



US00D446967B1

(12) **United States Design Patent**  
**Stravitz**

(10) **Patent No.:** **US D446,967 S**

(45) **Date of Patent:** **\*\* Aug. 28, 2001**

(54) **RACK WITH CURVED SIDES**

D. 400,926 \* 11/1998 Stravitz ..... D19/90

(76) **Inventor:** **David M. Stravitz**, 16 Park Ave., Suite  
14 A, New York, NY (US) 10016

\* cited by examiner

(\*\*) **Term:** **14 Years**

*Primary Examiner*—Nanda Bondade  
(74) *Attorney, Agent, or Firm*—Frishauf, Holtz, Goodman,  
Langer & Chick, P.C.

(21) **Appl. No.:** **29/128,827**

(57) **CLAIM**

(22) **Filed:** **Aug. 30, 2000**

The ornamental design for a rack with curved sides, as  
shown and described.

(51) **LOC (7) Cl.** ..... **06-99**

(52) **U.S. Cl.** ..... **D6/449; D19/90**

(58) **Field of Search** ..... D6/407, 449, 472,  
D6/475; D19/90, 91; 206/215, 425; 211/10,  
11, 40, 42, 50, 55; 220/4.33, 7

**DESCRIPTION**

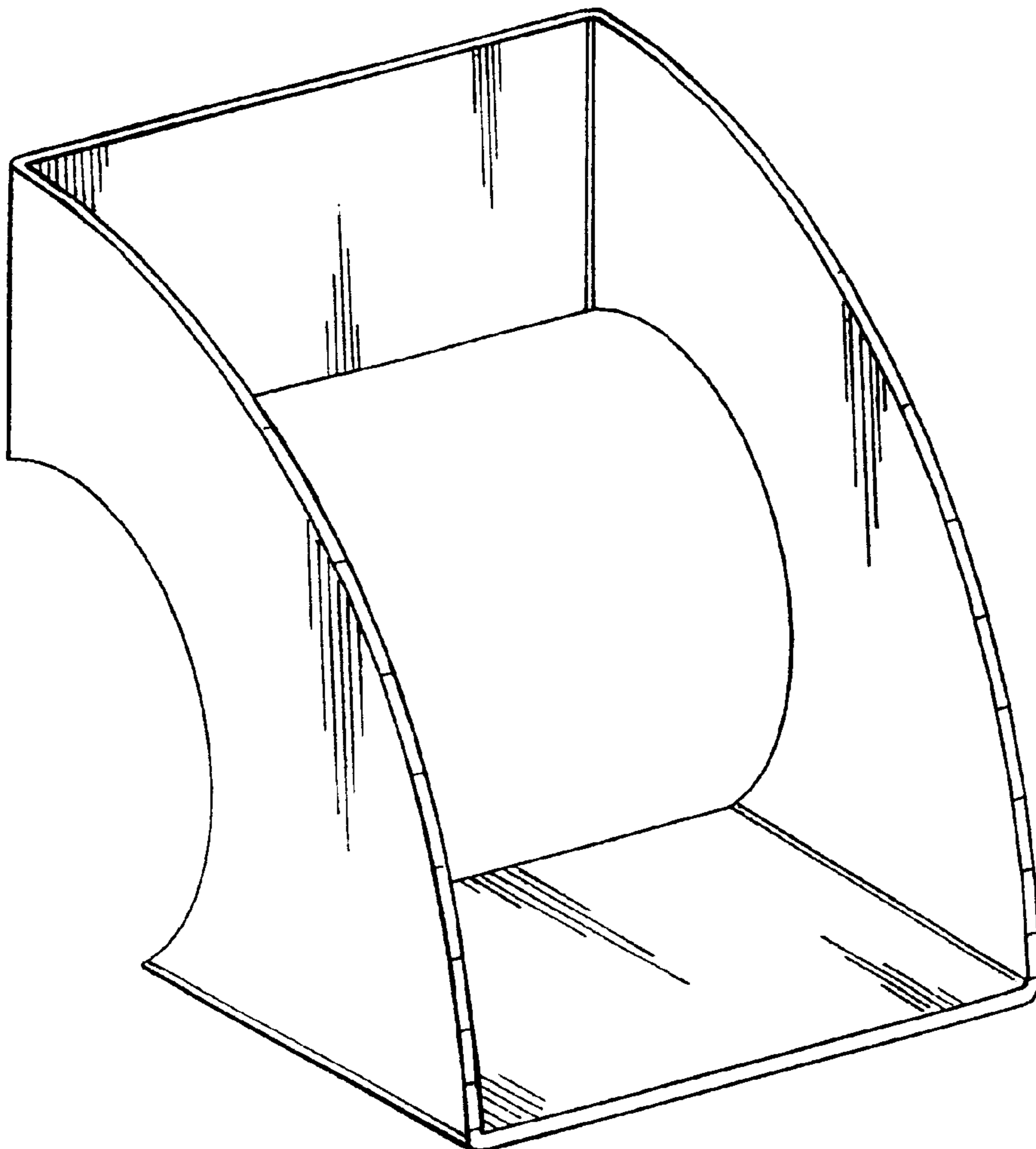
(56) **References Cited**

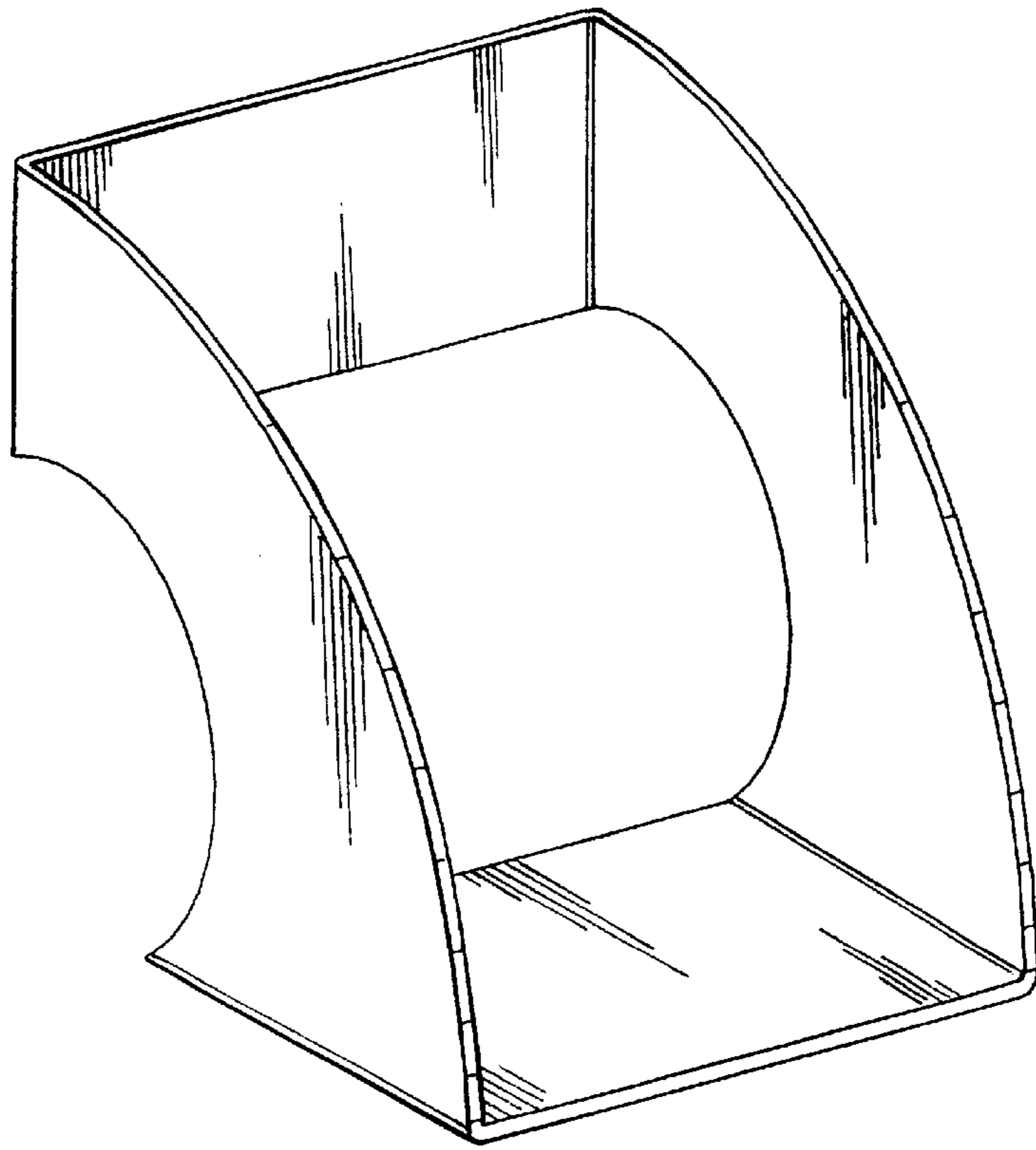
**U.S. PATENT DOCUMENTS**

- D. 299,389 \* 1/1989 Klodt ..... D6/407
- D. 314,215 \* 1/1991 Hawes, Jr. et al. .... D19/90
- D. 324,239 \* 2/1992 Halm ..... D19/91
- D. 328,761 \* 8/1992 Evenson ..... D6/407 X
- D. 385,921 \* 11/1997 Tisbo ..... D6/407 X

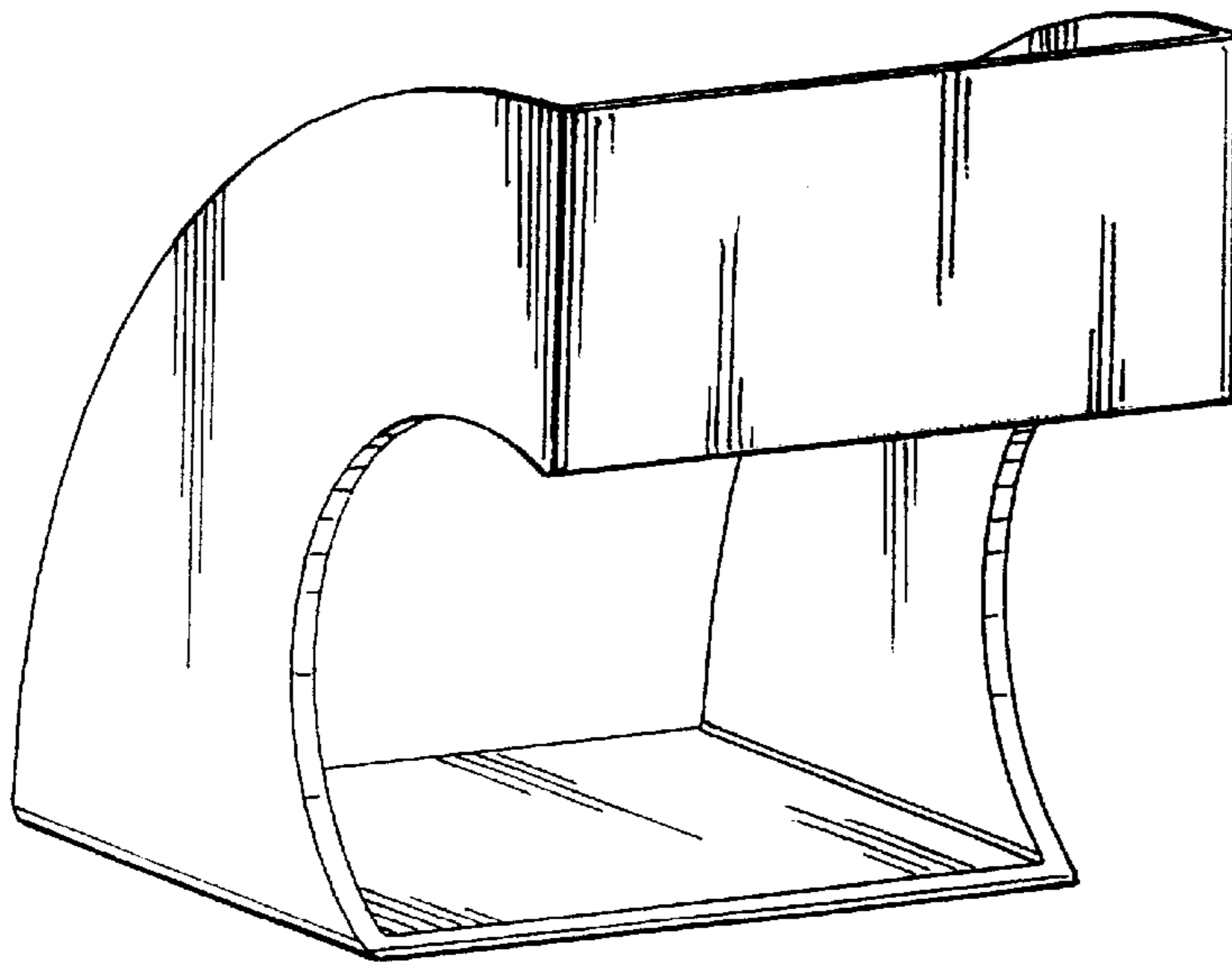
FIG. 1 is a top, front, left side perspective view of a rack with  
curved sides showing my new design  
FIG. 2 is a top, rear, right side perspective view thereof;  
FIG. 3 is a front elevational view thereof;  
FIG. 4 is a rear elevational view thereof;  
FIG. 5 is a right side elevational view, the left side eleva-  
tional view being a mirror image thereof;  
FIG. 6 is a top plan view thereof; and,  
FIG. 7 is a bottom pan view thereof.

**1 Claim, 3 Drawing Sheets**

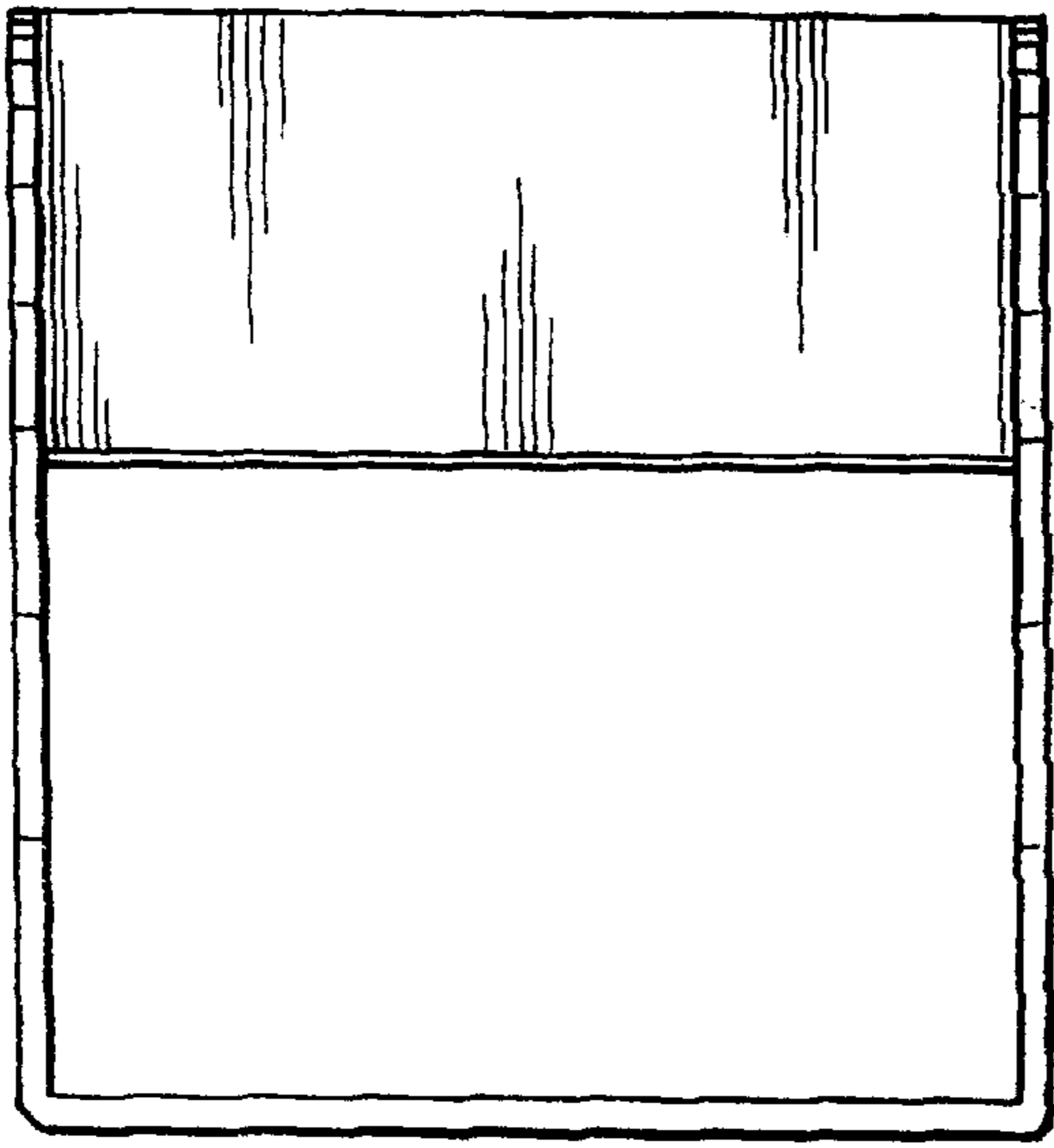




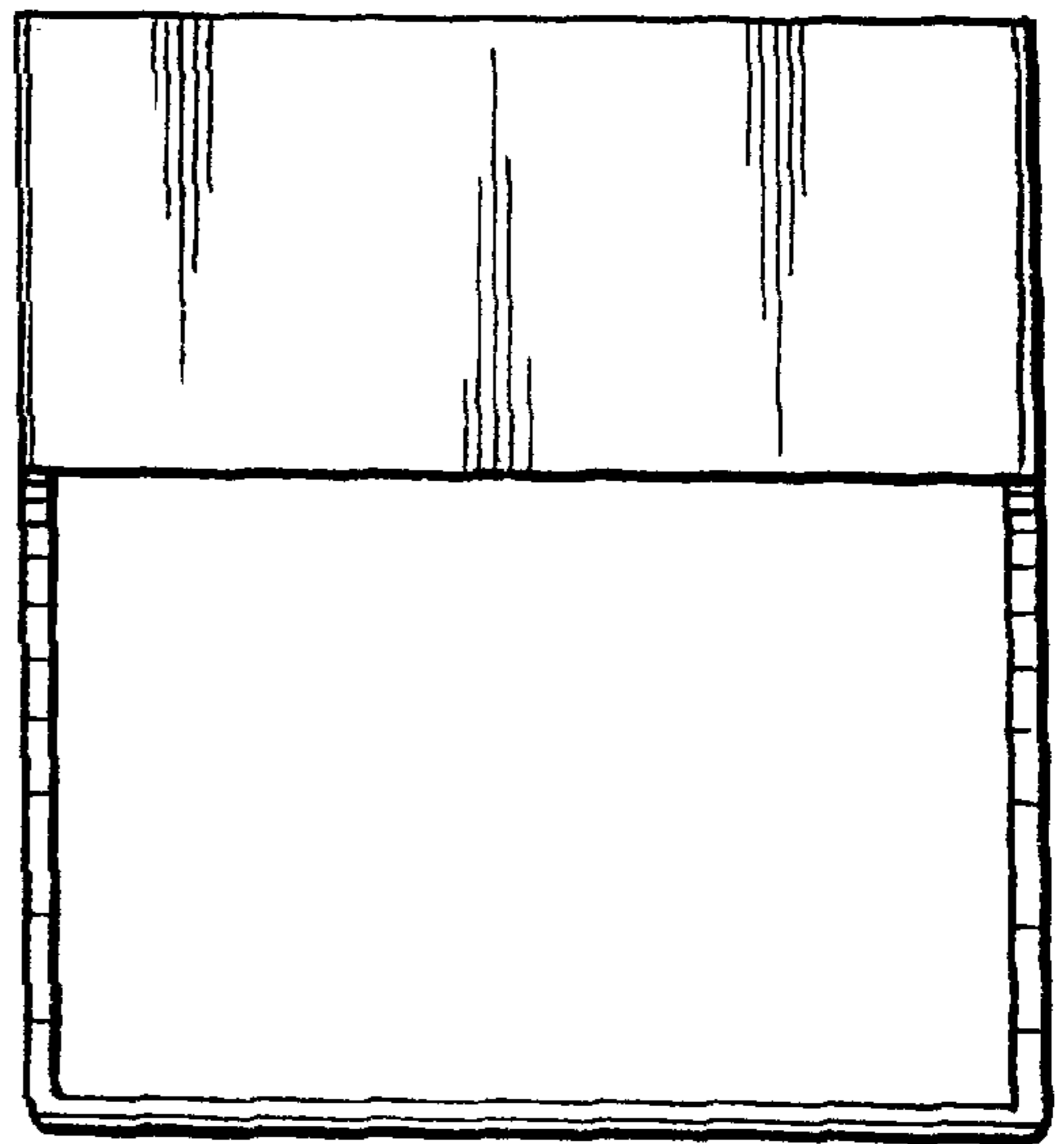
*Fig. 1*



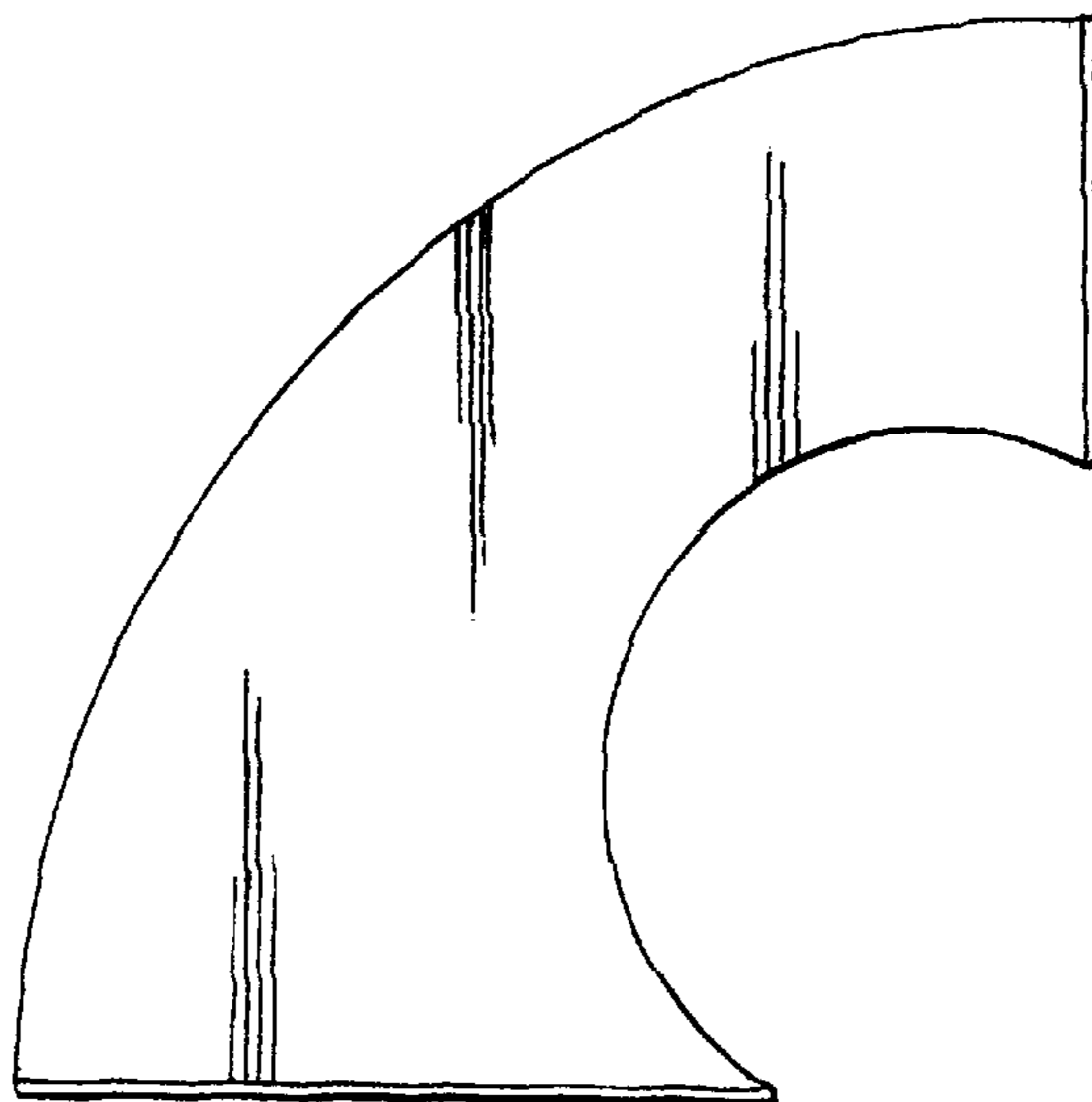
*Fig. 2*



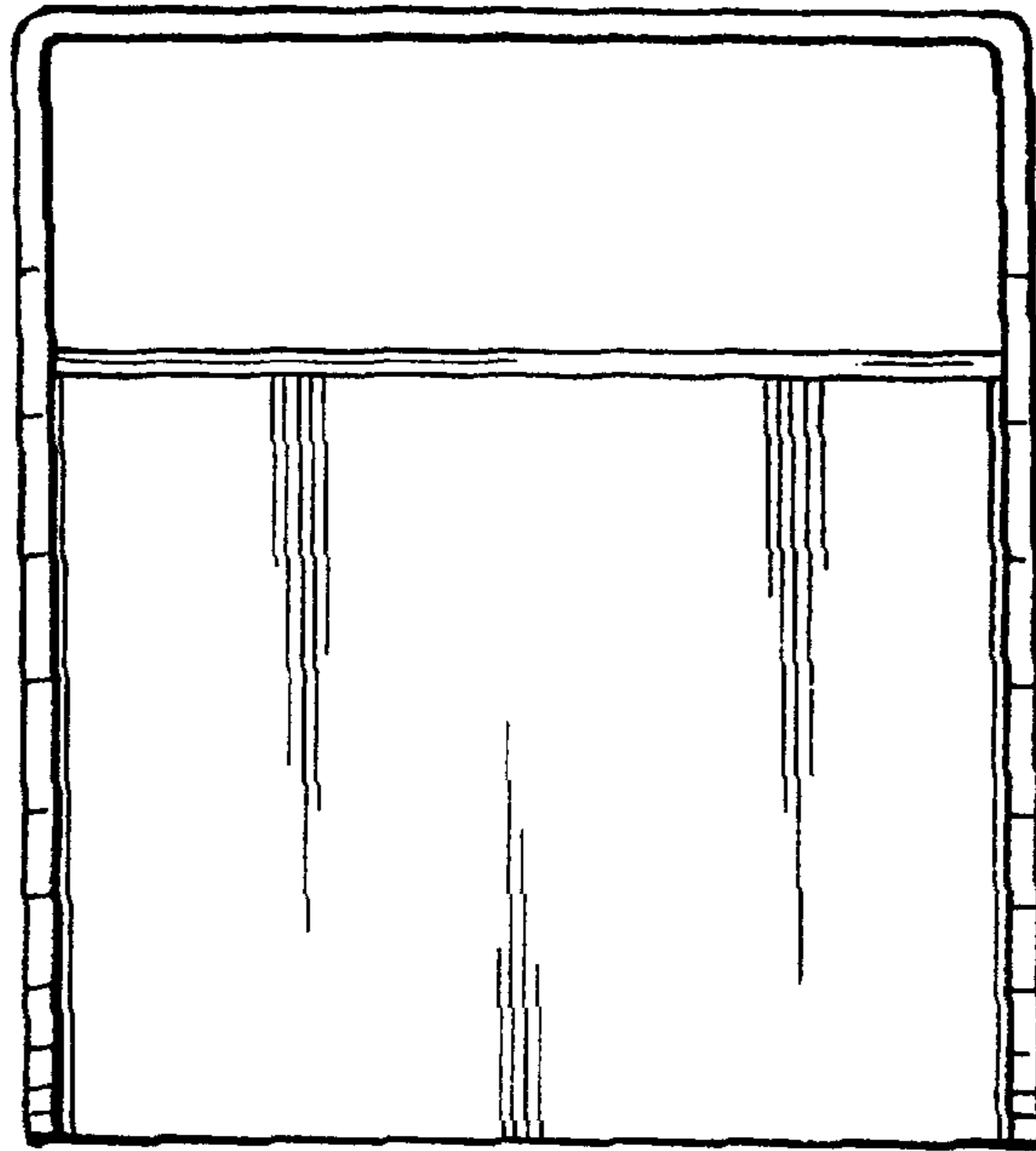
*Fig. 3*



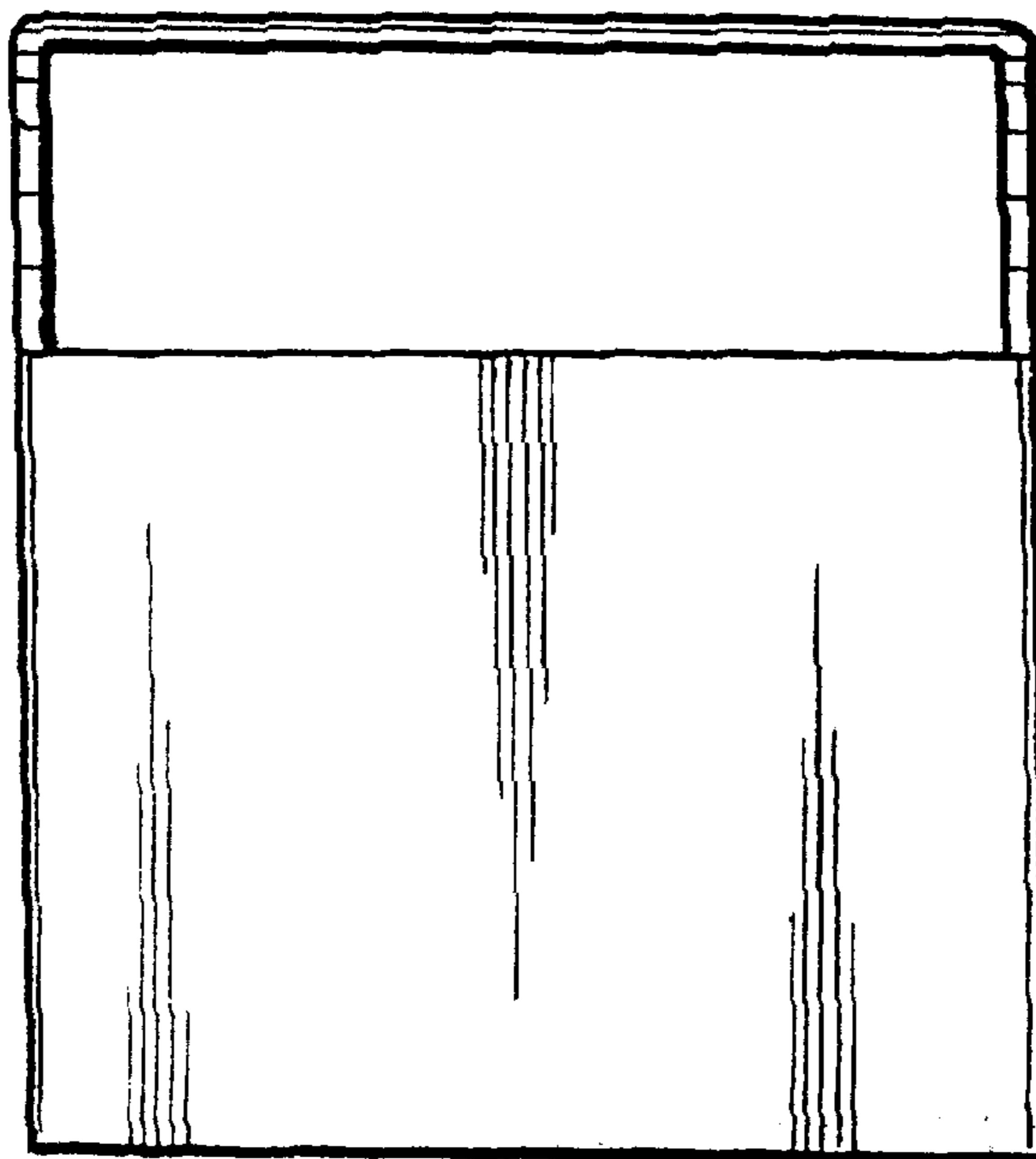
*Fig. 4*



*Fig. 5*



*Fig. 6*



*Fig. 7*