



US00D446960B1

(12) **United States Design Patent**
Lovegrove

(10) **Patent No.:** **US D446,960 S**

(45) **Date of Patent:** **** Aug. 28, 2001**

(54) **CHAIR**

(75) Inventor: **Ross Lovegrove, London (GB)**

(73) Assignee: **Bernhardt, L.L.C., Lenior, NC (US)**

(**) Term: **14 Years**

(21) Appl. No.: **29/122,125**

(22) Filed: **Apr. 17, 2000**

(51) **LOC (7) Cl.** **06-01**

(52) **U.S. Cl.** **D6/380**

(58) **Field of Search** D6/334, 374, 375,
D6/376, 379, 380, 500, 501, 502; 297/445.1,
446.1, 447.1

(56) **References Cited**

U.S. PATENT DOCUMENTS

- D. 174,623 * 5/1955 Helland D6/334
- D. 297,993 * 10/1988 Kaminski D6/380
- D. 298,090 * 10/1988 Kaminski D6/379
- D. 317,536 * 6/1991 Hess D6/380

- D. 321,994 * 12/1991 Scheper D6/379 X
- D. 324,786 * 3/1992 Saiger D6/379
- D. 396,966 * 8/1998 Good D6/379 X
- D. 422,423 * 4/2000 Lin D6/379 X
- D. 423,807 * 5/2000 Bartlmae D6/380

* cited by examiner

Primary Examiner—Gary D. Watson

(74) *Attorney, Agent, or Firm*—Rhodes & Mason, PLLC

(57) **CLAIM**

The ornamental design for a chair, as shown and described.

DESCRIPTION

FIG. 1 is a front perspective view of a chair showing my new design;

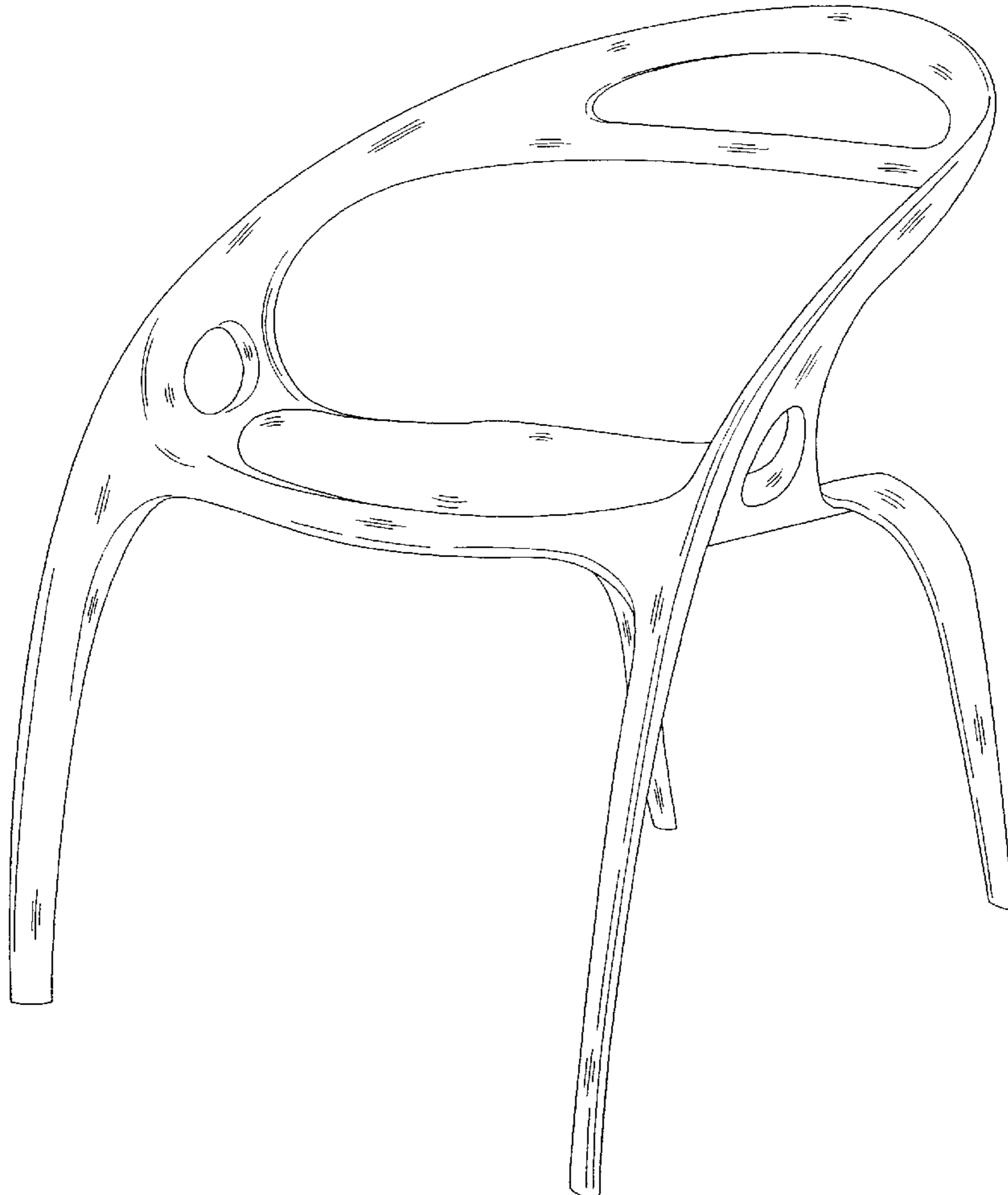
FIG. 2 is a rear perspective view of a chair;

FIG. 3 is a side perspective view, the opposite side being a mirror image thereof;

FIG. 4 is a front elevational view thereof; and,

FIG. 5 is a rear elevational view of the top portion of the chair.

1 Claim, 5 Drawing Sheets



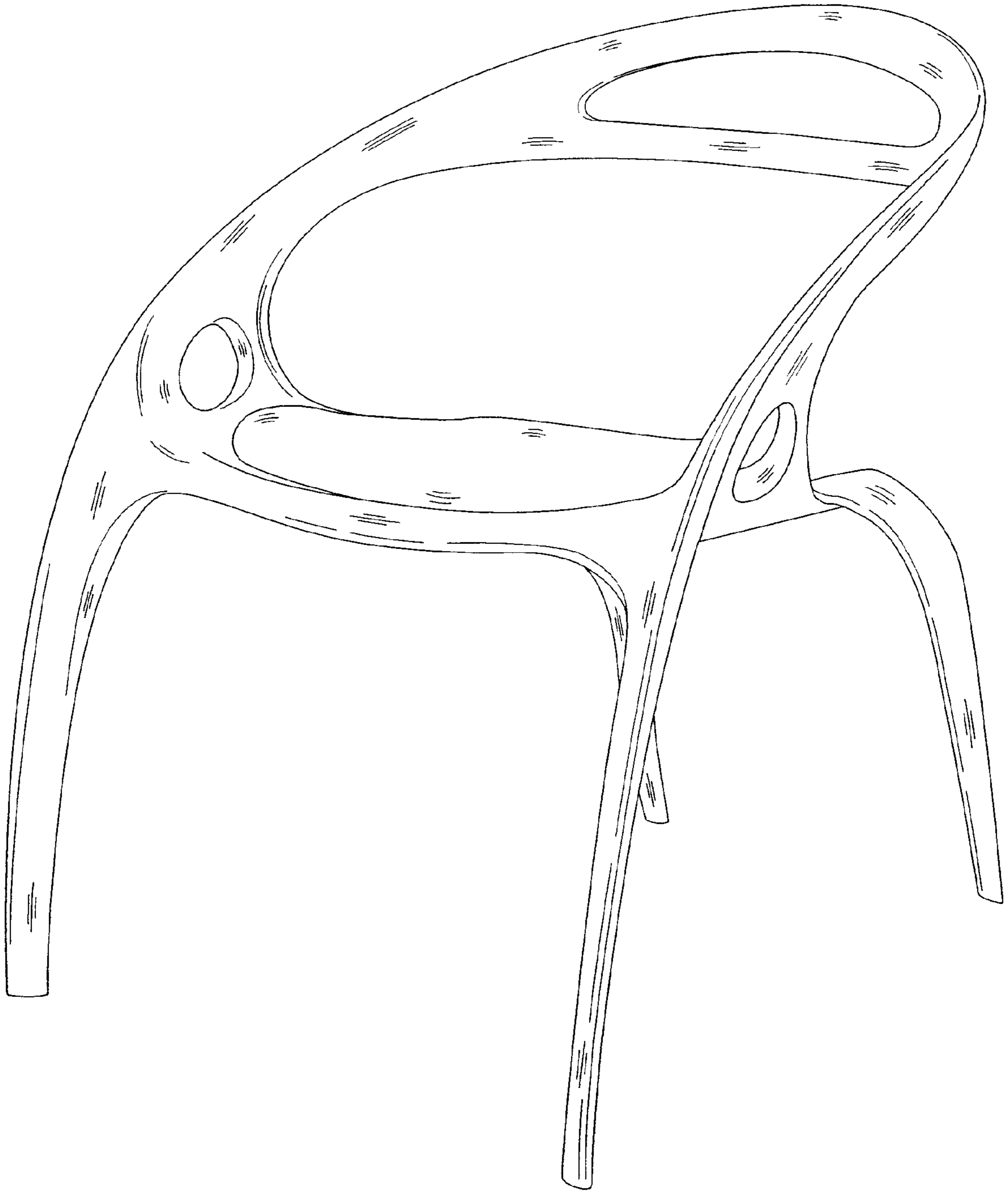


FIG. 1

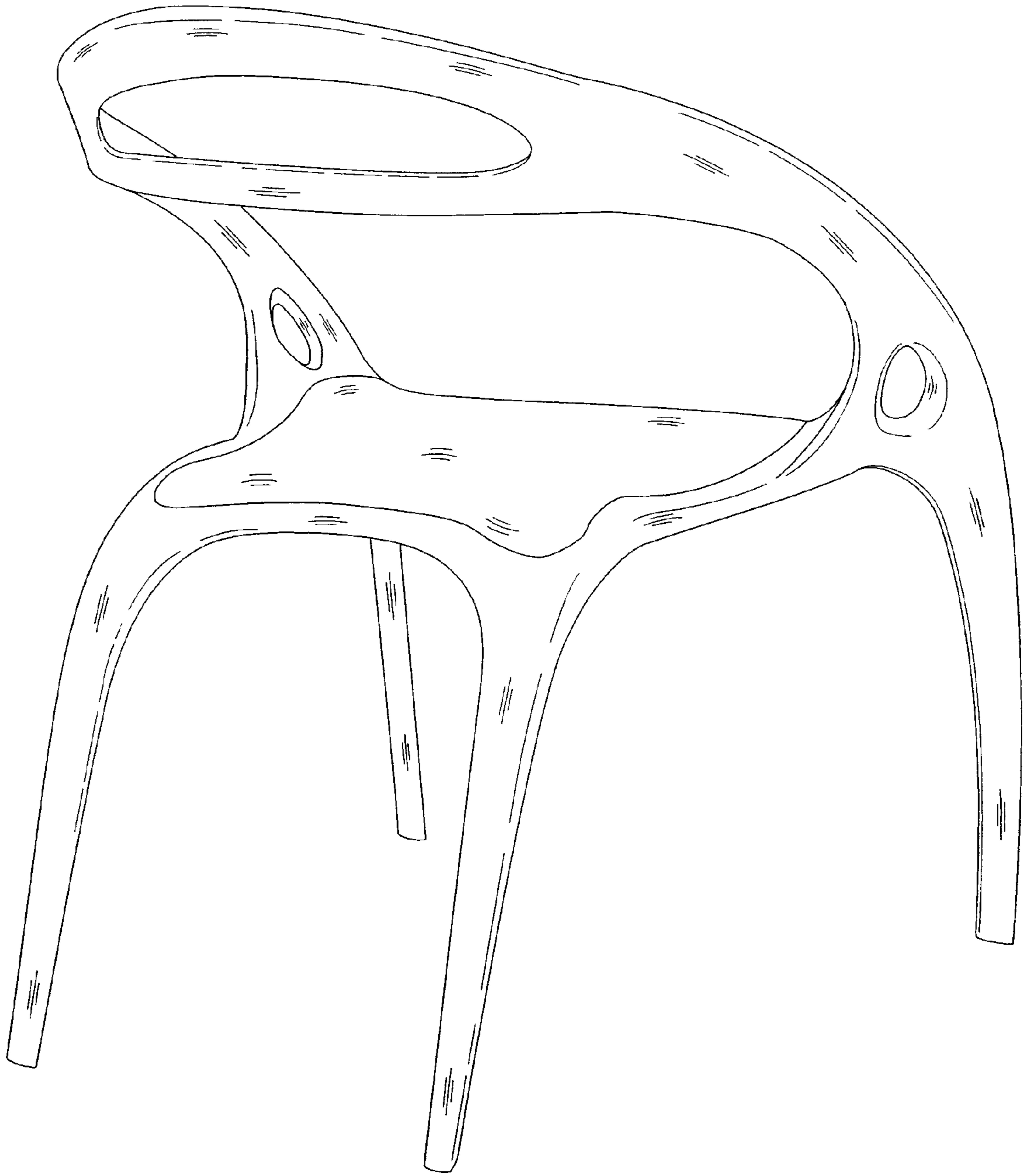


FIG. 2

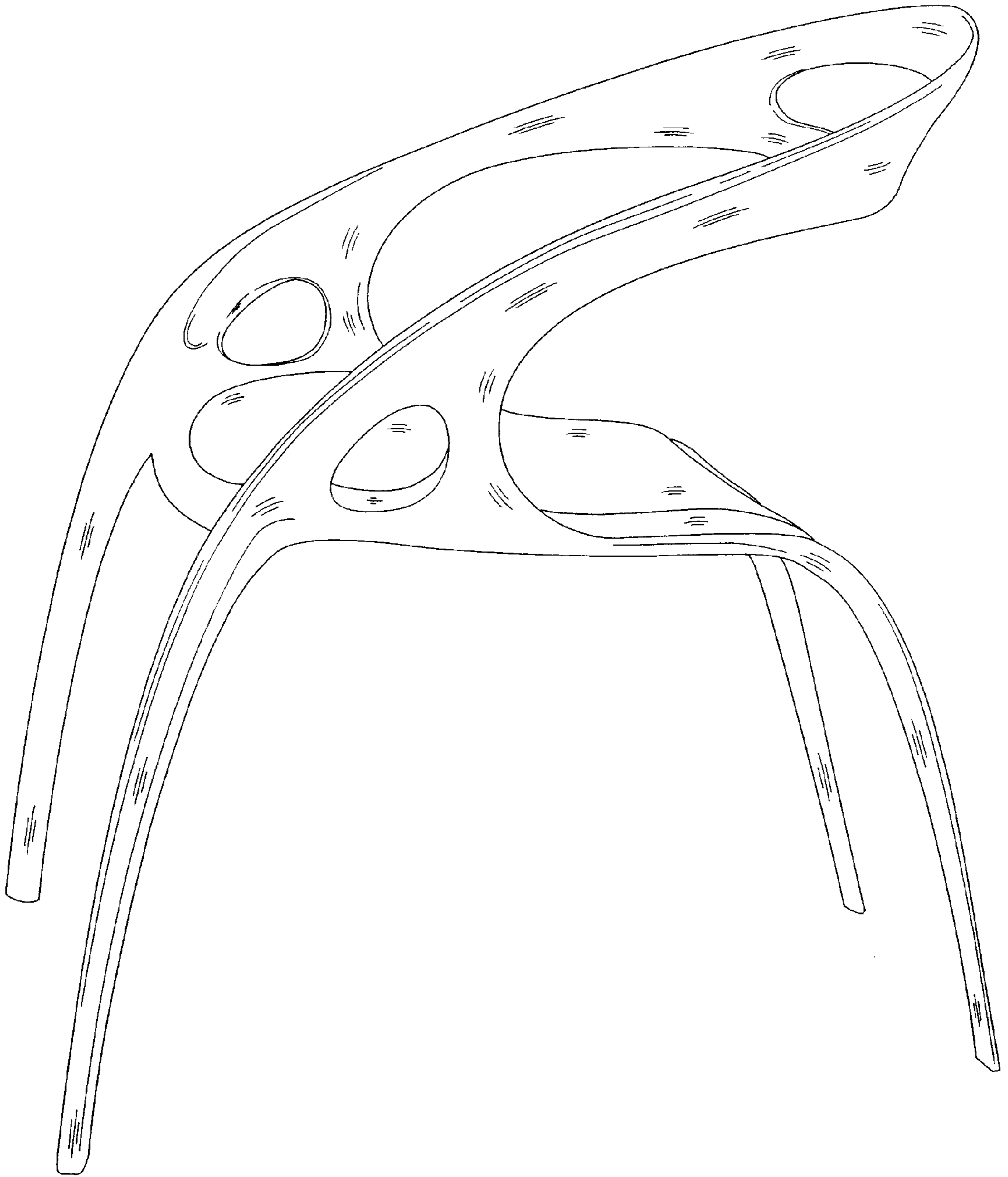


FIG. 3

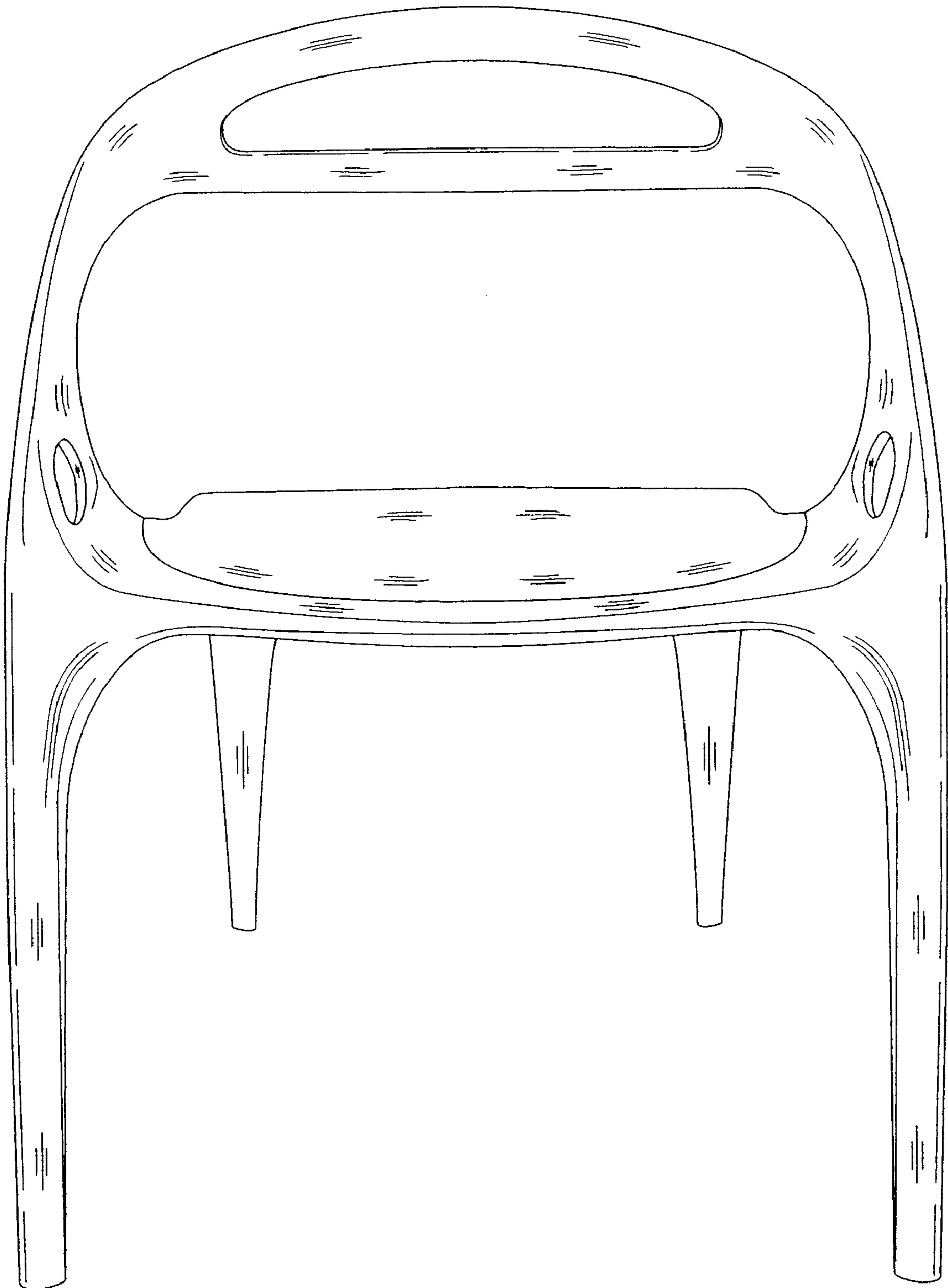


FIG. 4

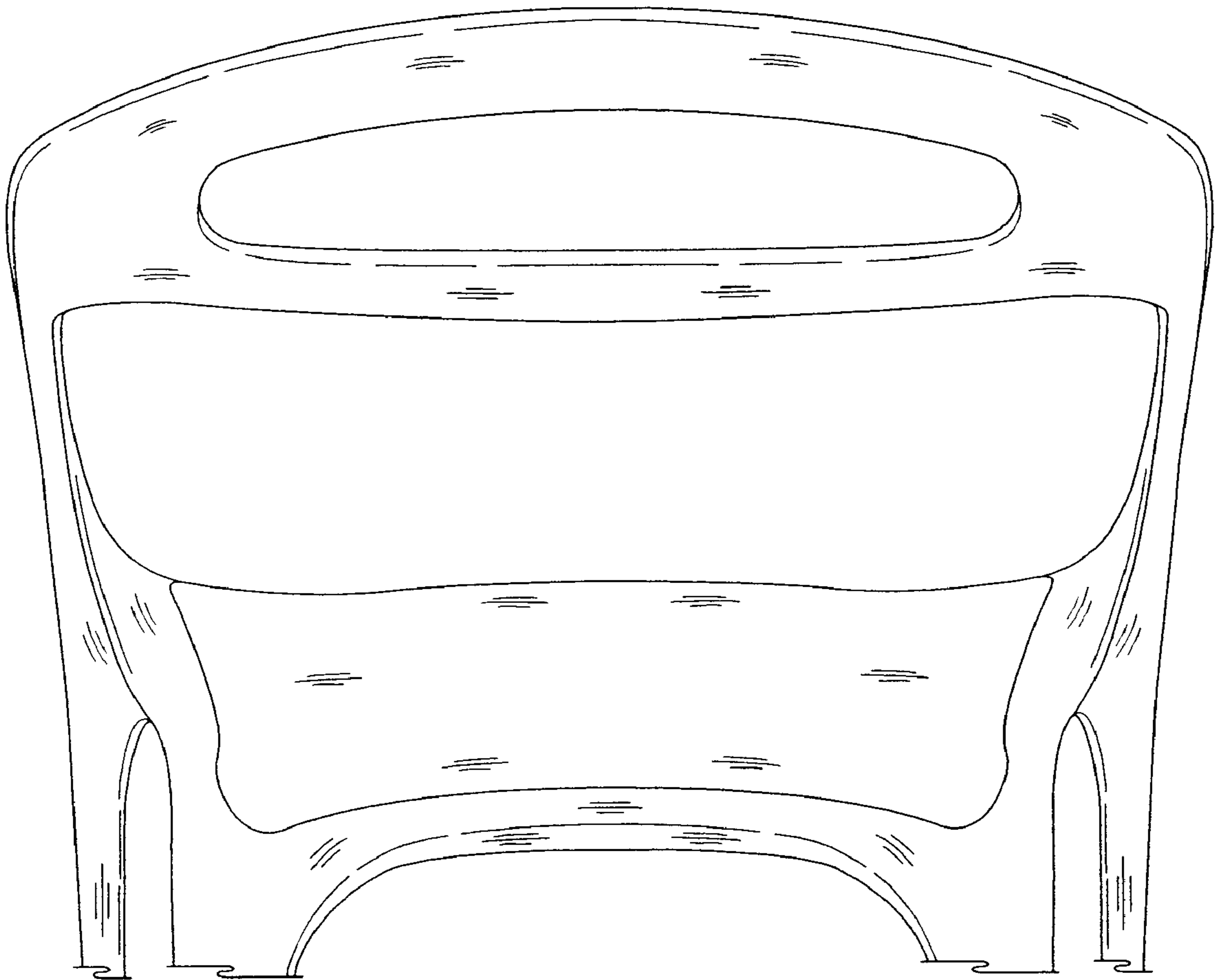


FIG. 5