



US00D446955B1

(12) **United States Design Patent**
Zemp

(10) **Patent No.:** **US D446,955 S**

(45) **Date of Patent:** **** Aug. 28, 2001**

(54) **CHAIR**

(75) Inventor: **Werner Zemp, Zurich (CH)**

(73) Assignee: **Giroflex Entwicklungs AG, Koblenz (CH)**

(**) Term: **14 Years**

(21) Appl. No.: **29/129,180**

(22) Filed: **Sep. 11, 2000**

(30) **Foreign Application Priority Data**

Mar. 13, 2000 (XH) DM/051 566

(51) **LOC (7) Cl.** **06-01**

(52) **U.S. Cl.** **D6/366**

(58) **Field of Search** D6/334, 335, 364,
D6/365, 366, 367, 500, 501, 502; 297/411.2,
411.27, 411.31

(56) **References Cited**

U.S. PATENT DOCUMENTS

D. 252,781 * 9/1979 Ball D6/366
D. 345,866 * 4/1994 Barker D6/366

D. 351,291 * 10/1994 Völkle D6/366
D. 354,631 * 1/1995 Orlandini et al. D6/366
D. 394,961 * 6/1998 Fancelli D6/366
D. 403,520 * 1/1999 Wilson D6/366
D. 410,799 * 6/1999 Meda D6/366
D. 437,701 * 2/2001 Bellini et al. D6/366

* cited by examiner

Primary Examiner—Gary D. Watson

(74) *Attorney, Agent, or Firm*—Greenblum & Bernstein,
P.L.C.

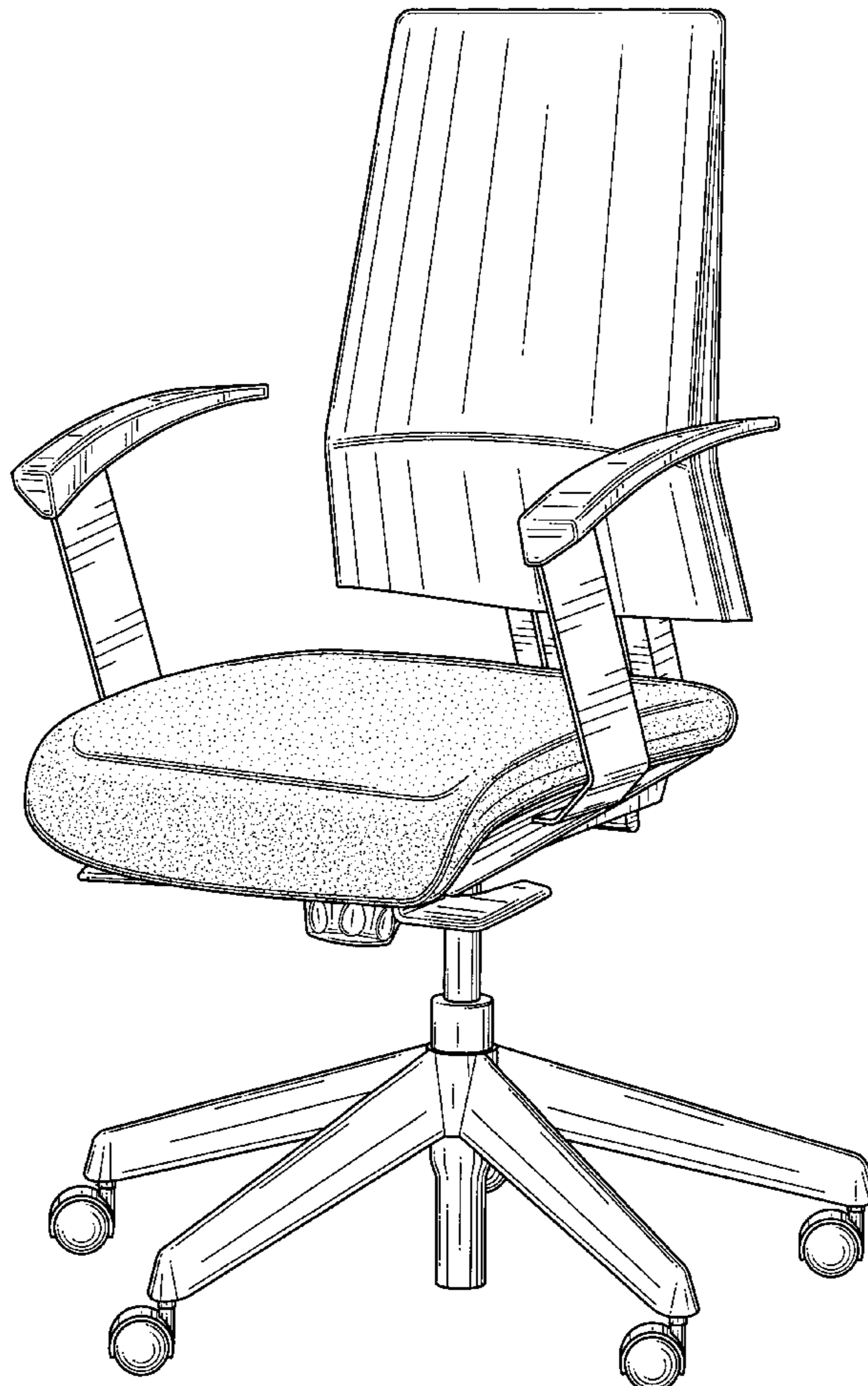
(57) **CLAIM**

The ornamental design for a chair, as shown and described.

DESCRIPTION

FIG. 1 is a front perspective of the left side thereof;
FIG. 2 is a front end view thereof;
FIG. 3 is a rear end view thereof;
FIG. 4 is a right side view thereof;
FIG. 5 is left side view thereof;
FIG. 6 is a top side view thereof; and,
FIG. 7 is a bottom plan view thereof.

1 Claim, 7 Drawing Sheets



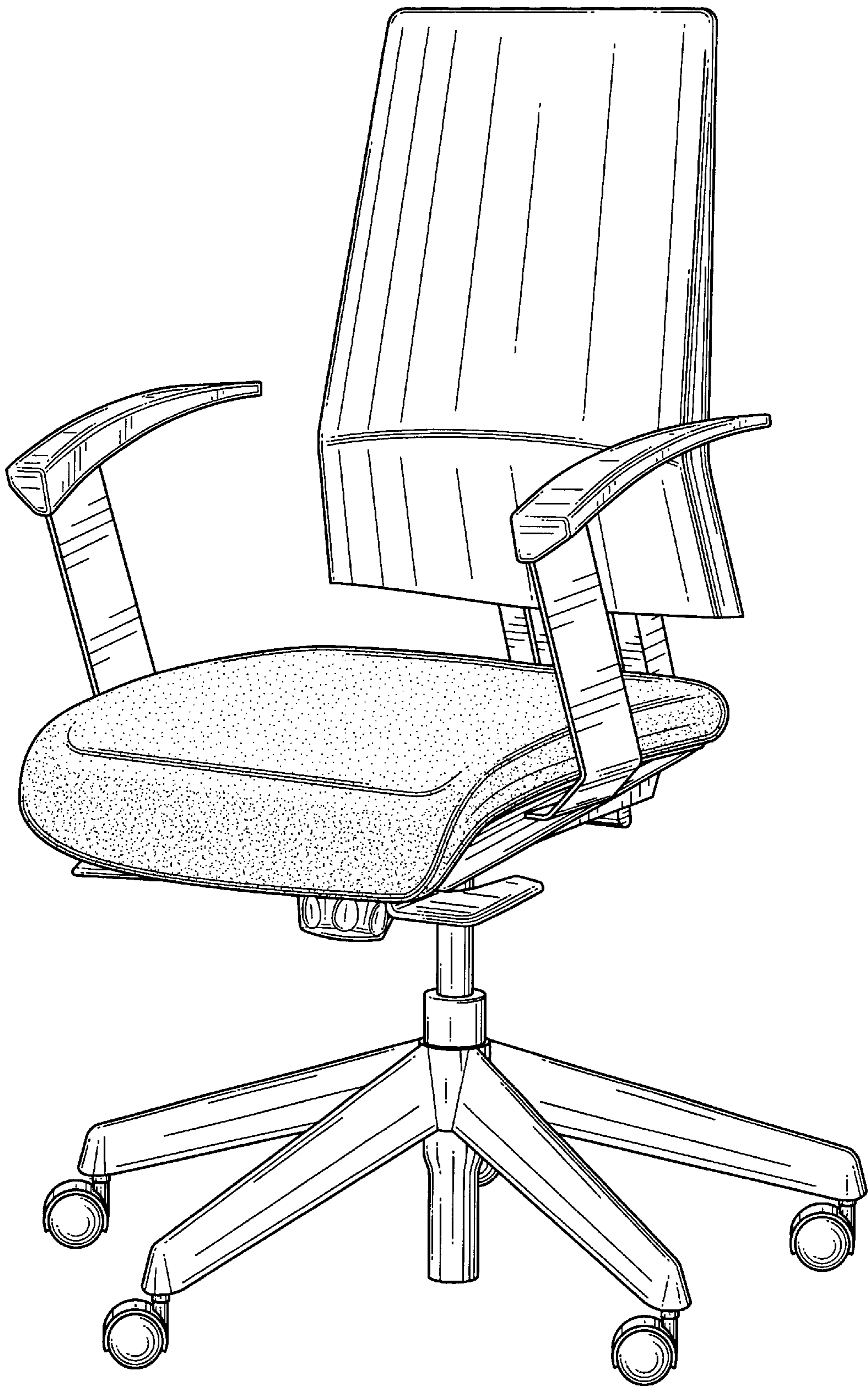


FIG. 1

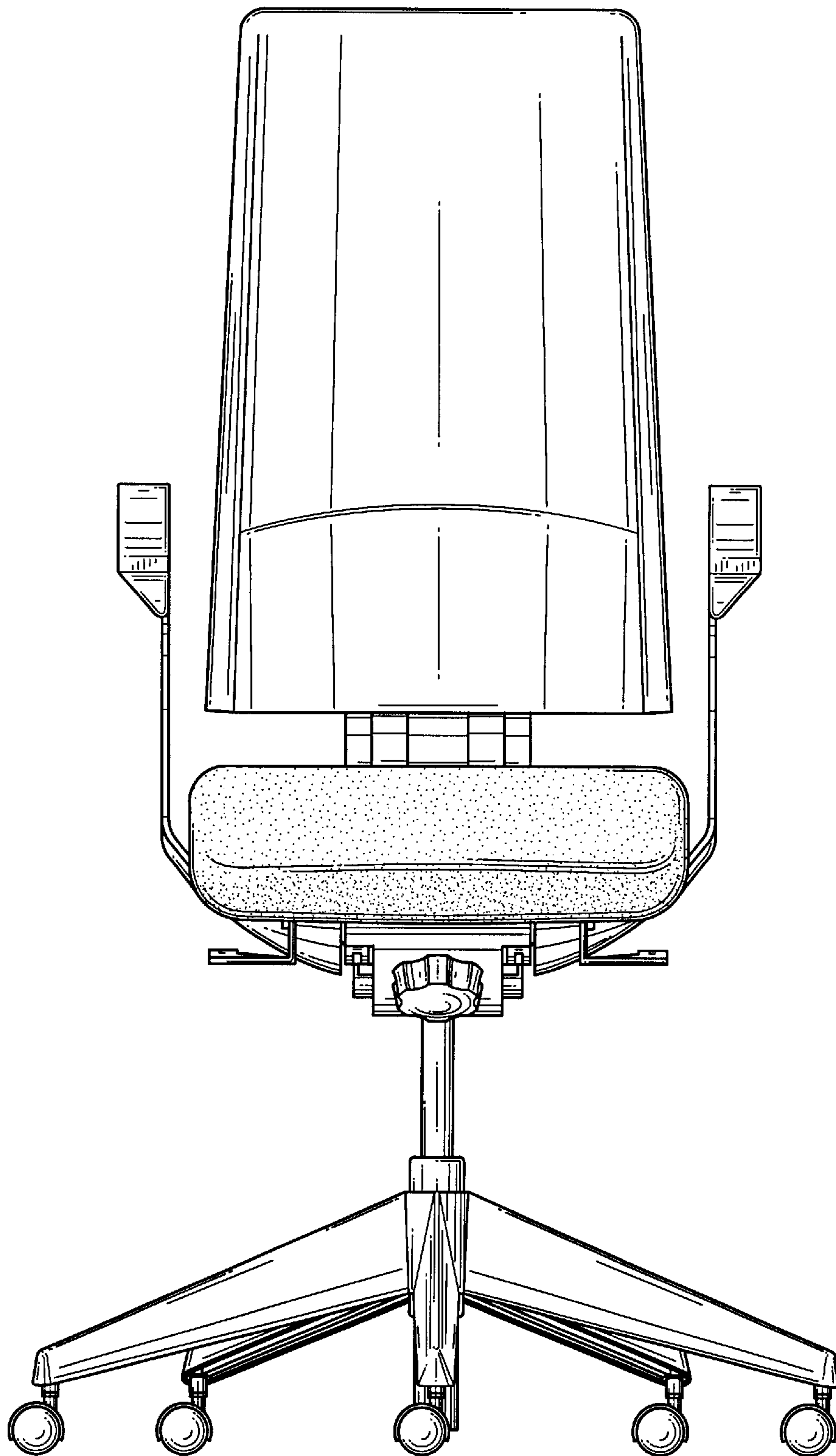


FIG. 2

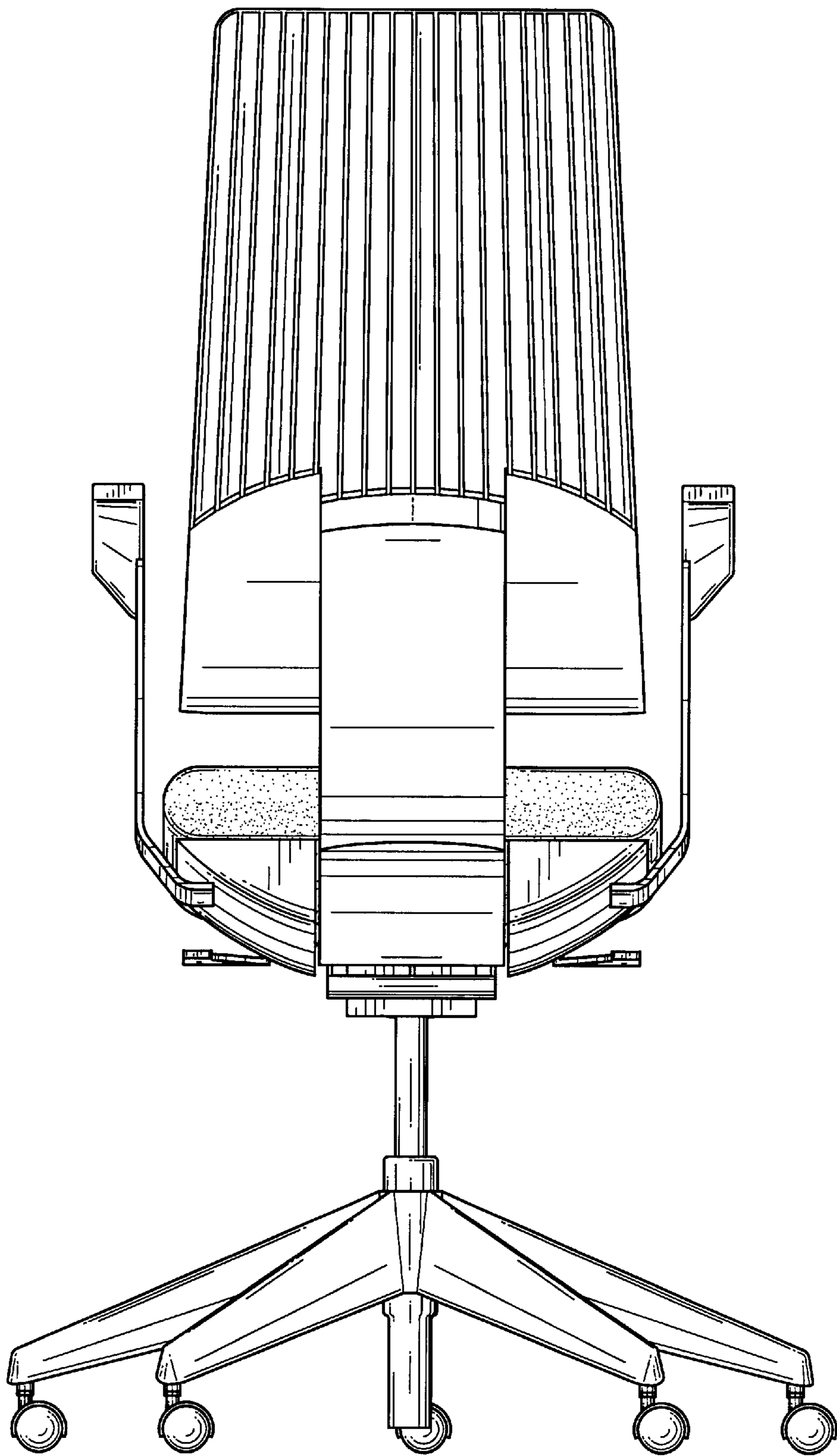


FIG. 3

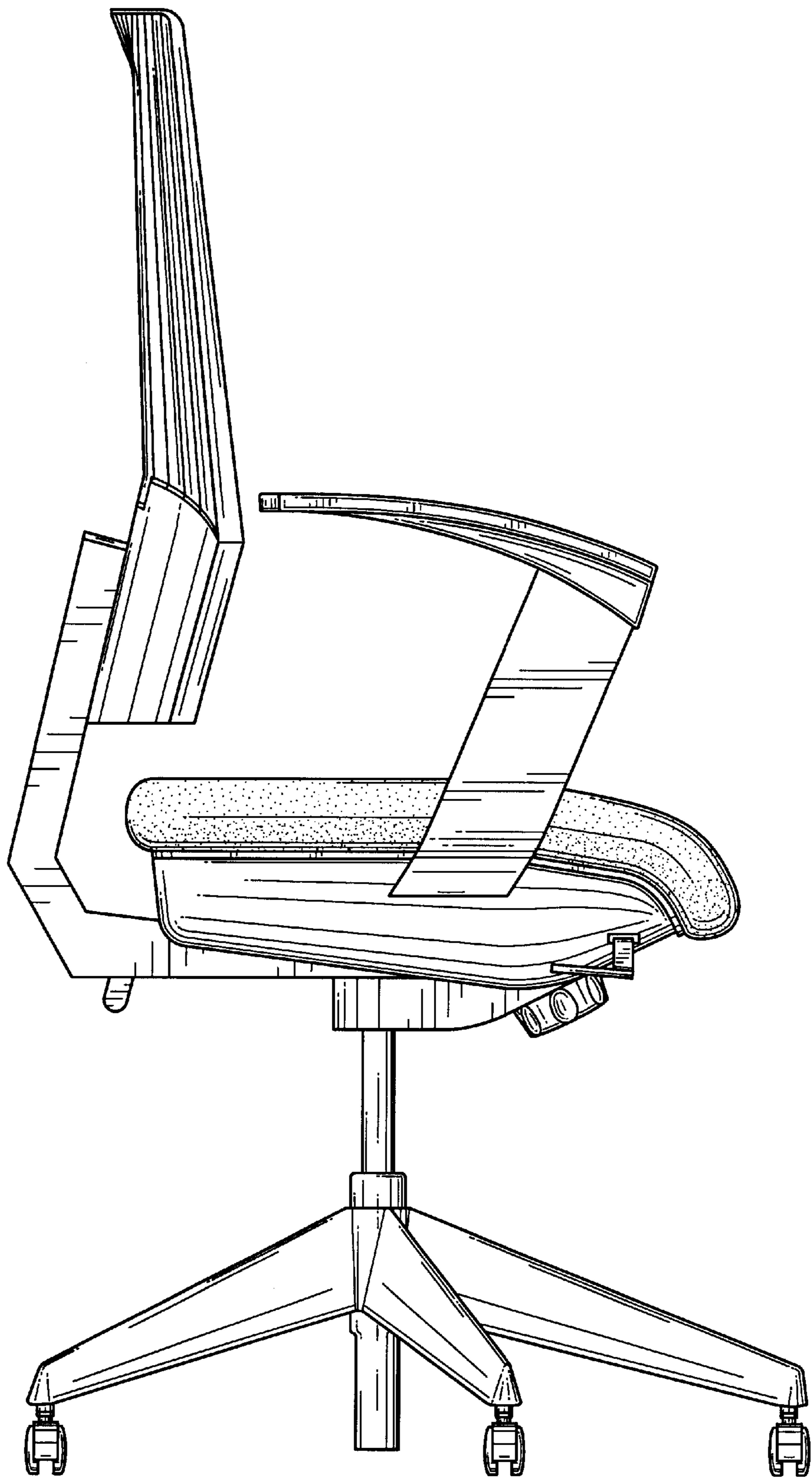


FIG. 4

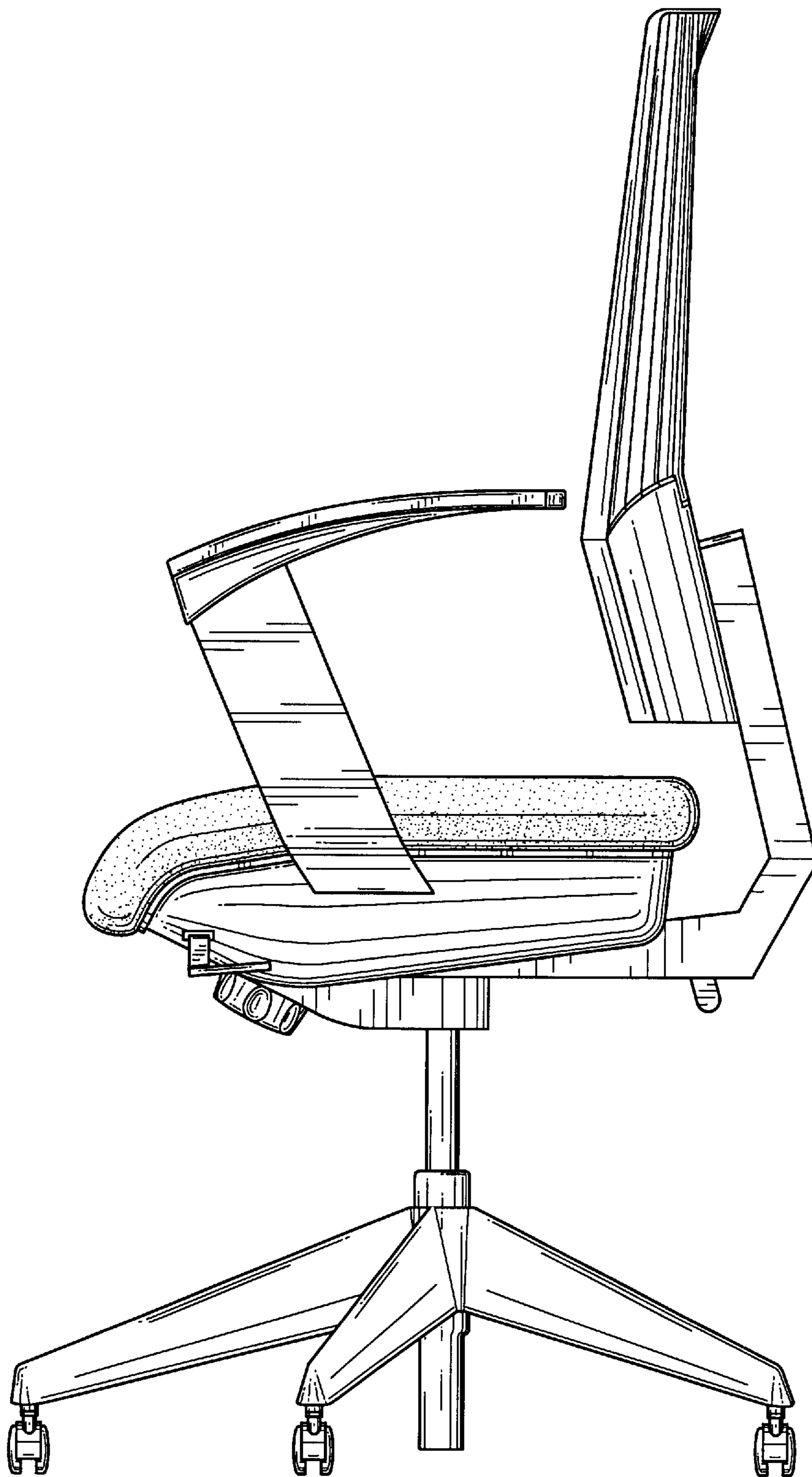


FIG. 5

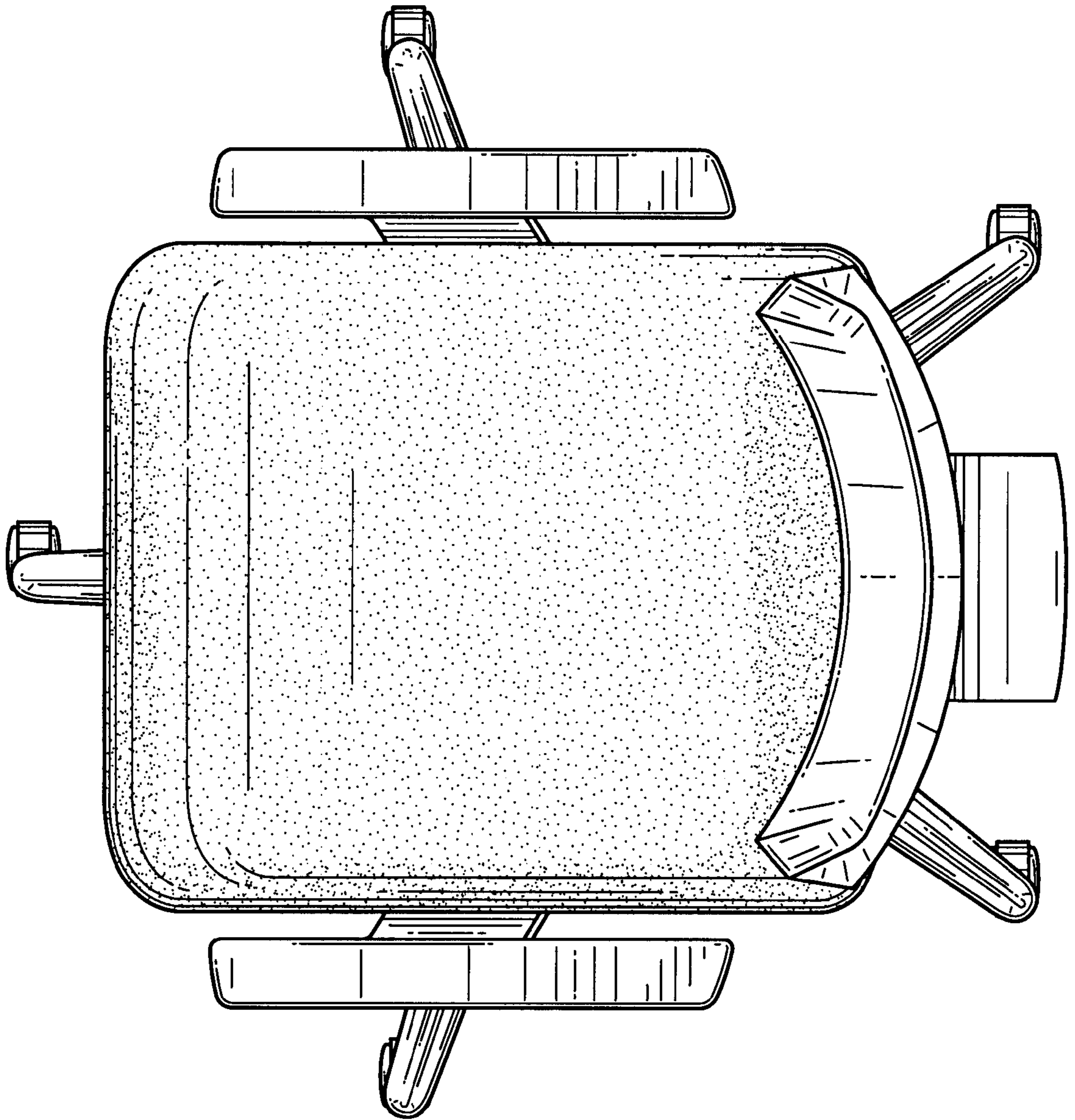


FIG. 6

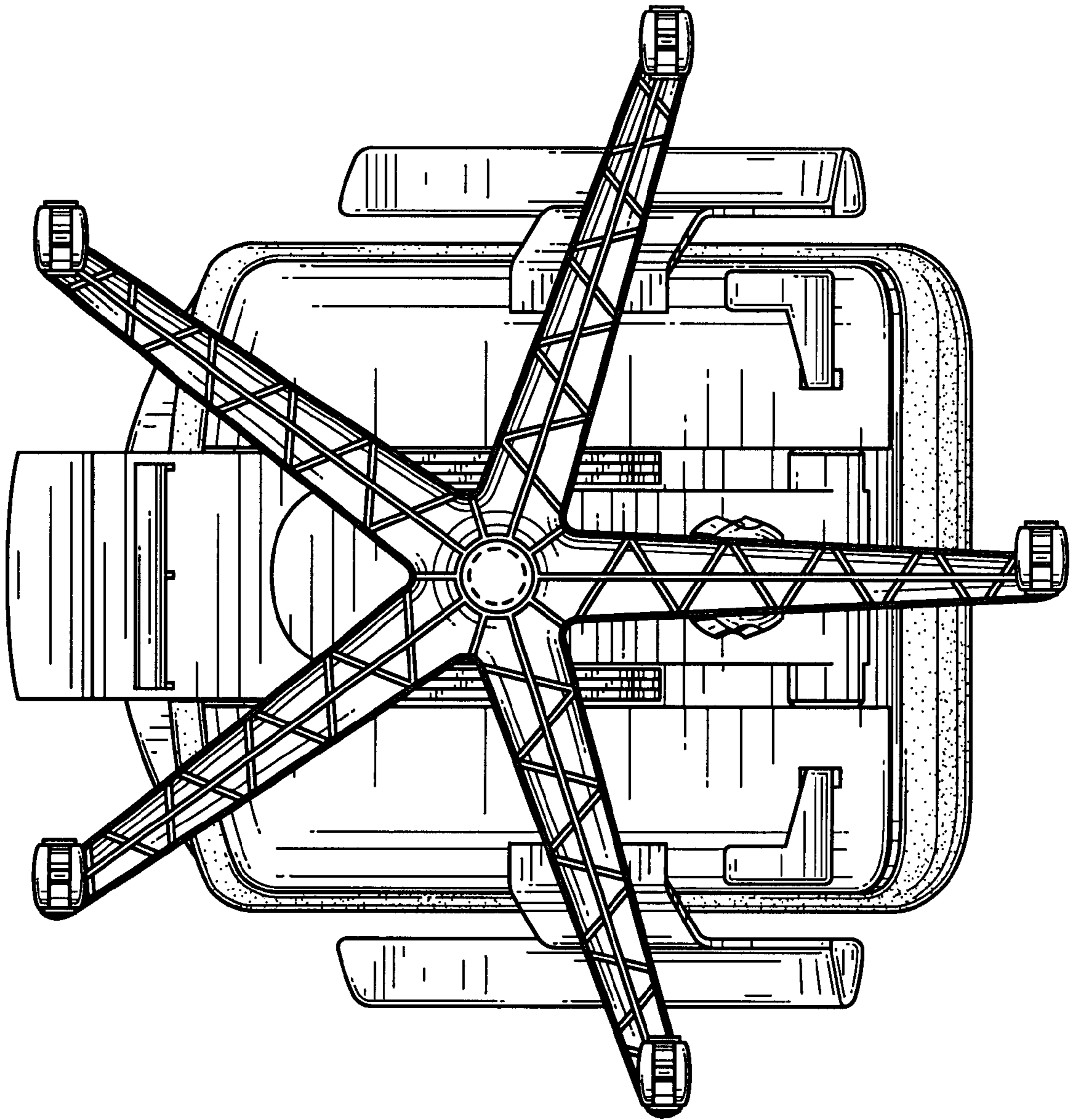


FIG. 7