



US00D446954B1

(12) **United States Design Patent**
Sottsass

(10) **Patent No.:** **US D446,954 S**

(45) **Date of Patent:** **** Aug. 28, 2001**

(54) **SWIVELING OFFICE ARMCHAIR**

(75) Inventor: **Ettore Sottsass**, Milan (IT)

(73) Assignee: **ICF S.p.A.**, Vignate (IT)

(**) Term: **14 Years**

(21) Appl. No.: **29/111,966**

(22) Filed: **Oct. 8, 1999**

(30) **Foreign Application Priority Data**

Apr. 12, 1999 (IT) MI9900186

(51) **LOC (7) Cl.** **06-01**

(52) **U.S. Cl.** **D6/366**

(58) **Field of Search** D6/334, 335, 364,
D6/365, 366, 367, 379, 500, 501, 502;
297/411.2, 411.29

(56) **References Cited**

U.S. PATENT DOCUMENTS

D. 335,398 * 5/1993 Heidmann D6/366

D. 346,279 * 4/1994 Stumpf et al. D6/366

D. 400,018 * 10/1998 James et al. D6/366

D. 408,661 * 4/1999 Whalen D6/500

D. 417,793 * 12/1999 Ritch et al. D6/366

* cited by examiner

Primary Examiner—Gary D. Watson

(74) *Attorney, Agent, or Firm*—Nixon & Vanderhye, P.C.

(57) **CLAIM**

The ornamental design for a swiveling office armchair, as shown and described.

DESCRIPTION

FIG. 1 is a front elevational view of a swiveling office armchair according to my design;

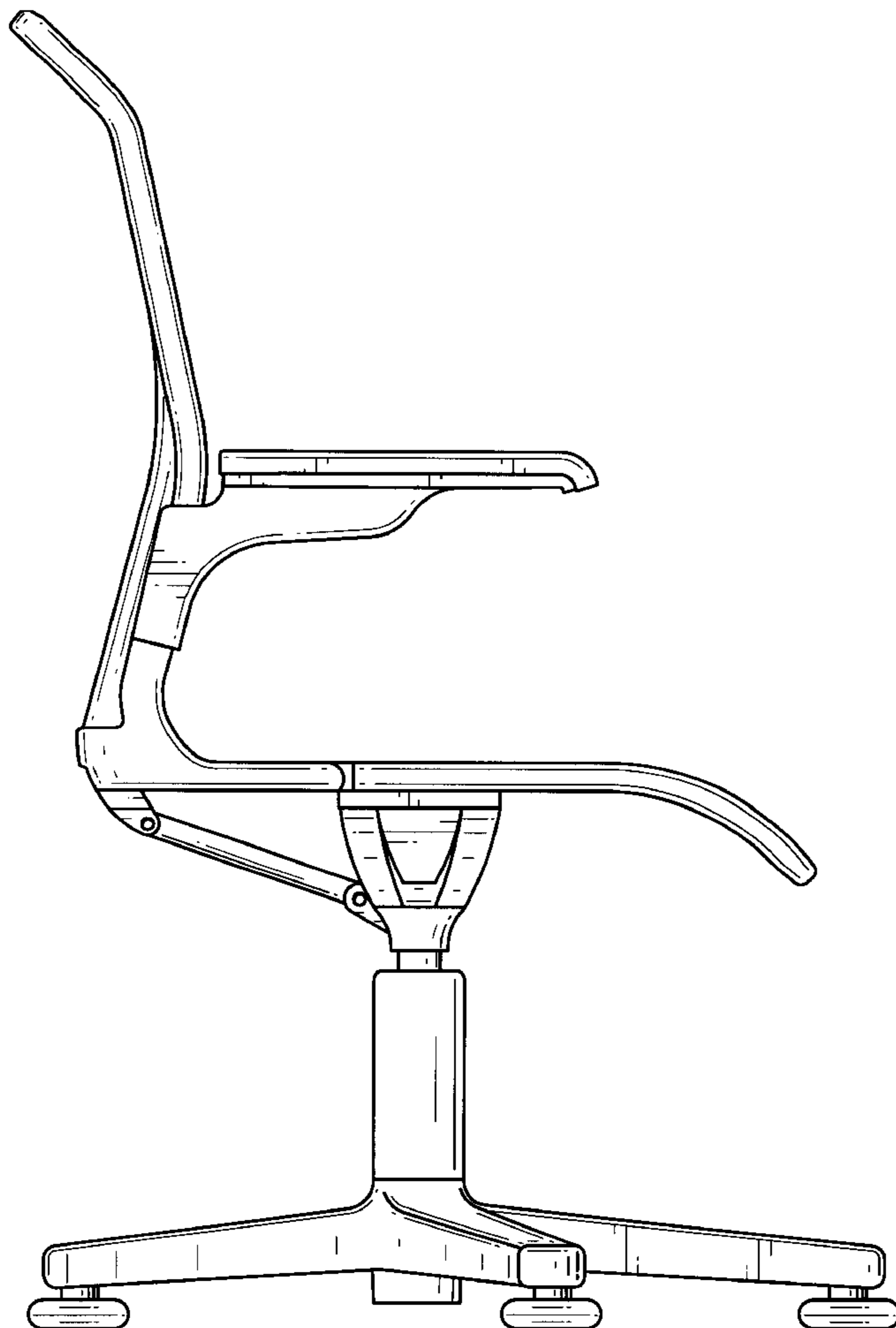
FIG. 2 is a left side elevational view thereof, the right side elevational view being a mirror image thereof;

FIG. 3 is a rear elevational view thereof;

FIG. 4 is a top plan view thereof; and,

FIG. 5 is a bottom plan view thereof.

1 Claim, 5 Drawing Sheets



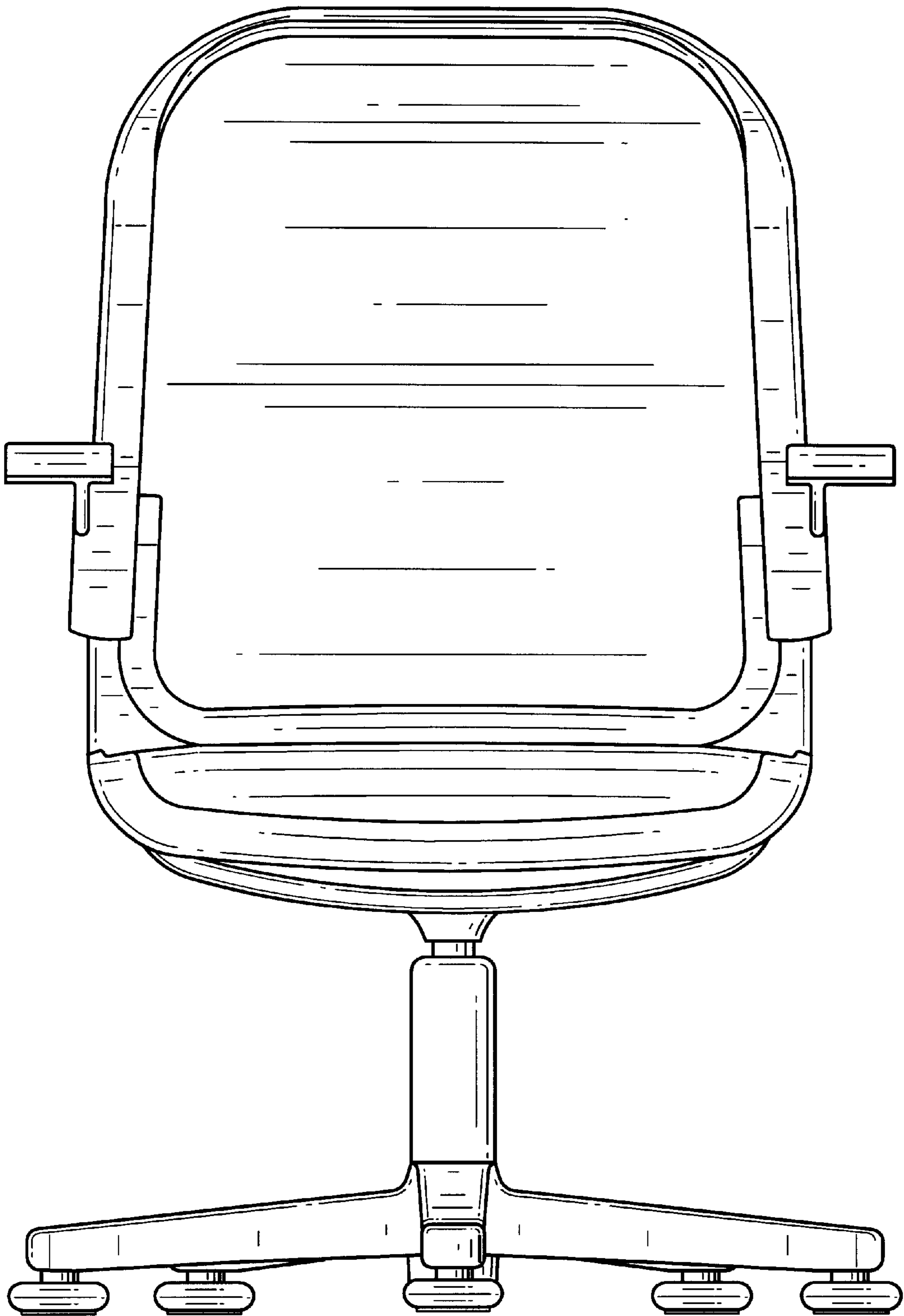


Fig. 1

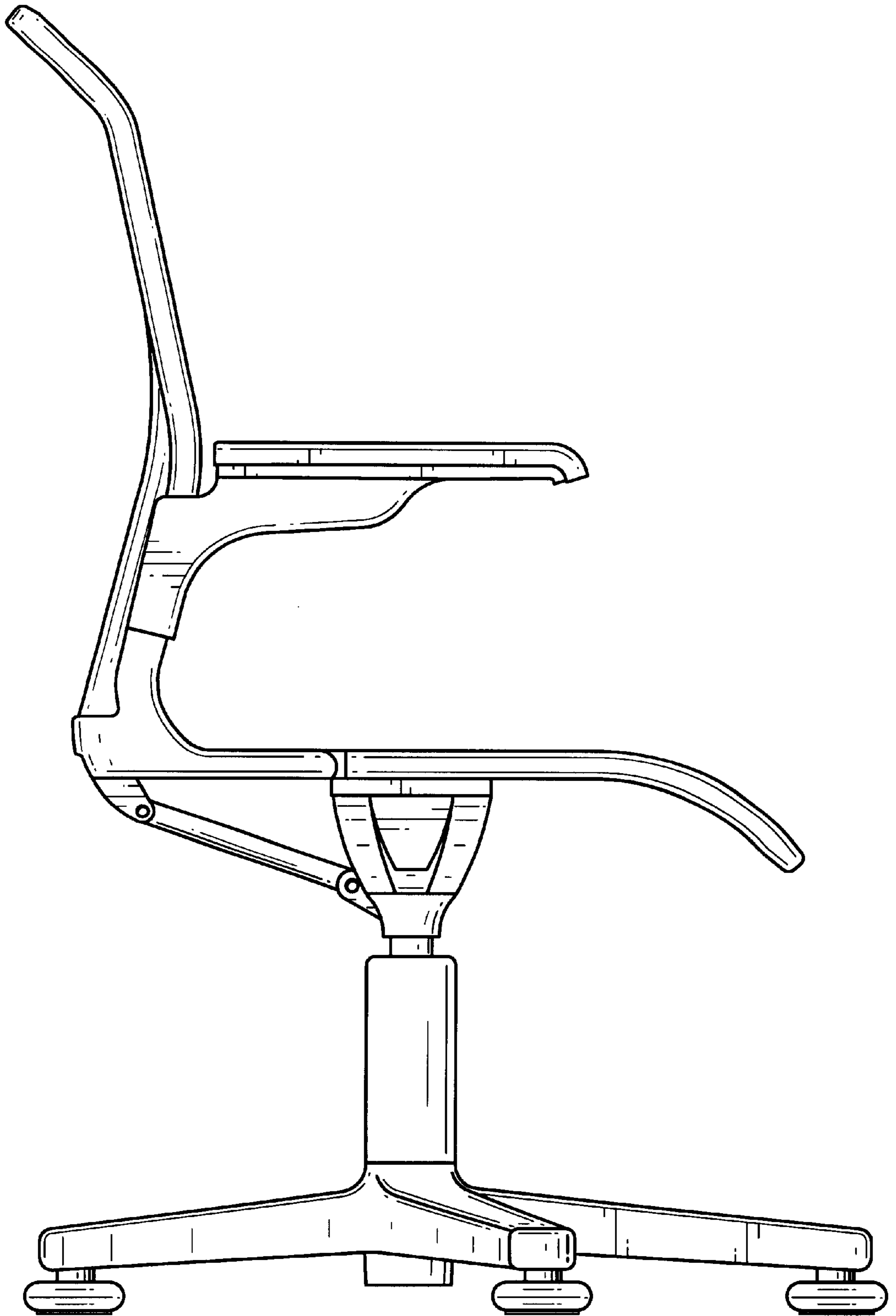


Fig. 2

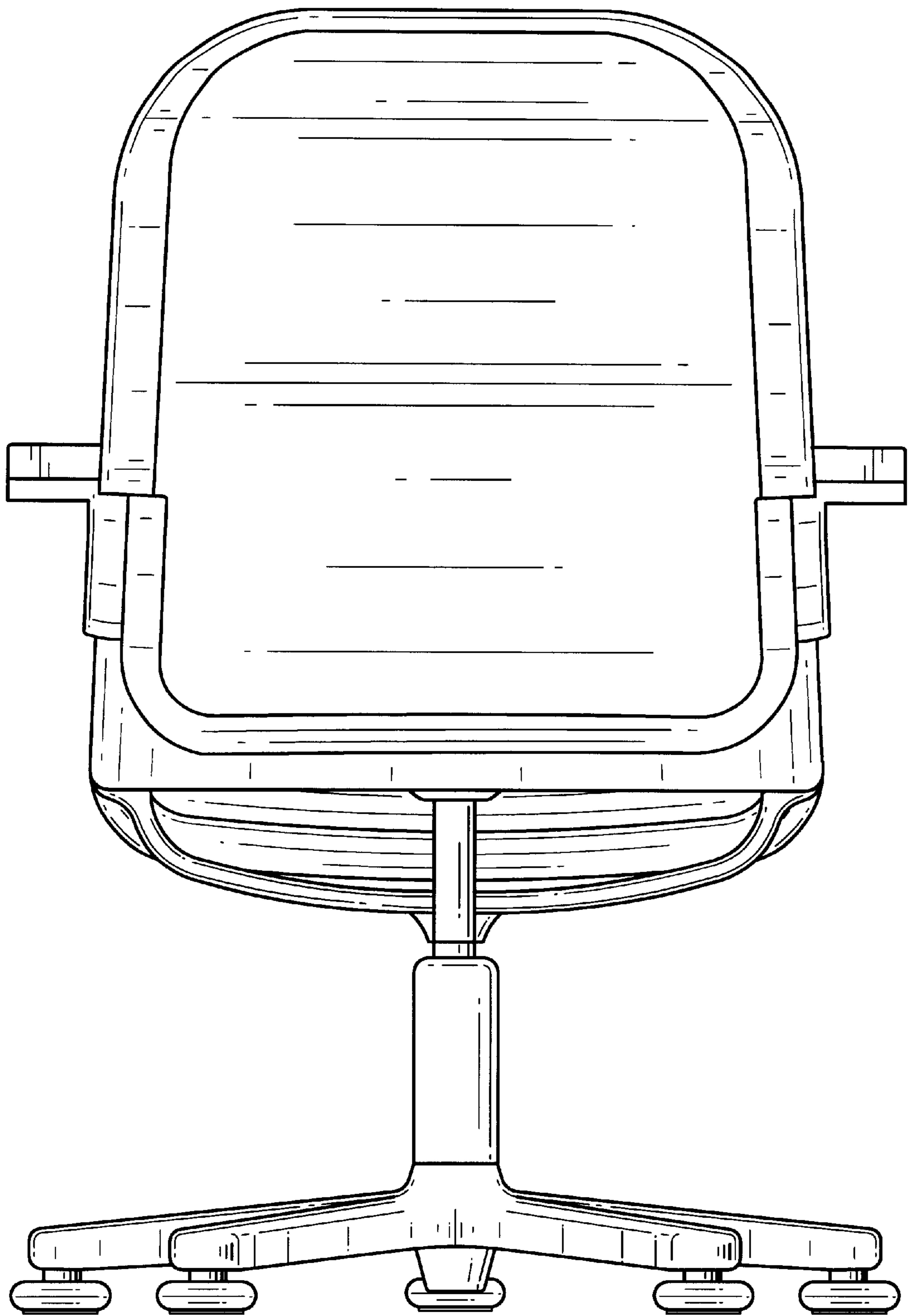


Fig. 3

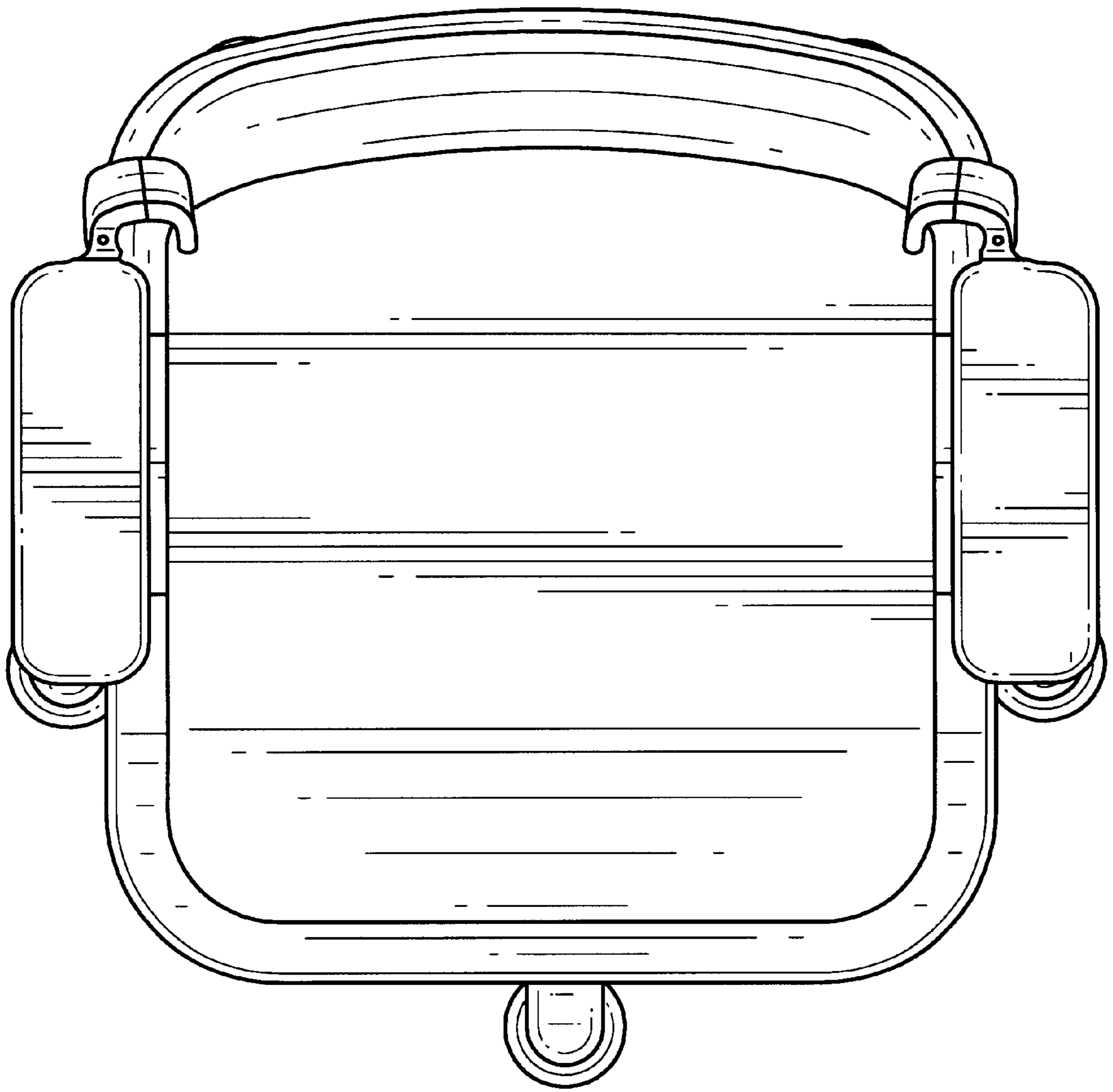


Fig. 4

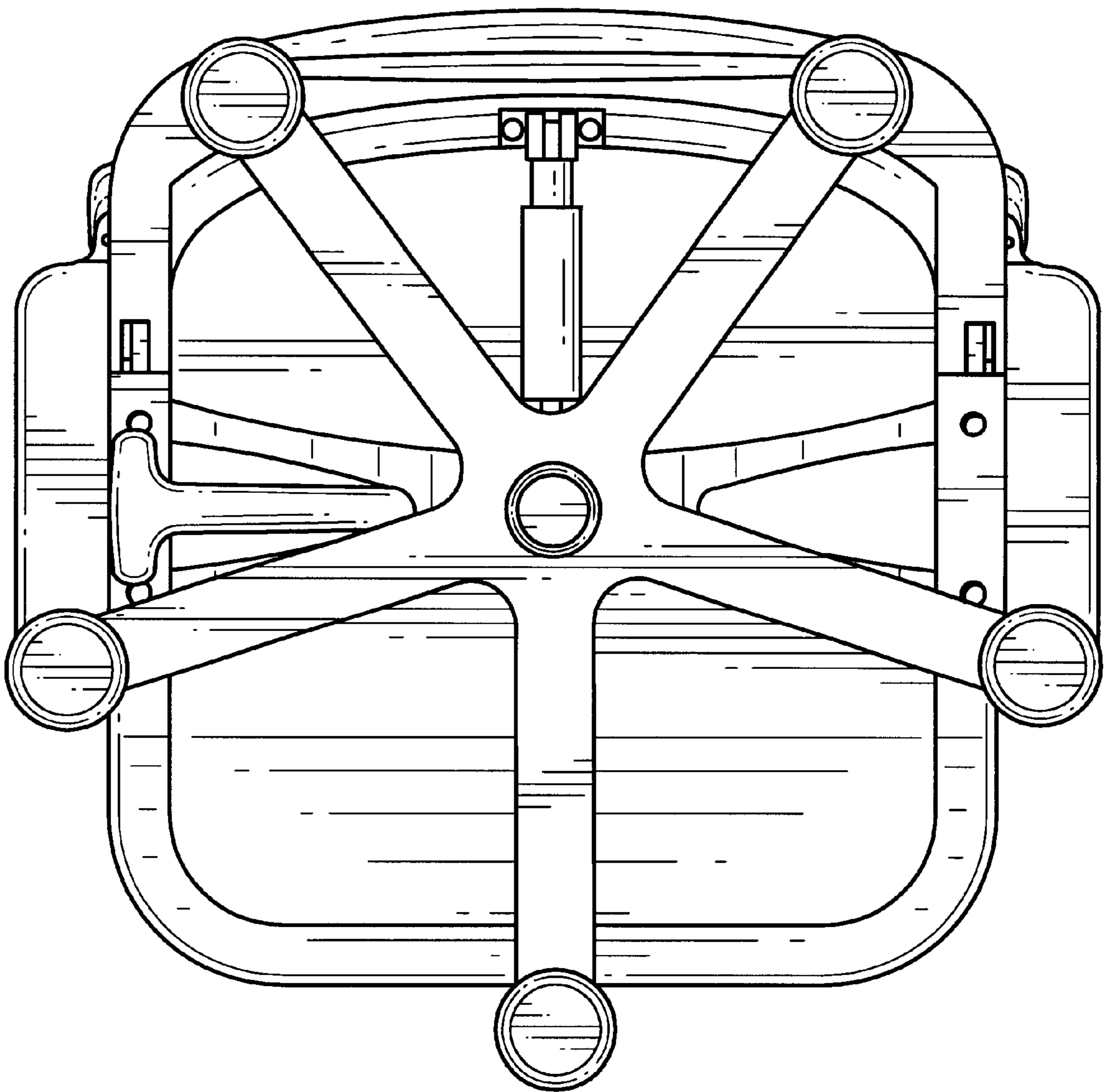


Fig. 5