



US00D446953B1

(12) **United States Design Patent**
Isom

(10) **Patent No.:** **US D446,953 S**

(45) **Date of Patent:** **** Aug. 28, 2001**

(54) **CHILDREN'S FURNITURE WITH PIG MOTIF**

(76) **Inventor:** **Lewis D. Isom**, 7323 E. Oak St.,
Scottsdale, AZ (US) 85257

(**) **Term:** **14 Years**

(21) **Appl. No.:** **29/120,199**

(22) **Filed:** **Mar. 15, 2000**

(51) **LOC (7) Cl.** **06-01**

(52) **U.S. Cl.** **D6/359**

(58) **Field of Search** D6/334, 335, 338,
D6/345, 348, 350, 351, 354, 358, 359,
500-502; 297/181, DIG. 1; D21/415

(56) **References Cited**

U.S. PATENT DOCUMENTS

D. 38,640	*	6/1907	Walker	D6/345
D. 59,334	*	10/1921	Clouser	D6/345
D. 73,249	*	8/1927	Braugher	D6/345
D. 74,010	*	12/1927	Gottiob	D6/359
D. 76,330	*	9/1928	Spear	D6/348
D. 80,173	*	12/1929	Girard	D6/359
D. 119,610	*	3/1940	Crowley	D6/348
D. 165,066	*	11/1951	Gelman et al.	D6/345
D. 170,471	*	9/1953	Meagher	D6/350
D. 188,658	*	8/1960	Locke	D6/359
D. 192,598	*	4/1962	Snyder	D6/345
D. 193,057	*	6/1962	Hunter et al.	D6/345
D. 201,077	*	5/1965	Gingold	D6/354
D. 220,429	*	4/1971	Chapman et al.	D6/359
D. 254,023	*	1/1980	Knight et al.	D6/359

D. 256,069	*	7/1980	Johnson	D6/345
D. 359,170	*	6/1995	Lyons et al.	D6/359
D. 380,621	*	7/1997	Denten	D6/359
D. 409,403	*	5/1999	Gaster	D6/359
D. 415,362	*	10/1999	Gaster	D6/359
1,508,697	*	9/1924	Junker	297/181
2,269,834	*	1/1942	Wagner	297/181
3,412,998	*	11/1968	Lott et al.	297/181
3,603,656	*	9/1971	Ferman	297/181

* cited by examiner

Primary Examiner—Doris V. Coles

Assistant Examiner—Mimosa De

(74) *Attorney, Agent, or Firm*—Jeffrey D. Moy; Jeffrey Weiss; Weiss & Moy, P.C.

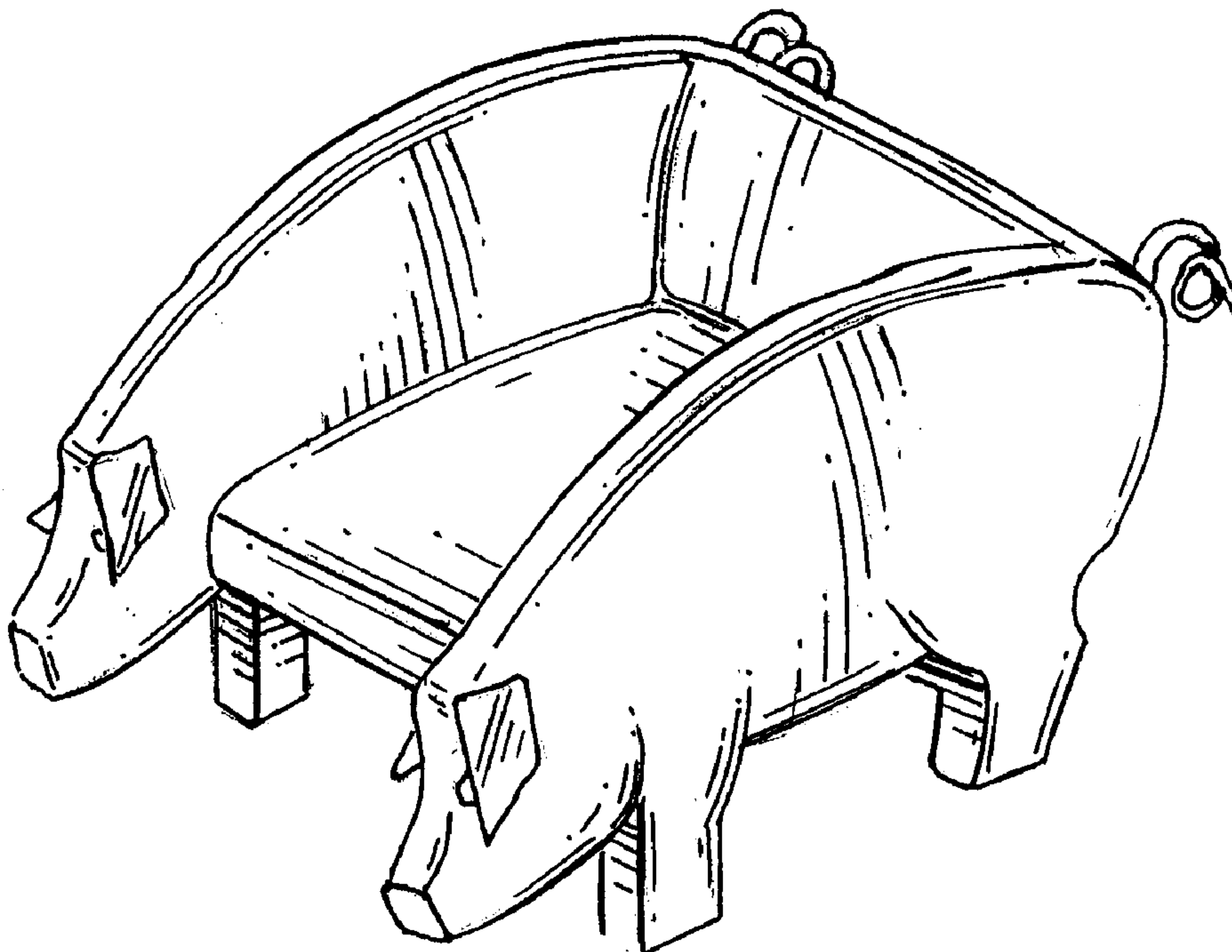
(57) **CLAIM**

The ornamental design for children's furniture with pig motif, as shown and described.

DESCRIPTION

FIG. 1 is a perspective view of a children's furniture with pig motif showing my new design, incorporating a chair; FIG. 2 is a top view thereof; FIG. 3 is a side view thereof, it being understood that the other side being a mirror image; FIG. 4 is a bottom view thereof; FIG. 5 is a rear view thereof; and, FIG. 6 is a perspective view of a second embodiment of the children's furniture with pig motif of FIGS. 1-5, incorporating a sofa.

1 Claim, 1 Drawing Sheet



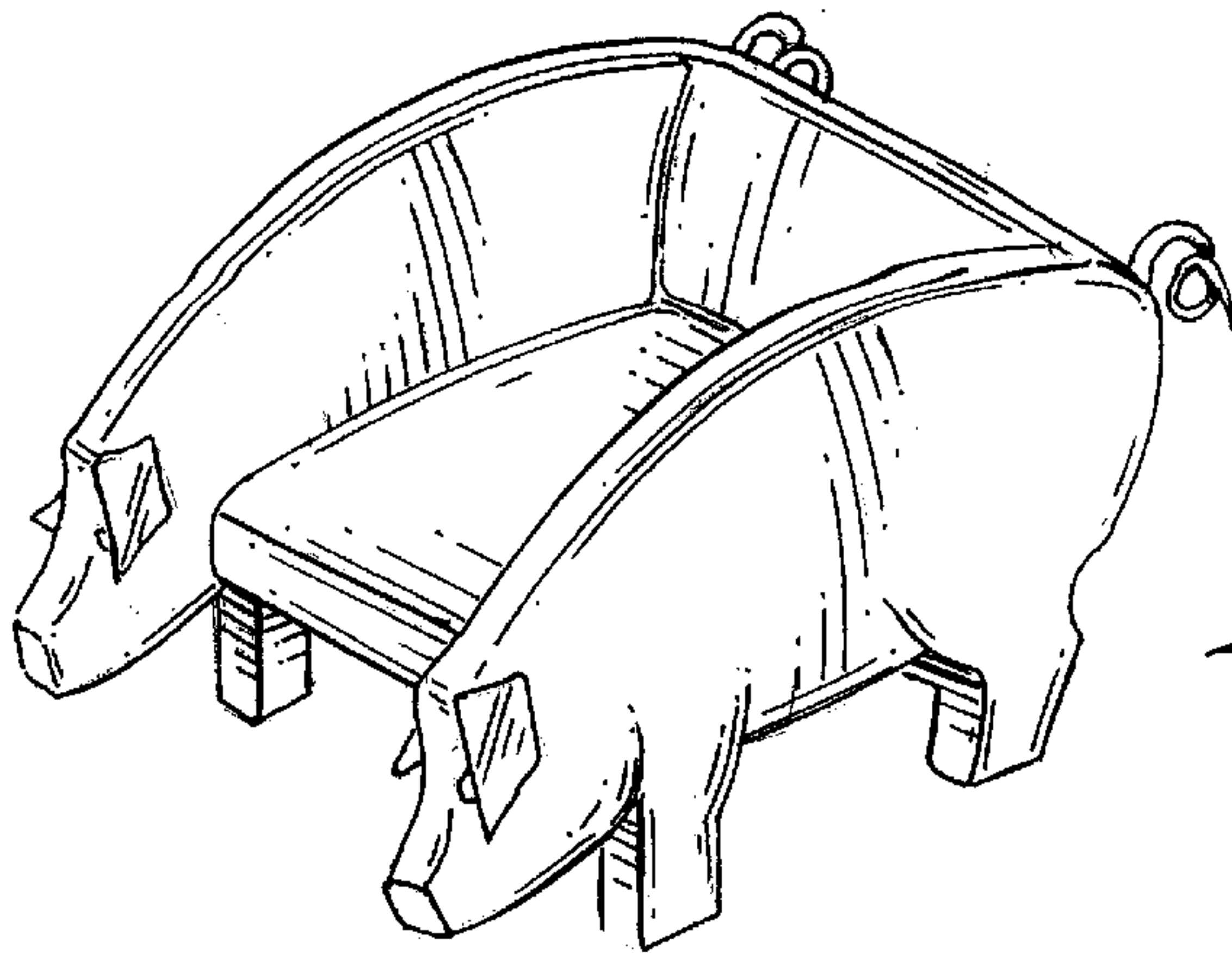


FIG. 1

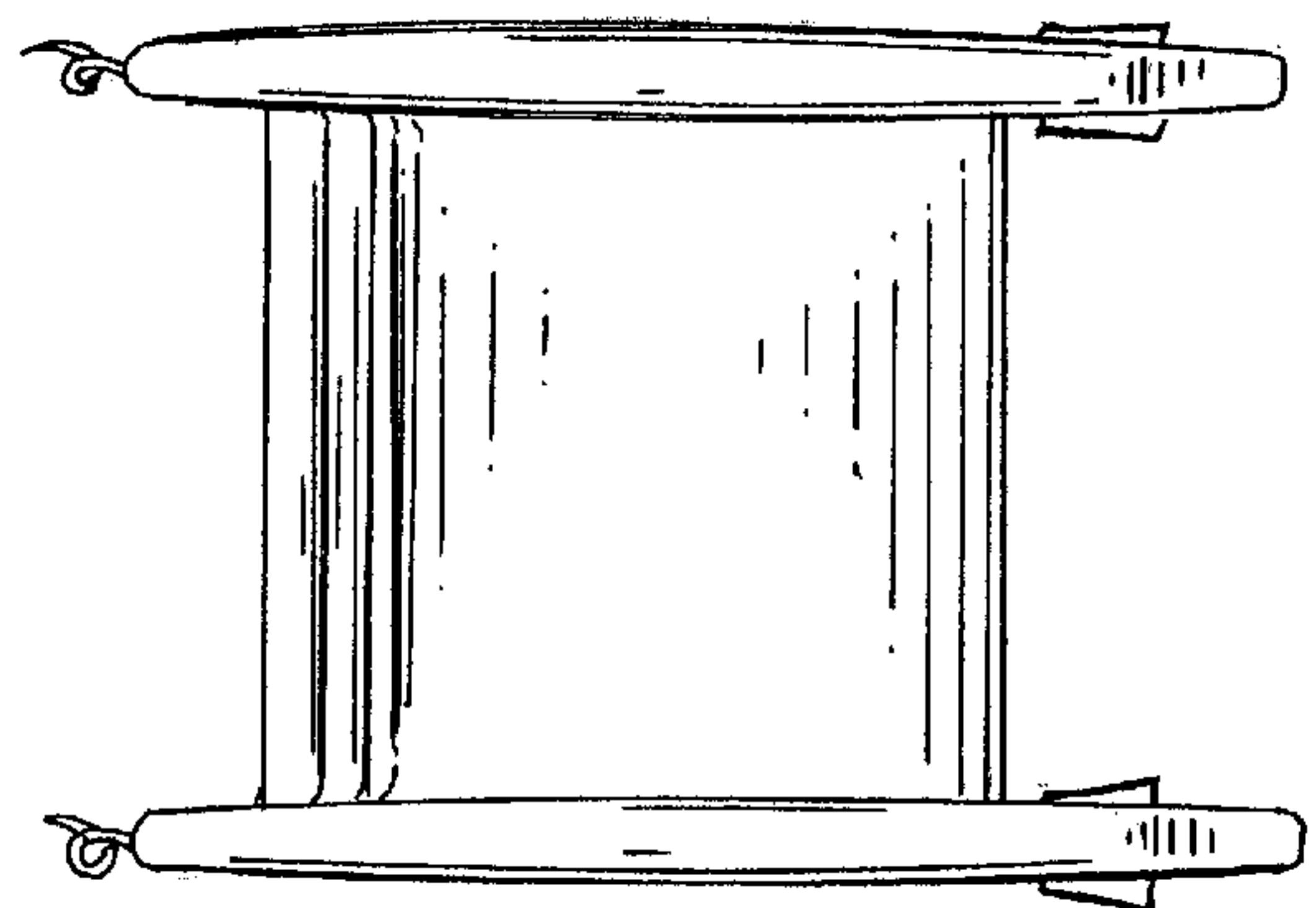


FIG. 2

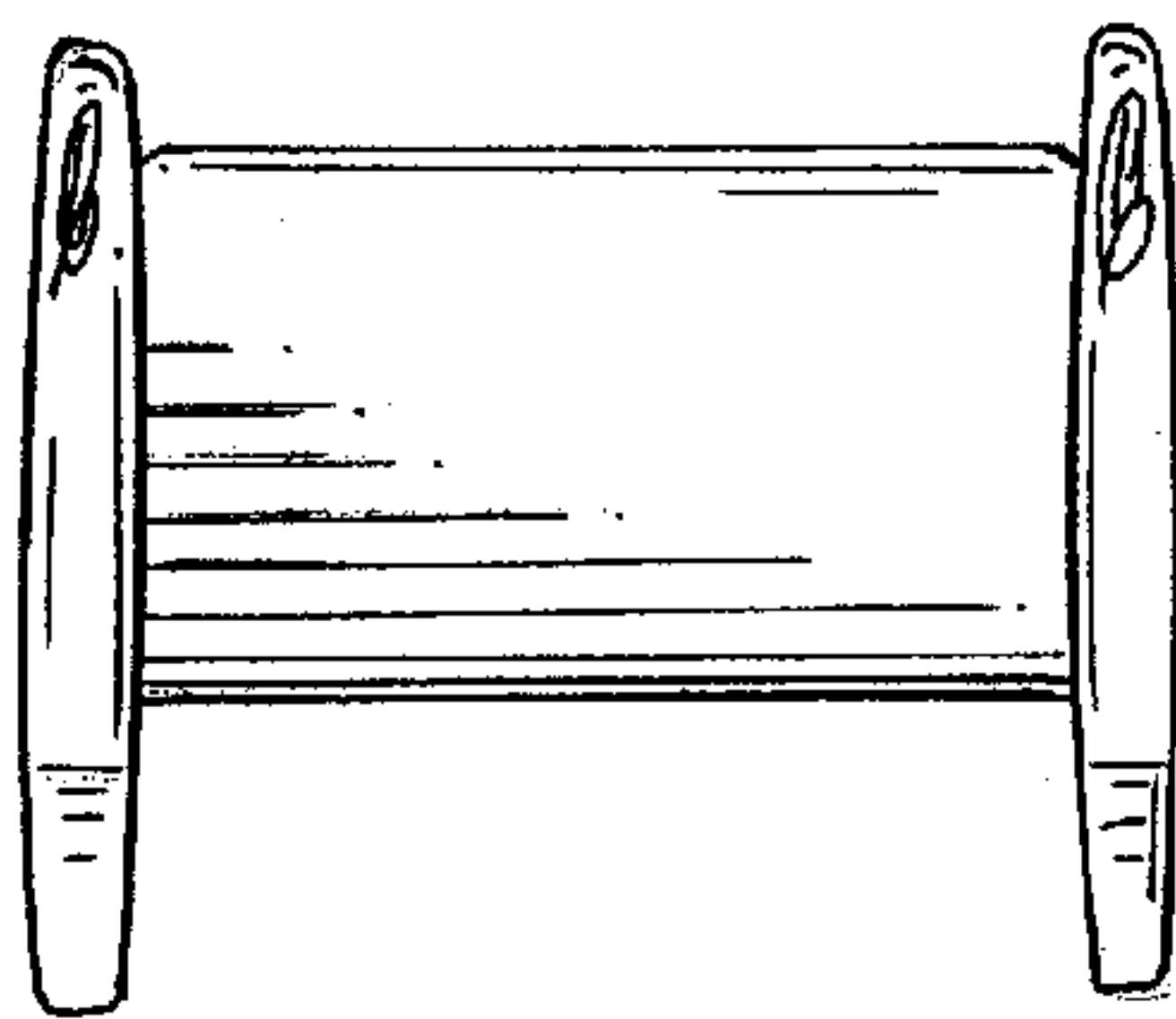


FIG. 5

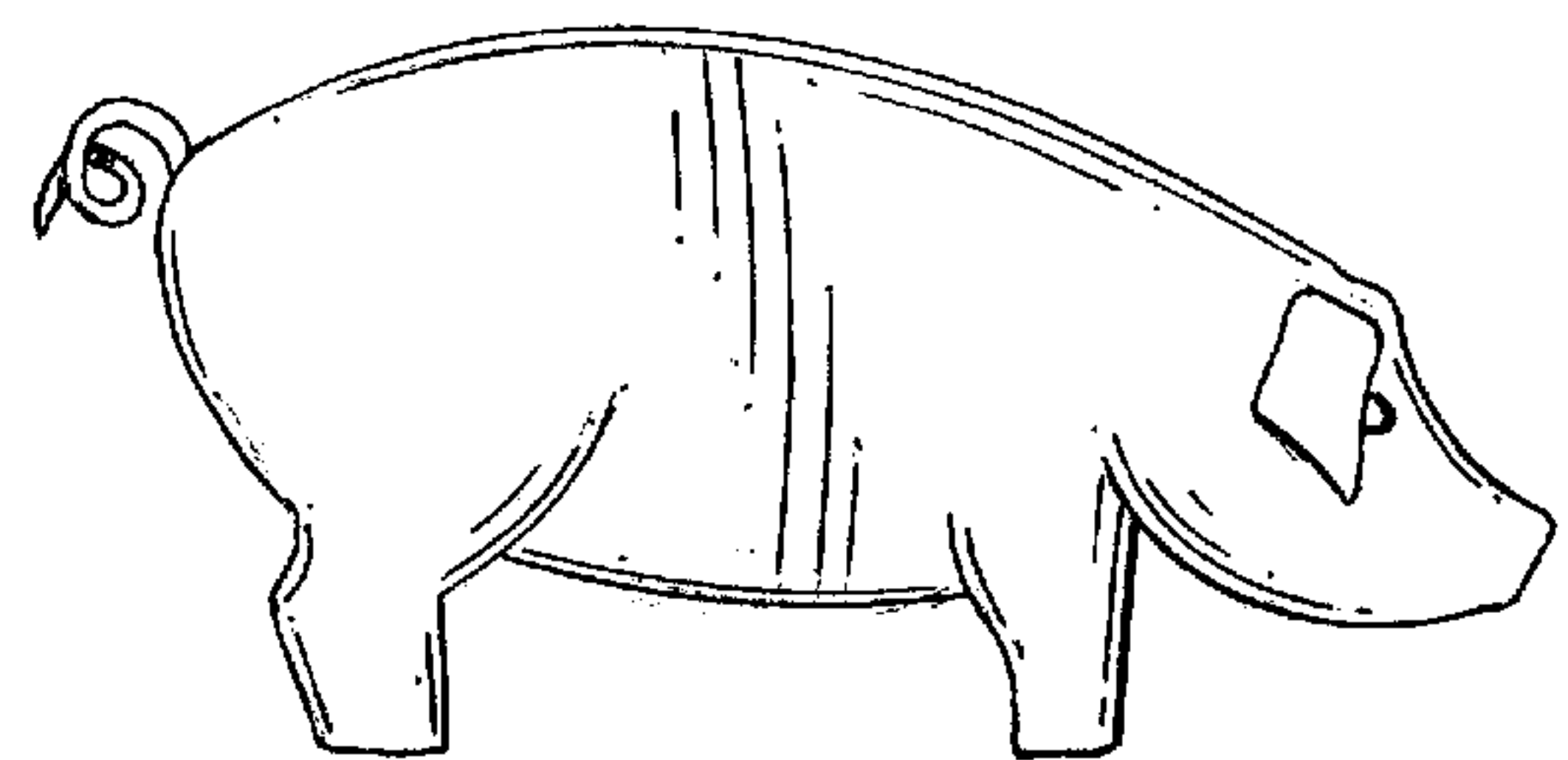


FIG. 3

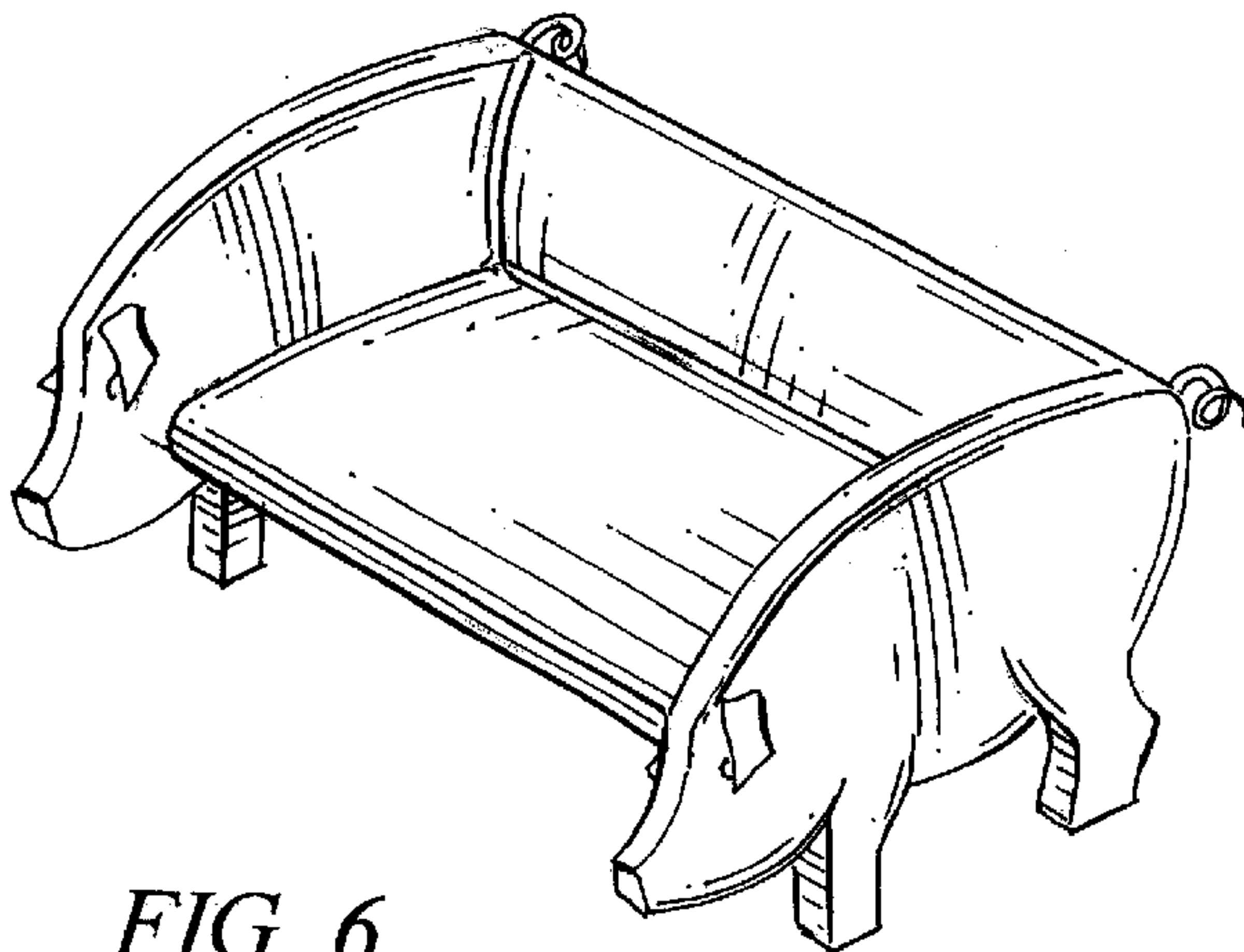


FIG. 6

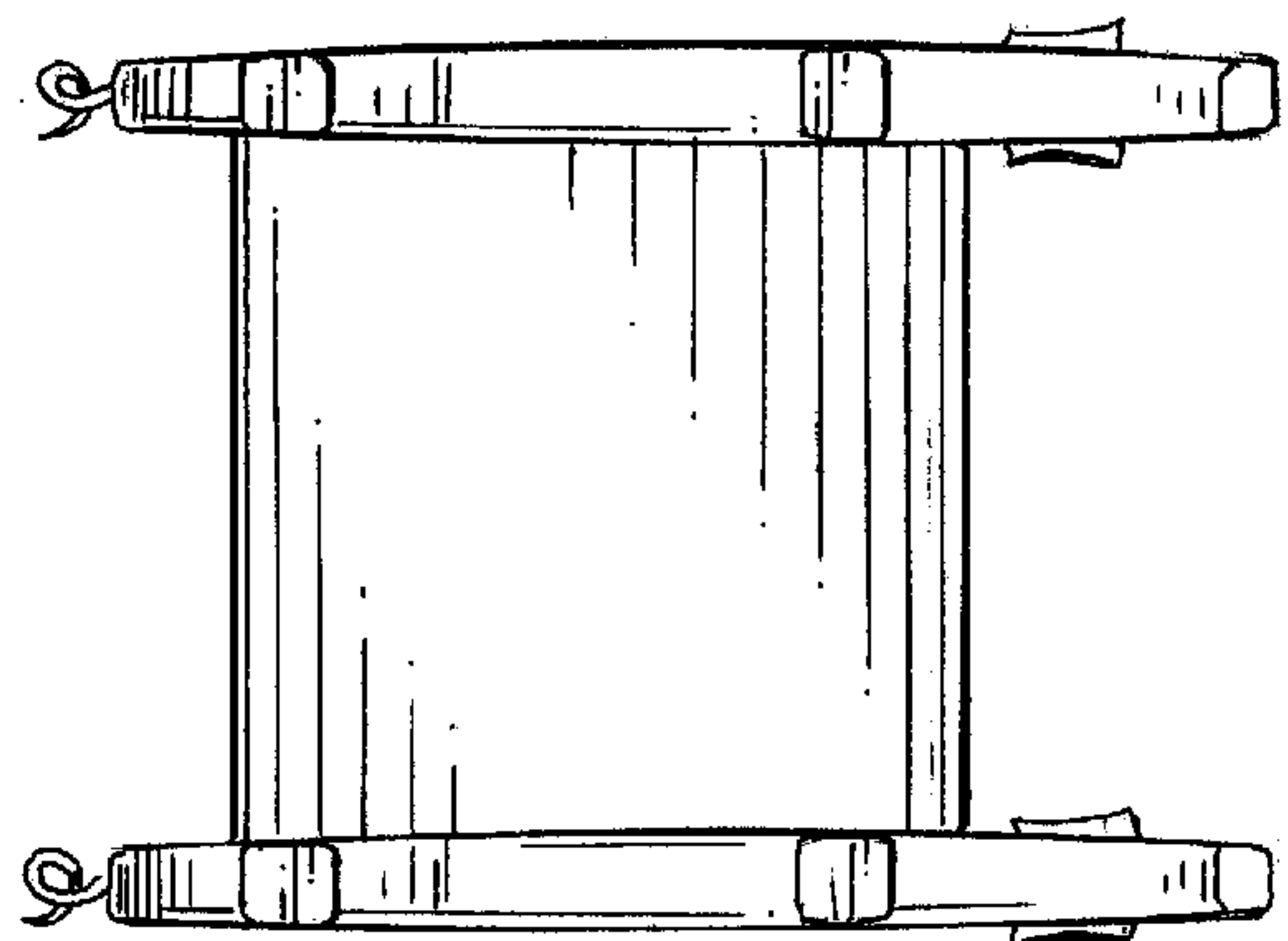


FIG. 4