



US00D446951B1

(12) **United States Design Patent**  
**Sheedy**

(10) **Patent No.:** **US D446,951 S**

(45) **Date of Patent:** **\*\* Aug. 28, 2001**

(54) **RECLINING CHAIR TO BE USED WITH A VIDEO GAME SYSTEM**

(76) **Inventor:** **Thomas Sheedy**, 1317 Maple Ave.,  
Croydon, PA (US) 19021

(\*\*) **Term:** **14 Years**

(21) **Appl. No.:** **29/135,142**

(22) **Filed:** **Jan. 8, 2001**

(51) **LOC (7) Cl.** ..... **06-01**

(52) **U.S. Cl.** ..... **D6/335; D6/361**

(58) **Field of Search** ..... D6/334, 335, 336,  
D6/360, 361, 500, 501, 502; 297/83, 93,  
188.01, 188.14, 217.3, 217.4, 411.2, 423.1,  
452.12, 452.14; D14/172, 207

(56) **References Cited**

**U.S. PATENT DOCUMENTS**

D. 145,092	*	6/1946	Laskowitz	.....	D6/361
D. 166,398	*	4/1952	Laskowitz	.....	D6/361
D. 166,402	*	4/1952	Manne et al.	.....	D6/361
D. 180,982	*	9/1957	Woodward	.....	D6/336
D. 183,790	*	10/1958	Deaton	.....	D6/361
D. 197,646	*	3/1964	Rose	.....	D6/336
D. 220,690	*	5/1971	Ferro	.....	D6/336

D. 322,362	*	12/1991	Voves et al.	.....	D6/360
3,717,378	*	2/1973	Jackson	.....	297/452.14
4,852,941	*	8/1989	Jones	.....	297/188.01
4,915,450	*	4/1990	Cooper	.....	297/217.3
6,089,663	*	7/2000	Hill	.....	297/217.4
6,092,868	*	7/2000	Wynn	.....	297/217.3
6,145,926	*	11/2000	Lin	.....	297/217.3

\* cited by examiner

*Primary Examiner*—Doris V. Coles

*Assistant Examiner*—Mimosa De

(74) *Attorney, Agent, or Firm*—Goldstein Law Offices P.C.

(57) **CLAIM**

The ornamental design for a reclining chair to be used with a video game system, as shown and described.

**DESCRIPTION**

FIG. 1 is a perspective view of a reclining chair to be used with a video game system.

FIG. 2 is a right side elevational view thereof;

FIG. 3 is a left side elevational view thereof.

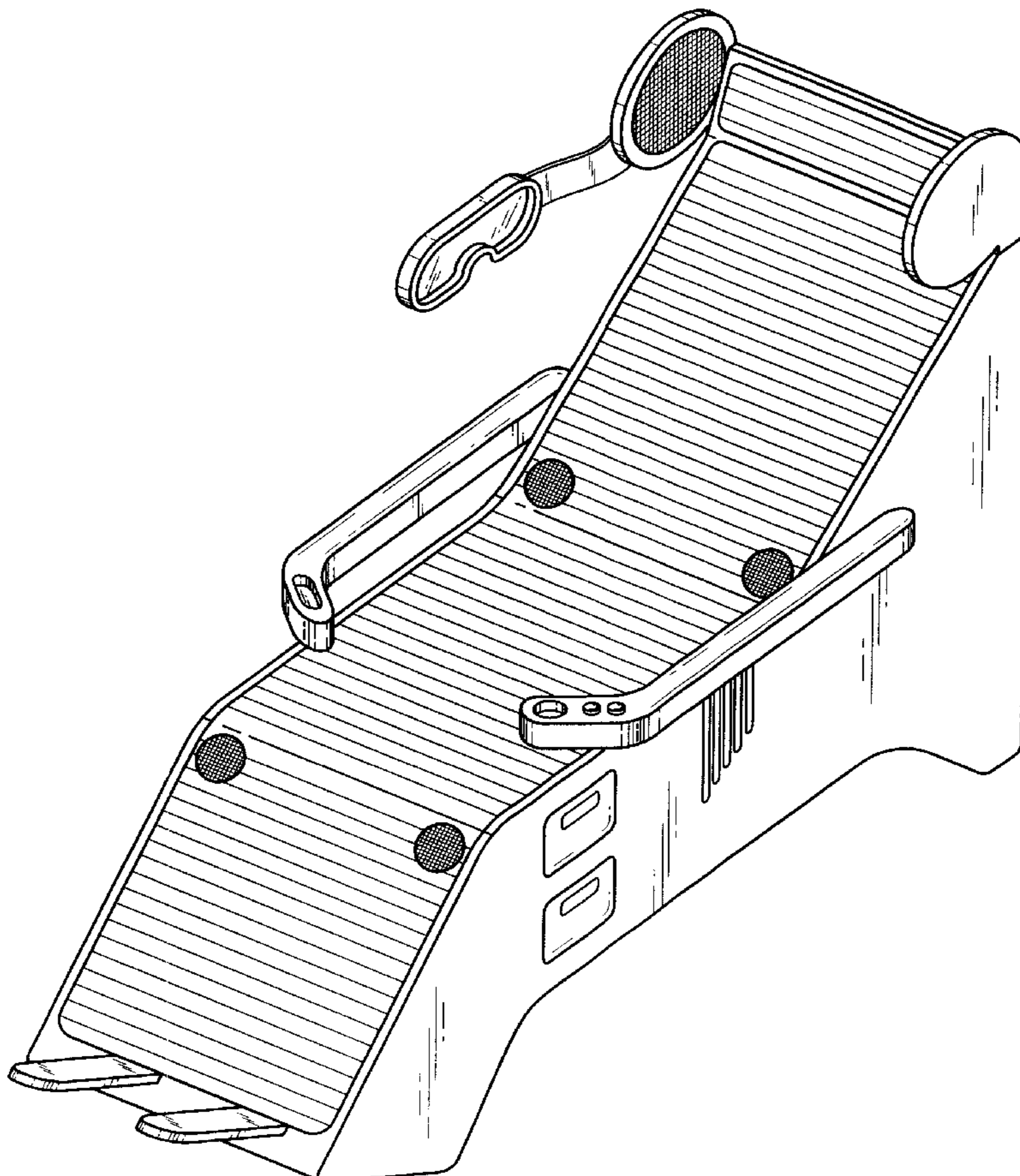
FIG. 4 is a front elevational view thereof.

FIG. 5 is a rear elevational view thereof;

FIG. 6 is a top plan view thereof; and,

FIG. 7 is a bottom plan view thereof.

**1 Claim, 4 Drawing Sheets**



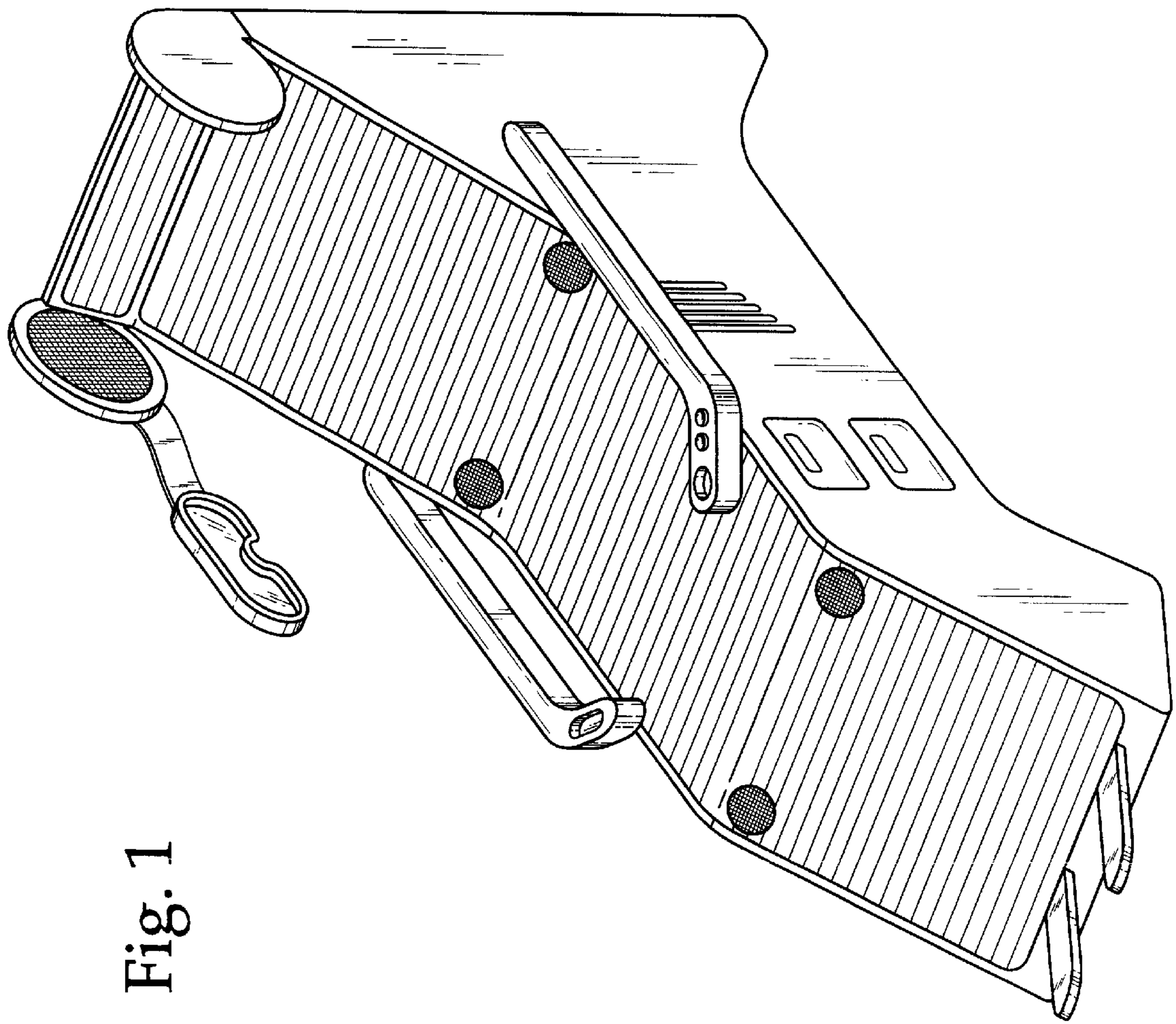


Fig. 1

Fig. 2

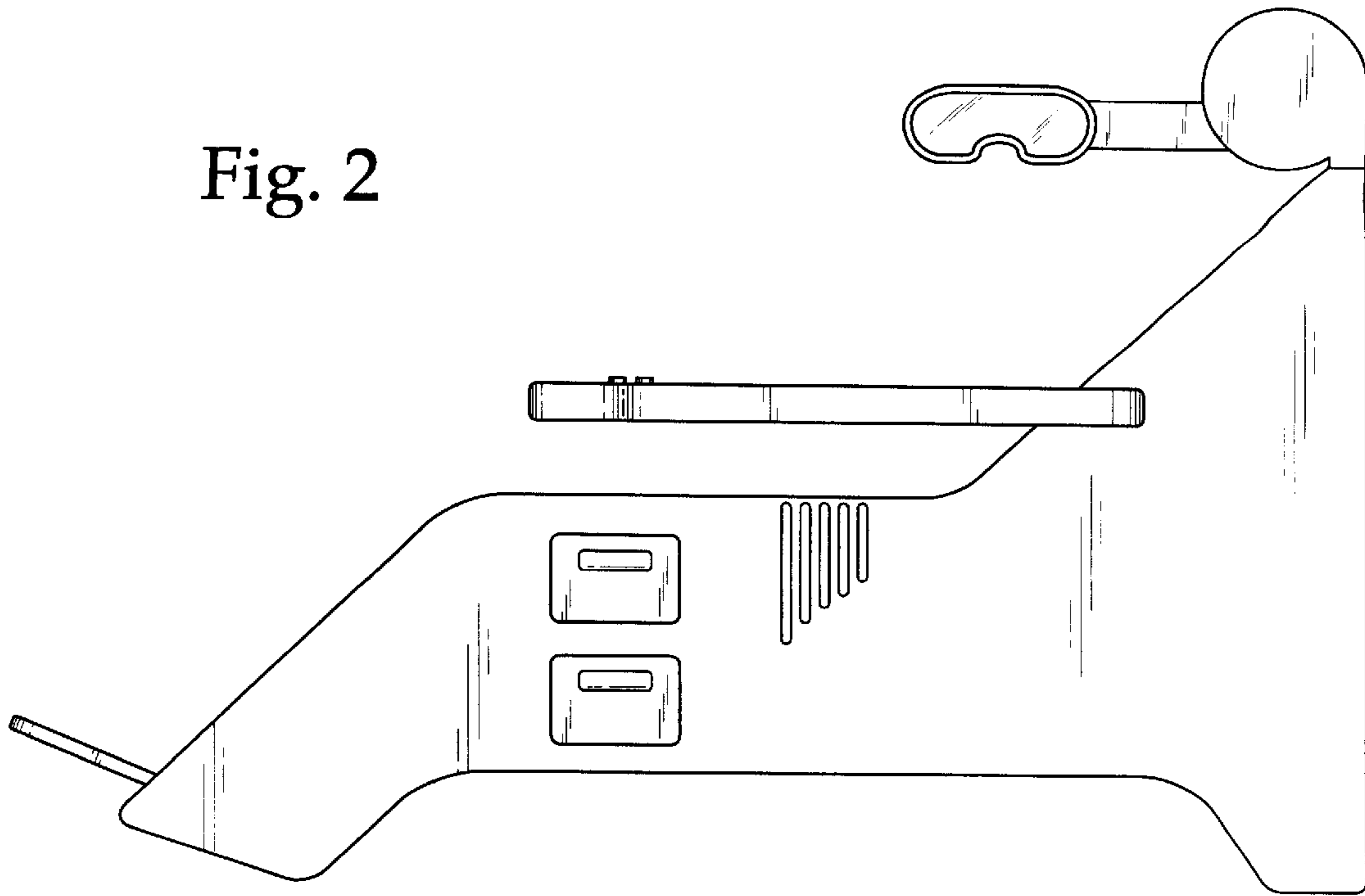


Fig. 3

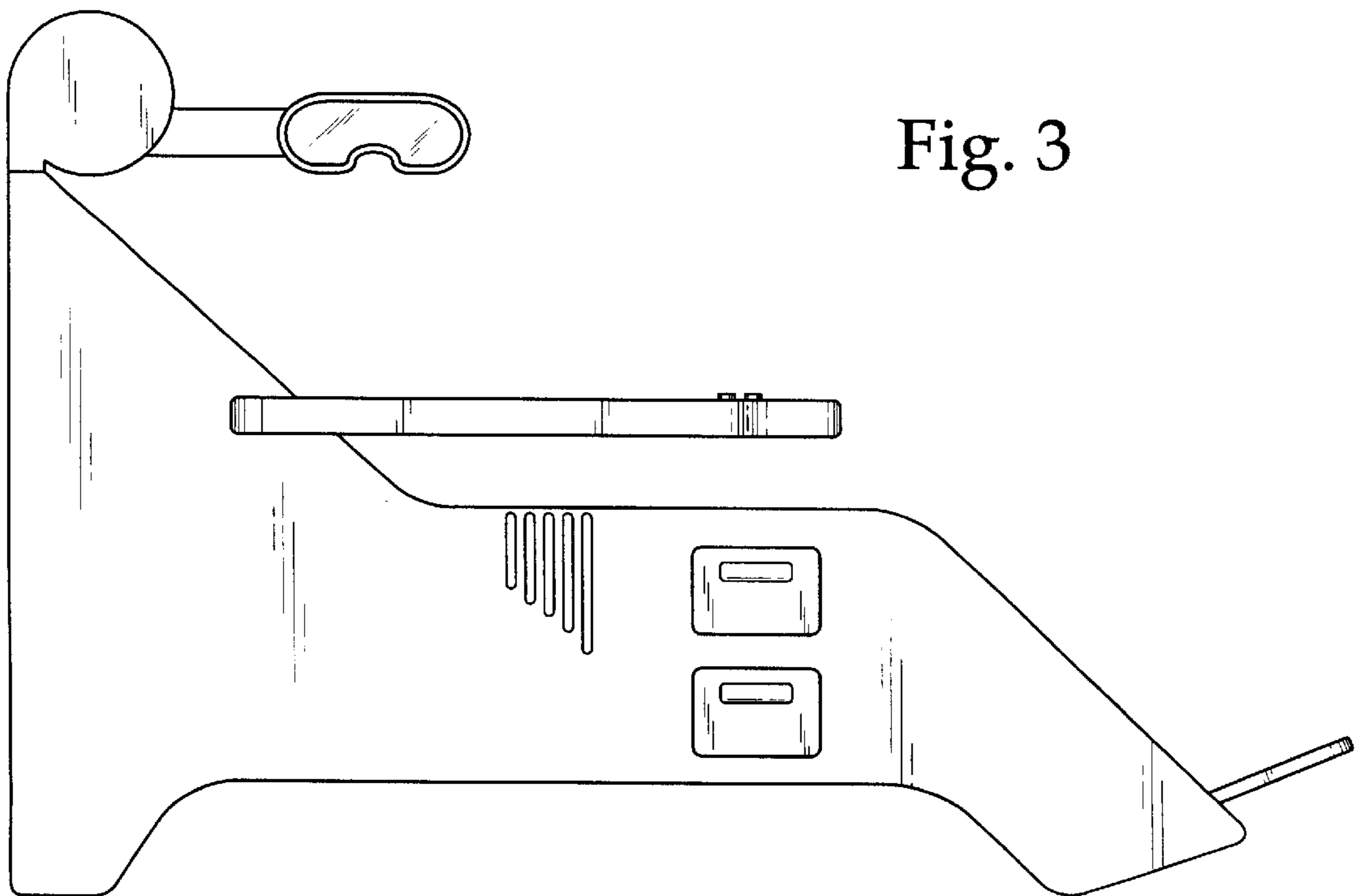


Fig. 4

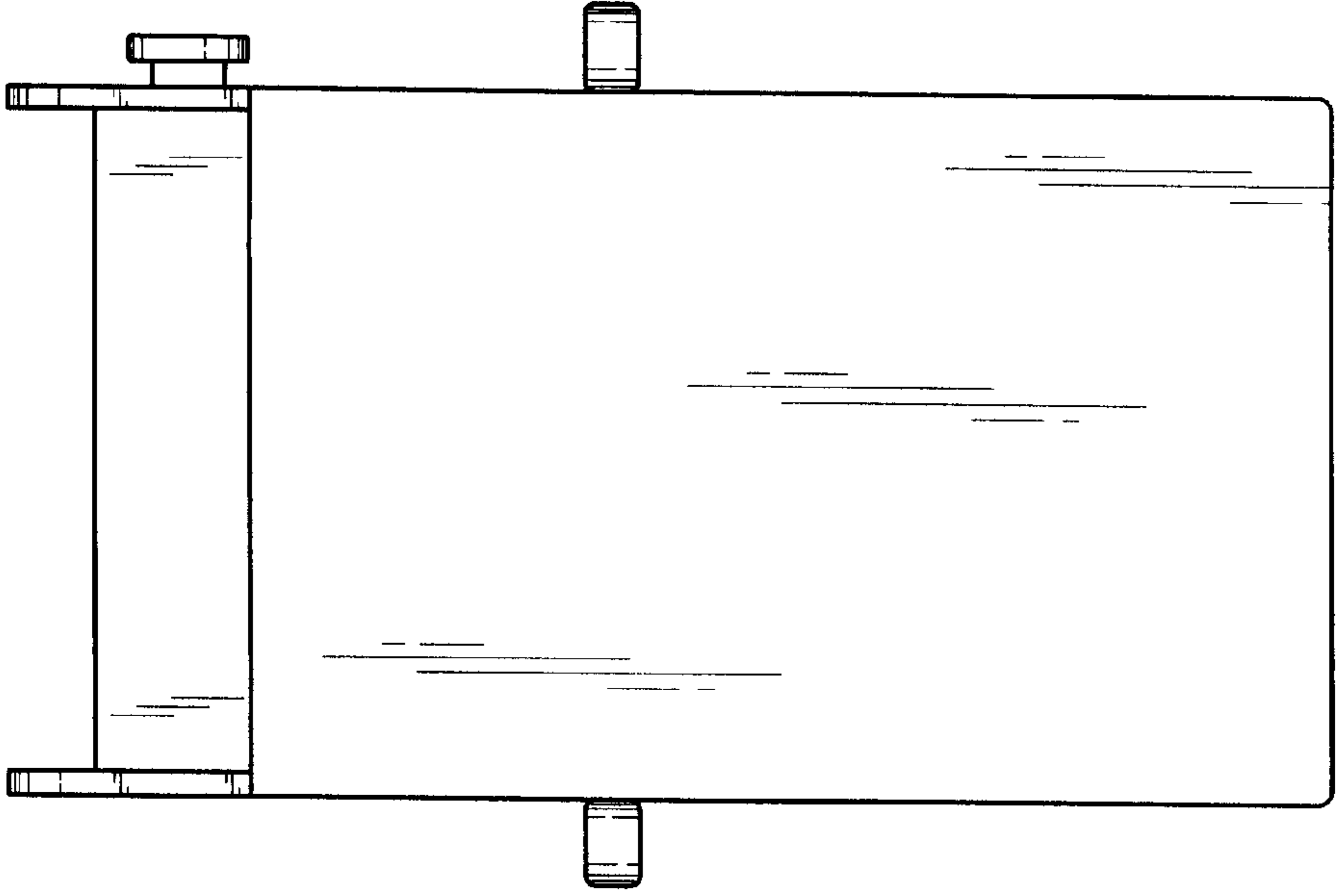
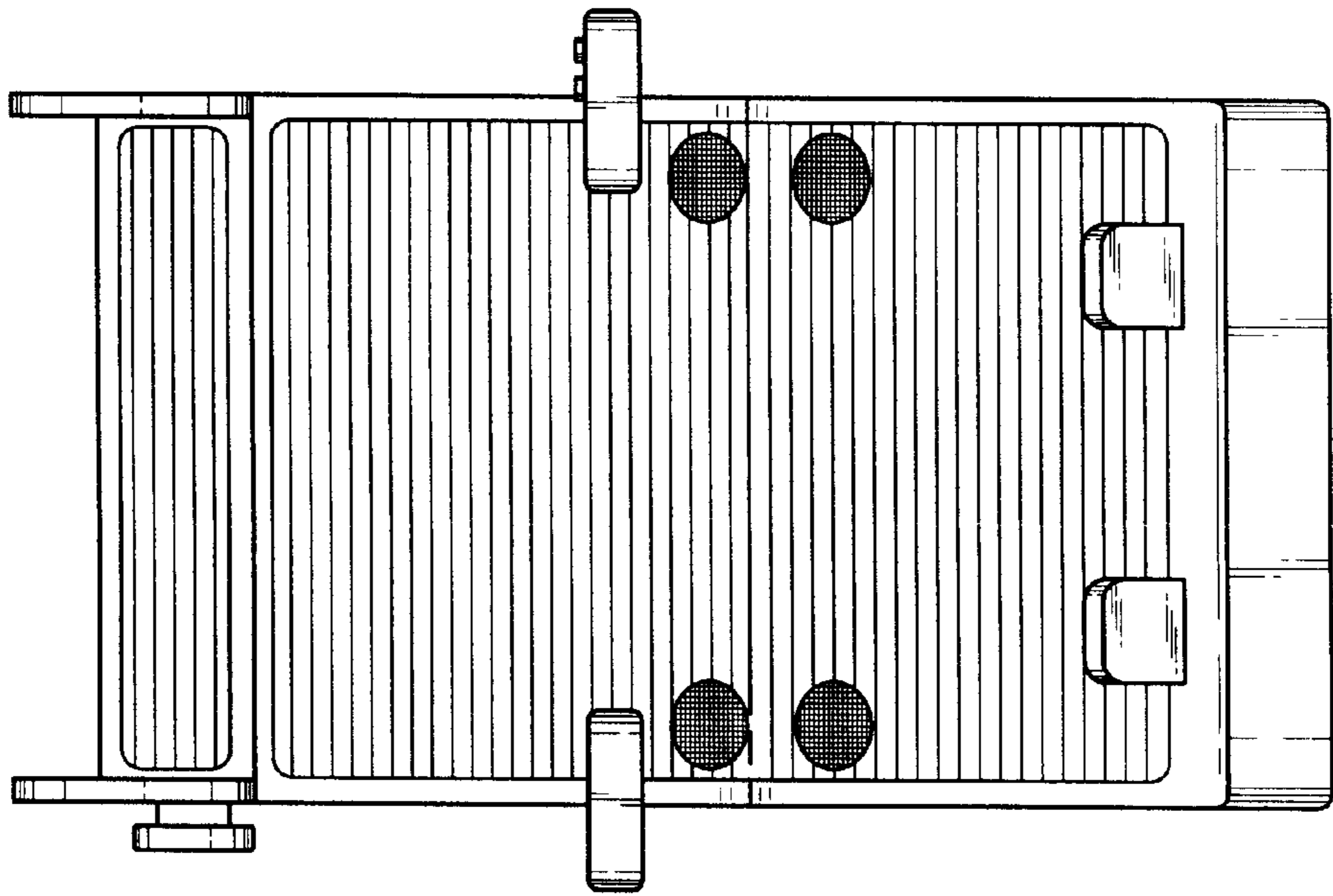


Fig. 5

Fig. 6

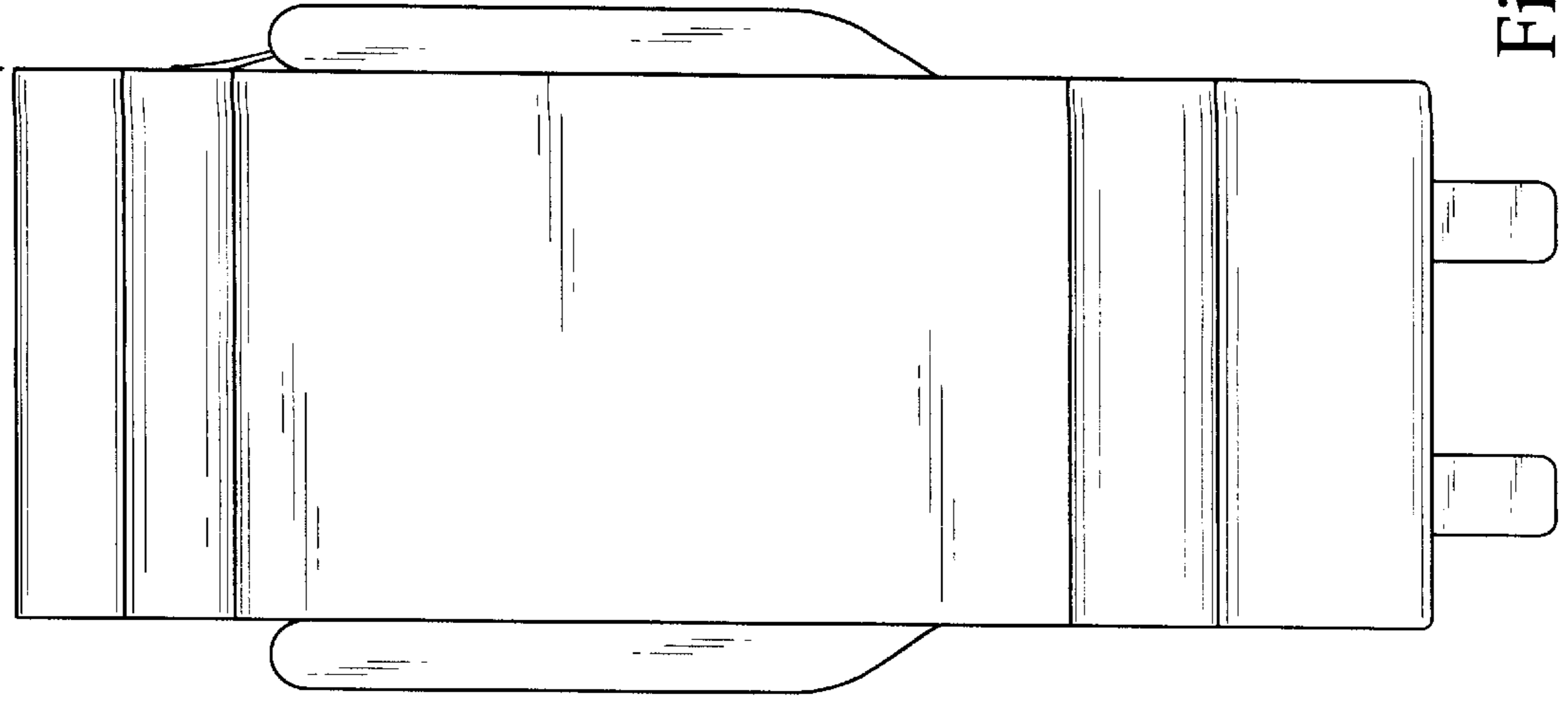
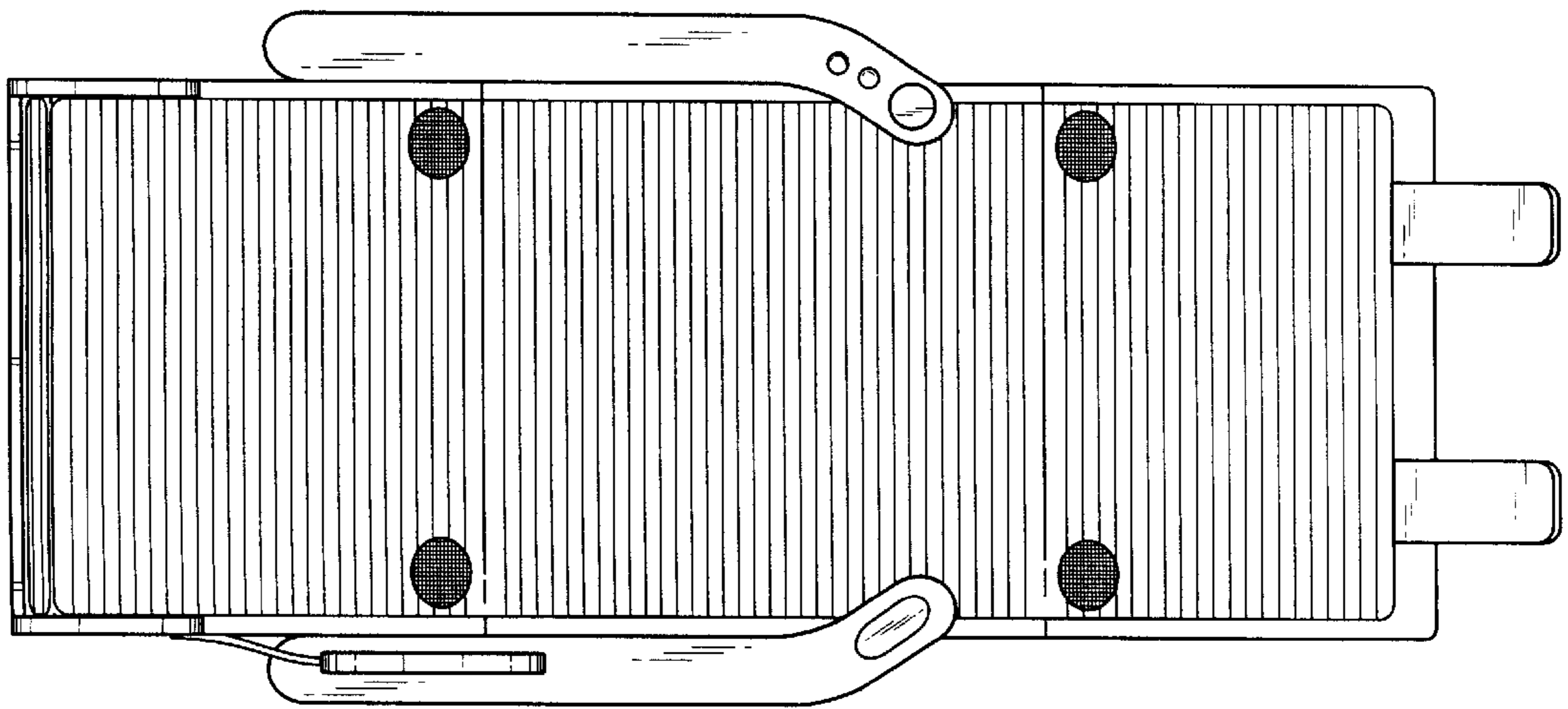


Fig. 7