



US00D446941B1

(12) **United States Design Patent**
Kraemer

(10) **Patent No.:** **US D446,941 S**

(45) **Date of Patent:** **** Aug. 28, 2001**

(54) **TOOTHBRUSH HEAD**

5,652,990 * 8/1997 Driesen et al. 15/28
5,867,856 * 2/1999 Herzog 15/28 X

(75) Inventor: **Hans Kraemer**, Buehl-Altschweier
(DE)

FOREIGN PATENT DOCUMENTS

(73) Assignee: **SmithKline Beecham GmbH & Co.**
KG, Buehl (DE)

4218856 * 12/1993 (DE) .
29913899 * 12/1999 (DE) .

(**) Term: **14 Years**

* cited by examiner

(21) Appl. No.: **29/127,642**

Primary Examiner—Alan P. Douglas

Assistant Examiner—Lavone Tabor

(22) Filed: **Aug. 9, 2000**

(74) *Attorney, Agent, or Firm*—Nora Stein-Fernandez;
Stephen Venetianer; Charles M. Kinzig

(30) **Foreign Application Priority Data**

Feb. 15, 2000 (GB) 2090434

(51) **LOC (7) Cl.** **04-02**

(52) **U.S. Cl.** **D4/111; D4/127**

(58) **Field of Search** D4/101, 104-112,
D4/127, 121; 15/22.1, 28, 29, 159.1, 160,
167.1, 176.1, 176.4; 132/308; 601/139,
141, 142

(57) **CLAIM**

The ornamental design for a toothbrush head, as shown and described.

DESCRIPTION

FIG. 1 is a front perspective view from above and one side of the article;

FIG. 2 is a top plan view of the article;

FIG. 3 is a view of the one side of the article; and,

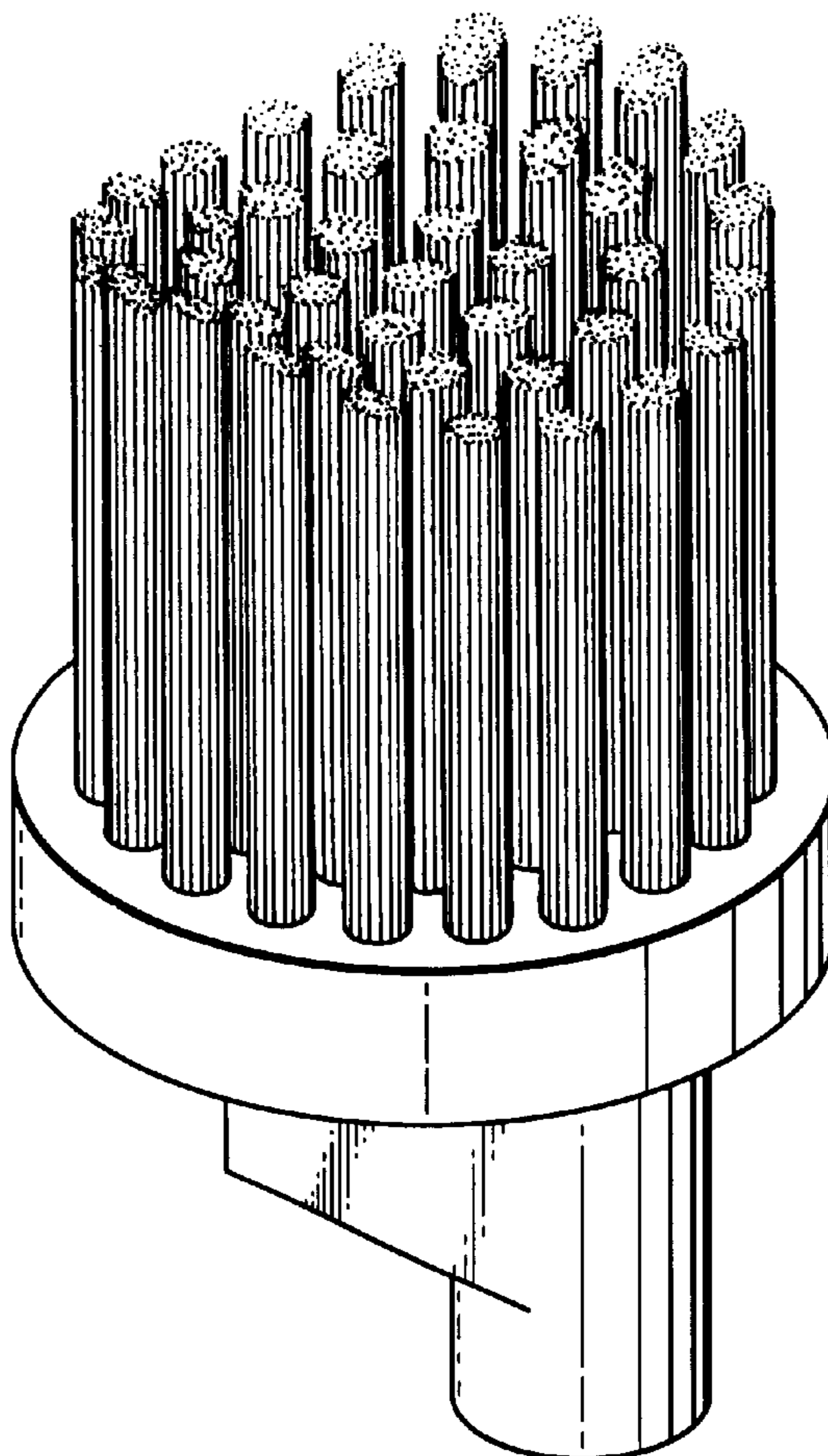
FIG. 4 is a rear view of the article.

(56) **References Cited**

U.S. PATENT DOCUMENTS

D. 388,958 * 1/1998 Hartwein D4/101

1 Claim, 2 Drawing Sheets



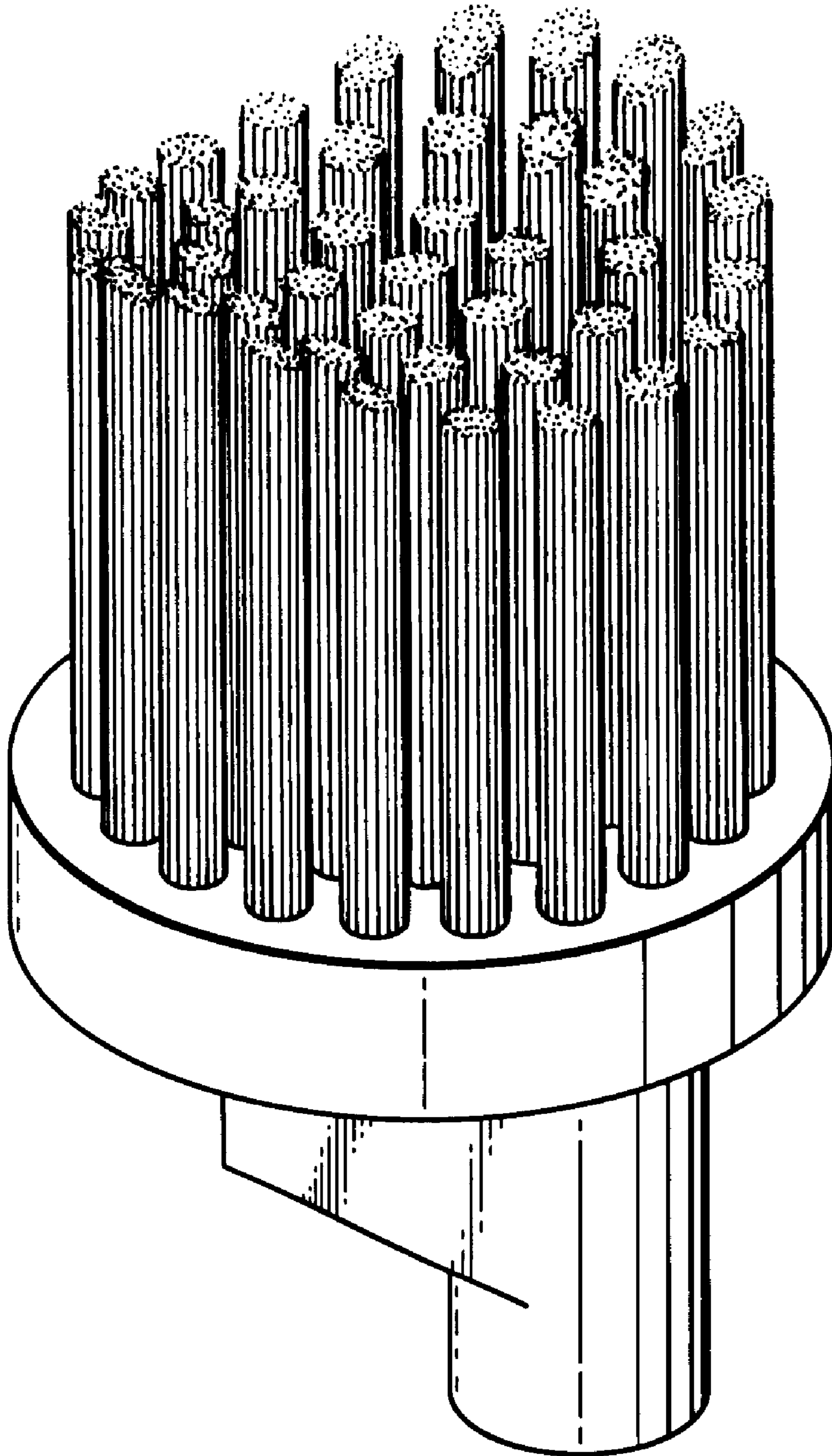


Fig. 1.

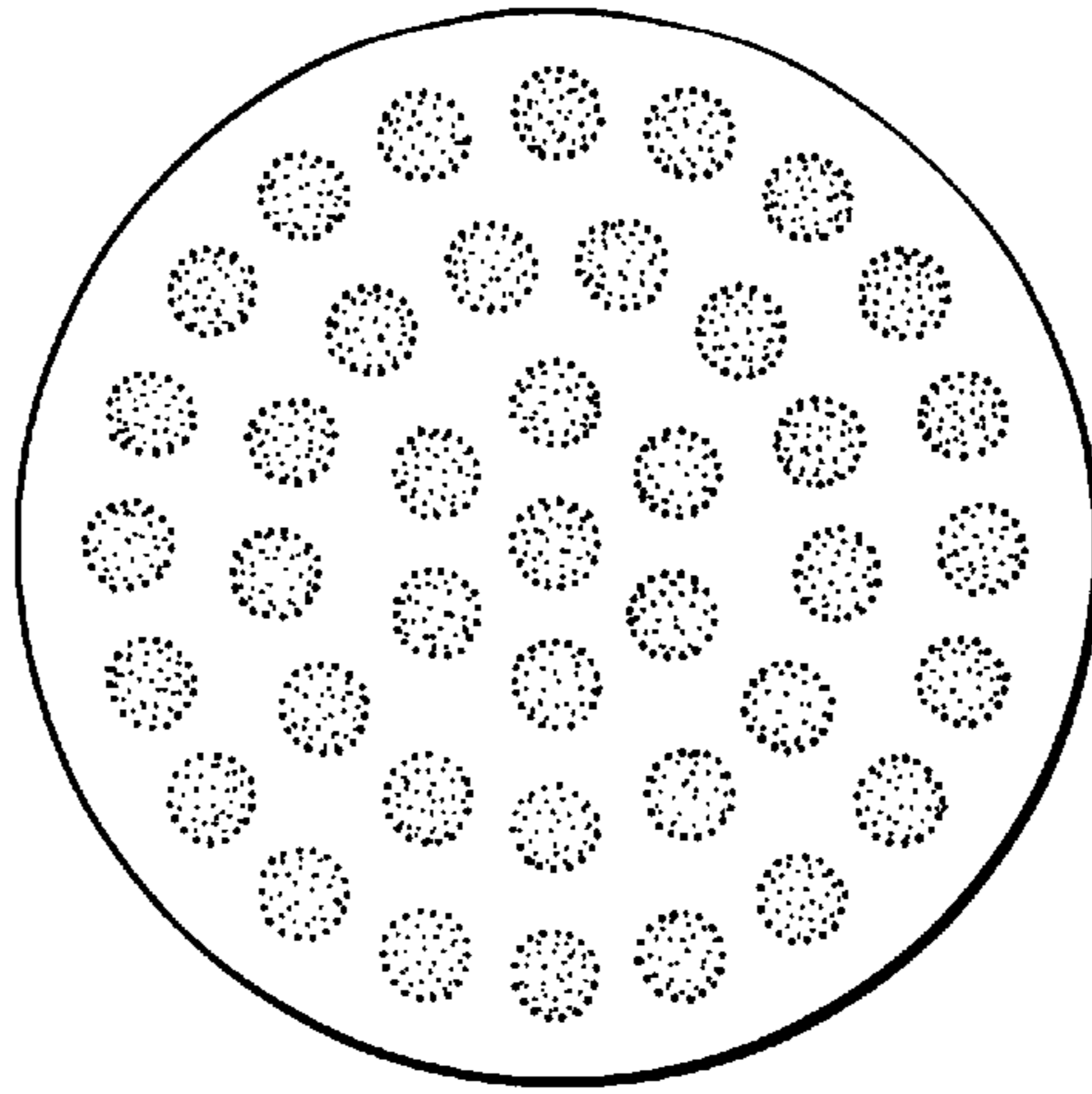


Fig.2.

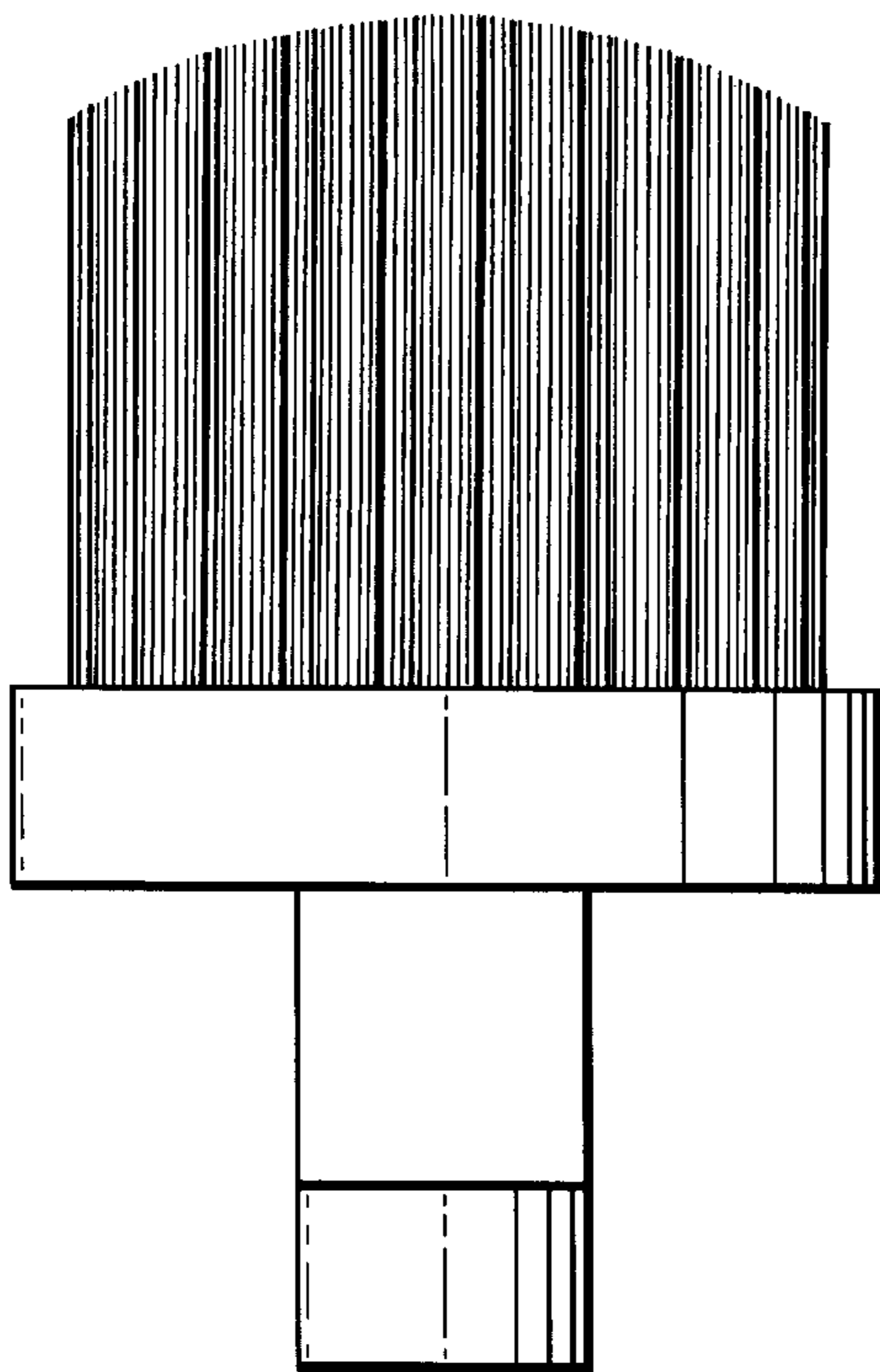


Fig.3.

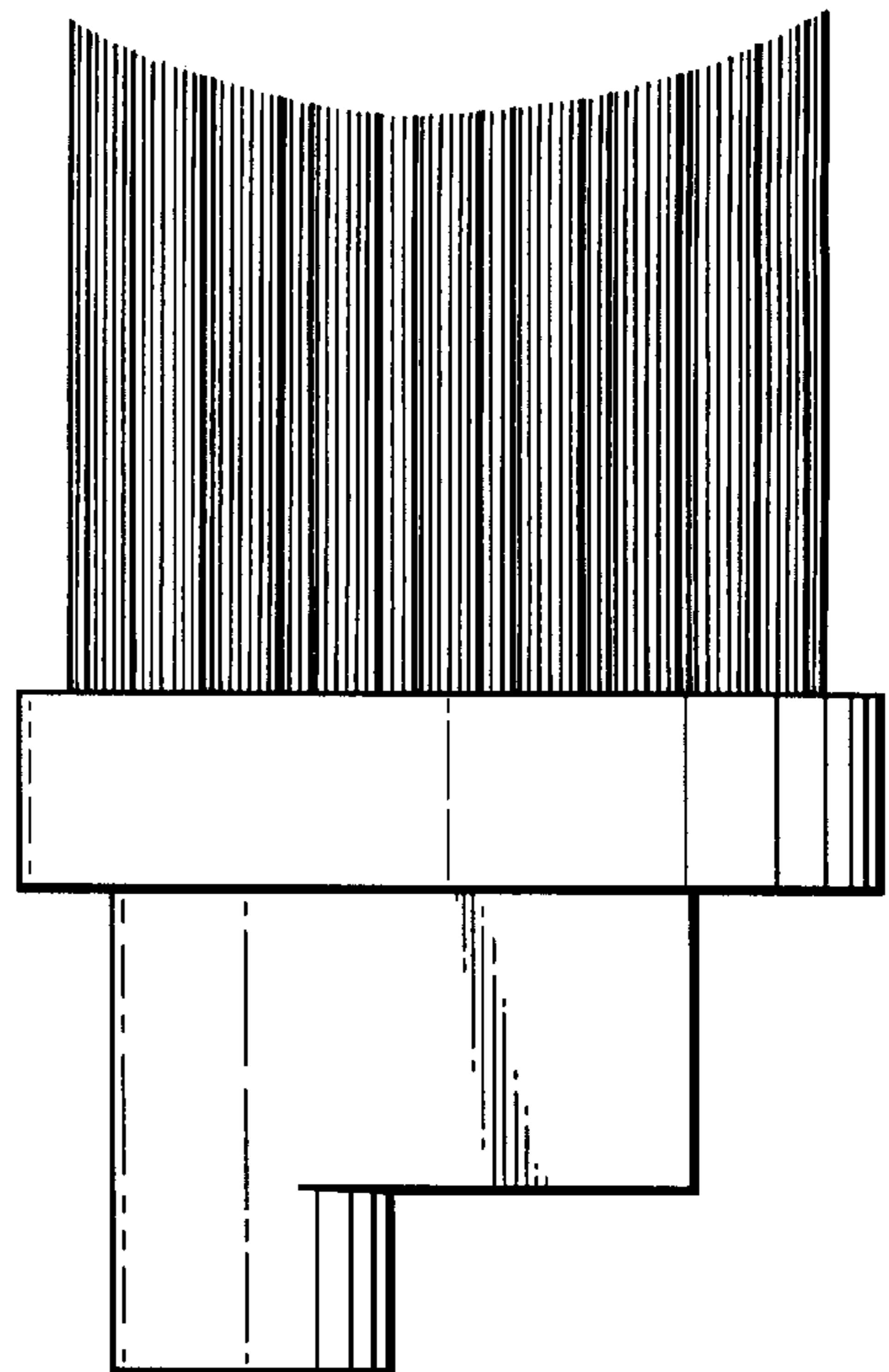


Fig.4.