



US00D446939B1

(12) **United States Design Patent** (10) **Patent No.:** **US D446,939 S**  
**Koefeldt** (45) **Date of Patent:** **\*\* Aug. 28, 2001**

(54) **MULTI-PURPOSE TRAY**

**FOREIGN PATENT DOCUMENTS**

(75) Inventor: **Gerald R. Koefeldt**, Hermosa Beach, CA (US)

WO 97/07033 2/1997 (WO) .  
WO 98/31596 7/1998 (WO) .

(73) Assignee: **Rehrig Pacific Company**, Los Angeles, CA (US)

**OTHER PUBLICATIONS**

(\*\*) Term: **14 Years**

Photographs of P&E, Inc. Crate, Nov., 1997, pp. 1-2.  
Photographs of P&E, Inc. Crate, Dec., 1998, pp. 1-2.  
Photographs of Rehrig Pacific Company Crate, May, 1999, pp. 1-2.

(21) Appl. No.: **29/134,411**

*Primary Examiner*—Louis S. Zarfes

(22) Filed: **Dec. 20, 2000**

*Assistant Examiner*—Deanne Levy

(74) *Attorney, Agent, or Firm*—Brooks & Kushman P.C.

**Related U.S. Application Data**

(62) Division of application No. 29/113,167, filed on Oct. 29, 1999.

(57) **CLAIM**

The ornamental design for a multi-purpose tray, as shown and described.

(51) **LOC (7) Cl.** ..... **03-01**

**DESCRIPTION**

(52) **U.S. Cl.** ..... **D3/307; D3/304**

(58) **Field of Search** ..... D9/424, 425; D3/304-315; 220/1.5, 7, 509, 516, 519; 206/427, 503, 509, 510, 557

FIG. 1 is a top perspective view of a first embodiment of the tray;

FIG. 2 is a top plan view of the first embodiment;

FIG. 3 is a bottom plan view of the first embodiment;

FIG. 4 is a right side elevational view of the first embodiment, the right side elevational view of the second embodiment being identical thereto;

FIG. 5 is a left side elevational view of the first embodiment, the left side elevational view of the second embodiment being identical thereto;

FIG. 6 is a front elevational view of the first embodiment;

FIG. 7 is a rear elevational view of the first embodiment;

FIG. 8 is a top perspective view of a second embodiment of the tray;

FIG. 9 is a top plan view of the second embodiment of the tray;

FIG. 10 is a bottom plan view of the second embodiment; and,

FIG. 11 is a front elevational view of the second embodiment, the rear elevational view being a mirror image thereof.

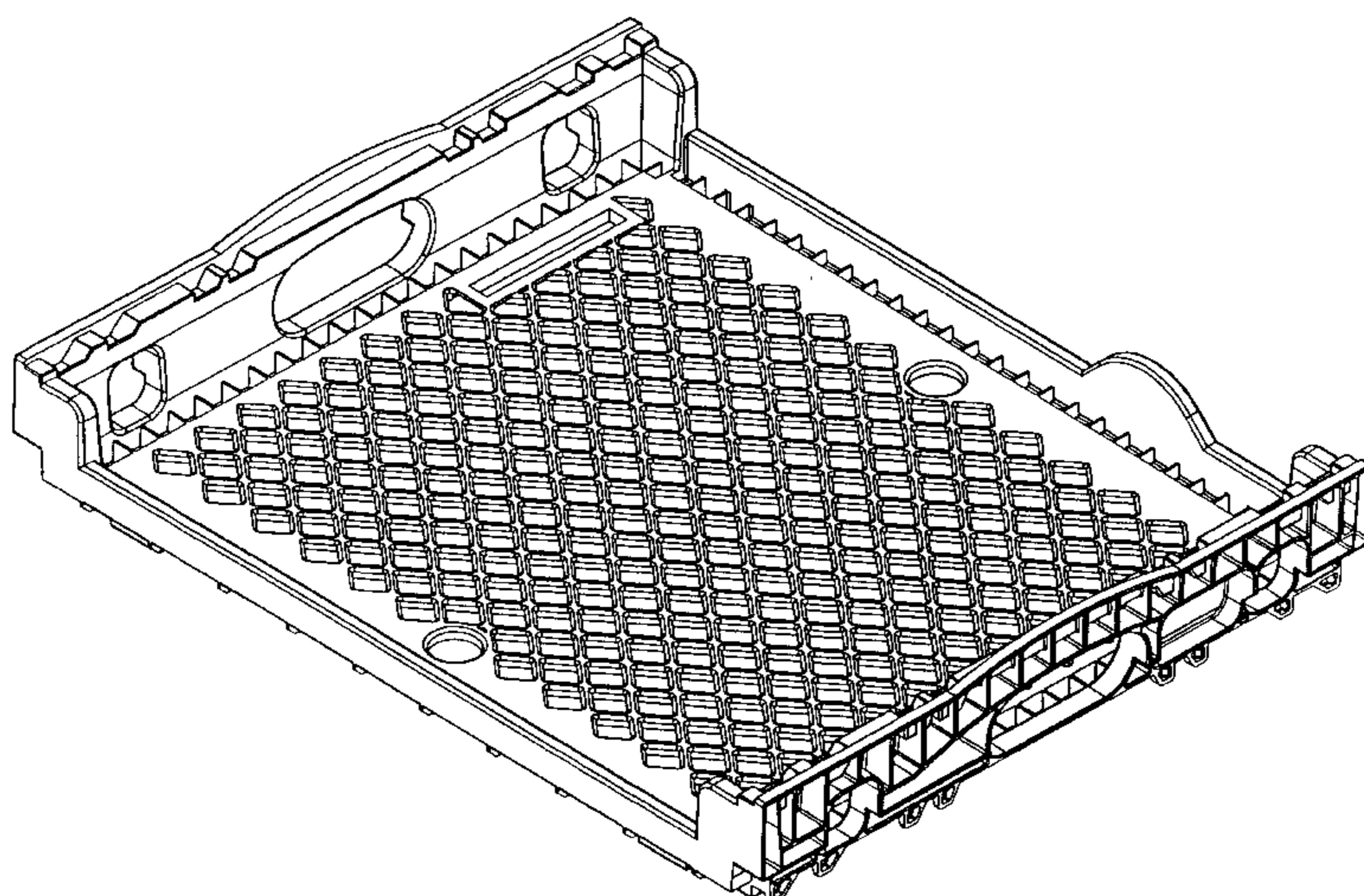
(56) **References Cited**

**U.S. PATENT DOCUMENTS**

D. 224,366	*	7/1972	Rehrig	.....	D3/312
D. 239,213		3/1976	Carroll	.	
D. 247,648	*	3/1978	Carroll et al.	.....	D3/312
D. 261,444	*	10/1981	Munch	.....	D3/312
D. 266,198		9/1982	Carroll et al.	.	
D. 319,908		9/1991	Stahl	.	
D. 354,167		1/1995	Stahl	.	
D. 400,012		10/1998	Apps	.	
D. 401,066	*	11/1998	Ackerman	.....	D3/307
D. 404,204		1/1999	Apps	.	
D. 421,183		2/2000	Koskinen	.	
D. 423,217		4/2000	Varfeldt	.	
D. 424,299		5/2000	Varfeldt	.	
D. 439,049	*	3/2001	Koefeldt	.....	D3/304
4,211,327		7/1980	Stahl et al.	.	
4,379,508		4/1983	Miller et al.	.	
4,383,611		5/1983	Kreeger	.	

(List continued on next page.)

**1 Claim, 11 Drawing Sheets**



# US D446,939 S

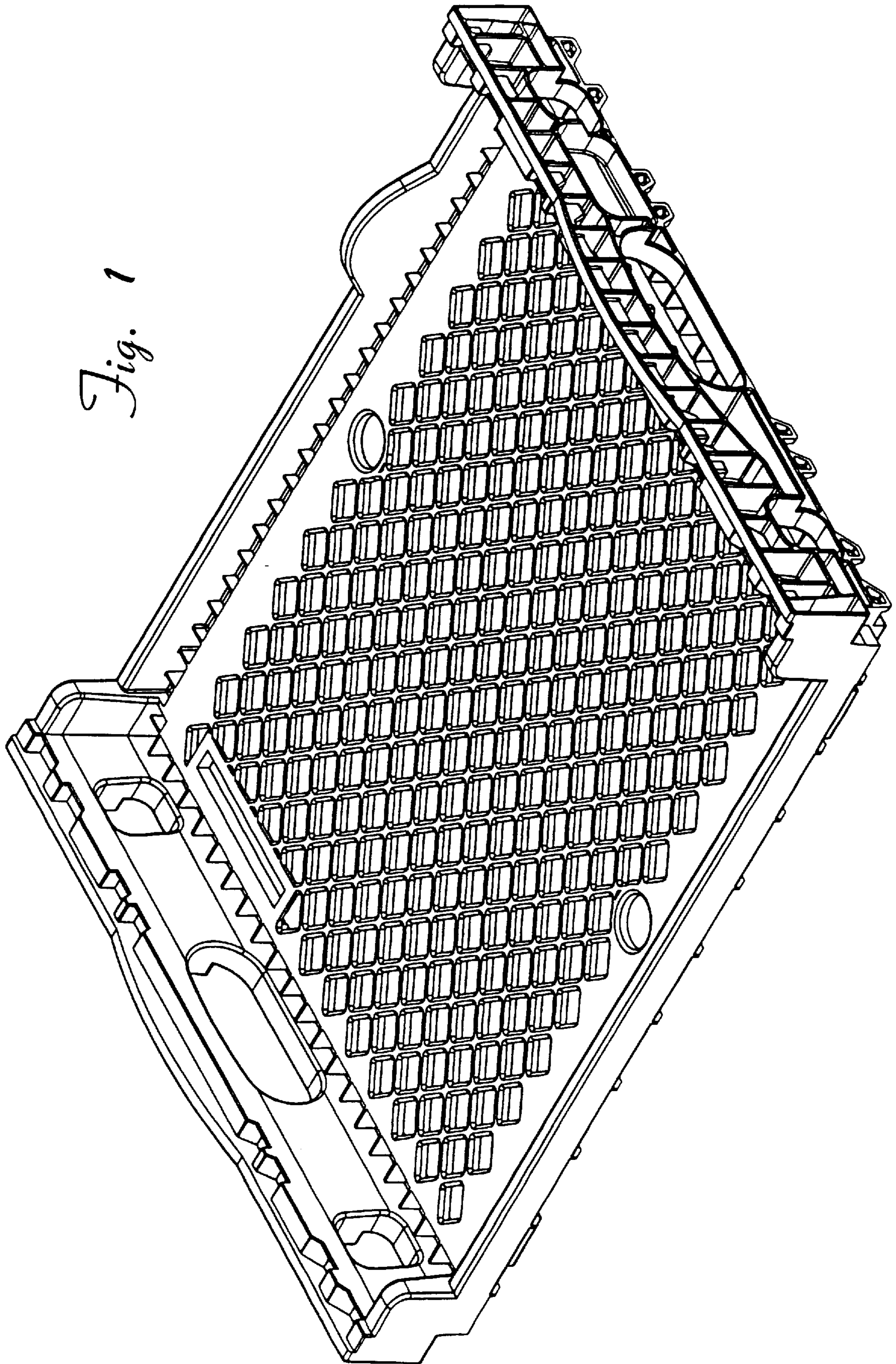
Page 2

---

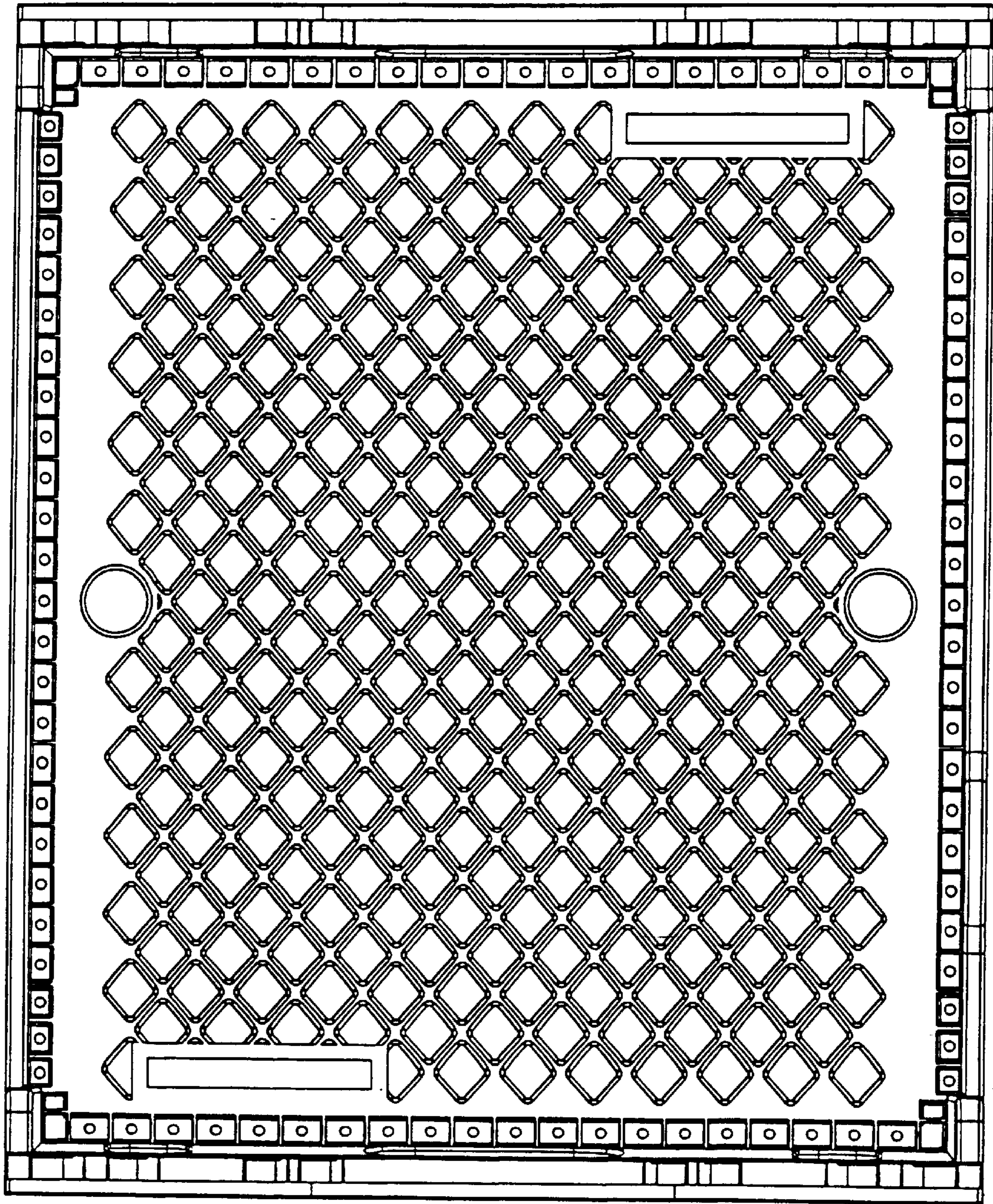
## U.S. PATENT DOCUMENTS

			5,035,326	7/1991	Stahl .
			5,287,966	2/1994	Stahl .
			5,344,022	9/1994	Stahl .
			5,704,482	1/1998	Apps et al. .
			5,722,550	3/1998	Ficker .
			5,881,902	3/1999	Ackermann .
			5,896,992	4/1999	McGrath .
4,402,408	9/1983	Kreeger et al. .			
4,426,001	1/1984	Stahl et al. .			
4,440,302	4/1984	Ehrman et al. .			
4,523,681	6/1985	Kreeger .			
4,600,103	7/1986	Tabler .			
4,619,366	10/1986	Kreeger .			
4,936,458	6/1990	Tabler et al. .			
4,960,207	10/1990	Tabler et al. .			

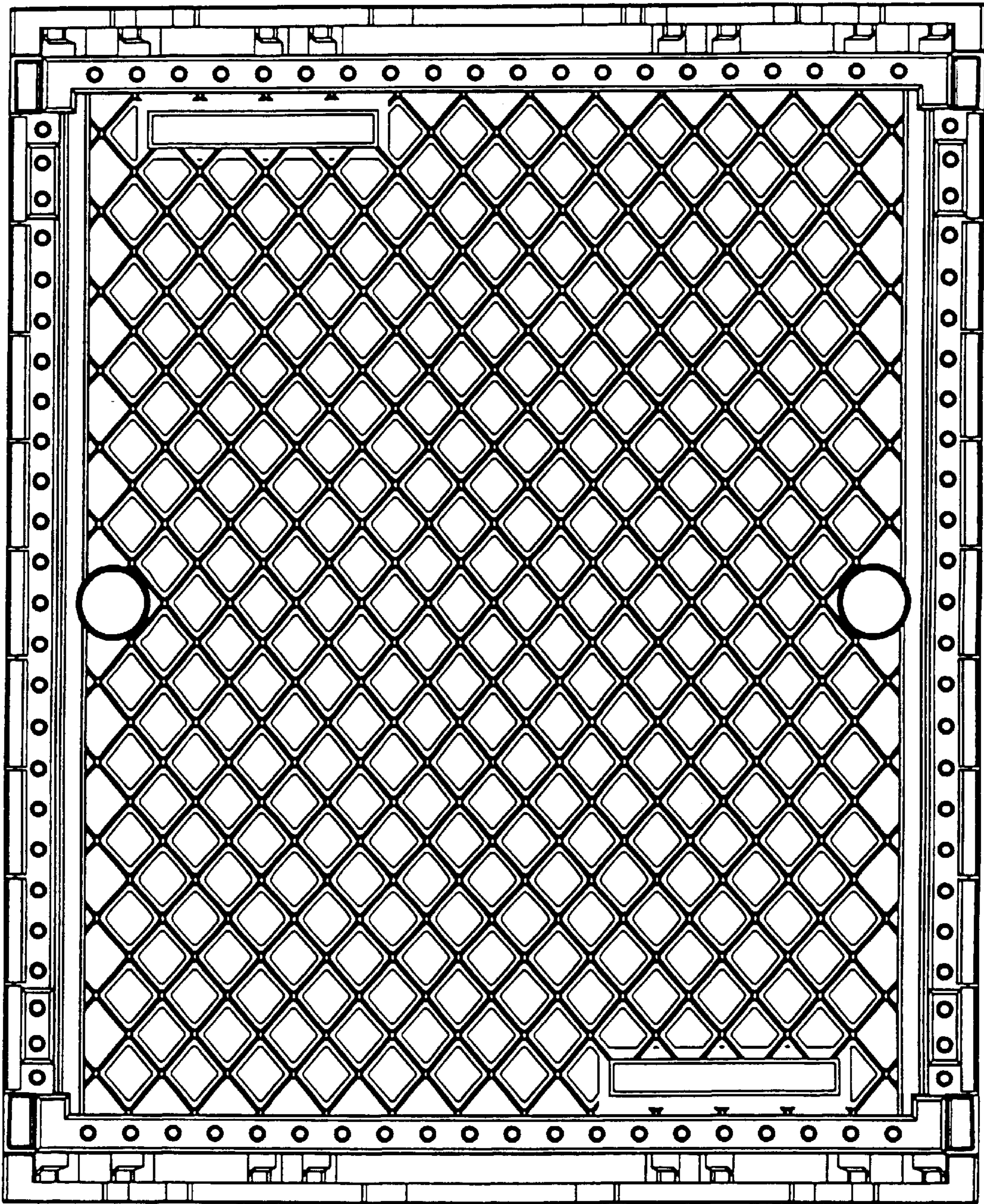
\* cited by examiner



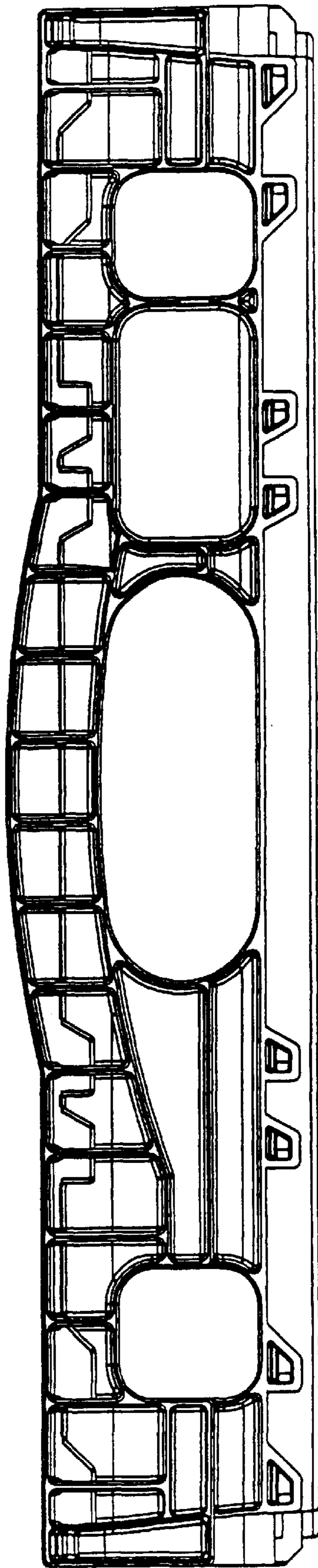
*Fig. 1*



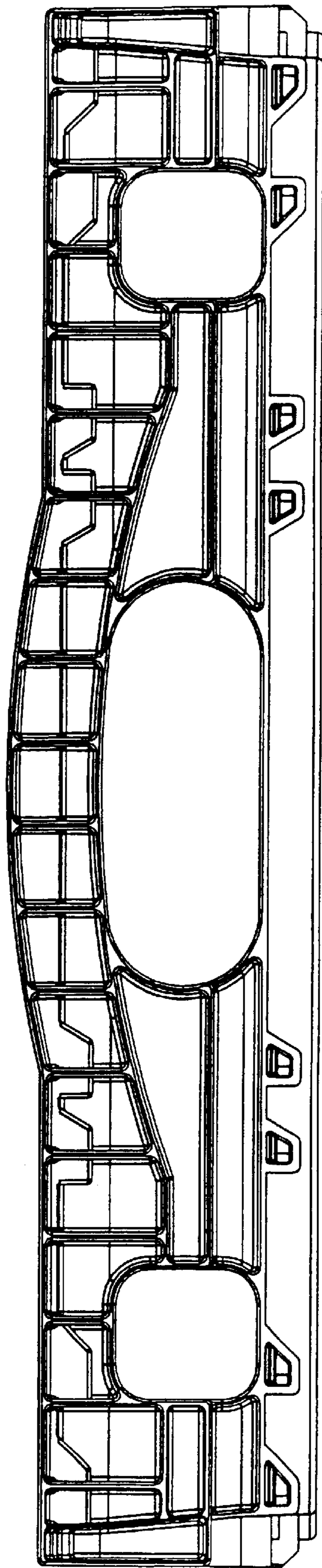
*Fig. 2*



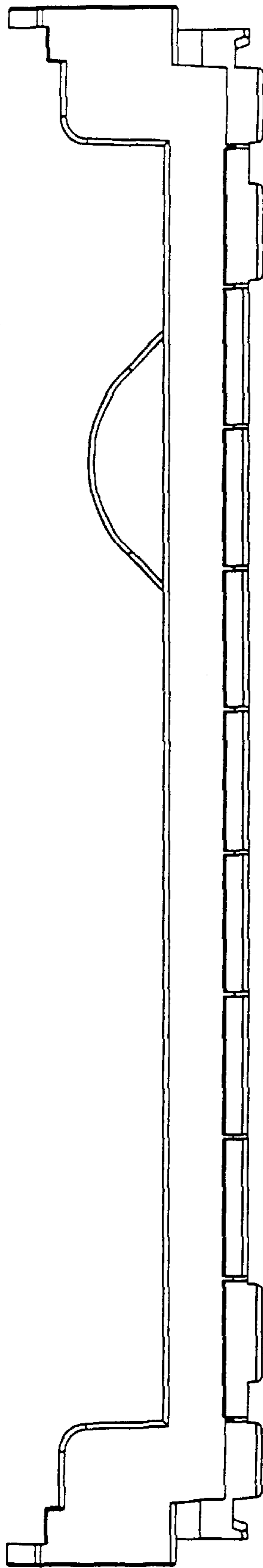
*Fig. 3*



*Fig. 4*

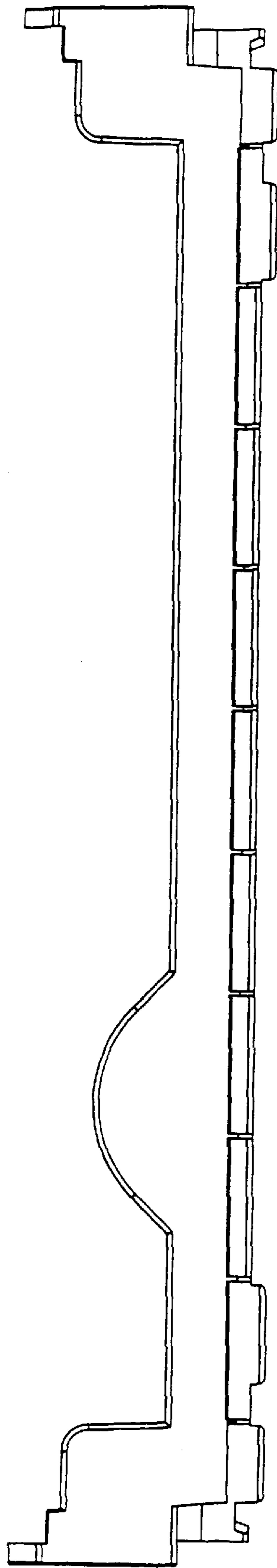


*Fig. 5*



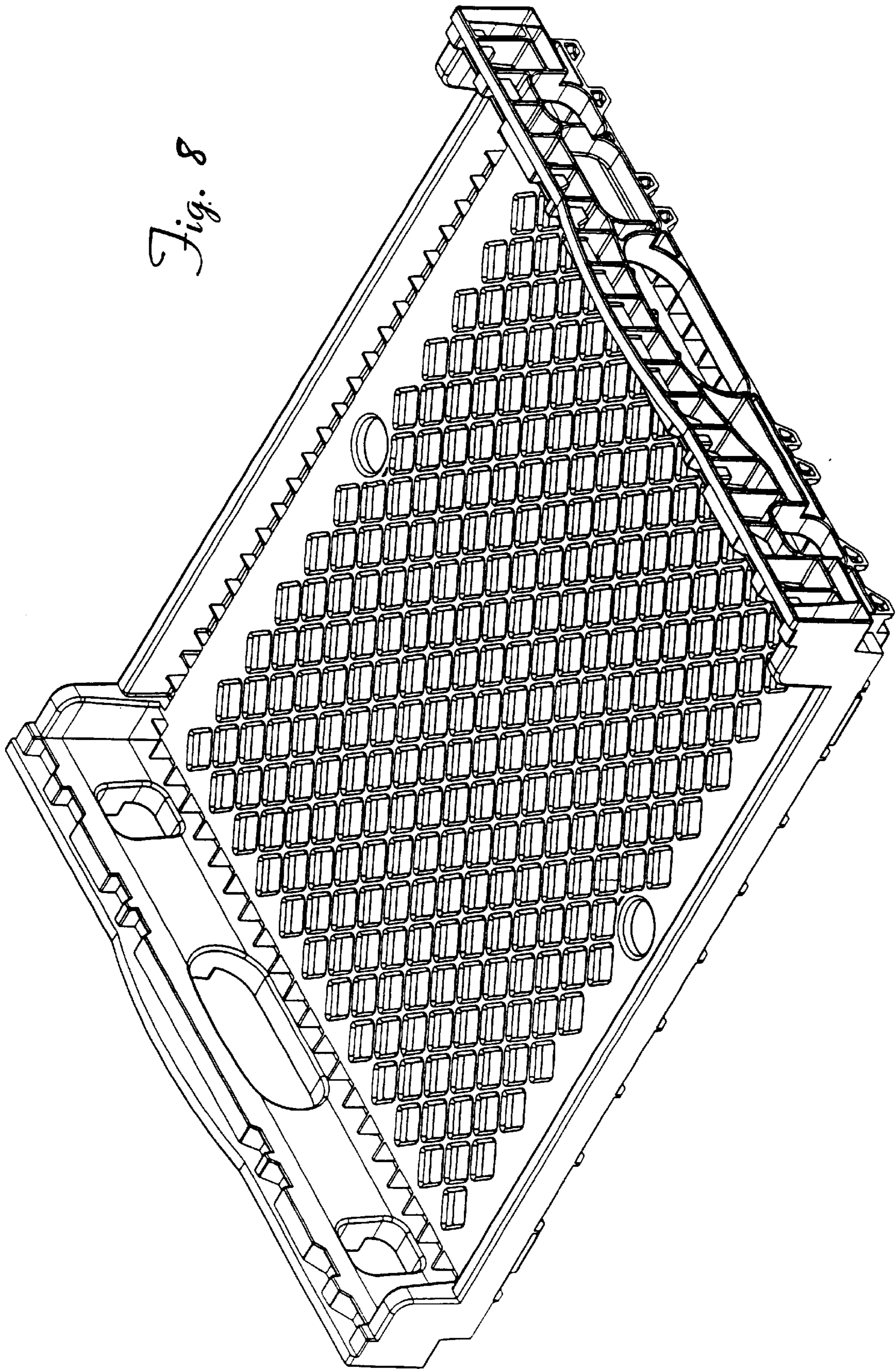
*Fig. 6*



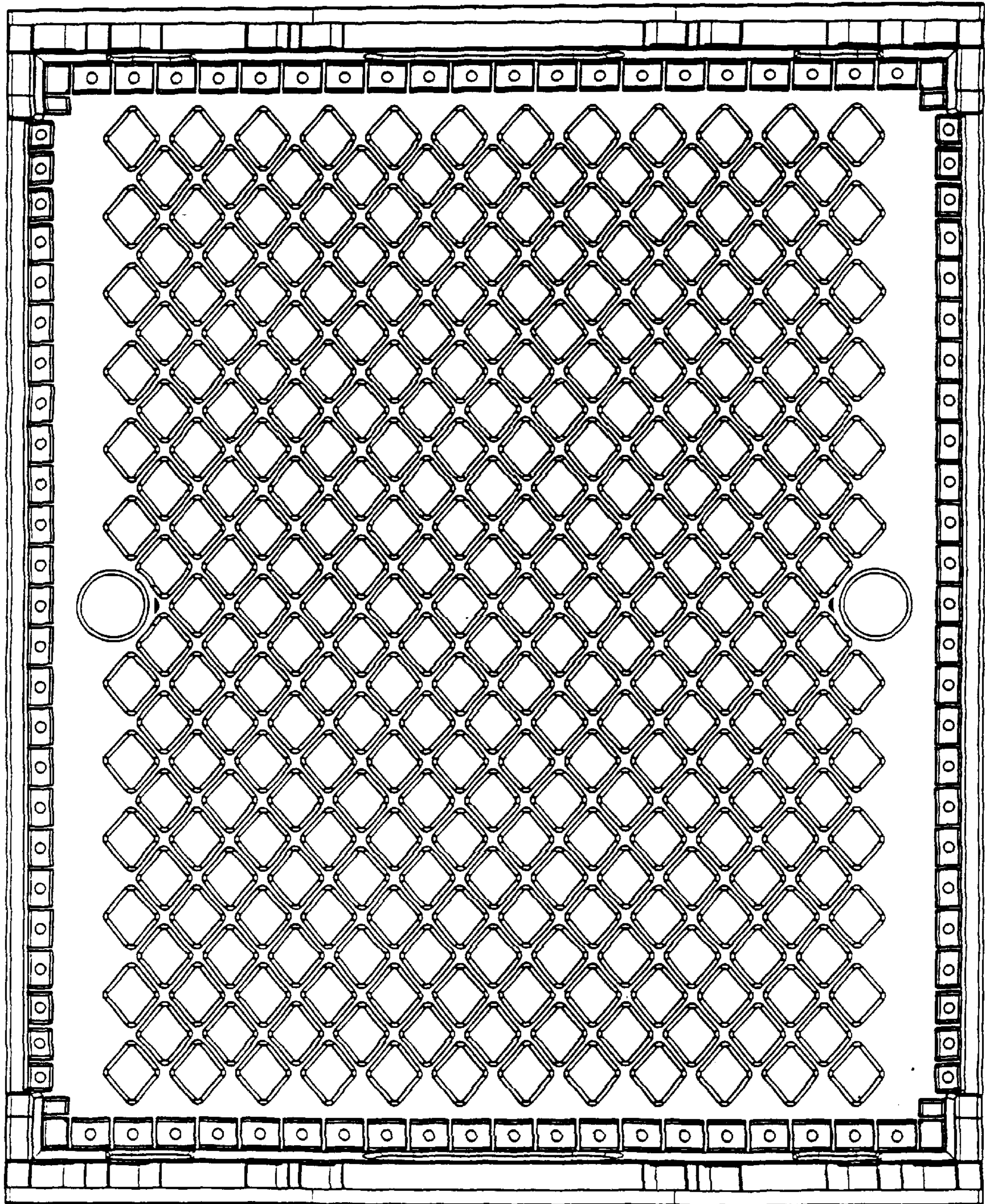


*Fig. 7*

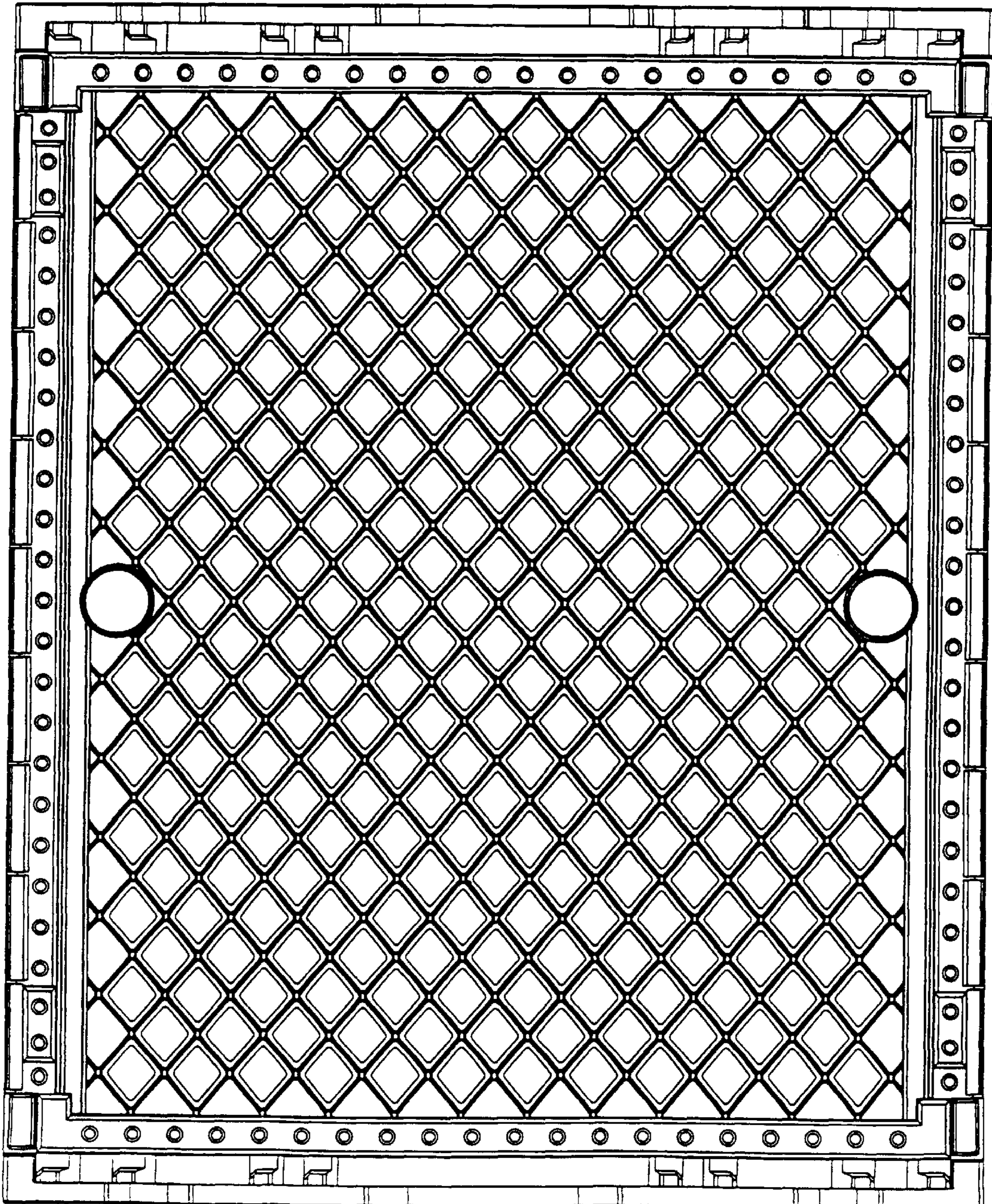
*Fig. 8*

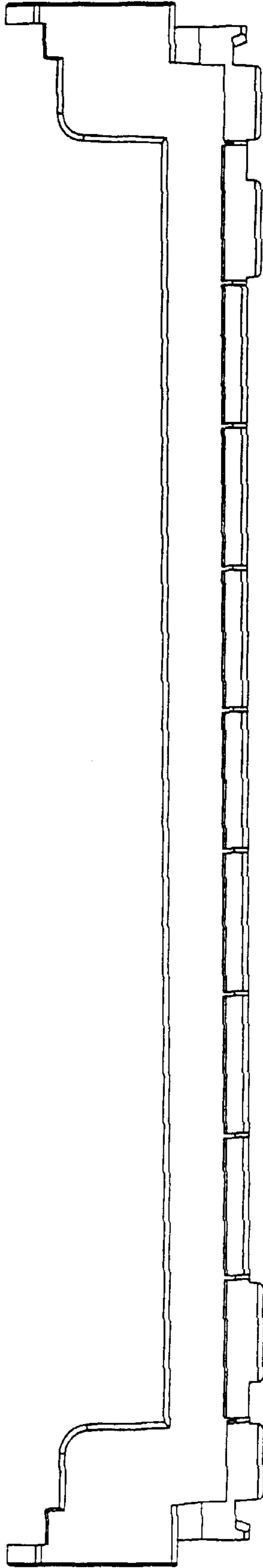


*Fig. 9*



*Fig. 10*





*Fig. 11*