



US00D446937B1

(12) **United States Design Patent**
Mogil

(10) **Patent No.:** **US D446,937 S**

(45) **Date of Patent:** **** Aug. 28, 2001**

(54) **CONTAINER**

(75) Inventor: **Melvin S. Mogil**, Toronto (CA)

(73) Assignee: **California Innovations, Inc.**, Ontario (CA)

(**) Term: **14 Years**

(21) Appl. No.: **29/105,733**

(22) Filed: **Jun. 1, 1999**

(51) **LOC (7) Cl.** **03-01**

(52) **U.S. Cl.** **D3/301; D3/273; D3/289**

(58) **Field of Search** **D3/273, 276, 283, D3/284, 285, 287, 288, 289, 301; 190/100, 107, 110, 111, 112; 206/541**

(56) **References Cited**

U.S. PATENT DOCUMENTS

D. 273,533 * 4/1984 Weinreb D3/287

(List continued on next page.)

Primary Examiner—Philip S. Hyder

(74) *Attorney, Agent, or Firm*—Arent Fox Kintner Plotkin & Kahn, PLLC

(57) **CLAIM**

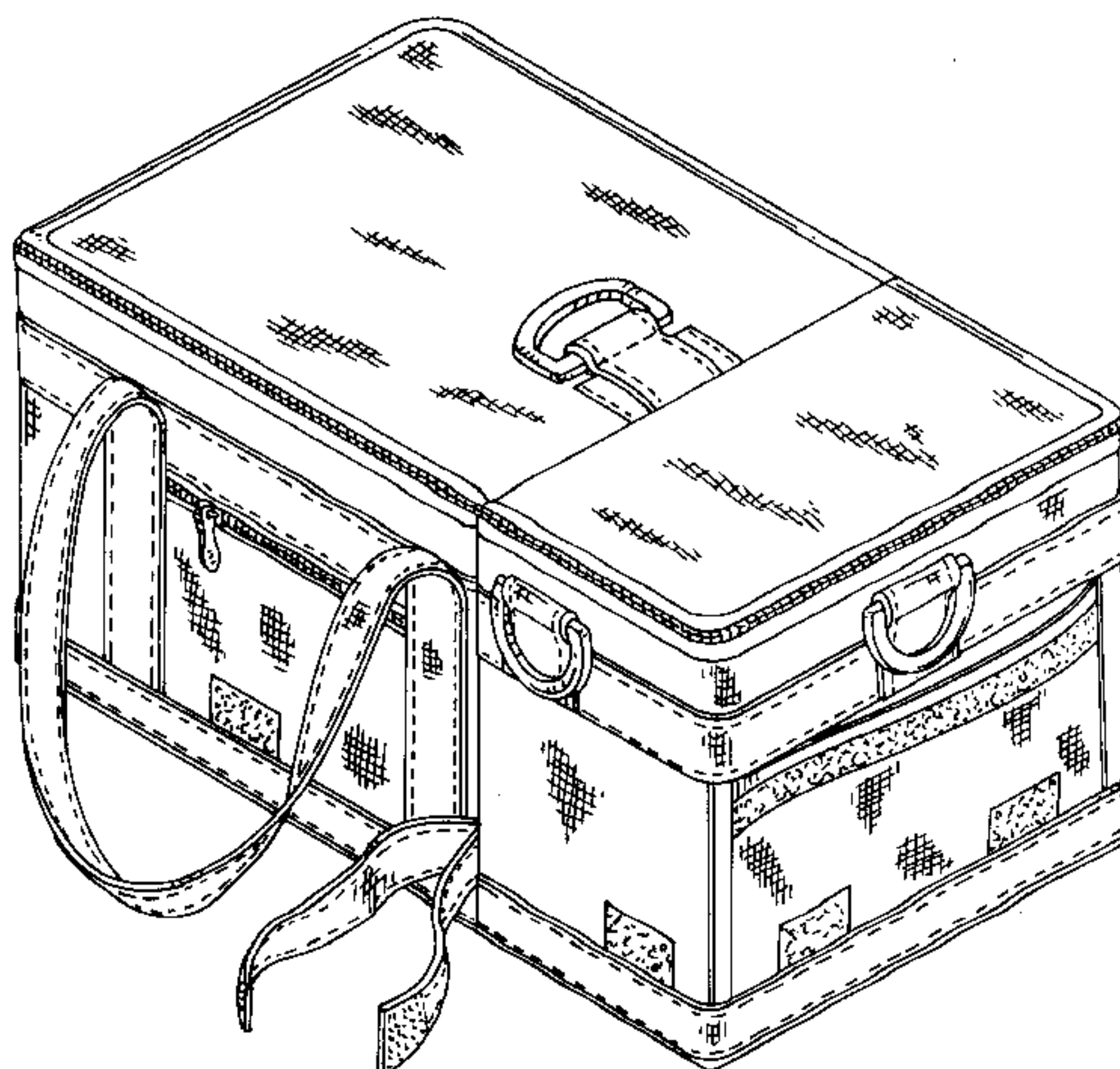
The ornamental design for a container, as shown and described.

DESCRIPTION

FIG. 1 is an isometric view of the design showing the container from above one diagonal corner;
FIG. 2 is an isometric view of the design from above the diagonally opposite corner to that of FIG. 1;
FIG. 3 is a left-hand elevation of the container of FIG. 1;
FIG. 4 is a right-hand elevation of the container of FIG. 1;
FIG. 5 is a near end view of the container of FIG. 1;
FIG. 6 is a far end view of the container of FIG. 1;
FIG. 7 is a plan view of the container of FIG. 1;
FIG. 8 is a bottom view of the container of FIG. 1;
FIG. 9 is a view of the container of FIG. 1 in a collapsed position, taken from the same view point as FIG. 1;

FIG. 10 is a view of the container of FIG. 1 in the collapsed position of FIG. 9 taken from above the opposite diagonal corner from FIG. 9;
FIG. 11 is a near end view of the container in FIG. 9 in the collapsed position;
FIG. 12 is a far end view of the container of FIG. 9 in the collapsed position;
FIG. 13 is a right-hand elevation of the container of FIG. 9 in the collapsed position;
FIG. 14 is a left-hand elevation of the collapsed container of FIG. 9;
FIG. 15 is a plan view of the container of FIG. 9 in the collapsed position;
FIG. 16 is a bottom view of the container of FIG. 9 in a collapsed position;
FIG. 17 is an isometric view of a strapless variant of the container showing the container from above one diagonal corner;
FIG. 18 is an isometric view of the design from above the diagonally opposite corner to that of FIG. 17;
FIG. 19 is a left-hand elevation of the container of FIG. 17;
FIG. 20 is a right-hand elevation of the container of FIG. 17;
FIG. 21 is a near end view of the container of FIG. 17;
FIG. 22 is a far end view of the container of FIG. 17;
FIG. 23 is a plan view of the container of FIG. 17;
FIG. 24 is a bottom view of the container of FIG. 17;
FIG. 25 is a view of the container of FIG. 17 in a collapsed position, taken from the same view point as FIG. 17;
FIG. 26 is a view of the container of FIG. 17 in a collapsed position taken from above the opposite diagonal corner from FIG. 25;
FIG. 27 is a near end view of the container of FIG. 25 in the collapsed position;
FIG. 28 is a far end view of the container of FIG. 25 in the collapsed position;
FIG. 29 is a right-hand elevation of the collapsed container of FIG. 25;
FIG. 30 is a left-hand elevation of the collapsed container of FIG. 25;
FIG. 31 is a plan view of the collapsed container of FIG. 25;
and,
FIG. 32 is a bottom view of the collapsed container of FIG. 25.

1 Claim, 22 Drawing Sheets



US D446,937 S

Page 2

U.S. PATENT DOCUMENTS			
		4,598,746 * 7/1986	Rabinowitz 206/545
		4,796,758 * 1/1989	Hauk 206/545
		5,505,307 * 4/1996	Shink 206/541
		5,904,230 * 5/1999	Peterson 190/107
D. 340,387	* 10/1993	Melk D3/289	
D. 373,515	* 9/1996	Melk D3/301	
D. 375,835	* 11/1996	Christopher et al. D3/285	
D. 414,379	* 9/1999	Haberkorn D3/287	

* cited by examiner

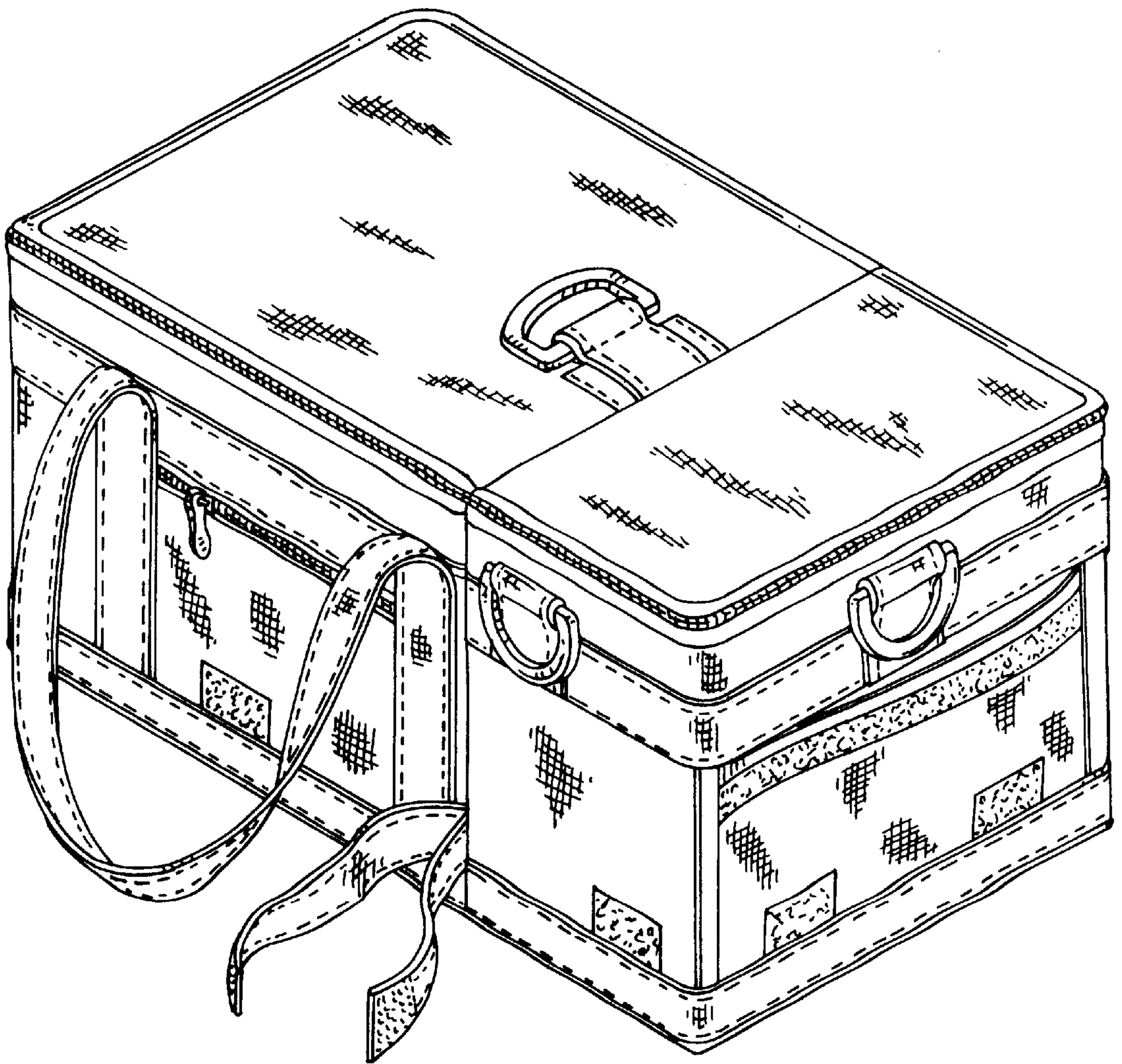


FIG. 1

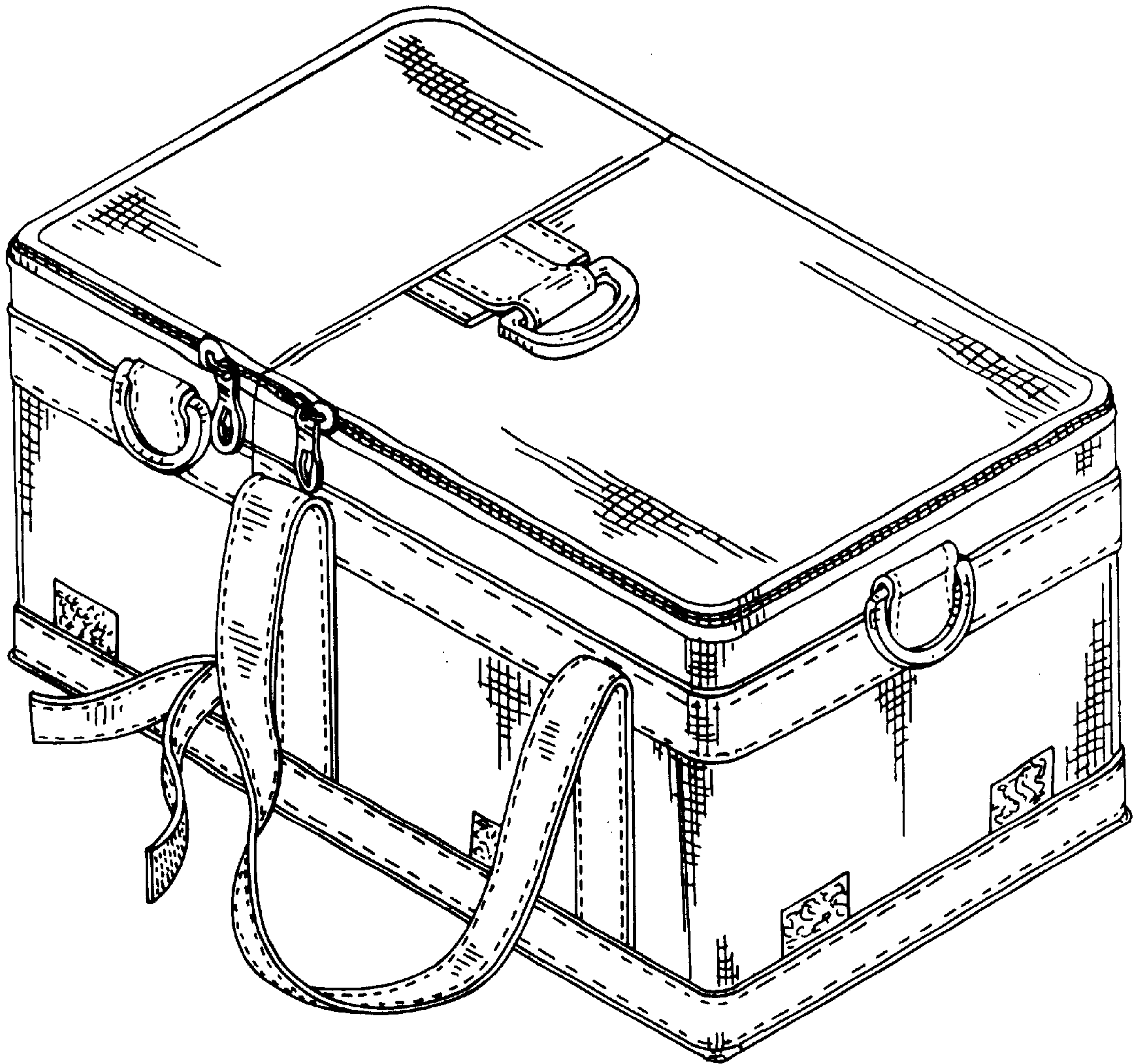


FIG. 2

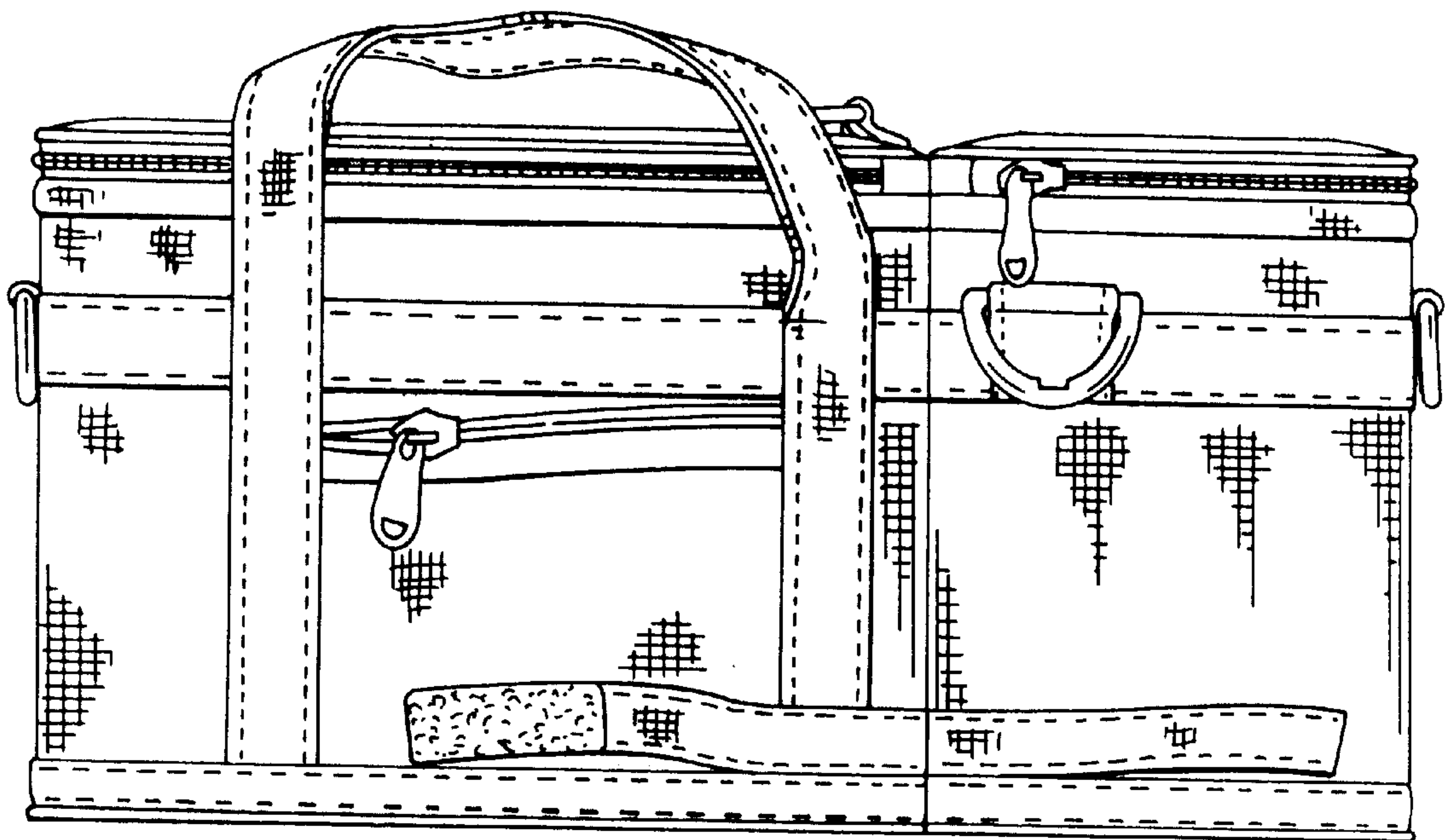


FIG. 3

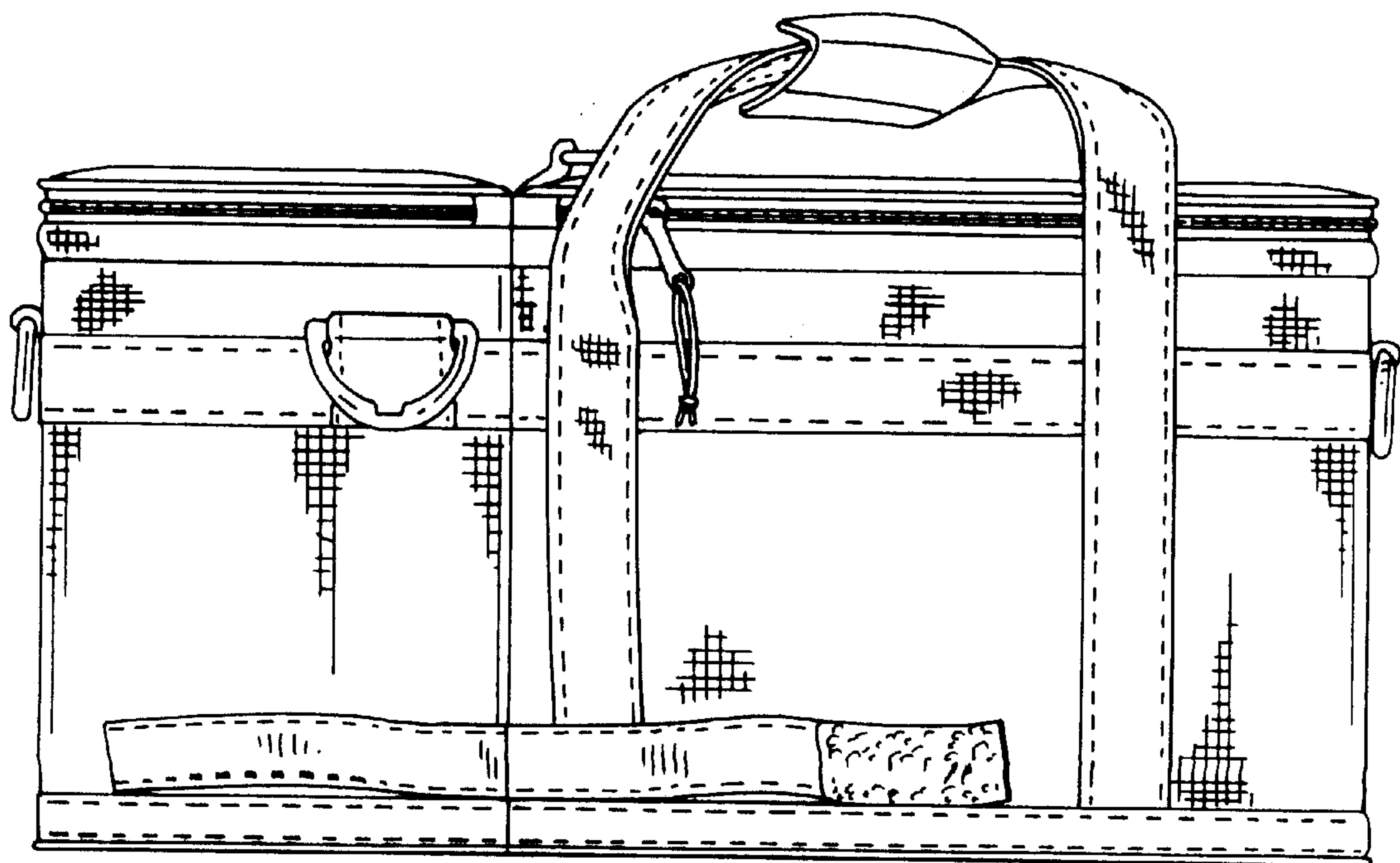


FIG. 4

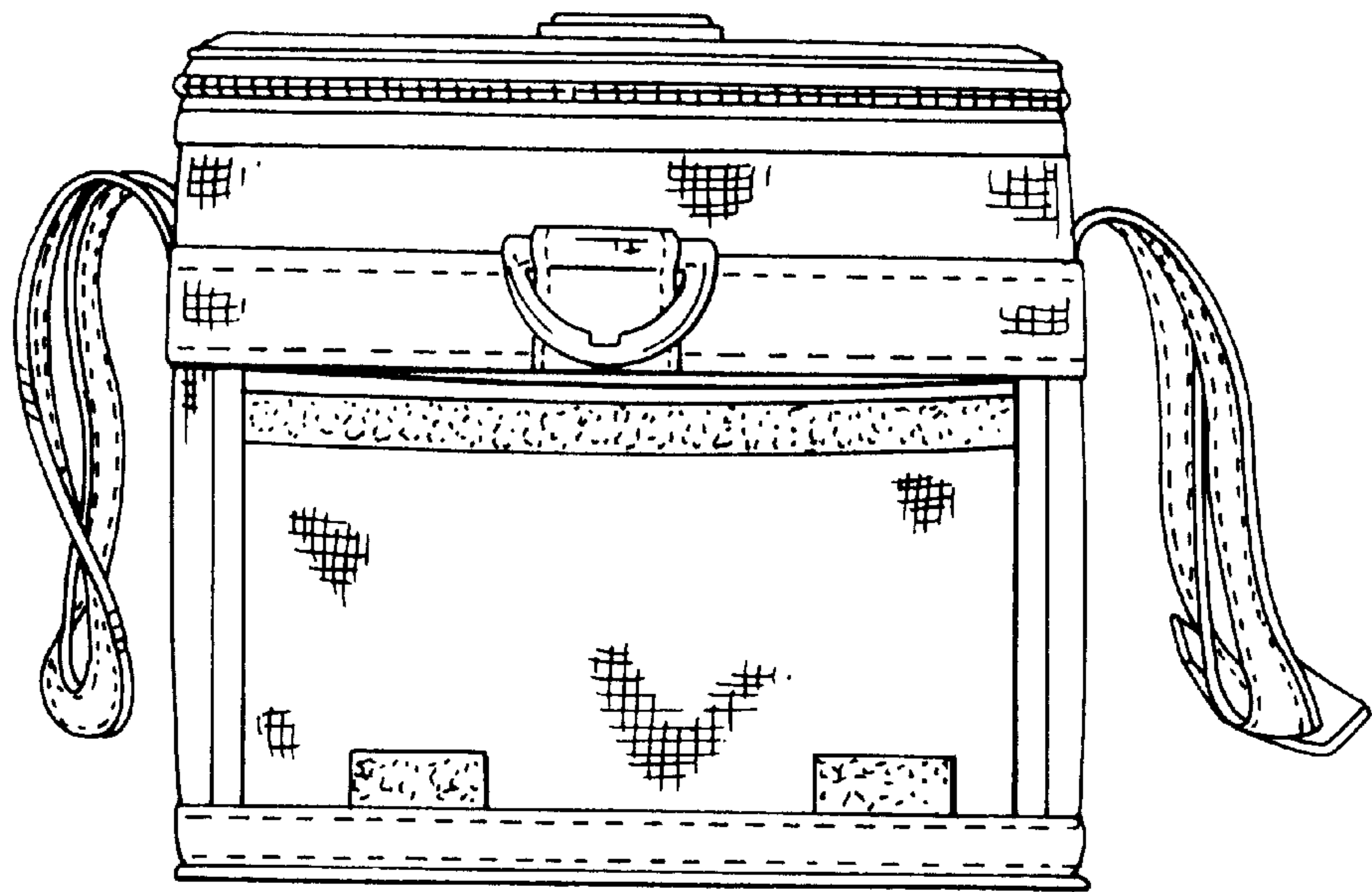


FIG. 5

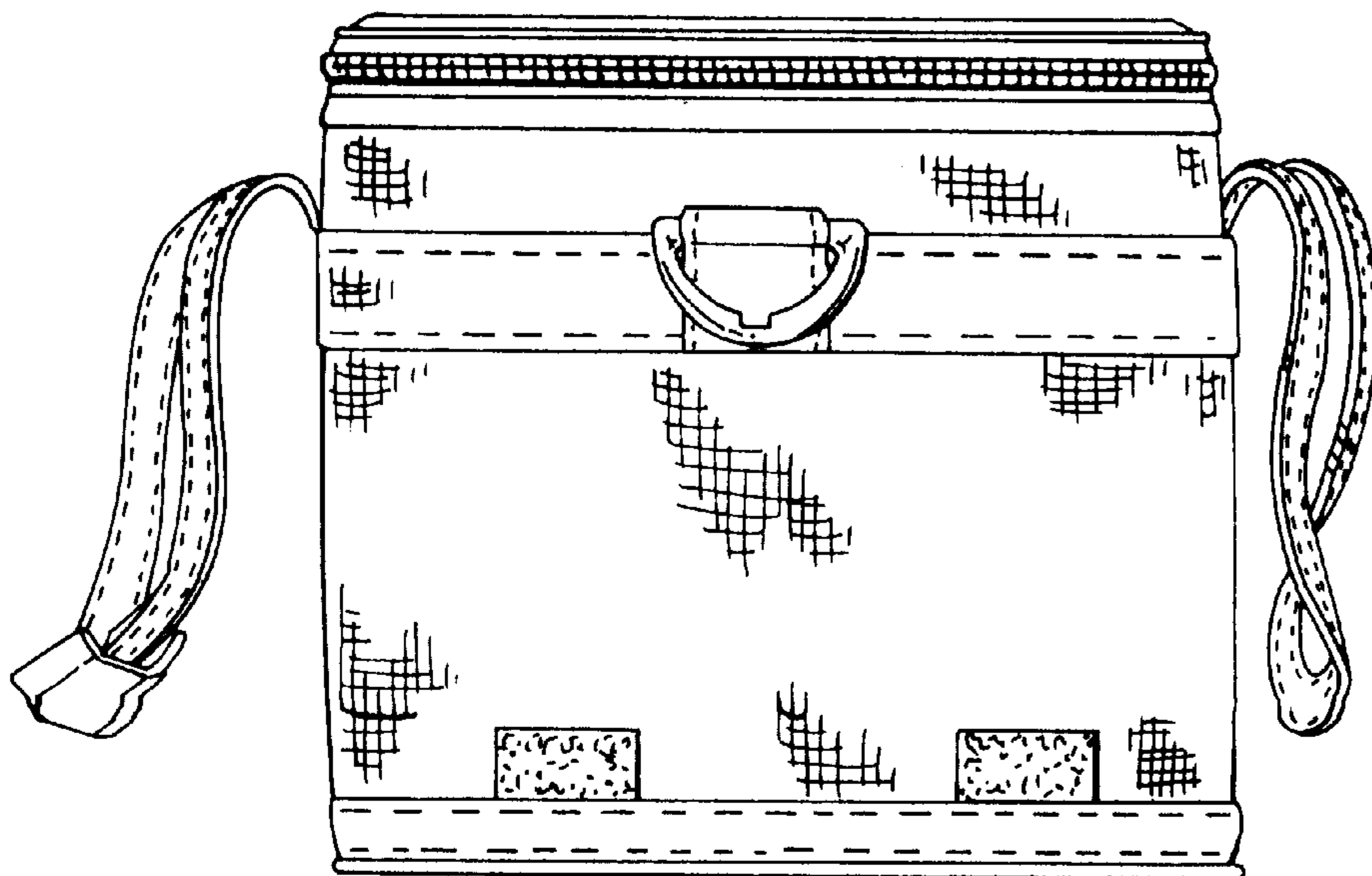


FIG. 6

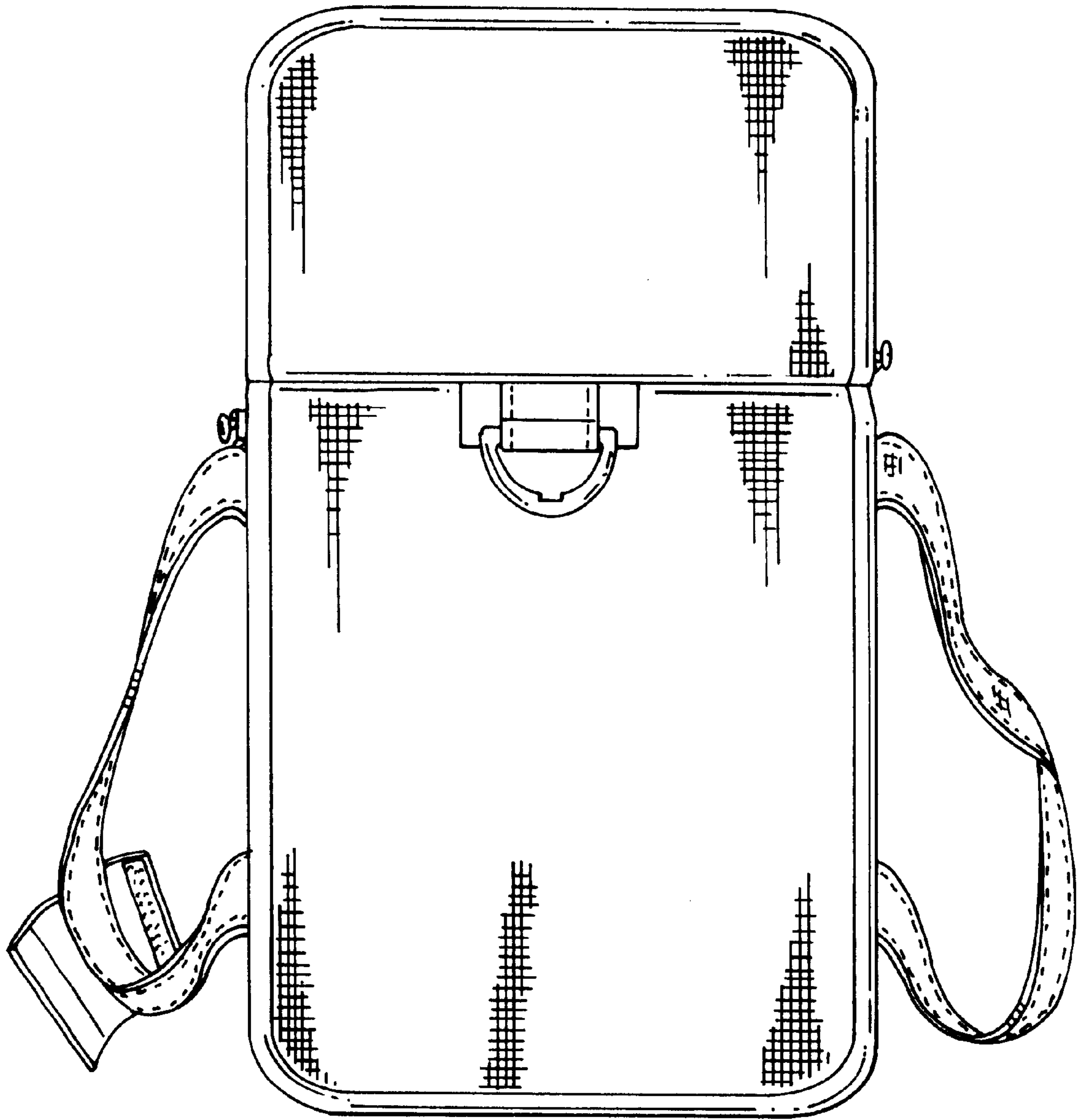


FIG. 7

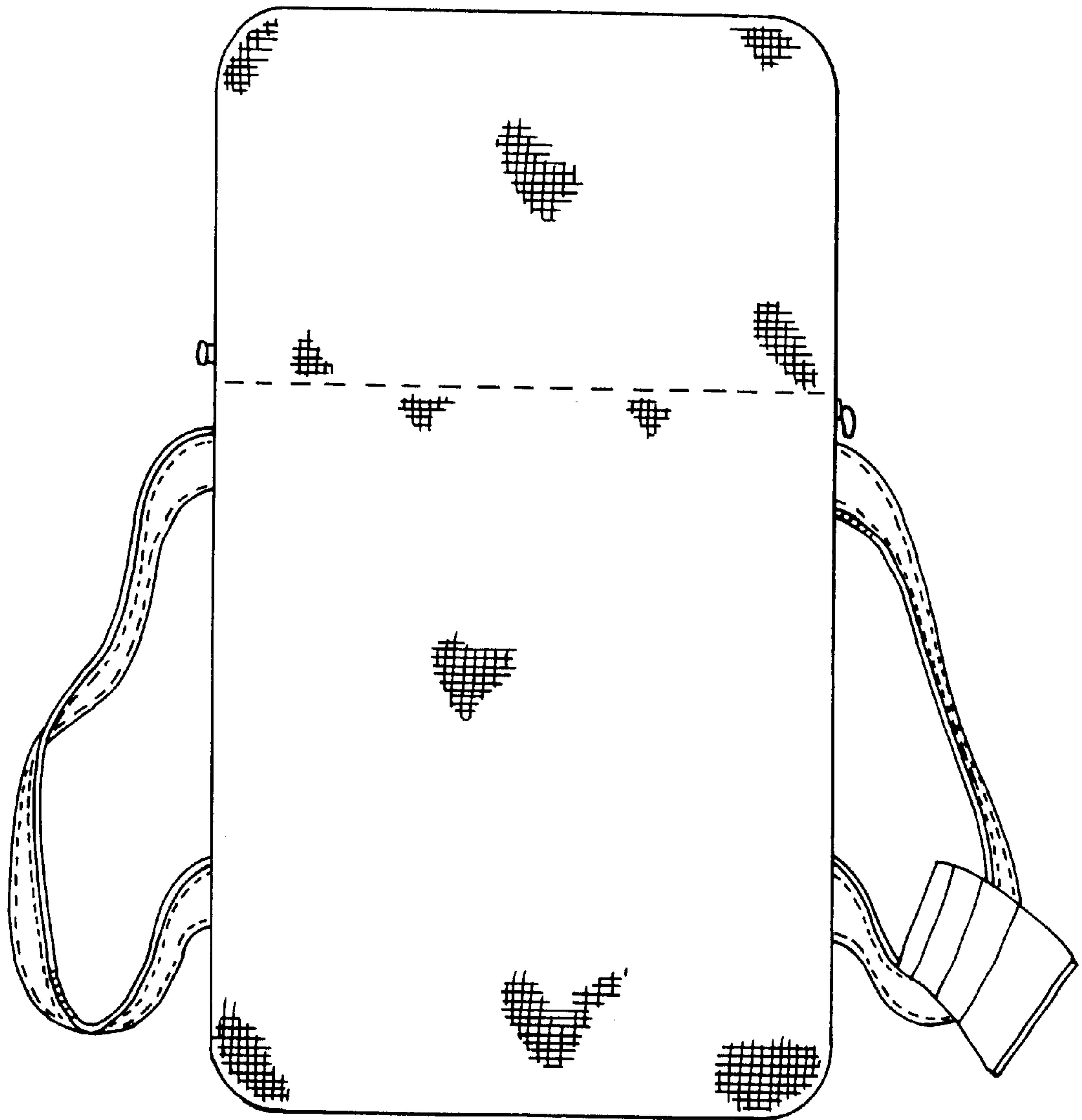


FIG. 8

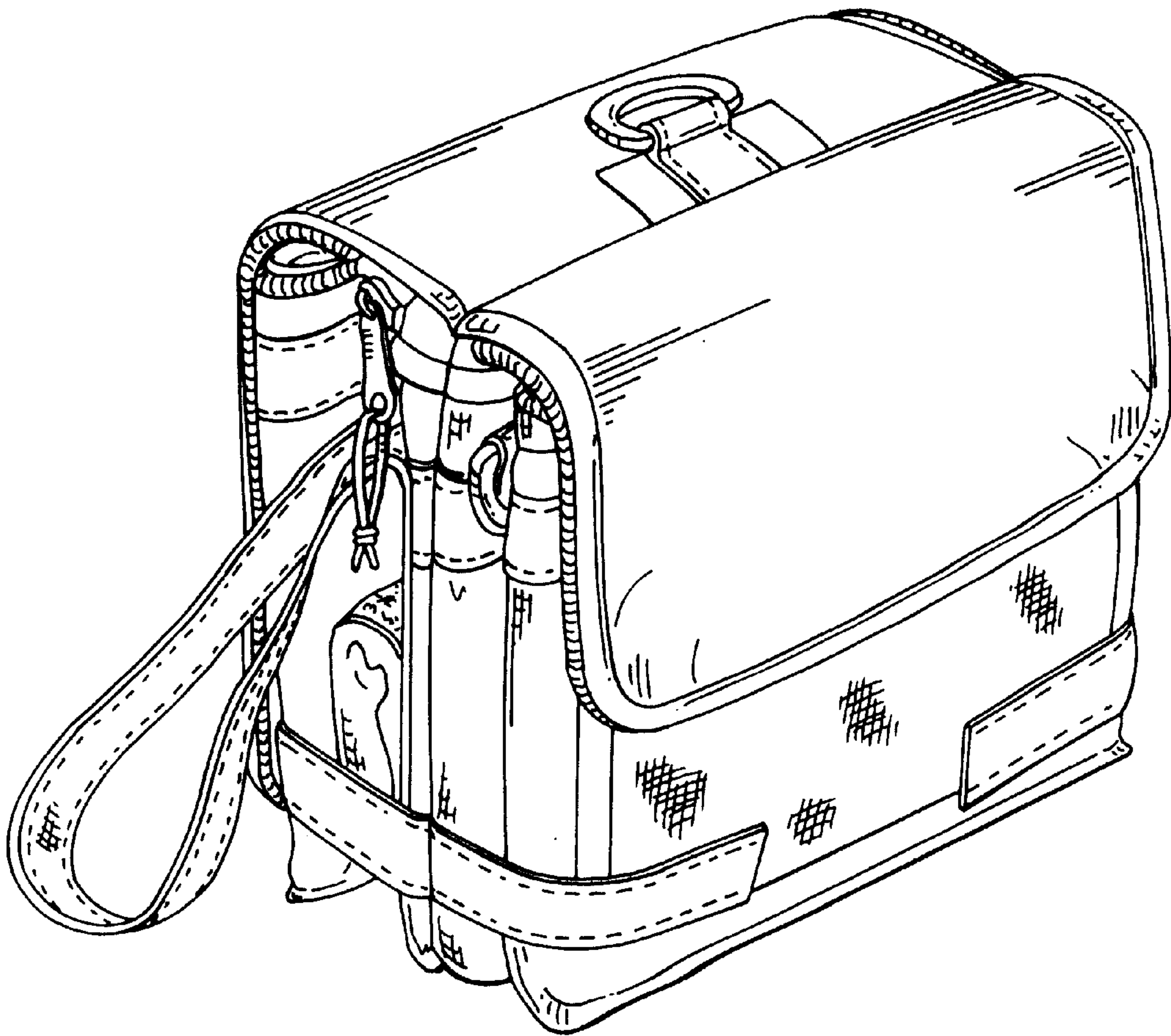


FIG. 9

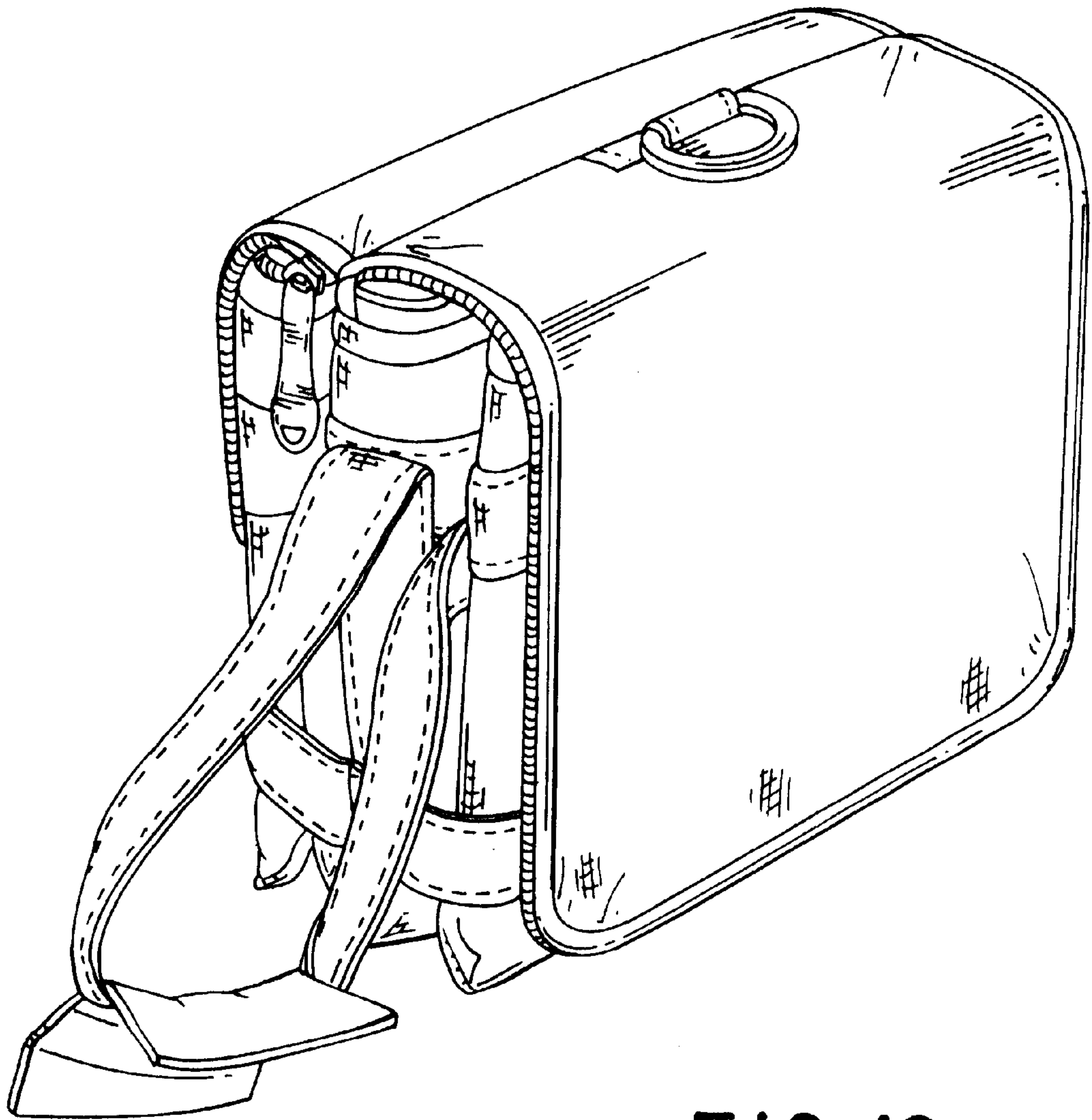


FIG. 10

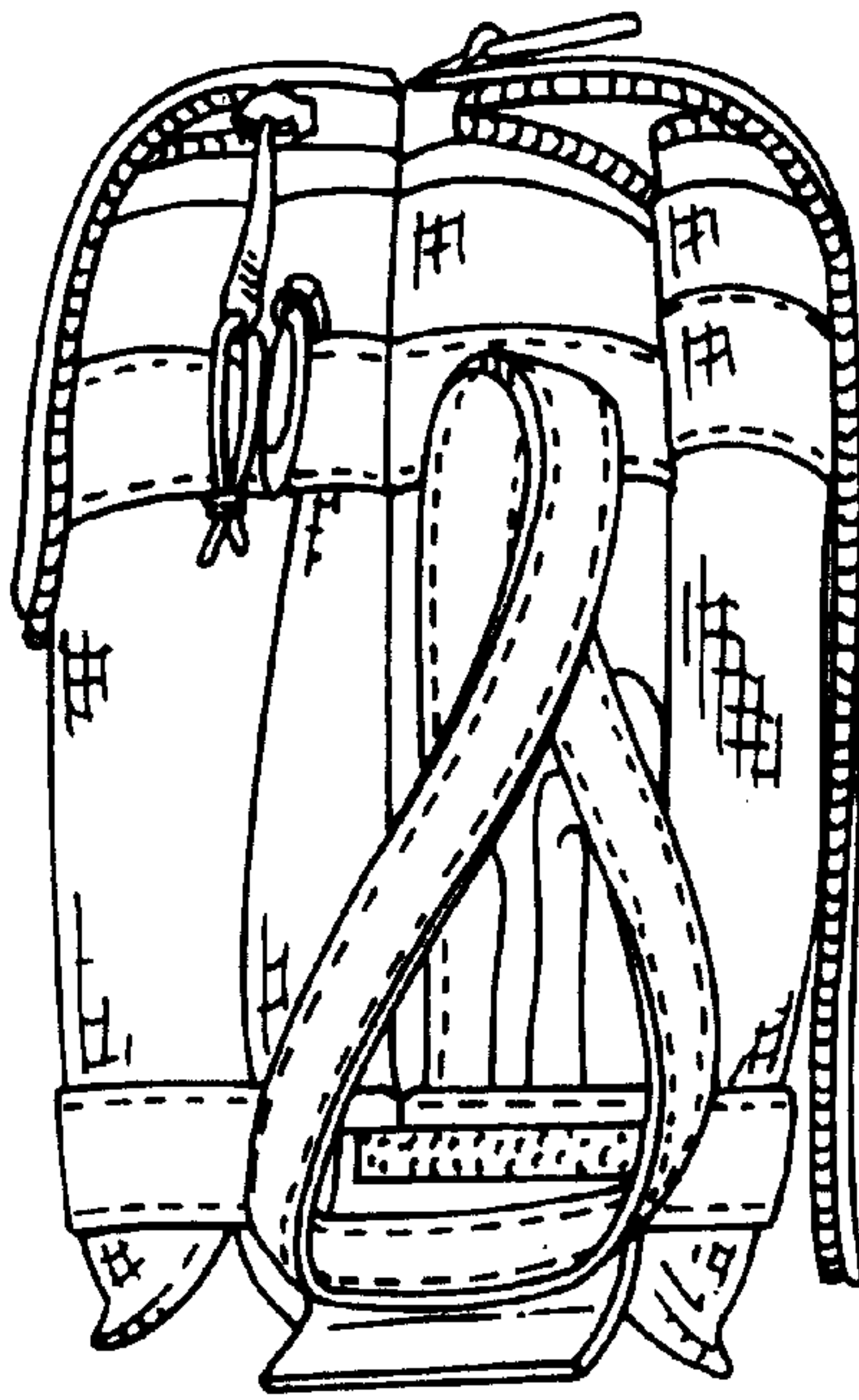


FIG. 11

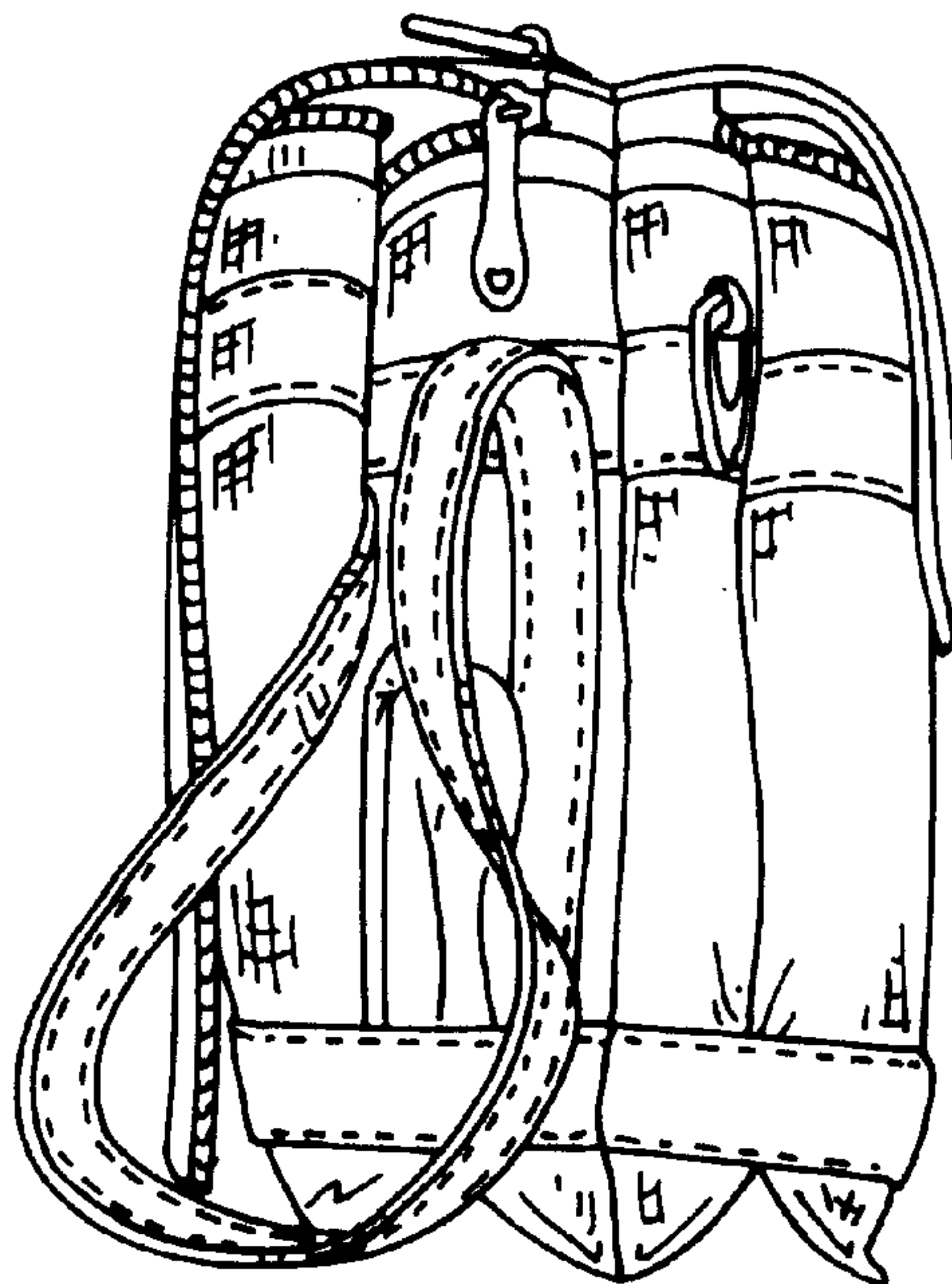


FIG. 12

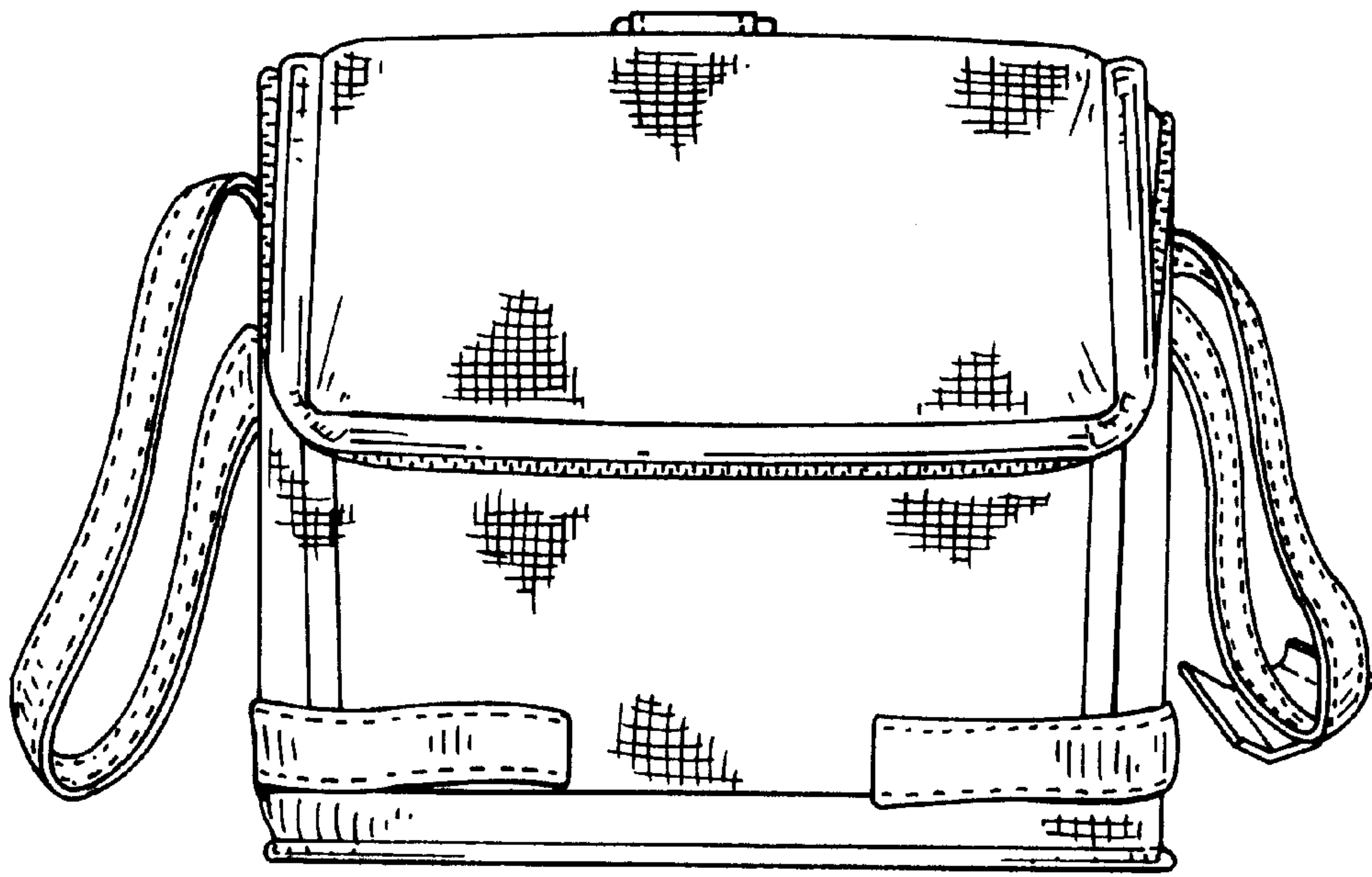


FIG. 13

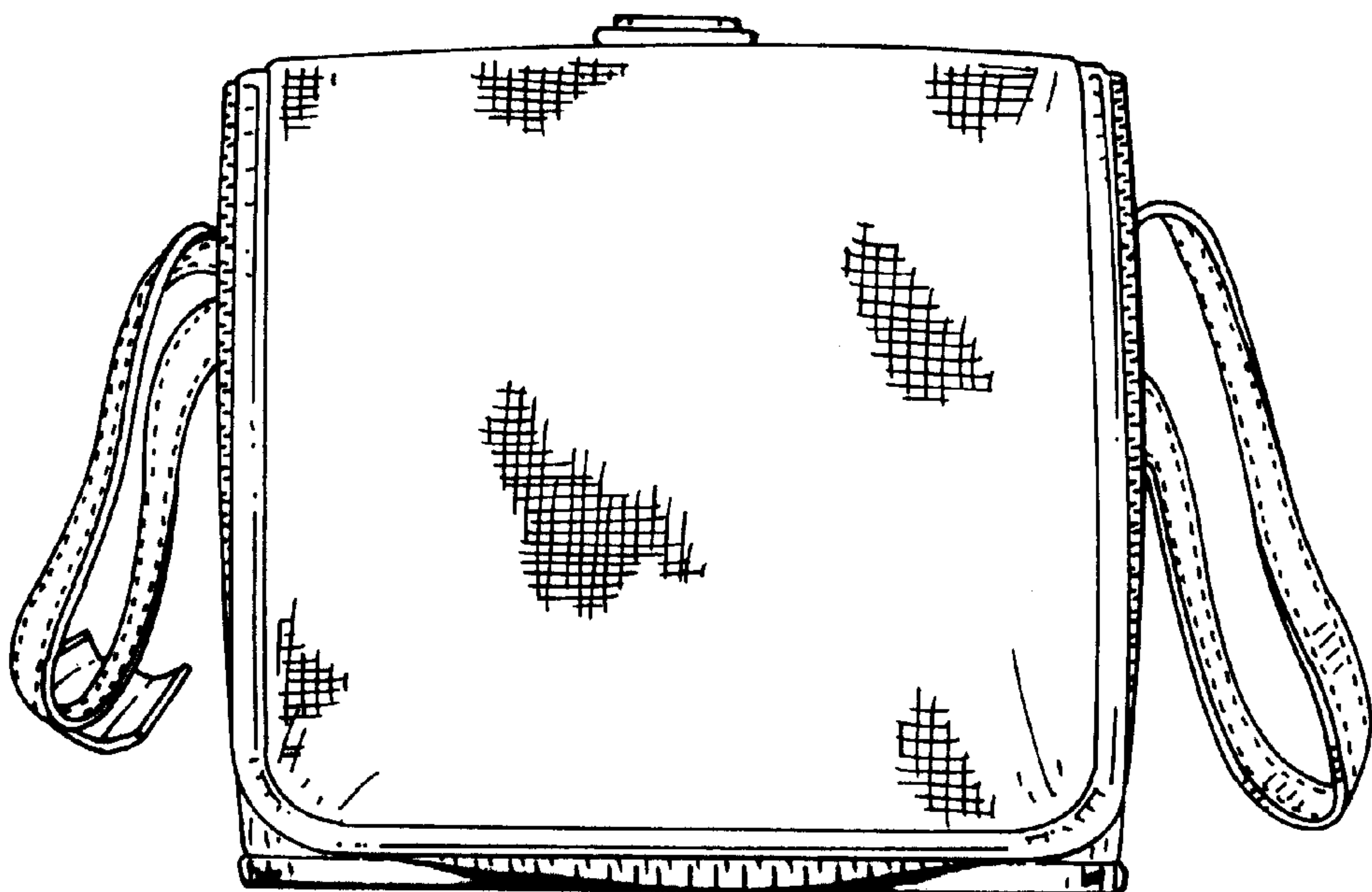


FIG. 14

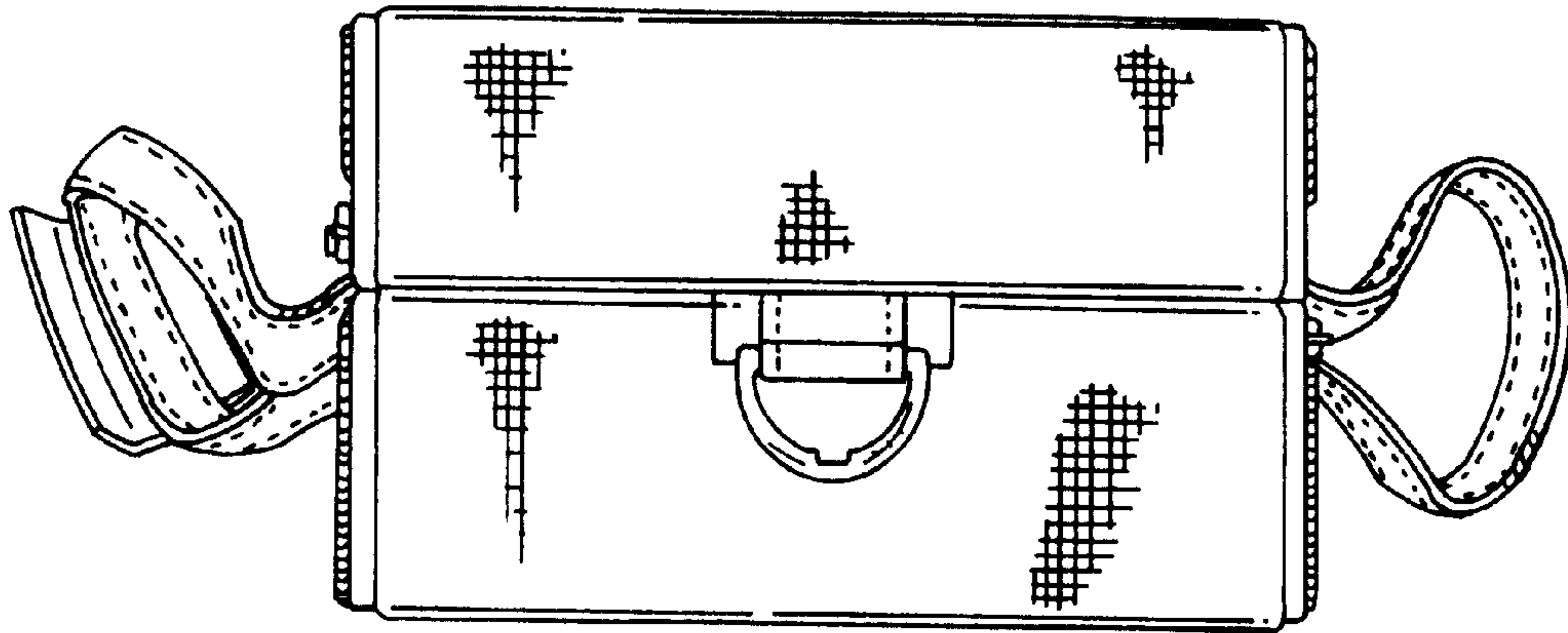


FIG. 15

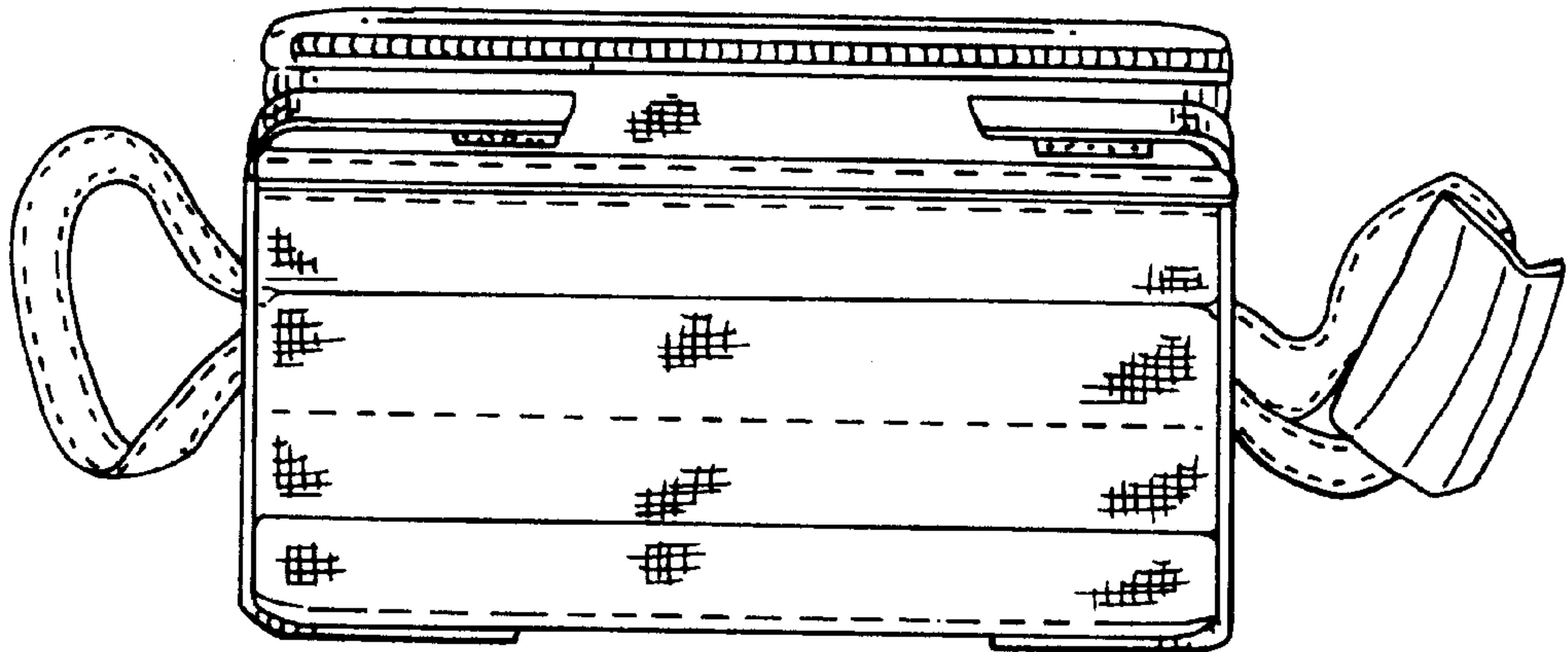


FIG. 16

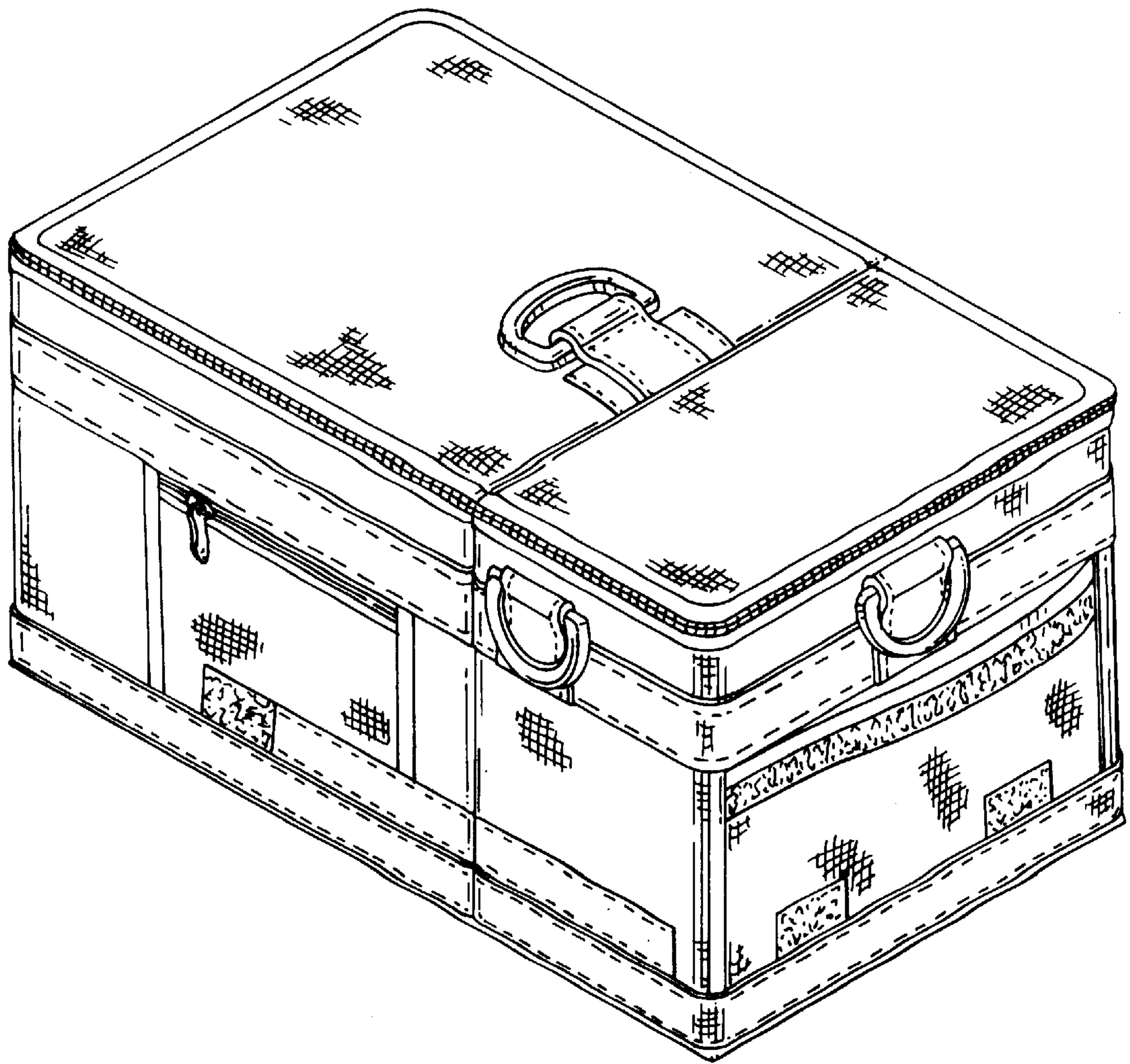


FIG. 17

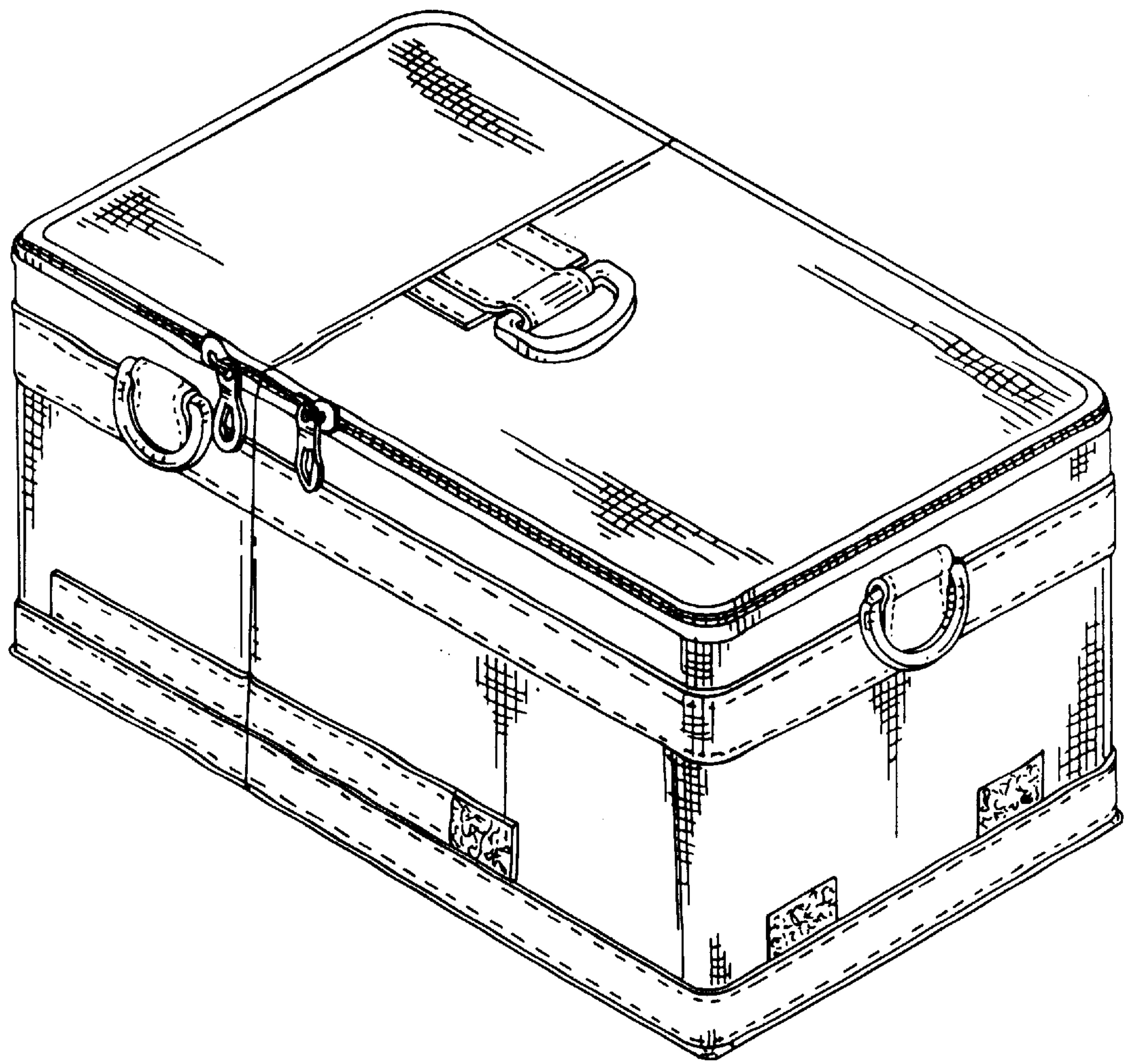


FIG. 18

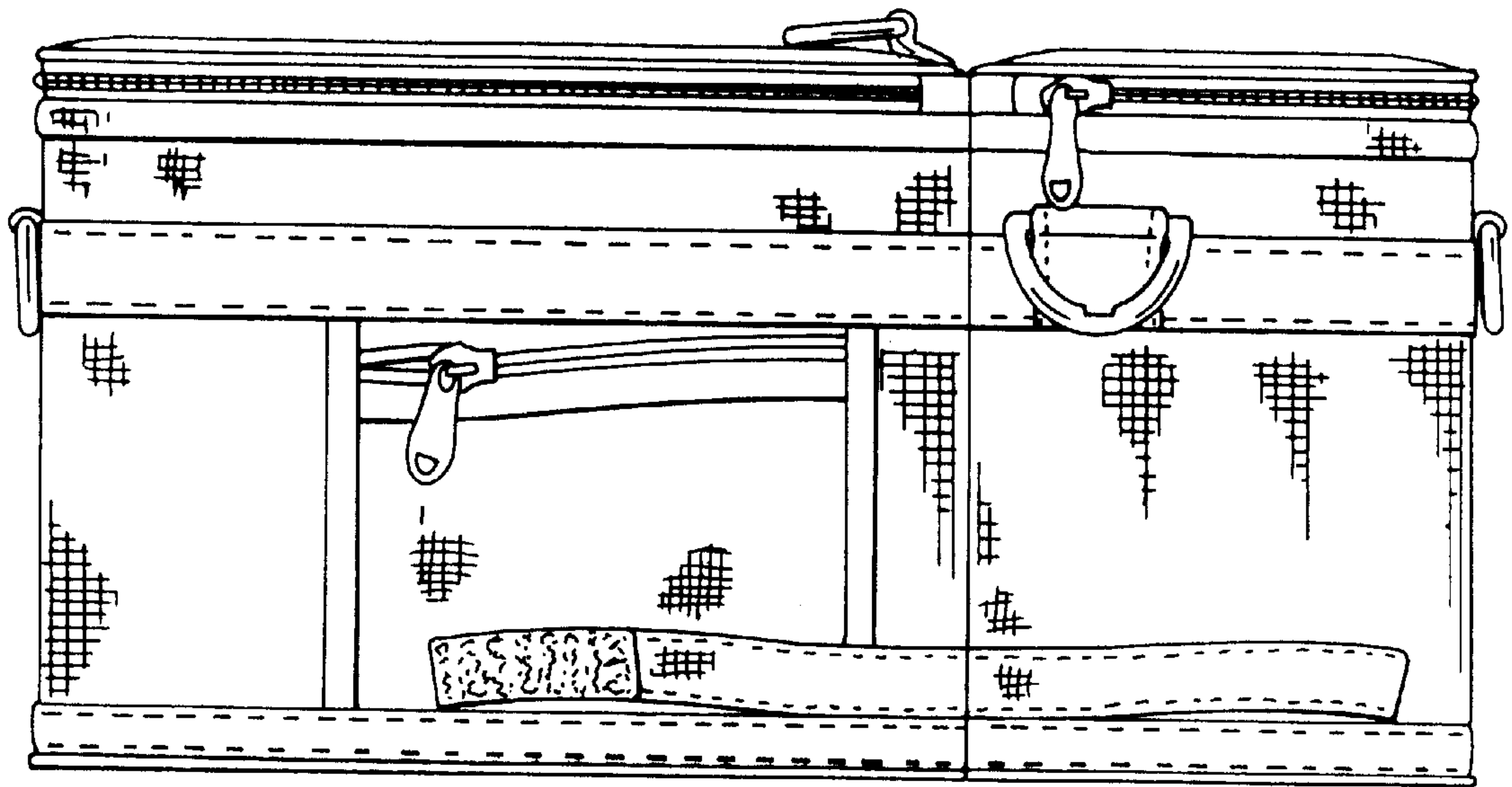


FIG. 20

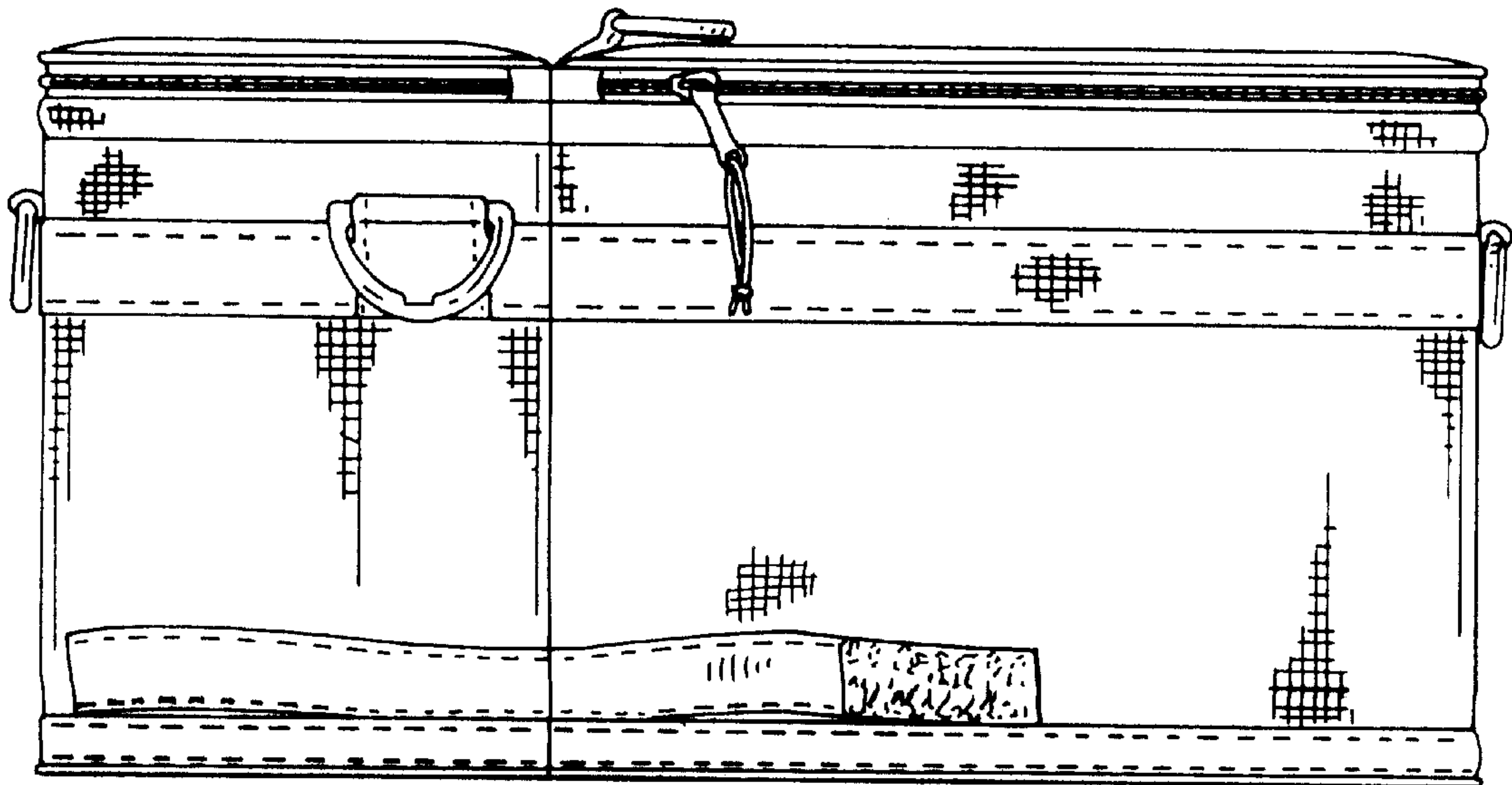


FIG. 19

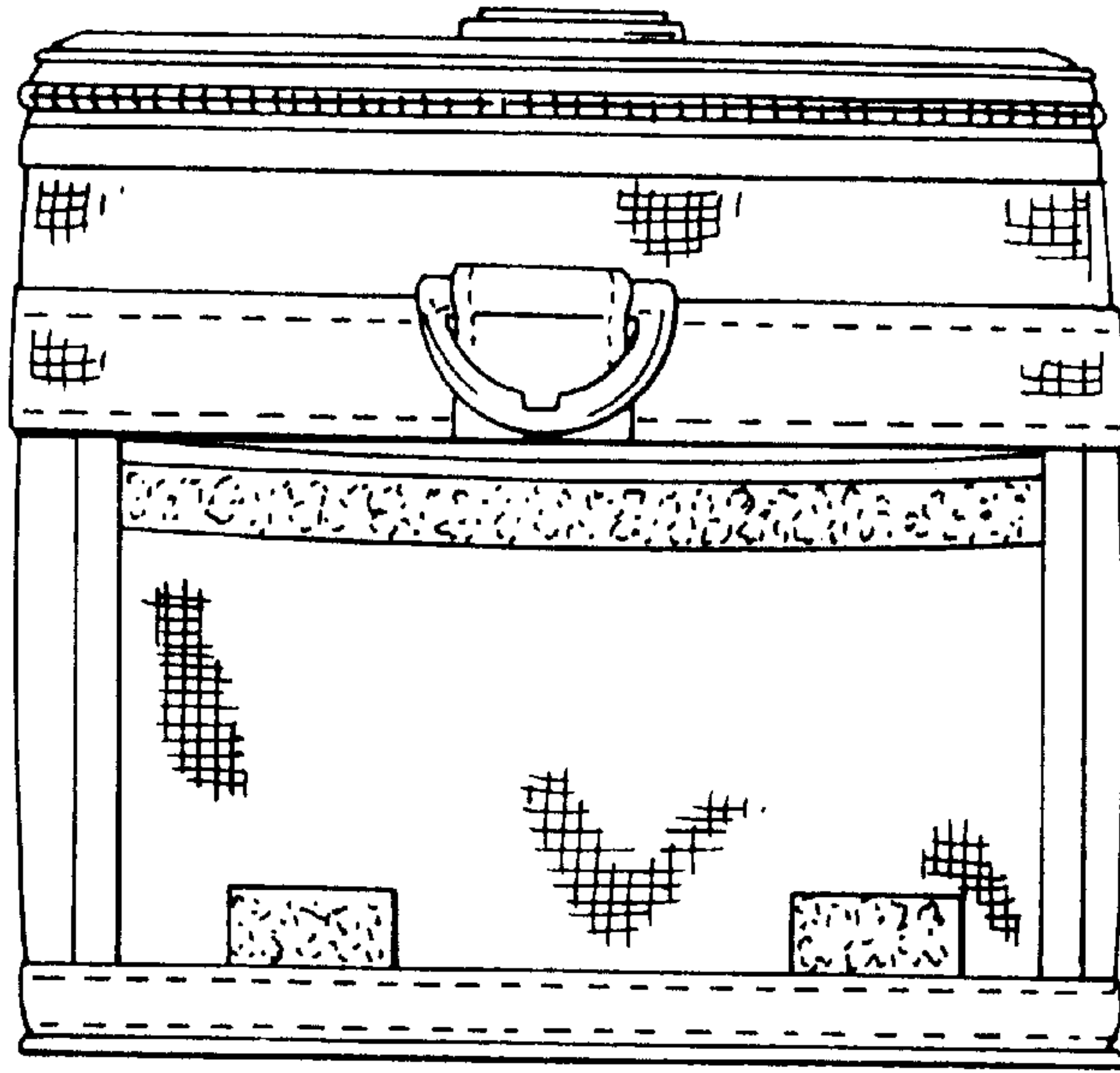


FIG. 21

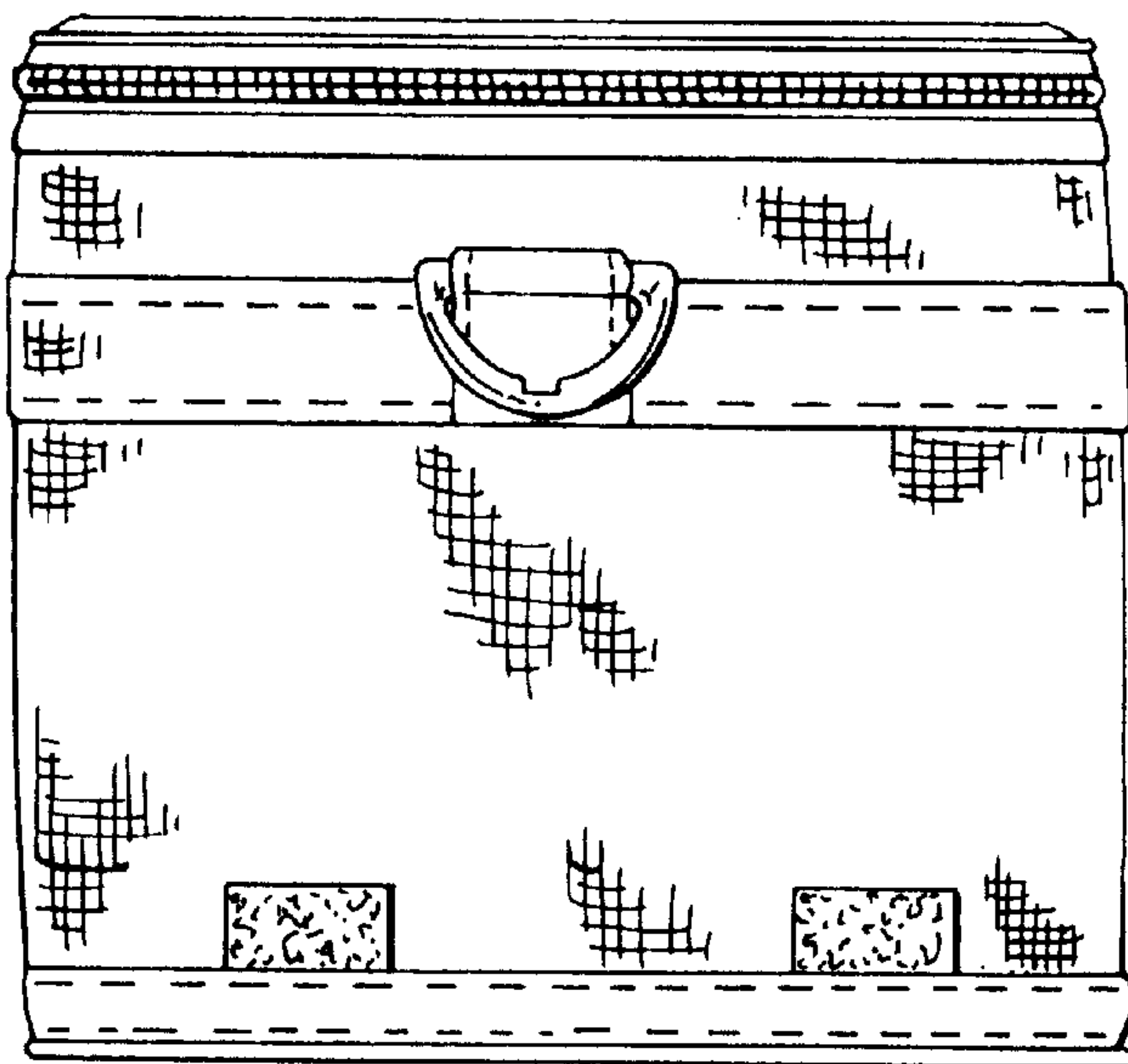


FIG. 22

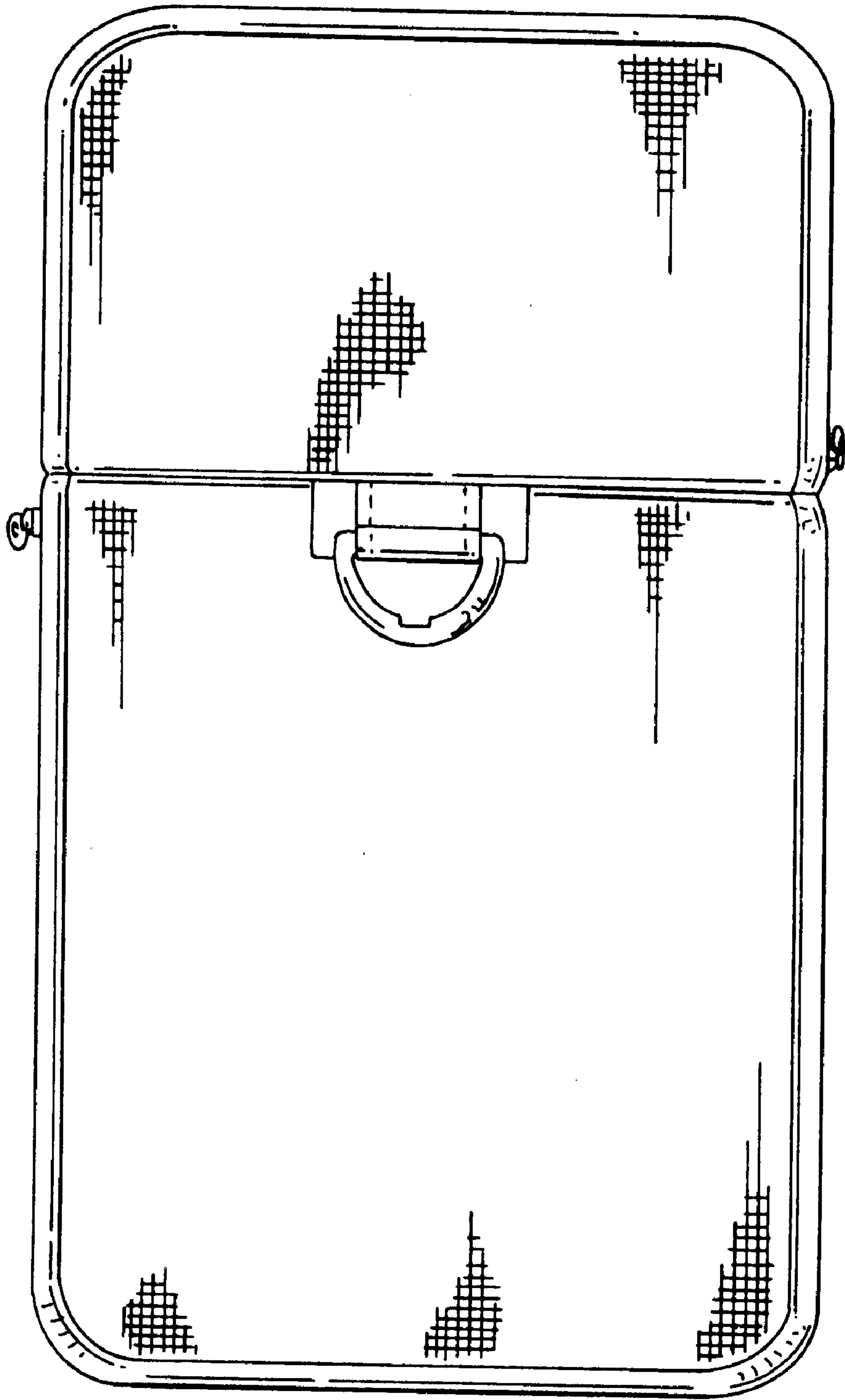


FIG. 23

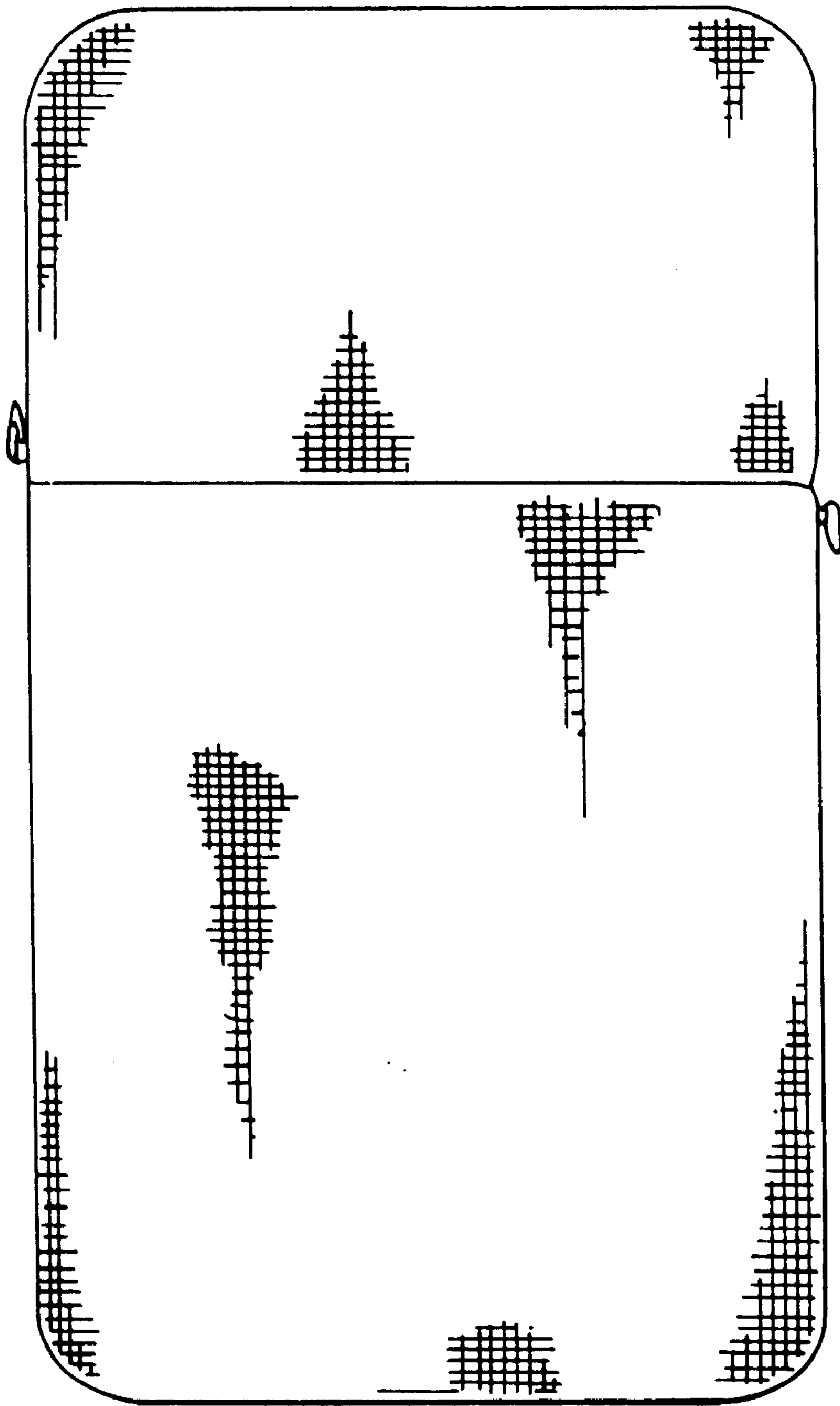


FIG. 24



FIG. 25

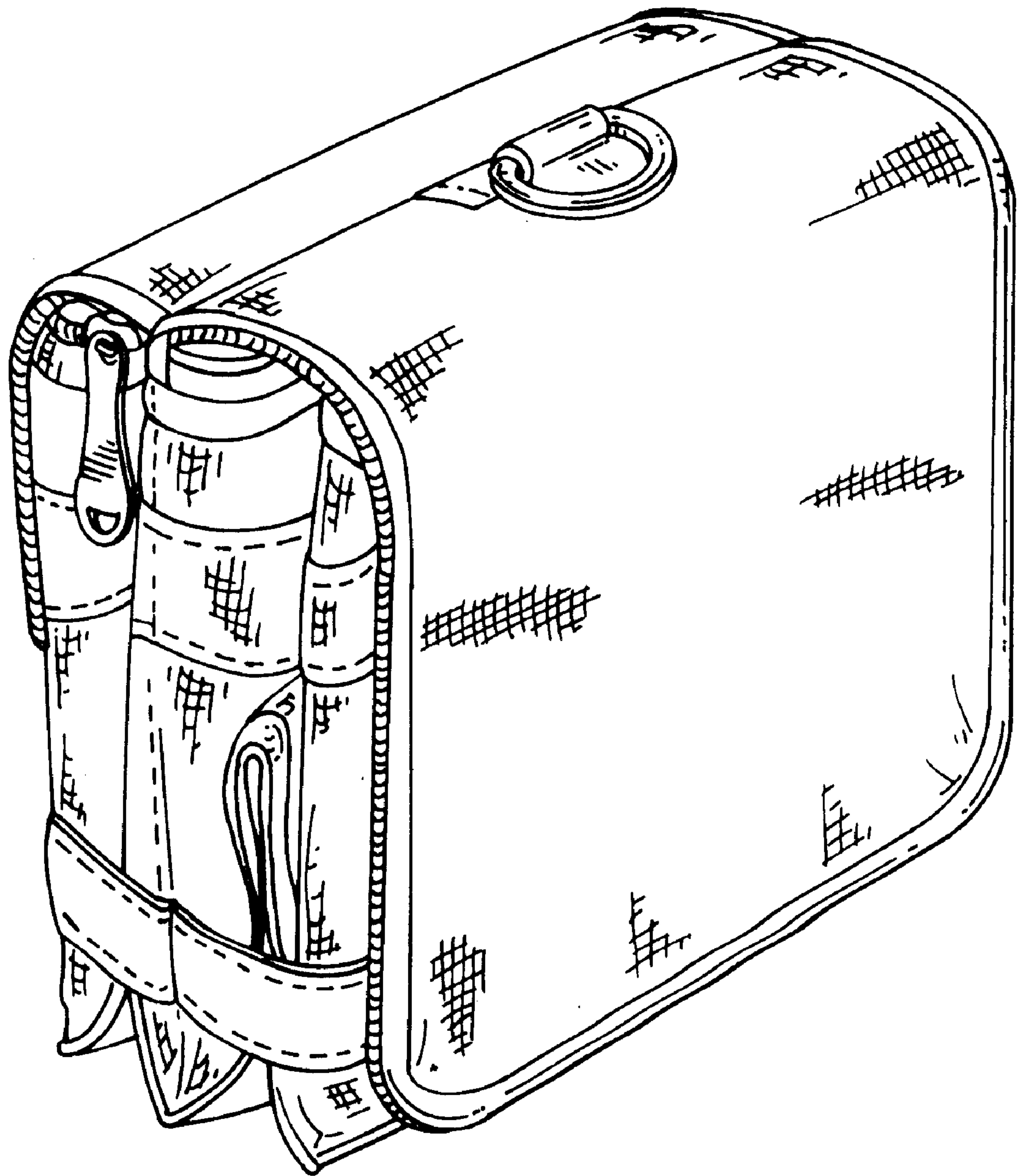


FIG. 26

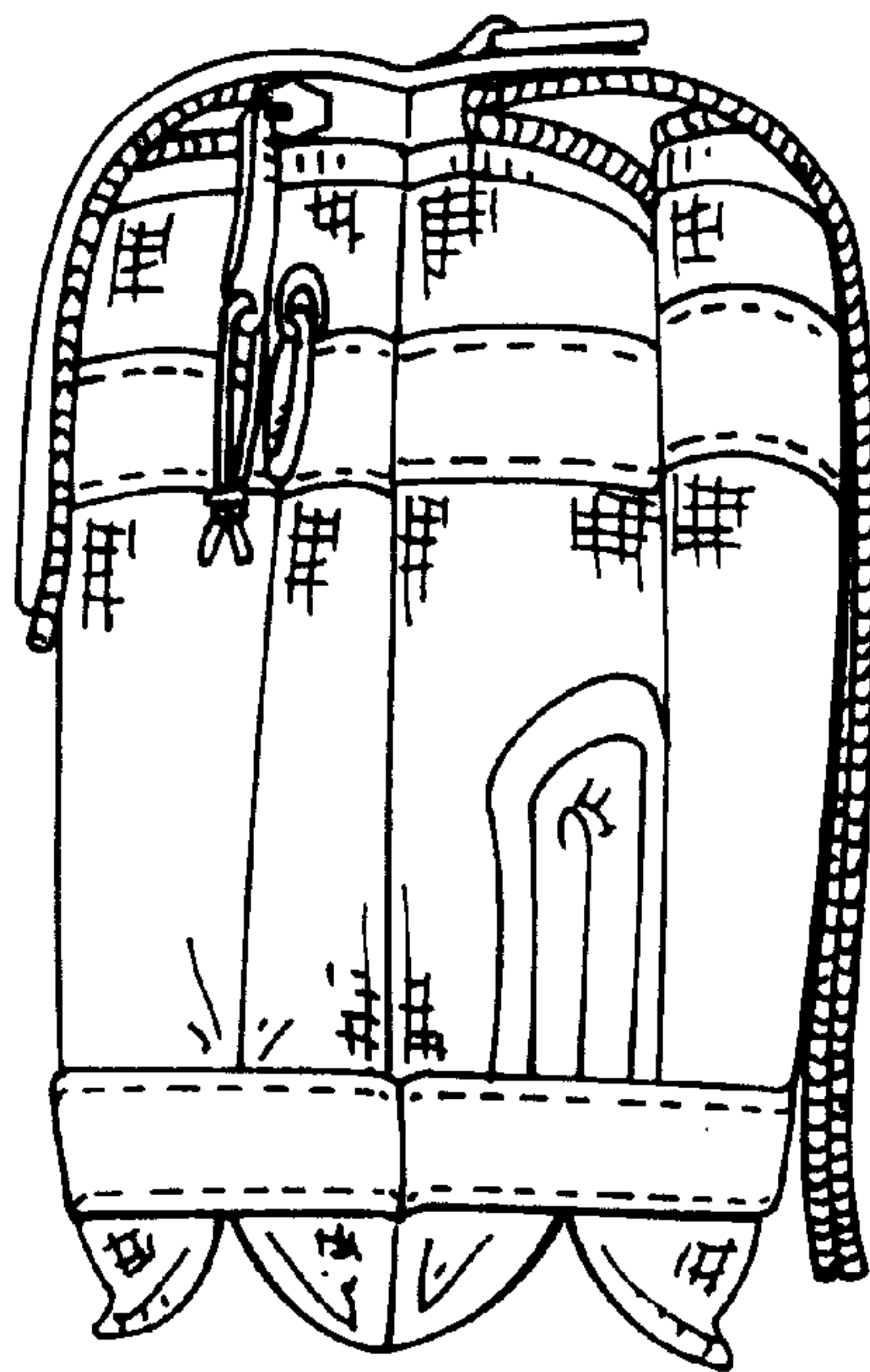


FIG. 27

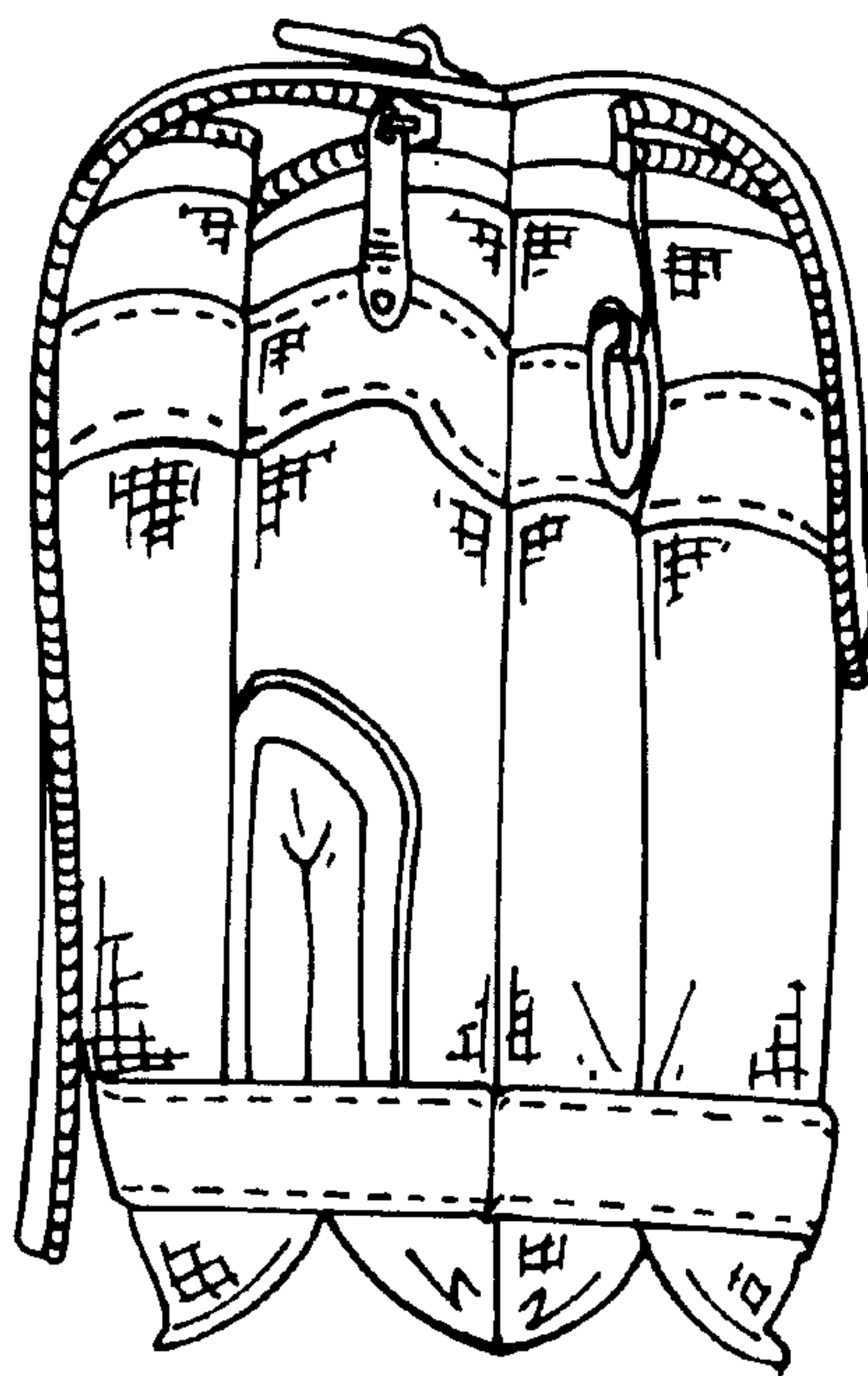


FIG. 28

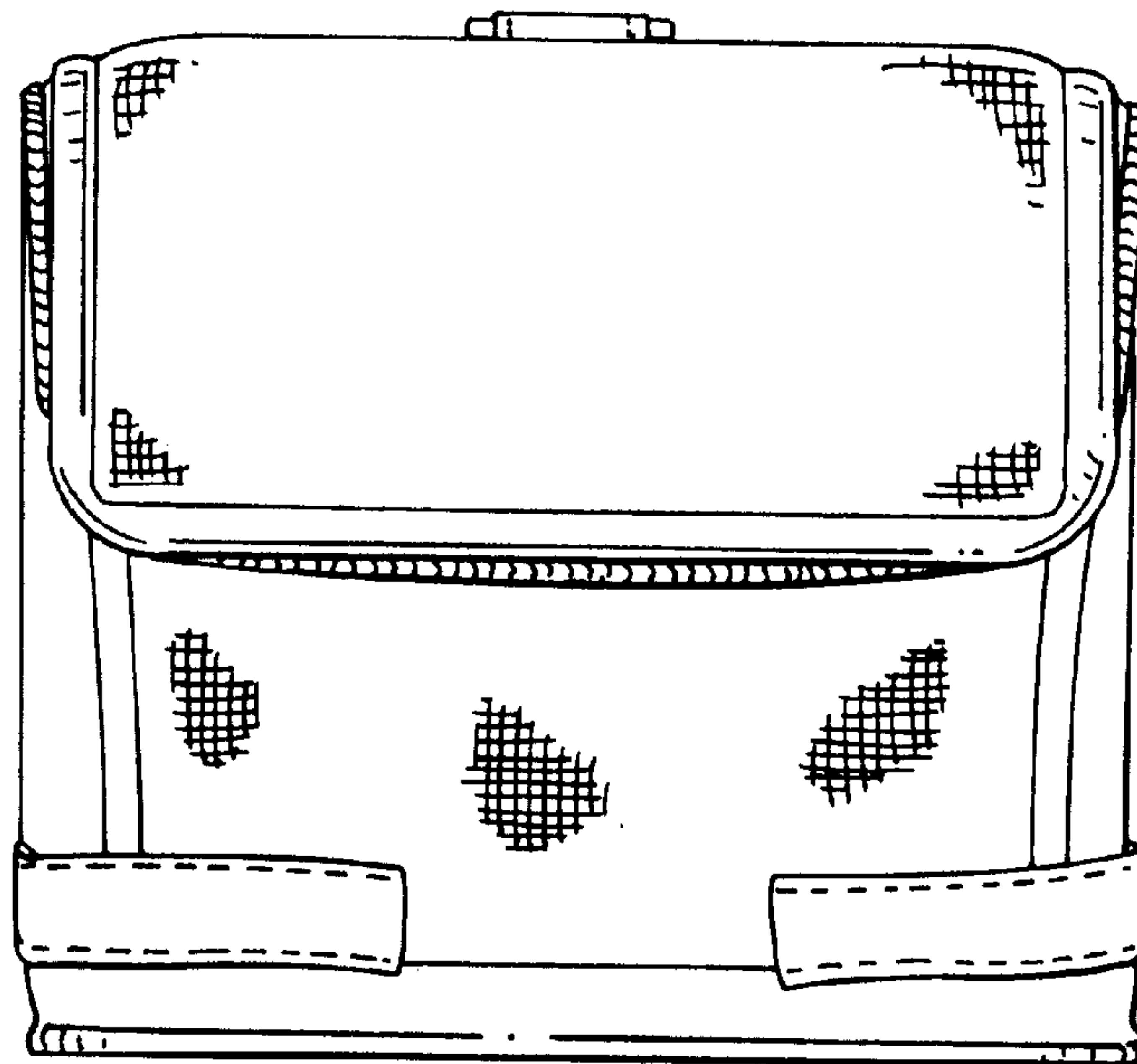


FIG. 29

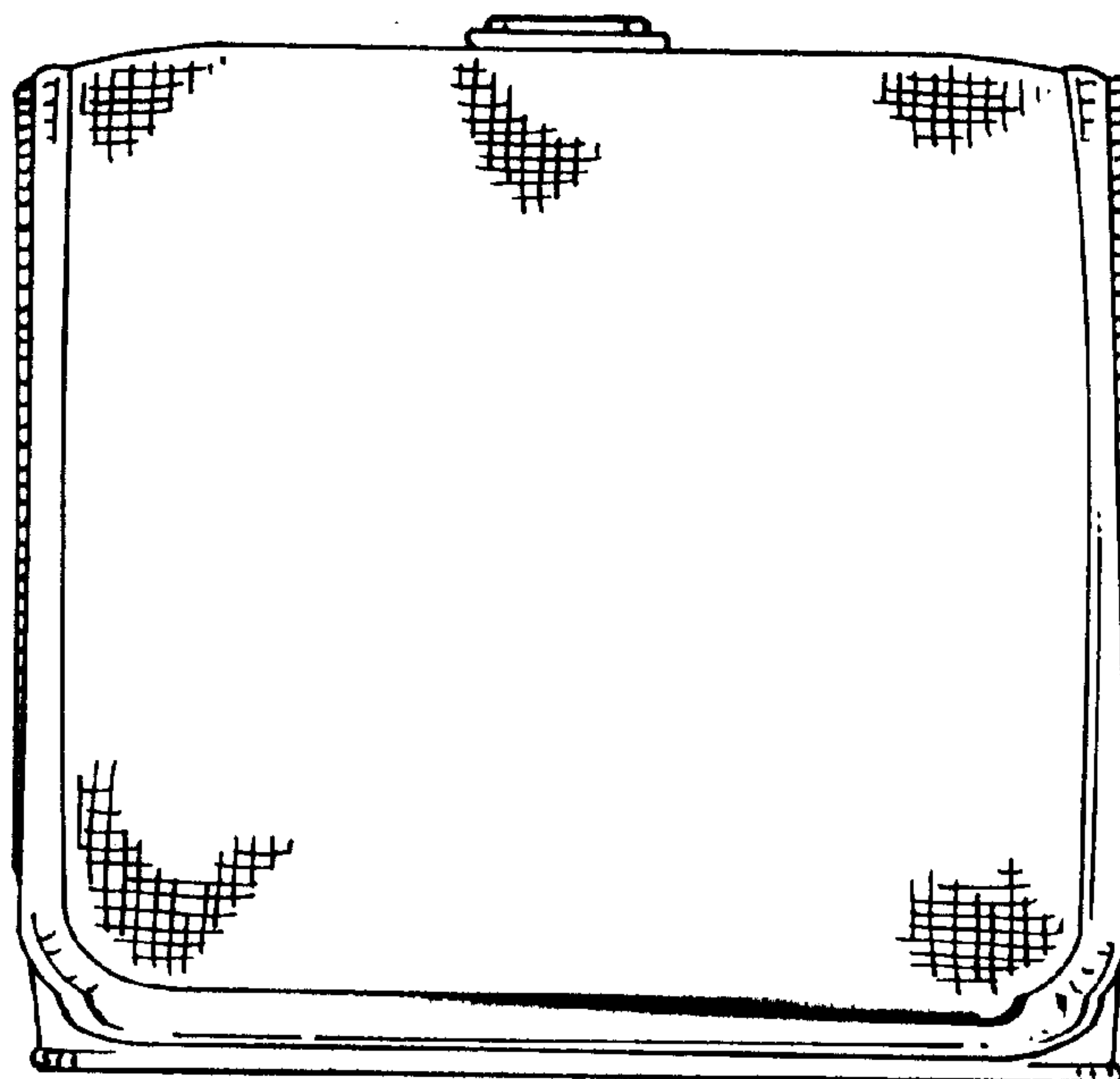


FIG. 30

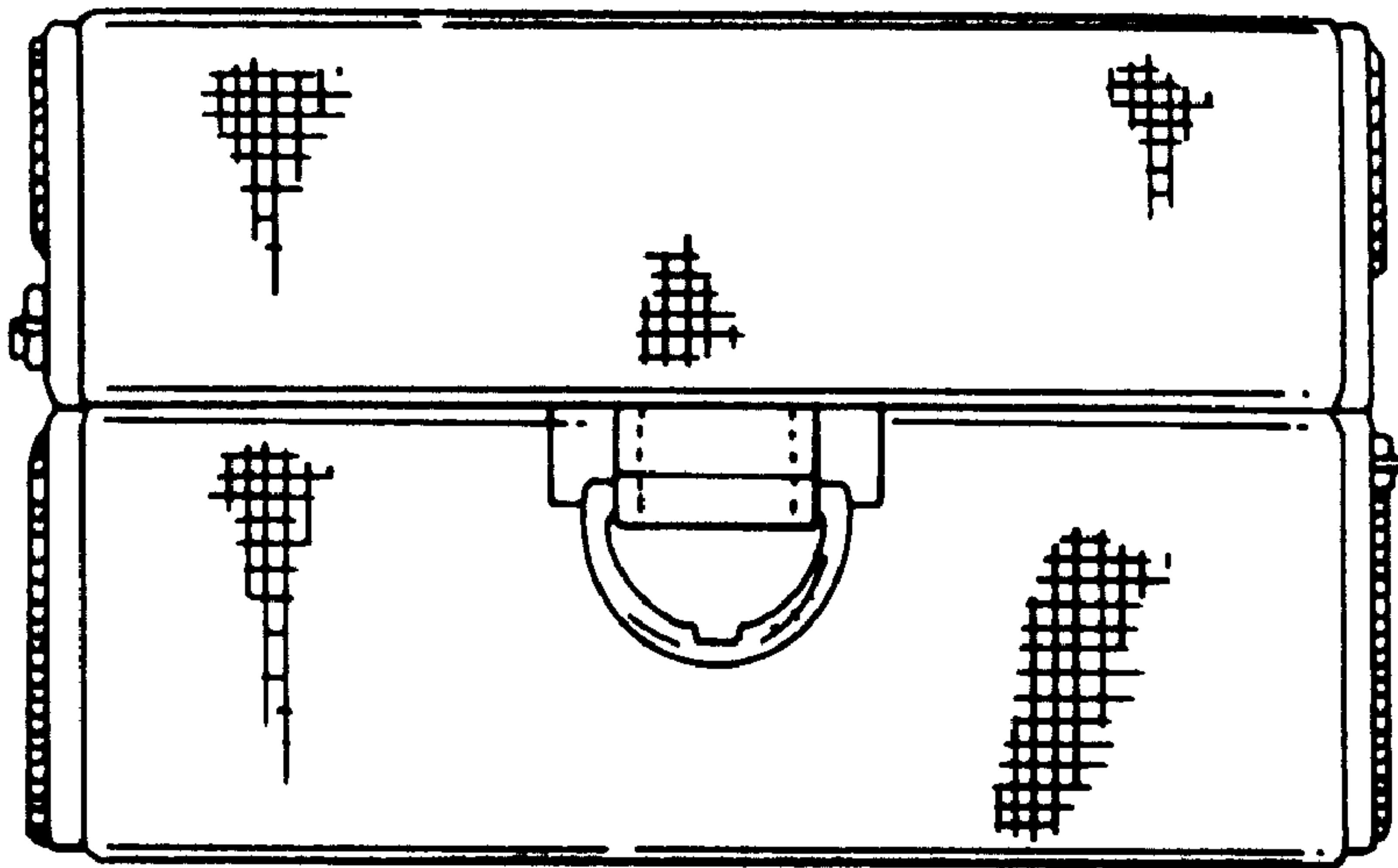


FIG. 31

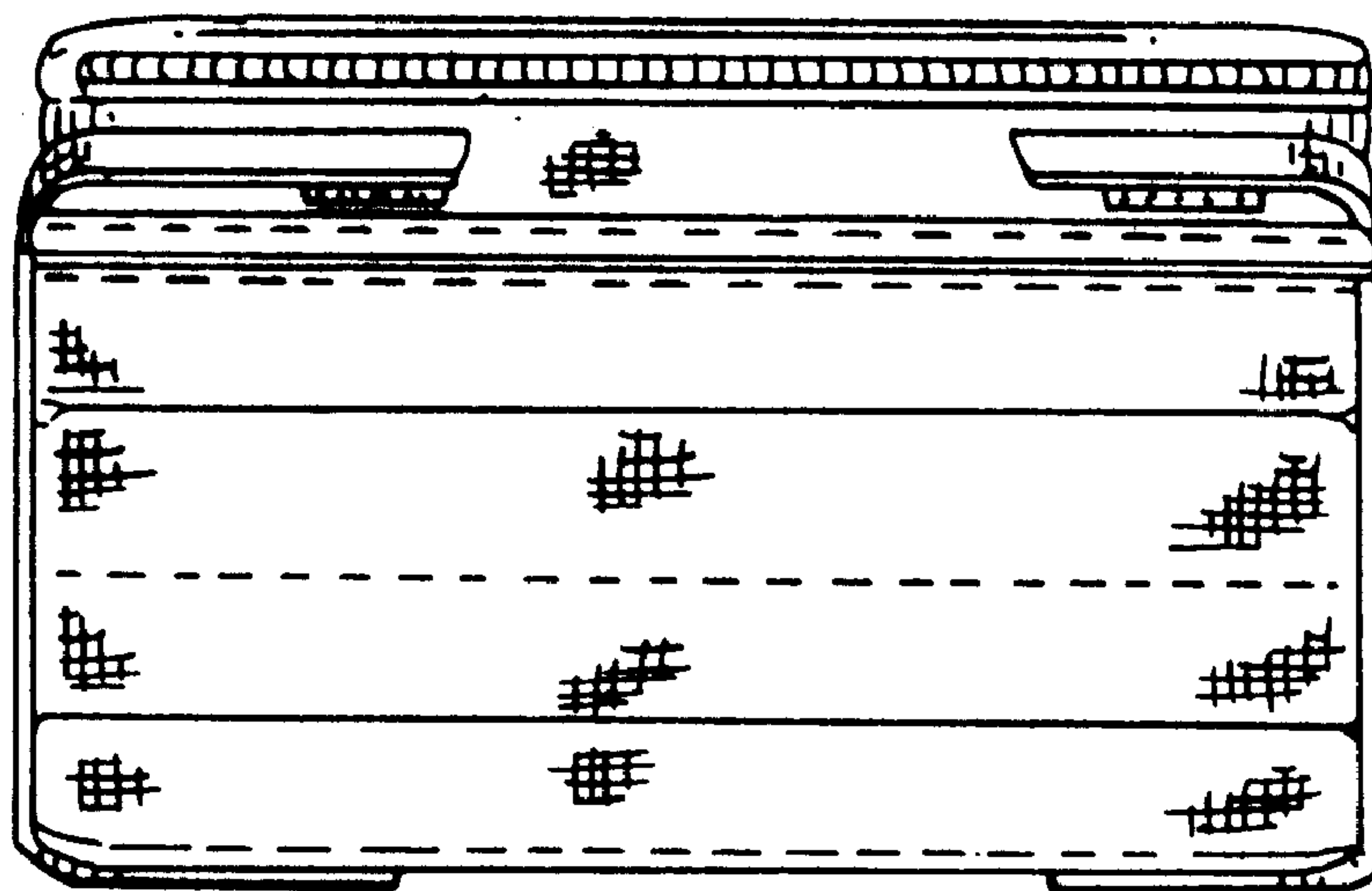


FIG. 32