



US00D446935B1

(12) **United States Design Patent**  
**Huang**

(10) **Patent No.:** **US D446,935 S**

(45) **Date of Patent:** **\*\* Aug. 28, 2001**

(54) **TOOL BOX**

(76) Inventor: **Wen-Kuo Huang**, No. 53, Lane 106,  
Sec. 4, Anho Road, Tainan City (TW)

(\*\*) Term: **14 Years**

(21) Appl. No.: **29/124,003**

(22) Filed: **May 30, 2000**

(51) **LOC (7) Cl.** ..... **03-01**

(52) **U.S. Cl.** ..... **D3/281; D3/905**

(58) **Field of Search** ..... **D3/272, 273, 276,**  
**D3/281, 282, 315, 905; 206/349, 372, 373,**  
**379**

(56) **References Cited**

**U.S. PATENT DOCUMENTS**

D. 382,115	*	8/1997	Chang	.....	D3/905
D. 412,245	*	7/1999	Kopala, Jr.	.....	D3/905
D. 412,617	*	8/1999	Kopala, Jr.	.....	D3/905
D. 415,349	*	10/1999	Chen	.....	D3/905

D. 427,435	*	7/2000	Gibson et al.	.....	D3/282
5,730,303	*	3/1998	Chow	.....	206/376
5,899,329	*	5/1999	Hu et al.	.....	206/376
5,941,386	*	8/1999	Hu et al.	.....	206/376

\* cited by examiner

*Primary Examiner*—Philip S. Hyder

(74) *Attorney, Agent, or Firm*—Charles E. Baxley, Esq.

(57) **CLAIM**

The ornamental design for a tool box, as shown.

**DESCRIPTION**

FIG. 1 is a perspective view of tool box showing my new design, in a closed position;

FIG. 2 is a front elevation view thereof;

FIG. 3 is a rear elevation view thereof;

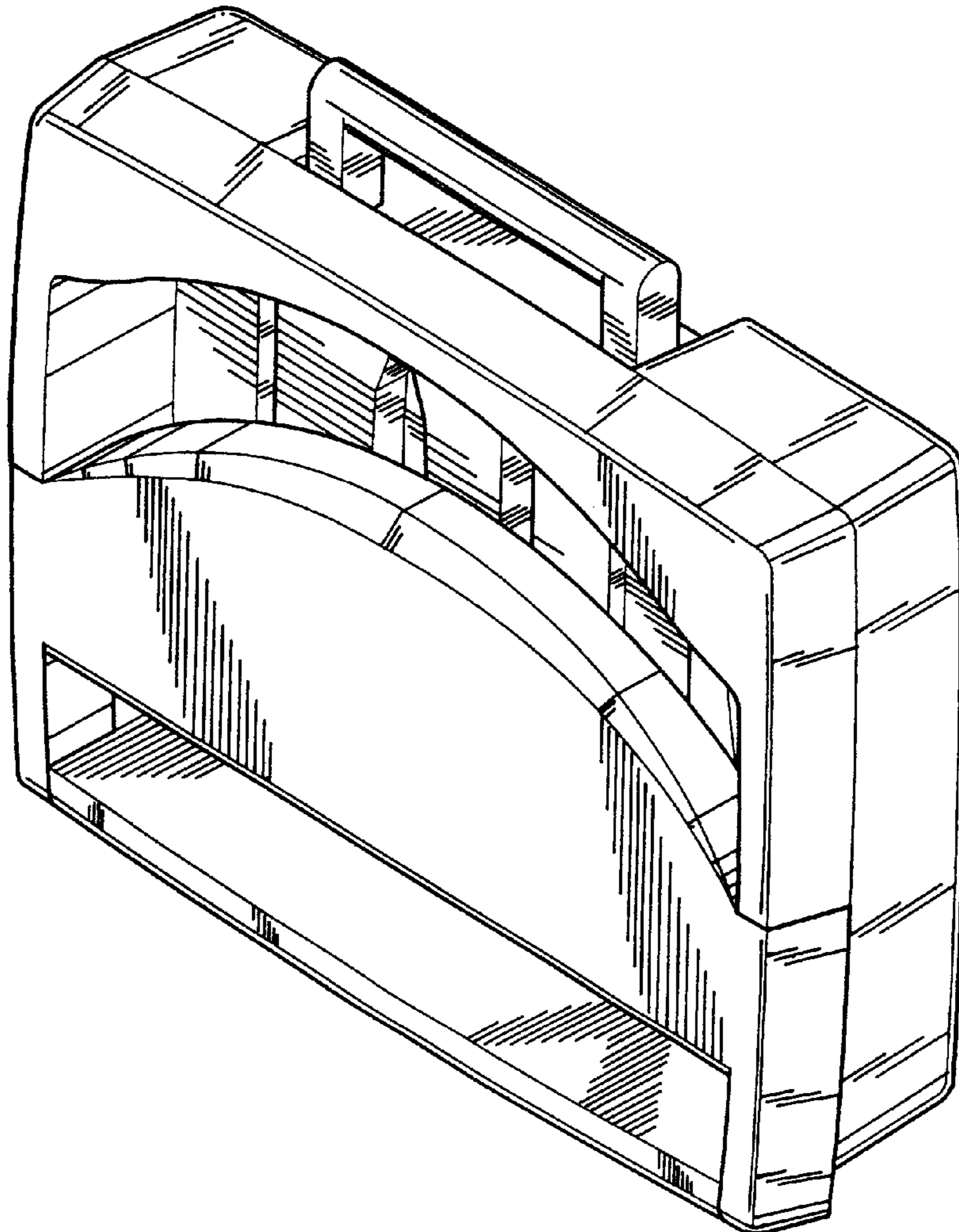
FIG. 4 is a left side elevation view thereof;

FIG. 5 is a right side elevation view thereof;

FIG. 6 is a top plan view thereof; and,

FIG. 7 is a bottom plan view thereof.

**1 Claim, 4 Drawing Sheets**



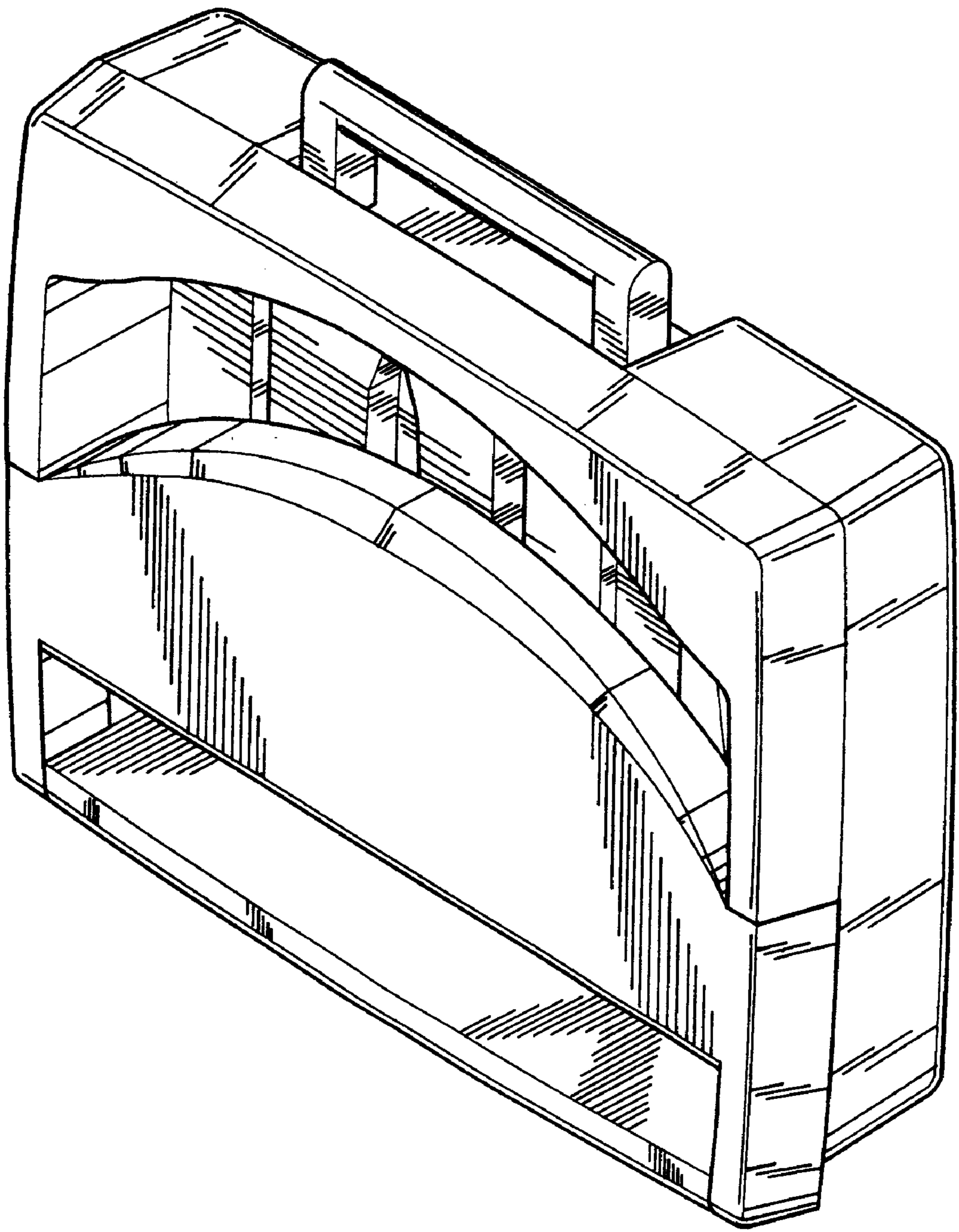


FIG. 1

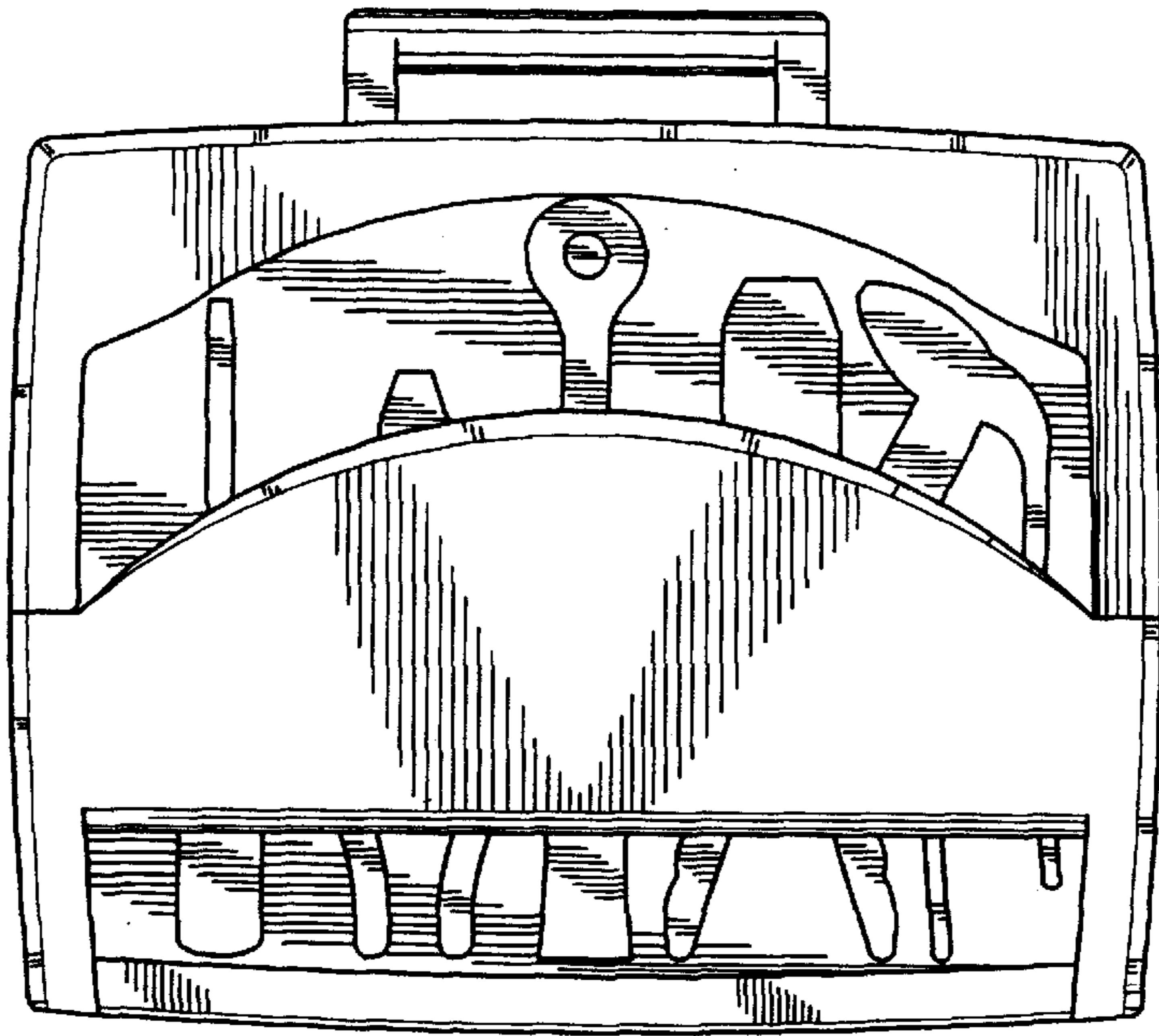


FIG. 2

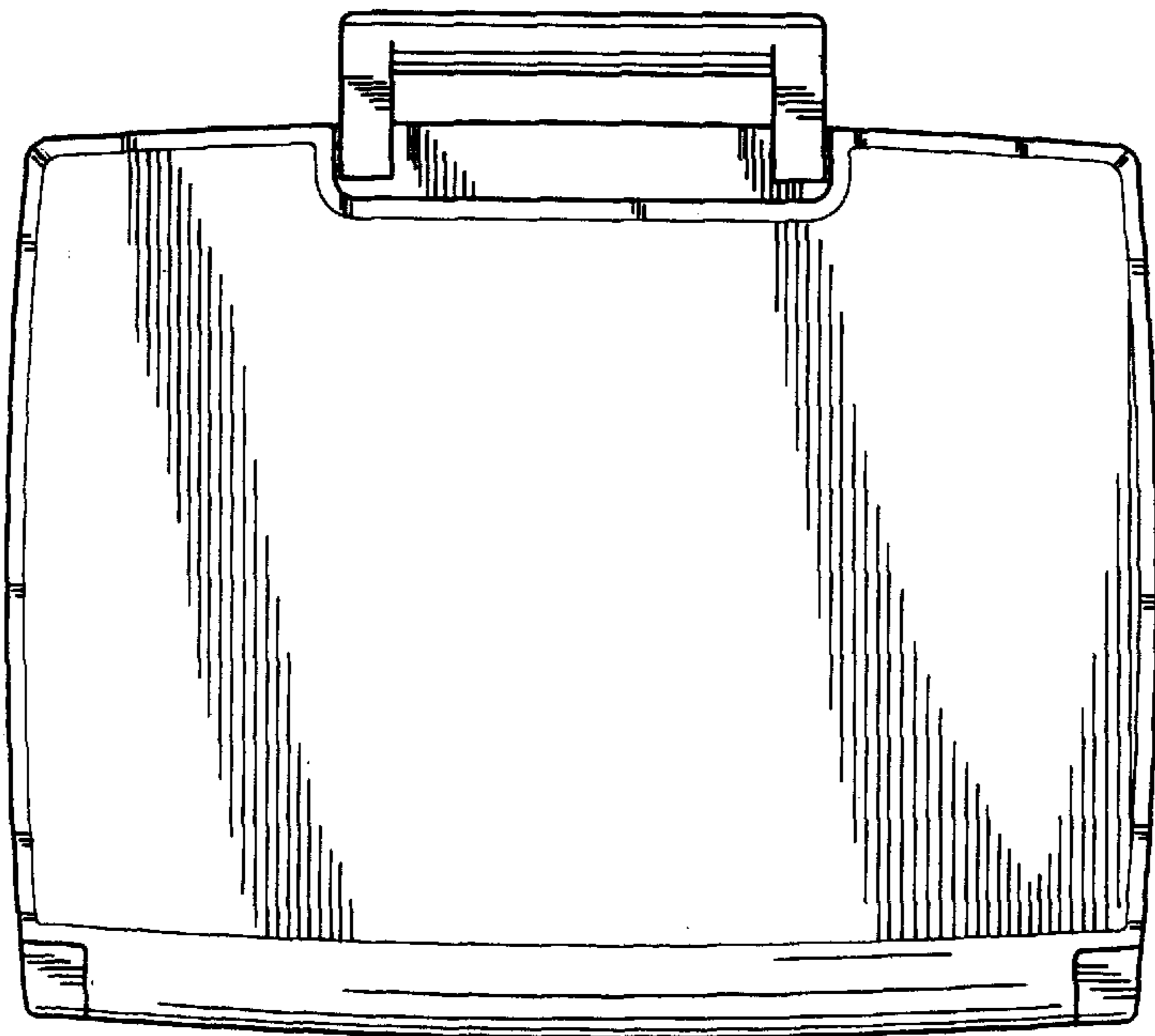


FIG. 3

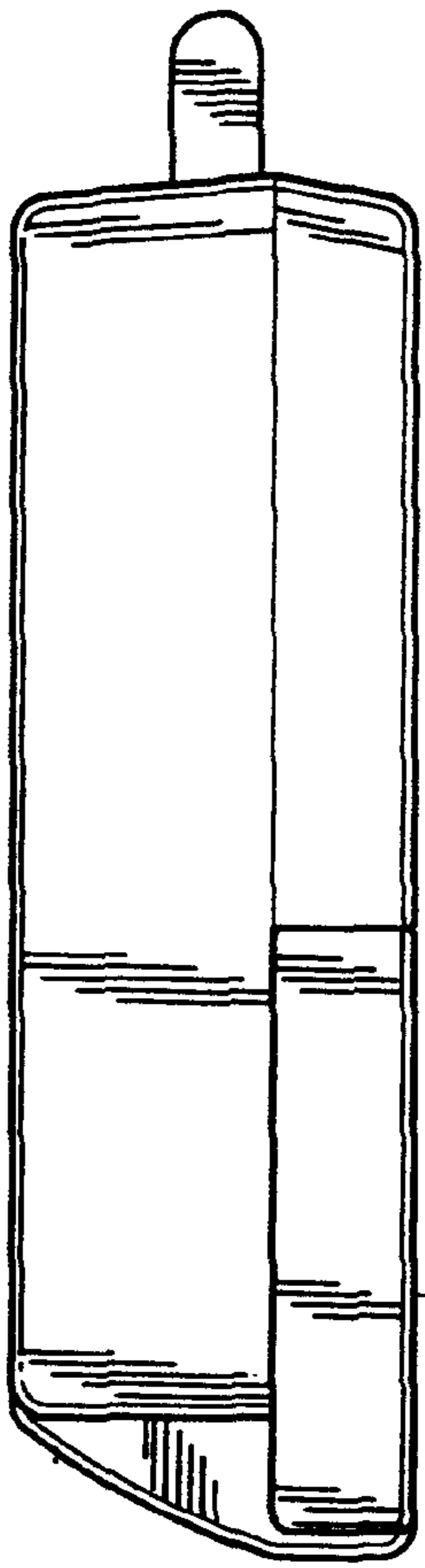


FIG. 4

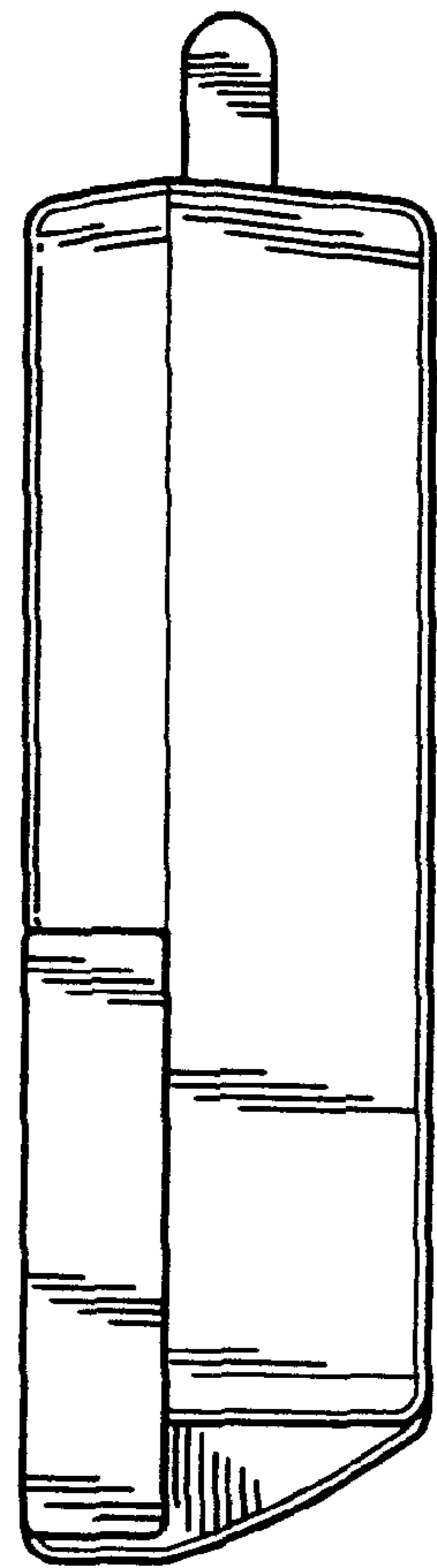


FIG. 5

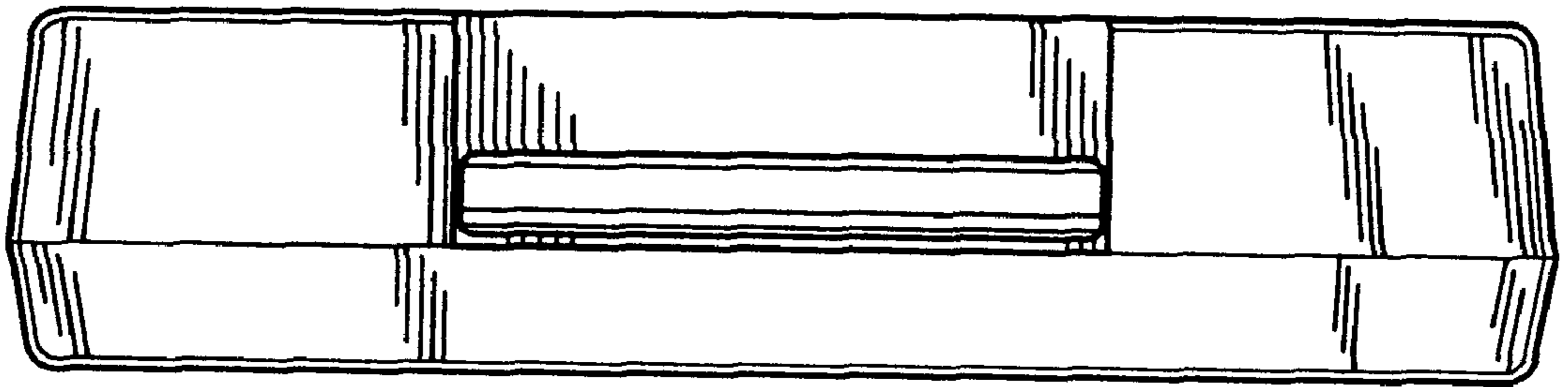


FIG. 6

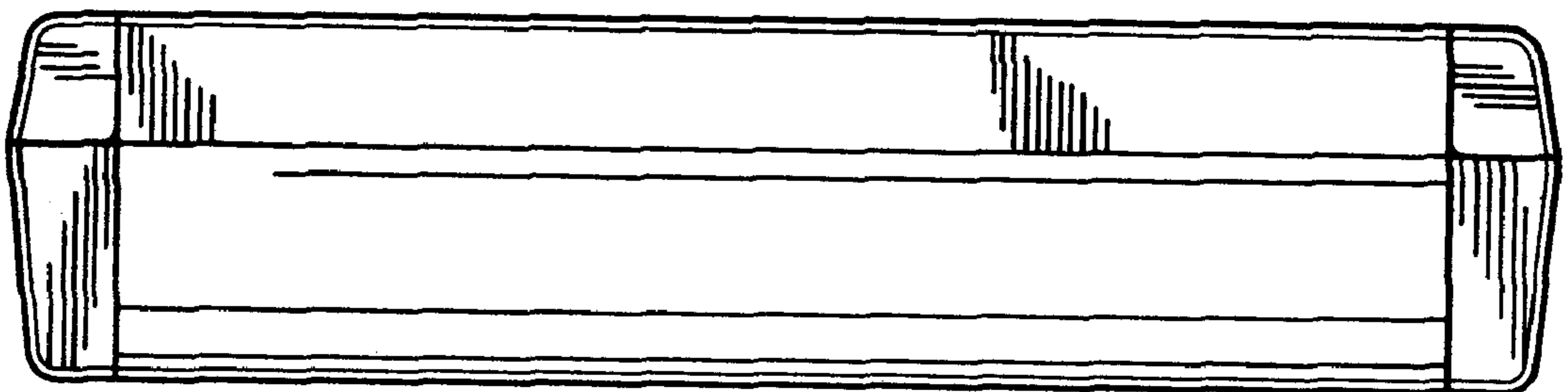


FIG. 7