



US00D446926B1

(12) **United States Design Patent**  
**Silva**

(10) **Patent No.:** **US D446,926 S**

(45) **Date of Patent:** **\*\* Aug. 28, 2001**

(54) **TOILETRY CASE**

(76) **Inventor:** **Epifanio Silva**, 716 E. Kelso St. #203,  
Engelwood, CA (US) 90301

(\*\*) **Term:** **14 Years**

(21) **Appl. No.:** **29/113,827**

(22) **Filed:** **Nov. 12, 1999**

(51) **LOC (7) Cl.** ..... **03-01**

(52) **U.S. Cl.** ..... **D3/205**

(58) **Field of Search** ..... D3/201, 205, 203,  
D3/901, 273; 150/112; 190/109; 206/228,  
823, 581, 558, 561; 220/507, 555, 665;  
D9/342, 347, 414; D28/73, 76, 78; 132/290,  
291, 314, 316, 294, 315; D7/701, 703

(56) **References Cited**

**U.S. PATENT DOCUMENTS**

D. 163,589	*	6/1951	Eddleman et al.	.....	D3/901	X
D. 269,735	*	7/1983	Bunetta	.....	D3/901	X
D. 272,480	*	1/1984	Washington, Jr.	.....	D28/78	
D. 309,981	*	8/1990	French et al.	.....	206/823	
D. 339,233		9/1993	Patrick	.....	D3/76	
D. 395,755	*	7/1998	Hulin	.....	D3/901	X
1,610,146	*	12/1926	Panzer	.....	190/109	
2,761,458	*	9/1956	Werber	.....	150/112	
3,543,773	*	12/1970	Thompson	.....	132/315	
3,899,073		8/1975	Barr	.....	206/77.1	
4,889,141		12/1989	Lindsey	.....	132/286	

4,934,640	6/1990	Bichon	.....	248/206.2	
5,095,924	3/1992	Stanfield	.....	132/315	
5,299,683	4/1994	Poole	.....	206/77.1	
5,437,294	*	8/1995	Ebbets, III et al.	.....	206/581
5,576,929	*	11/1996	Uchiyama et al.	.....	190/109

\* cited by examiner

*Primary Examiner*—Louis S. Zarfes

*Assistant Examiner*—Monica A. Weingart

(74) *Attorney, Agent, or Firm*—Goldstein & Canino

(57) **CLAIM**

The ornamental design for a toiletry case, as shown and described.

**DESCRIPTION**

FIG. 1 is a diagrammatic perspective view of a toiletry case in the open position in full lines with toiletries shown in broken lines representing environmental association matter being for illustrative purposes only and forming no part of the claimed invention.

FIG. 2 is a front elevational view of the toiletry case in the open position.

FIG. 3 is a right side elevational view thereof, the left side view being a mirror image of the right side view.

FIG. 4 is a rear elevational view thereof.

FIG. 5 is a top plan view thereof; and,

FIG. 6 is a bottom plan view thereof.

**1 Claim, 2 Drawing Sheets**

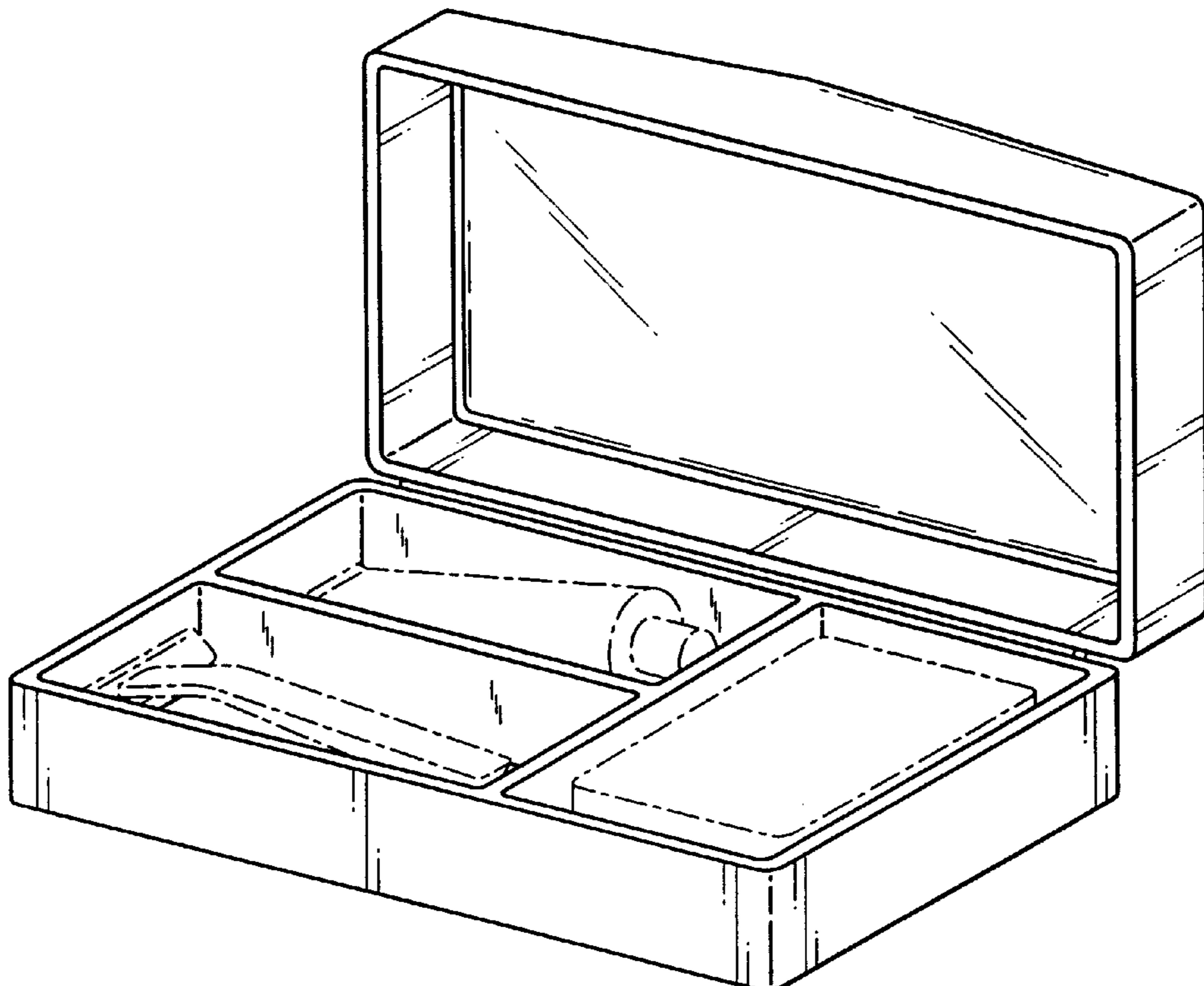


FIG. 1

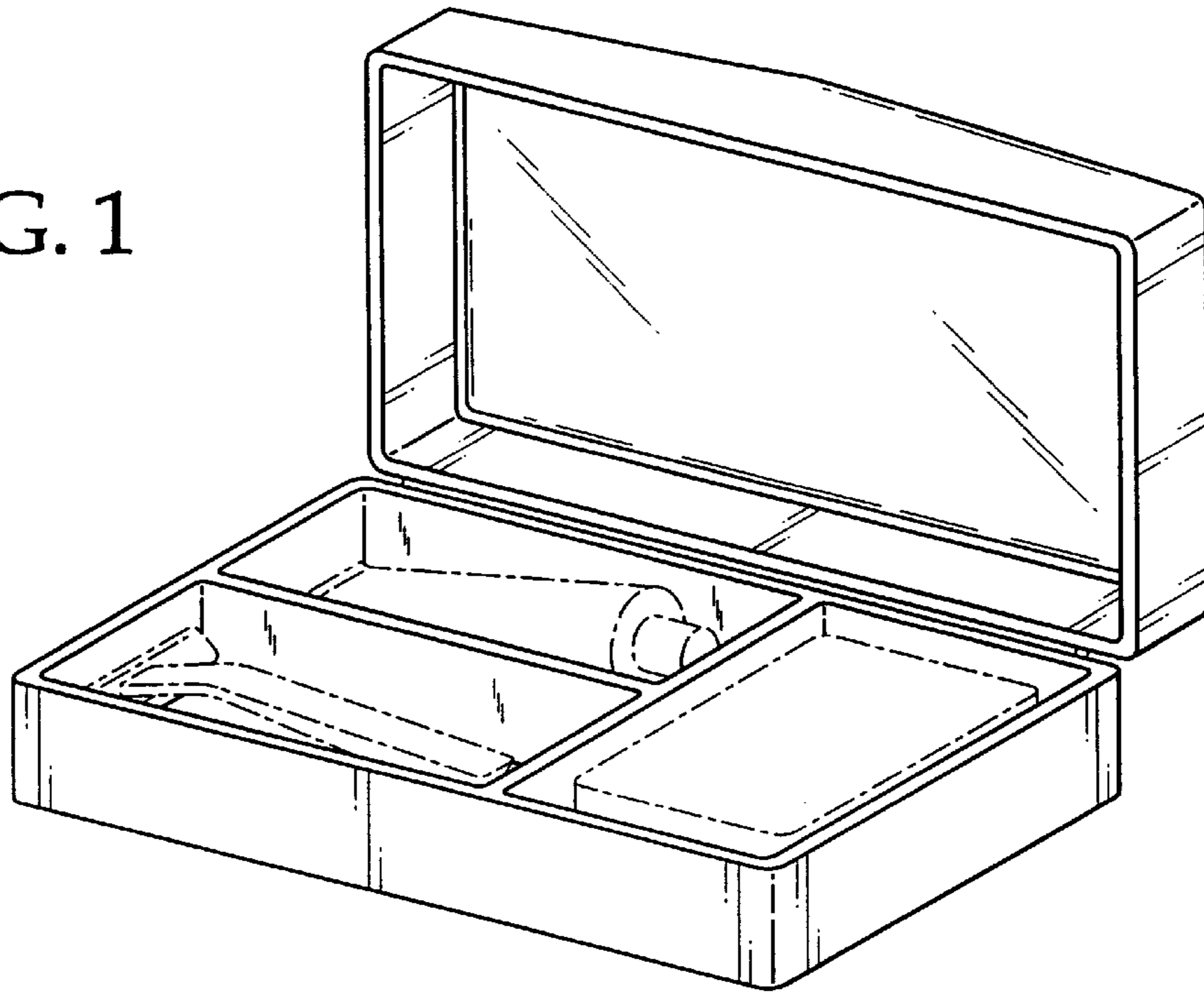


FIG. 2

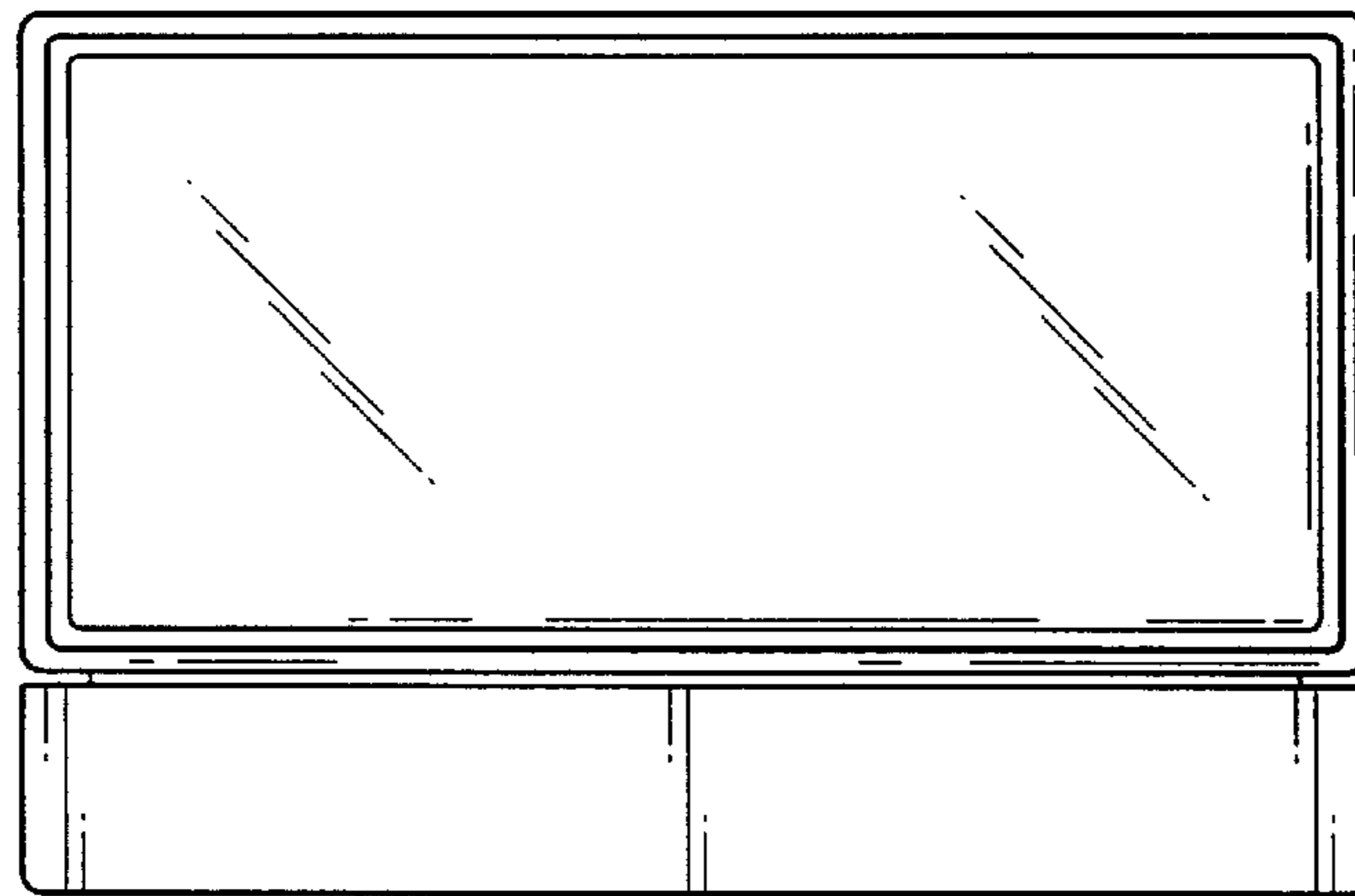


FIG. 3

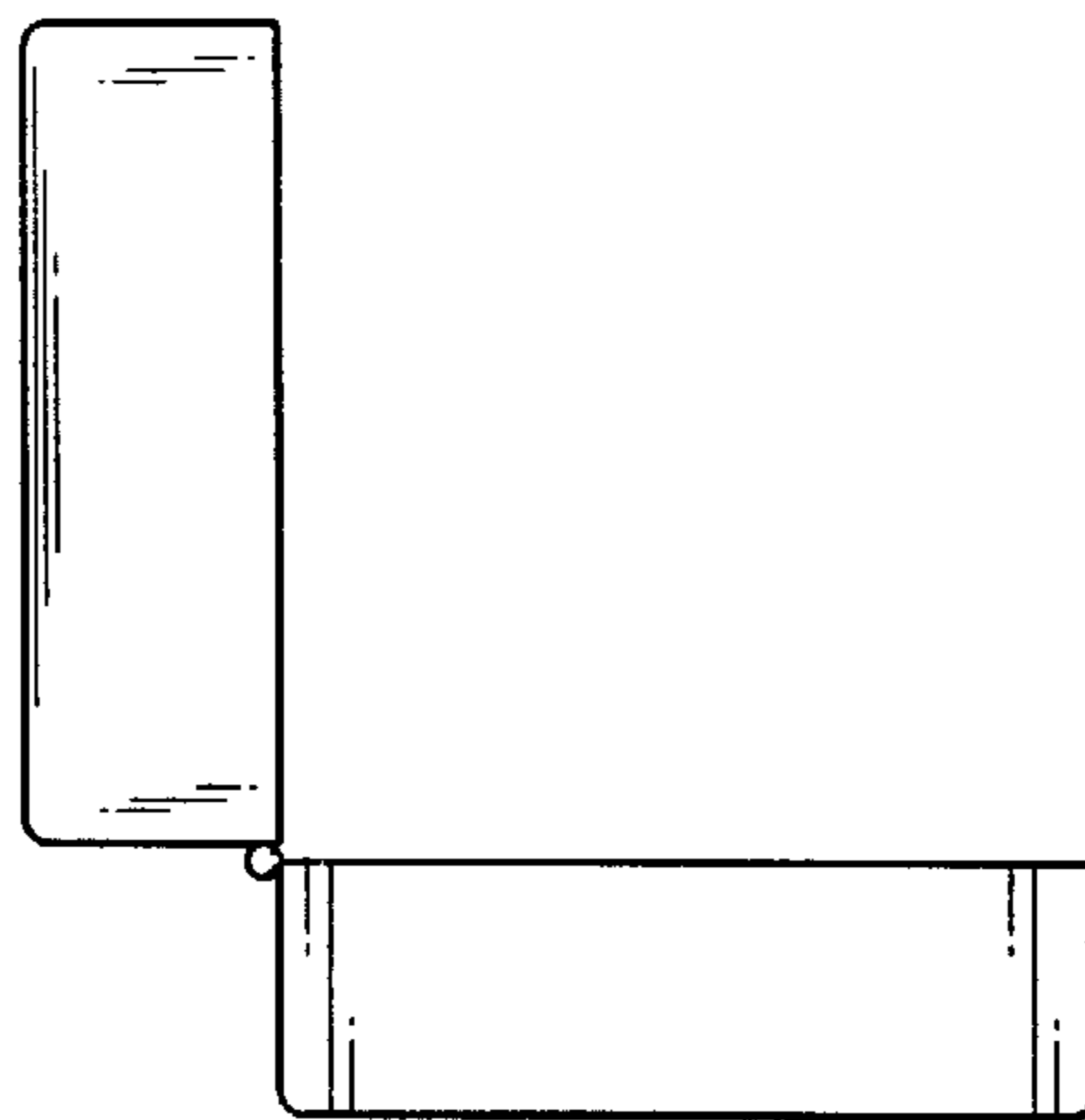


FIG. 4

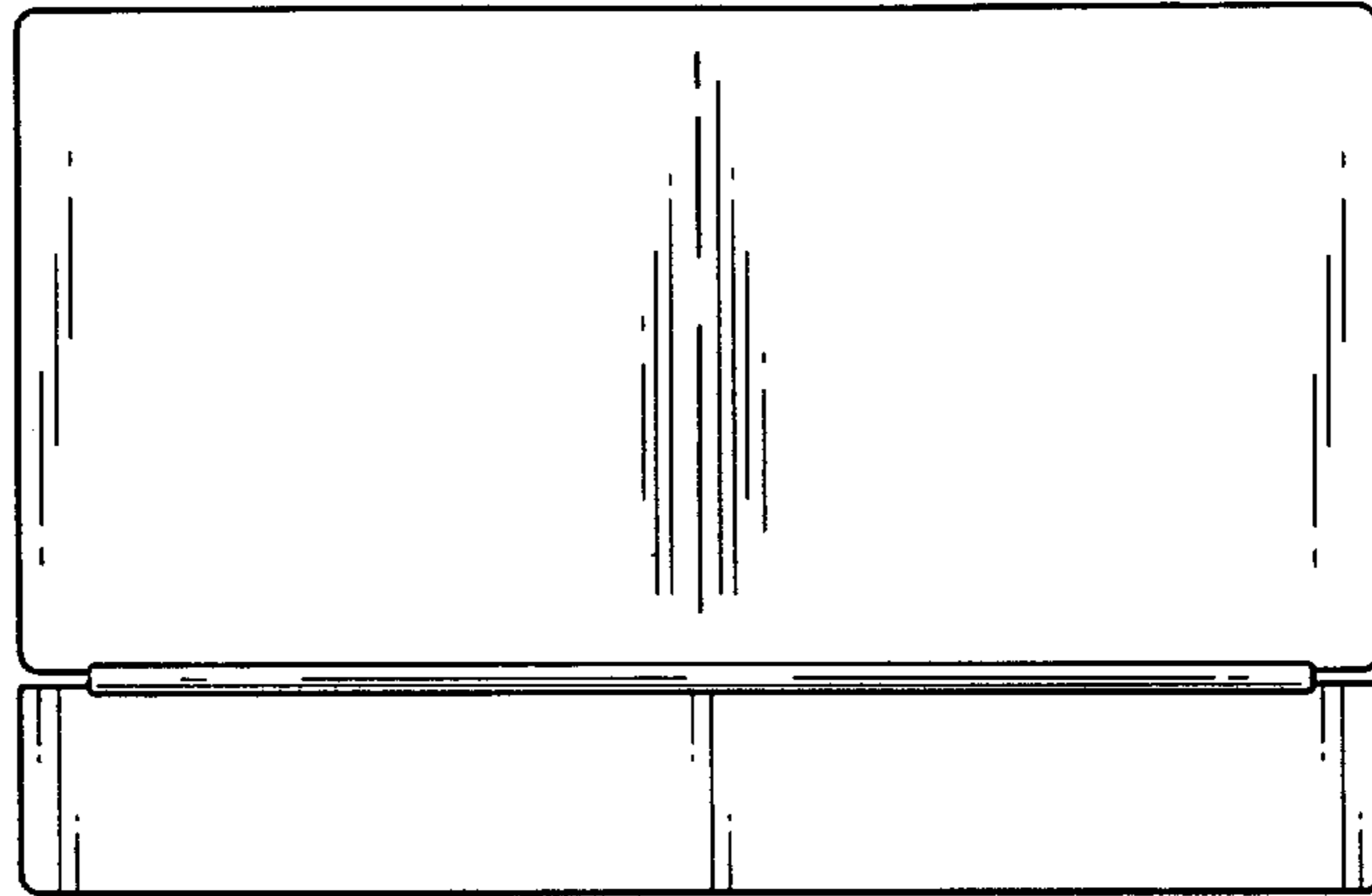


FIG. 5

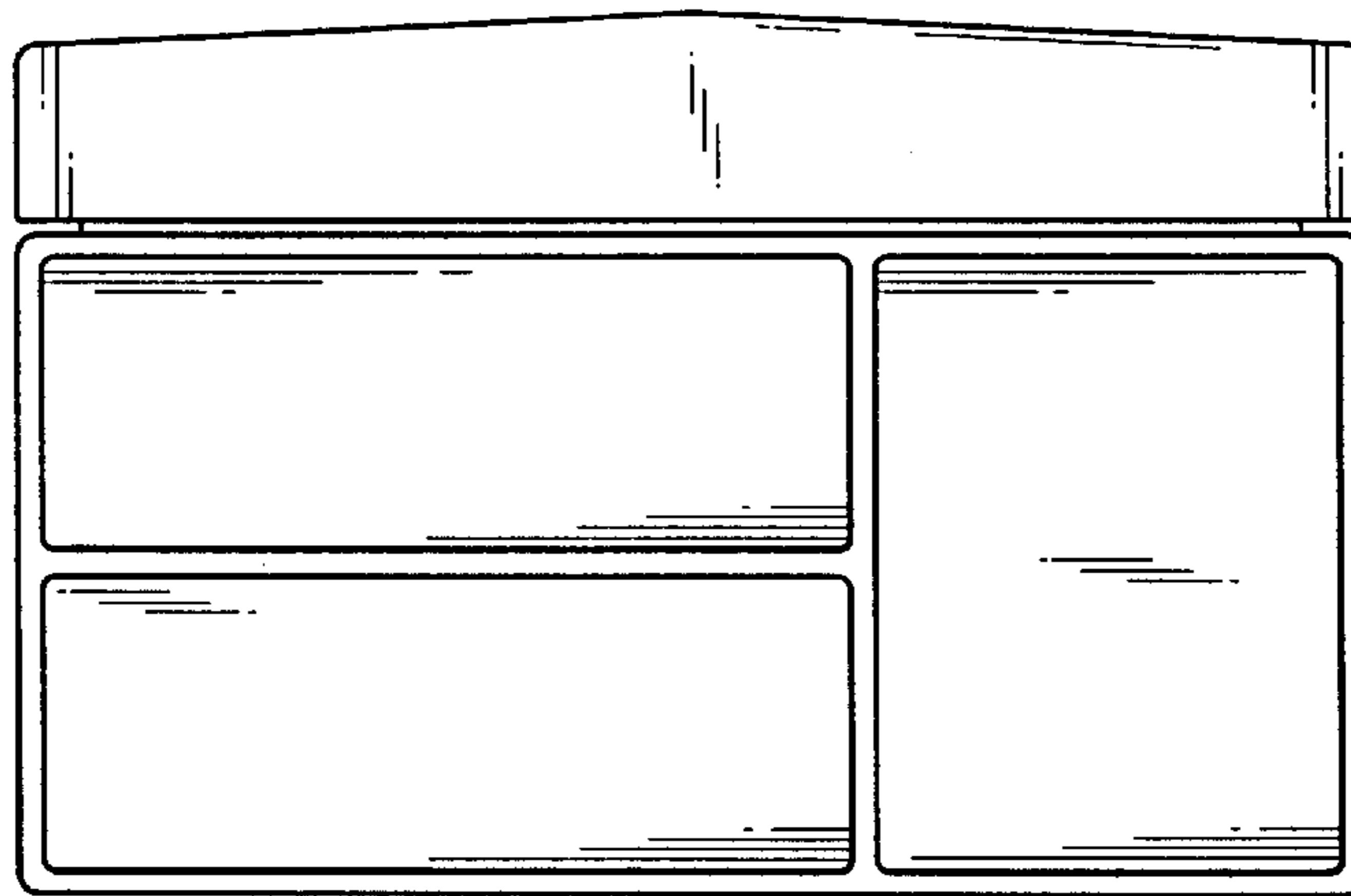


FIG. 6

