



US00D446919B1

(12) **United States Design Patent**
Lamprou

(10) **Patent No.:** **US D446,919 S**

(45) **Date of Patent:** **** Aug. 28, 2001**

(54) **SHOE UPPER**

(75) **Inventor:** **Van Lamprou**, Hermosa Beach, CA (US)

(73) **Assignee:** **Skechers U.S.A., Inc. II**, Manhattan Beach, CA (US)

(**) **Term:** **14 Years**

(21) **Appl. No.:** **29/112,315**

(22) **Filed:** **Oct. 14, 1999**

(51) **LOC (7) Cl.** **02-04**

(52) **U.S. Cl.** **D2/969; D2/916**

(58) **Field of Search** D2/897, 909, 916-942,
D2/947, 951, 953, 961, 969; 36/11.5, 83-87,
100, 7.5, 7.7, 7.1 R, 9 A, 126-131, 8.1-8.4,
50.1, 102

- D. 295,578 5/1988 Tong .
- D. 296,037 6/1988 Brown et al. .
- D. 296,491 7/1988 Diaz .
- D. 297,069 8/1988 Le .
- D. 297,183 8/1988 Selbiger .
- D. 297,382 8/1988 Swett .
- D. 298,882 12/1988 Selbiger .
- D. 299,181 1/1989 Harket et al. .
- D. 299,783 2/1989 Brown et al. .
- D. 299,784 2/1989 Brown et al. .
- D. 299,886 2/1989 Brown et al. .
- D. 300,782 4/1989 Brown et al. .
- D. 300,983 5/1989 Le .
- D. 301,183 5/1989 Duclos .
- D. 303,868 10/1989 Argyropoulos .
- D. 306,370 3/1990 Selbiger et al. .
- D. 306,371 3/1990 Feller et al. .
- D. 307,350 4/1990 Brown et al. .
- D. 310,289 9/1990 Farina .
- D. 310,291 9/1990 Selbiger .

(List continued on next page.)

(56) **References Cited**

U.S. PATENT DOCUMENTS

- D. 112,629 12/1938 Zohlman .
- D. 132,630 6/1942 Pfeiffer .
- D. 142,432 9/1945 Lissak et al. .
- D. 233,805 12/1974 Kubo .
- D. 239,342 3/1976 Dassler .
- D. 240,280 6/1976 Semter .
- D. 247,073 1/1978 Kane et al. .
- D. 248,512 7/1978 Nova et al. .
- D. 248,513 7/1978 Soler .
- D. 257,074 9/1980 Gucci .
- D. 263,643 4/1982 Vermonet .
- D. 265,015 6/1982 Higgins .
- D. 275,145 8/1984 Glatz .
- D. 276,569 12/1984 Kohno .
- D. 279,620 7/1985 Ueda .
- D. 283,366 4/1986 Chassaing .
- D. 283,463 4/1986 Chassaing .
- D. 284,043 6/1986 Lowe, Jr. et al. .
- D. 287,782 1/1987 Palacio .
- D. 290,900 7/1987 Schornstein et al. .
- D. 293,970 2/1988 Brown et al. .
- D. 294,654 3/1988 Liggett et al. .
- D. 295,341 4/1988 Liggett et al. .

Primary Examiner—Louis S. Zarfes
Assistant Examiner—Gregory Andoll
(74) *Attorney, Agent, or Firm*—Marshall A. Lerner, Esq.;
Bradford E. Mattes, Esq.; Kleinberg & Lerner, LLP

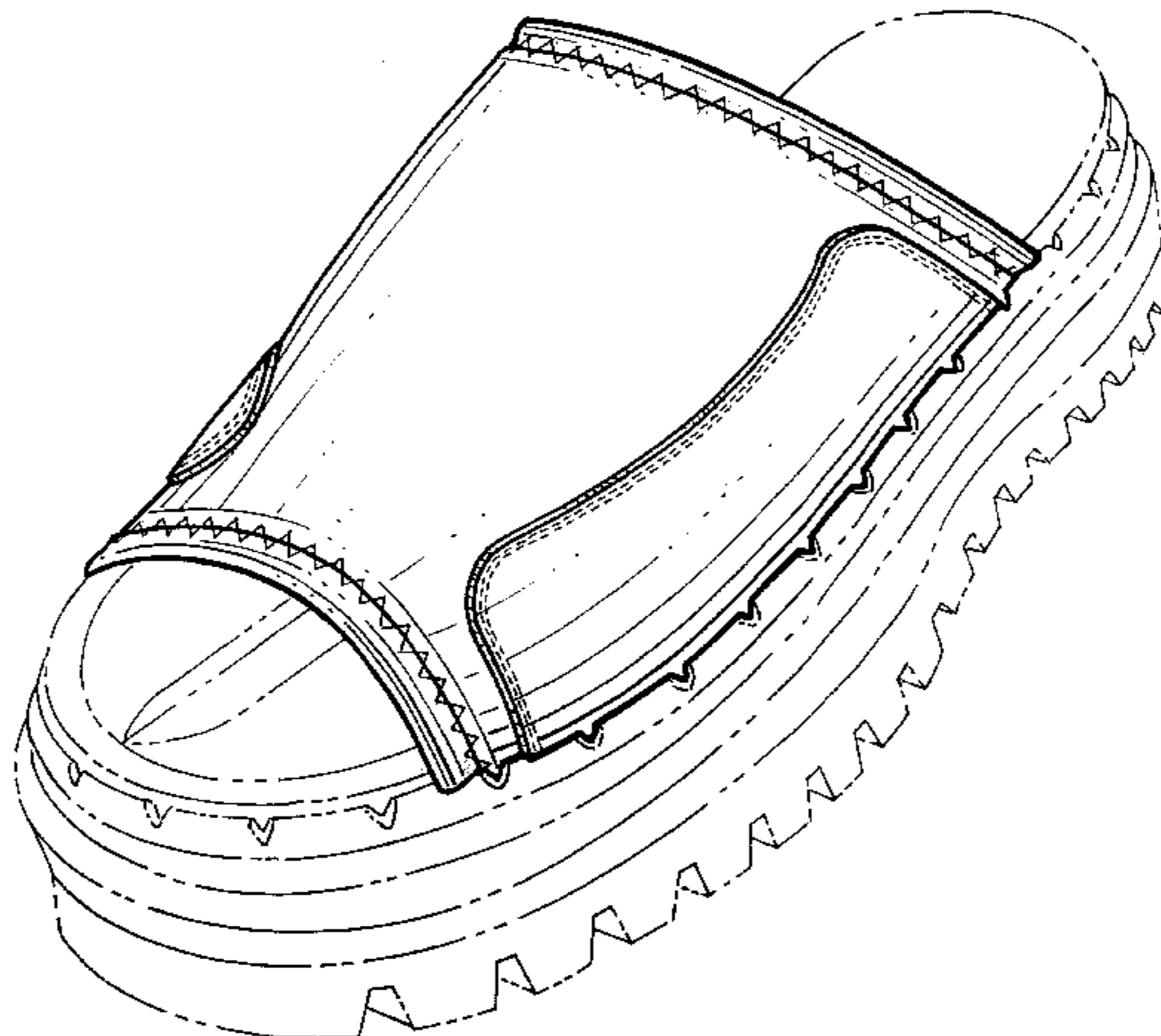
(57) **CLAIM**

The ornamental design for a shoe upper, as shown and described.

DESCRIPTION

FIG. 1 is a perspective view of the right, front and top of a shoe upper showing my new design;
FIG. 2 is a right side elevational view thereof;
FIG. 3 is a top plan view thereof;
FIG. 4 is a left side elevational view thereof;
FIG. 5 is a front elevational view thereof; and,
FIG. 6 is a rear elevational view thereof.
The broken line showing the shoe bottom in FIG. 1 is for illustrative purposes only and forms no part of the claimed design.

1 Claim, 3 Drawing Sheets



US D446,919 S

Page 2

U.S. PATENT DOCUMENTS

D. 311,268	10/1990	Hatfield .	D. 392,793	3/1998	Koh .
D. 315,054	3/1991	Hatfield .	D. 393,142	4/1998	Brown .
D. 317,224	6/1991	Lucas .	D. 394,145	5/1998	von Conta .
D. 317,823	7/1991	Hatfield .	D. 399,043	10/1998	Duclos et al. .
D. 318,944	8/1991	Lucas .	D. 399,044	10/1998	Hamel .
D. 326,354	5/1992	Hatfield .	D. 400,697	11/1998	Egelja et al. .
D. 326,950	6/1992	Legacki et al. .	D. 400,699	11/1998	Brooks et al. .
D. 328,667	8/1992	Tonkel et al. .	D. 402,100	12/1998	Greenberg .
D. 329,734	9/1992	Preskar et al. .	D. 402,454	12/1998	Kelchak .
D. 330,626	11/1992	McDonald et al. .	D. 403,148	12/1998	Kelchak .
D. 333,553	3/1993	Bevier .	D. 403,849	1/1999	Greenberg .
D. 334,651	4/1993	Smith .	D. 404,553	1/1999	Greenberg .
D. 337,649	7/1993	Greene .	D. 404,905	2/1999	Kelchak .
D. 341,476	11/1993	Duclos .	D. 405,238	2/1999	Hamel .
D. 341,937	12/1993	Minkin .	D. 405,599	2/1999	Hamel .
D. 342,370	12/1993	Keen .	D. 405,600	2/1999	Hamel .
D. 345,460	3/1994	Ryder .	D. 408,124	4/1999	Reynolds .
D. 346,897	5/1994	Morris et al. .	D. 408,979	5/1999	Boyer .
D. 349,806	8/1994	Minkin .	D. 410,326	6/1999	Duclos .
D. 350,021 *	8/1994	Stein .	D. 421,828 *	3/2000	Malka D2/916
D. 351,275 *	10/1994	Hatfield et al. .	1,823,445 *	9/1931	Goldstone 36/11.5
D. 351,939 *	11/1994	Ryder .	1,952,628	3/1934	MacDonald .
D. 353,481 *	12/1994	Cintron .	1,973,292	9/1934	Littell et al. .
D. 353,482 *	12/1994	Cintron .	2,226,110	12/1940	Bass .
D. 354,165 *	1/1995	Werman .	2,247,459	7/1941	Wolfhard et al. .
D. 355,069 *	2/1995	Aveni .	2,299,500	10/1942	Sawyer .
D. 356,436 *	3/1995	Sutton et al. .	2,311,746	2/1943	Ghez et al. .
D. 358,702 *	5/1995	Edwards .	2,330,273	9/1943	Finn .
D. 358,930 *	6/1995	Blanchini .	2,370,109	2/1945	Pipitone .
D. 361,884 *	9/1995	Lozano .	2,591,211	4/1952	Spencer .
D. 362,333 *	9/1995	Teague .	2,642,677	6/1953	Yates .
D. 363,158 *	10/1995	Matis et al. .	2,853,806	9/1958	White .
D. 365,199 *	12/1995	Avar .	2,889,639	6/1959	Rudine .
D. 365,200 *	12/1995	Teague .	2,932,911	4/1960	Musebeck et al. .
D. 365,922 *	1/1996	O'Rorke .	2,978,817	4/1961	Brenner .
D. 366,141 *	1/1996	von Conta .	3,095,656	7/1963	Lipare .
D. 367,161 *	2/1996	Shea .	3,323,233	6/1967	Scholl .
D. 368,578 *	4/1996	Smith .	3,545,107	12/1970	Cinquegrana et al. .
D. 369,456 *	5/1996	Peterson .	3,672,078	6/1972	Fukuoka .
D. 370,554 *	6/1996	Greene .	3,729,840	5/1973	Famolare, Jr. .
D. 374,763 *	10/1996	von Conta .	3,798,804	3/1974	Funck .
D. 375,615 *	11/1996	McDonald .	3,890,725	6/1975	Lea et al. .
D. 377,860 *	2/1997	Renault .	4,290,212	9/1981	Matsson .
D. 379,030 *	5/1997	Egelja .	4,300,256	11/1981	Laganas .
D. 380,594 *	7/1997	von Conta .	4,314,413	2/1982	Dassler .
D. 380,597 *	7/1997	Brooks et al. .	4,538,366	9/1985	Norton .
D. 381,492 *	7/1997	Nakano .	4,651,447	3/1987	Sullivan .
D. 381,794 *	8/1997	Gelli .	4,670,998	6/1987	Pasternak .
D. 381,798 *	8/1997	Cyr .	4,736,531	4/1988	Richard .
D. 382,389 *	8/1997	Morris .	4,742,625	5/1988	Sydor et al. .
D. 382,992	9/1997	Chiu .	4,896,440	1/1990	Salaverria .
D. 384,195	9/1997	Brooks et al. .	4,949,476	8/1990	Anderie .
D. 385,395	10/1997	Morris .	4,972,610	11/1990	Tong .
D. 385,397	10/1997	Duclos et al. .	5,369,895	12/1994	Hammerschmidt .
D. 385,689	11/1997	James .	5,371,957	12/1994	Gaudio .
D. 387,194	12/1997	Serna .	5,621,986	4/1997	Medina et al. .
D. 392,792	3/1998	Obi .	5,802,738 *	9/1998	Ferniani 36/11.5

* cited by examiner

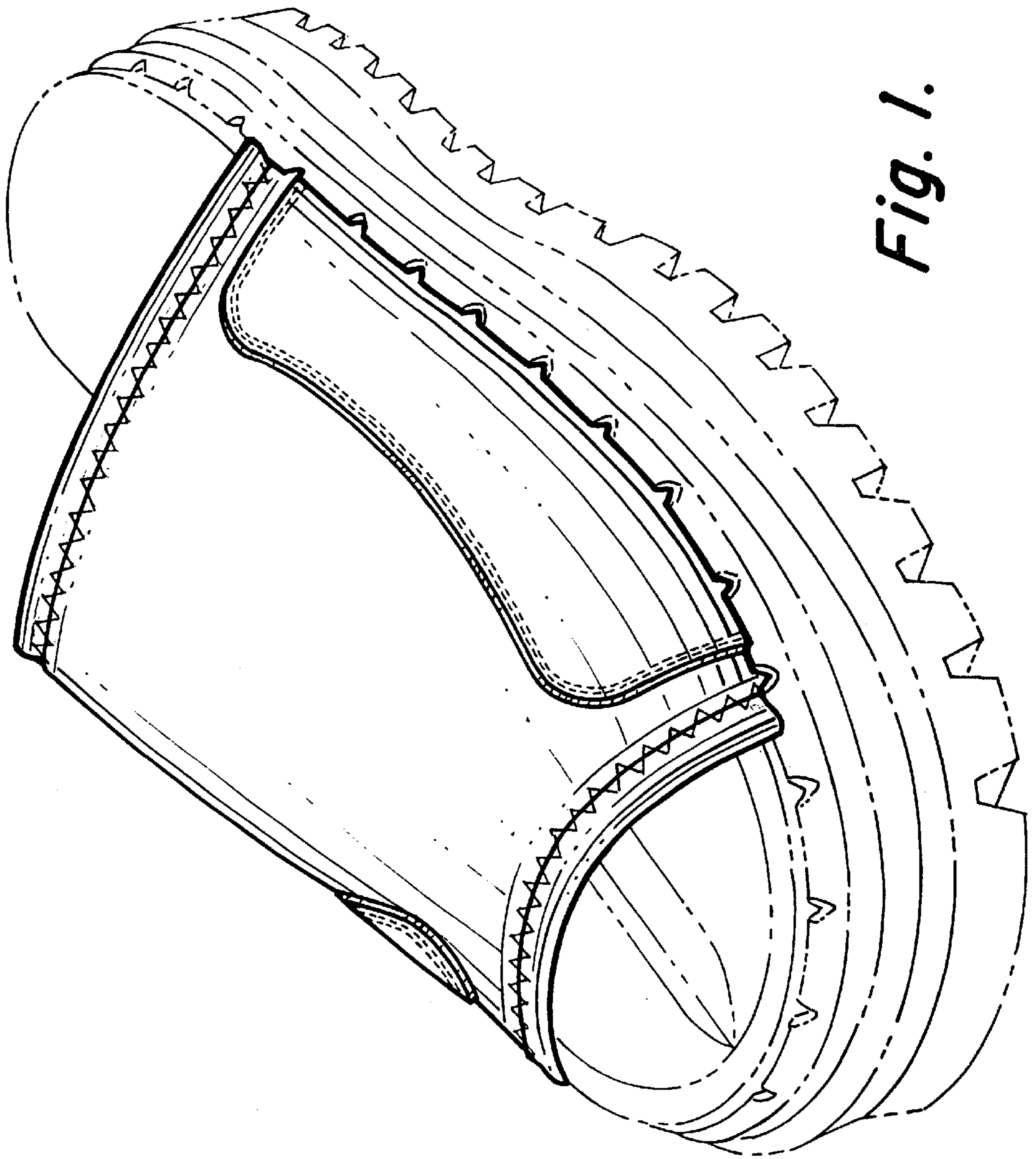


Fig. 1.

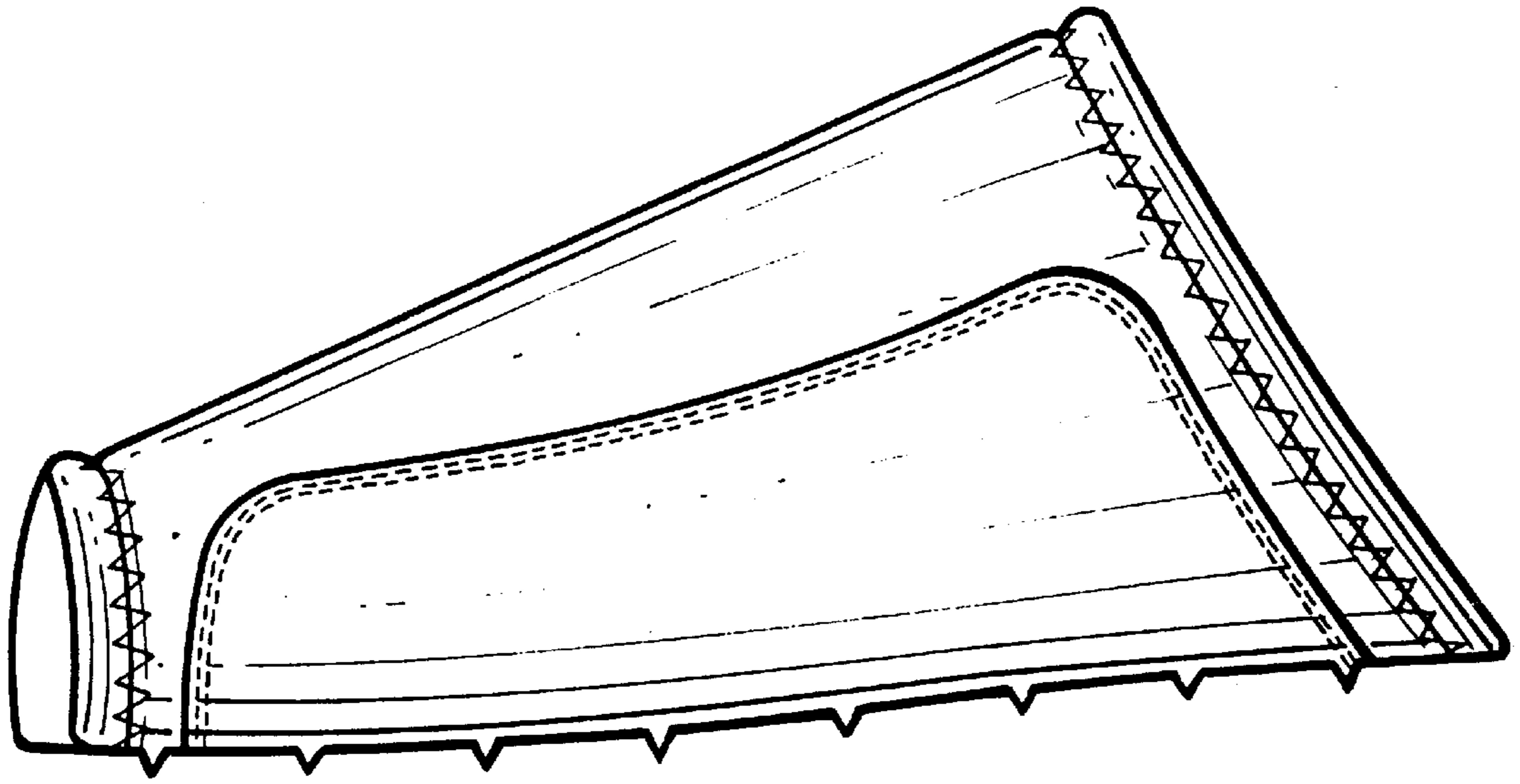


Fig. 2.

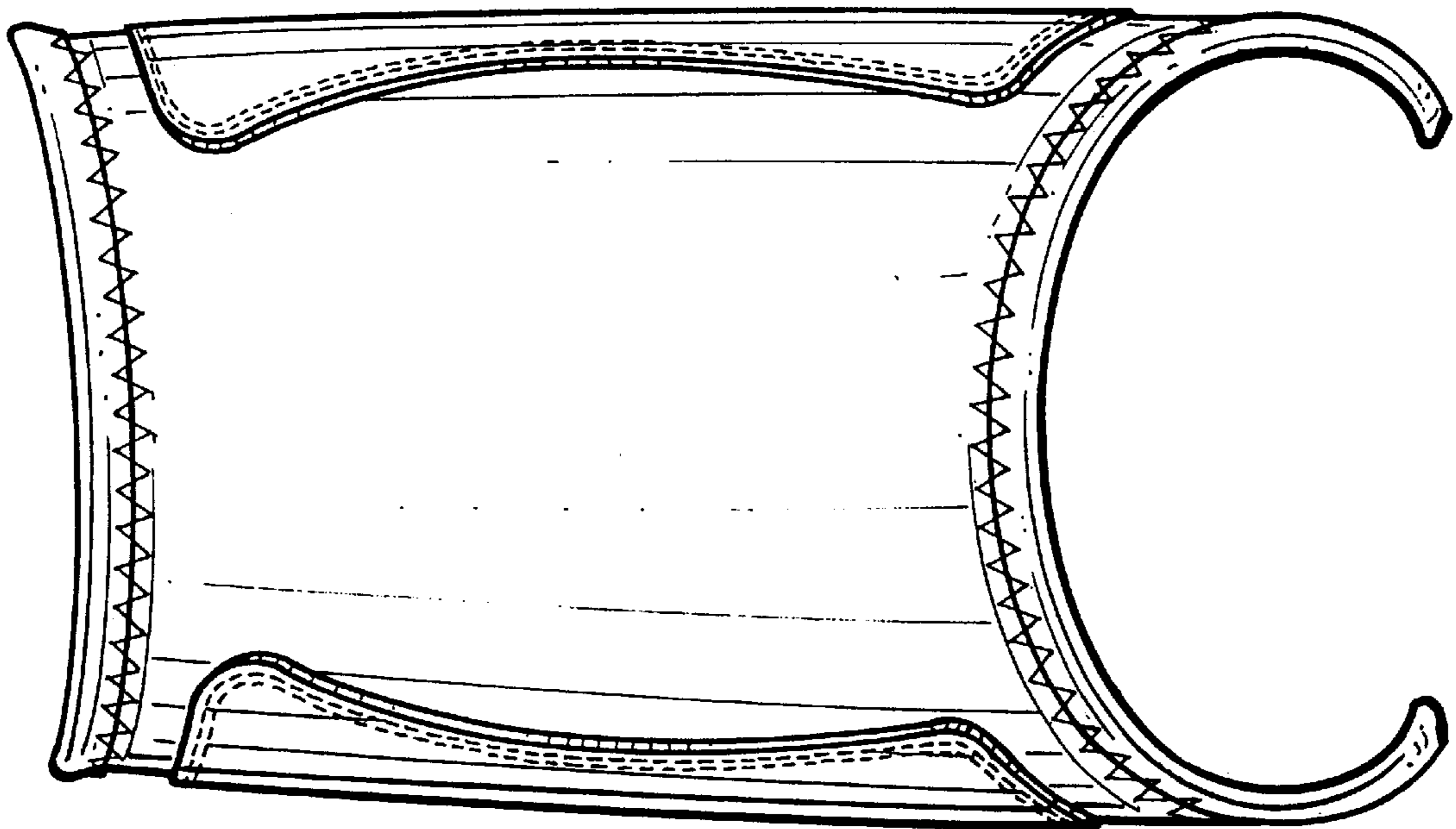


Fig. 3.

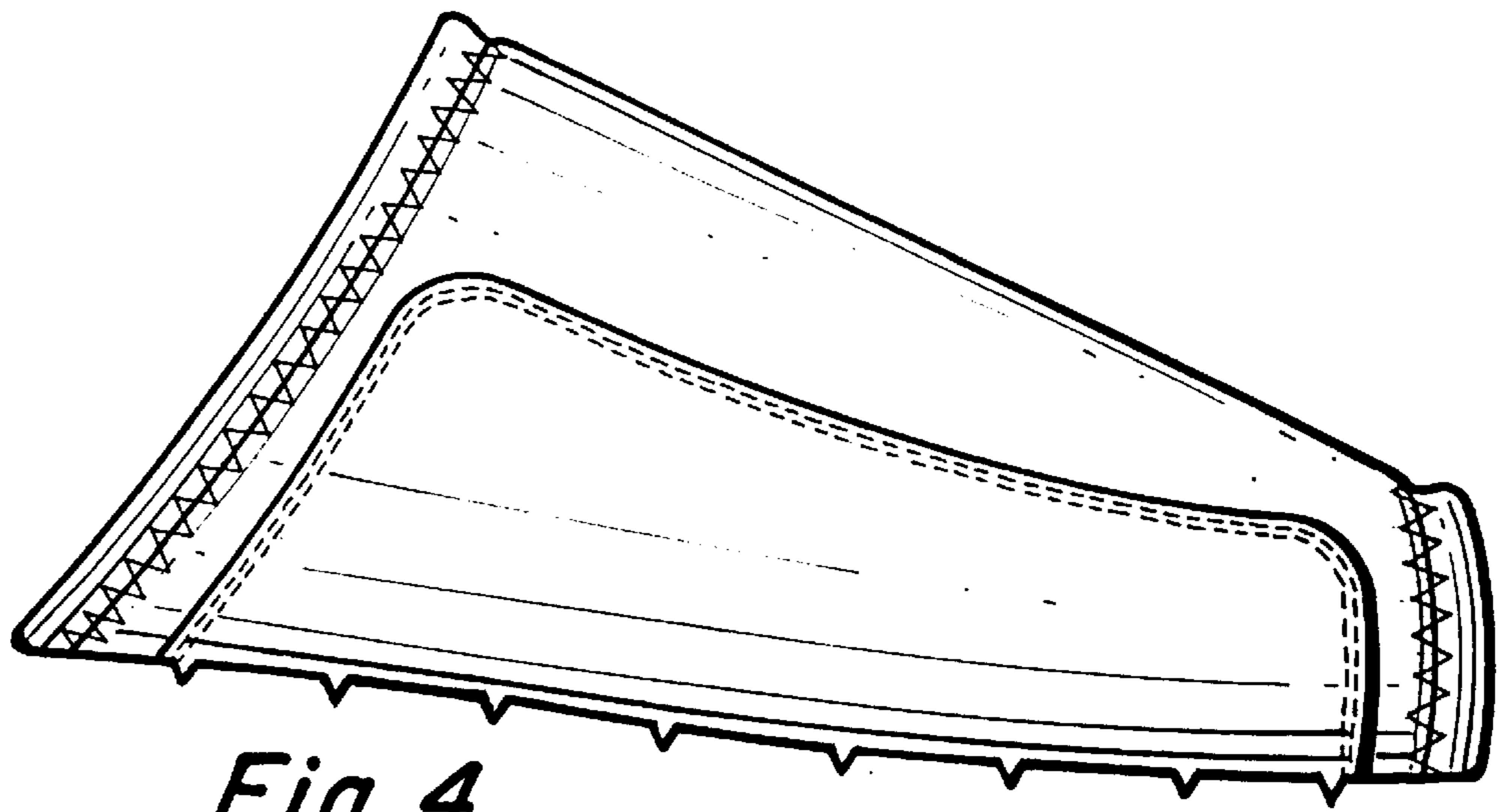


Fig. 4.

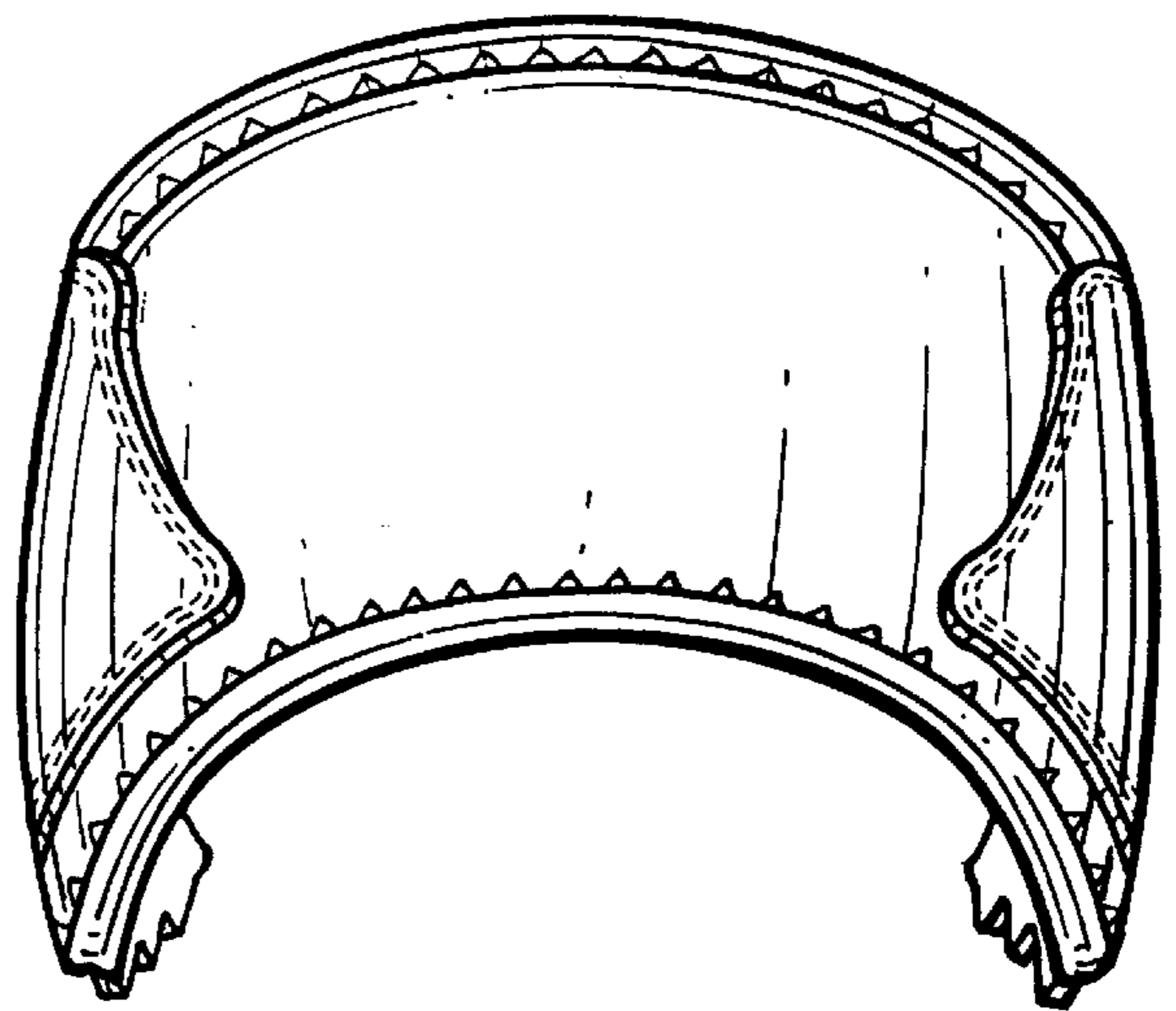


Fig. 5.

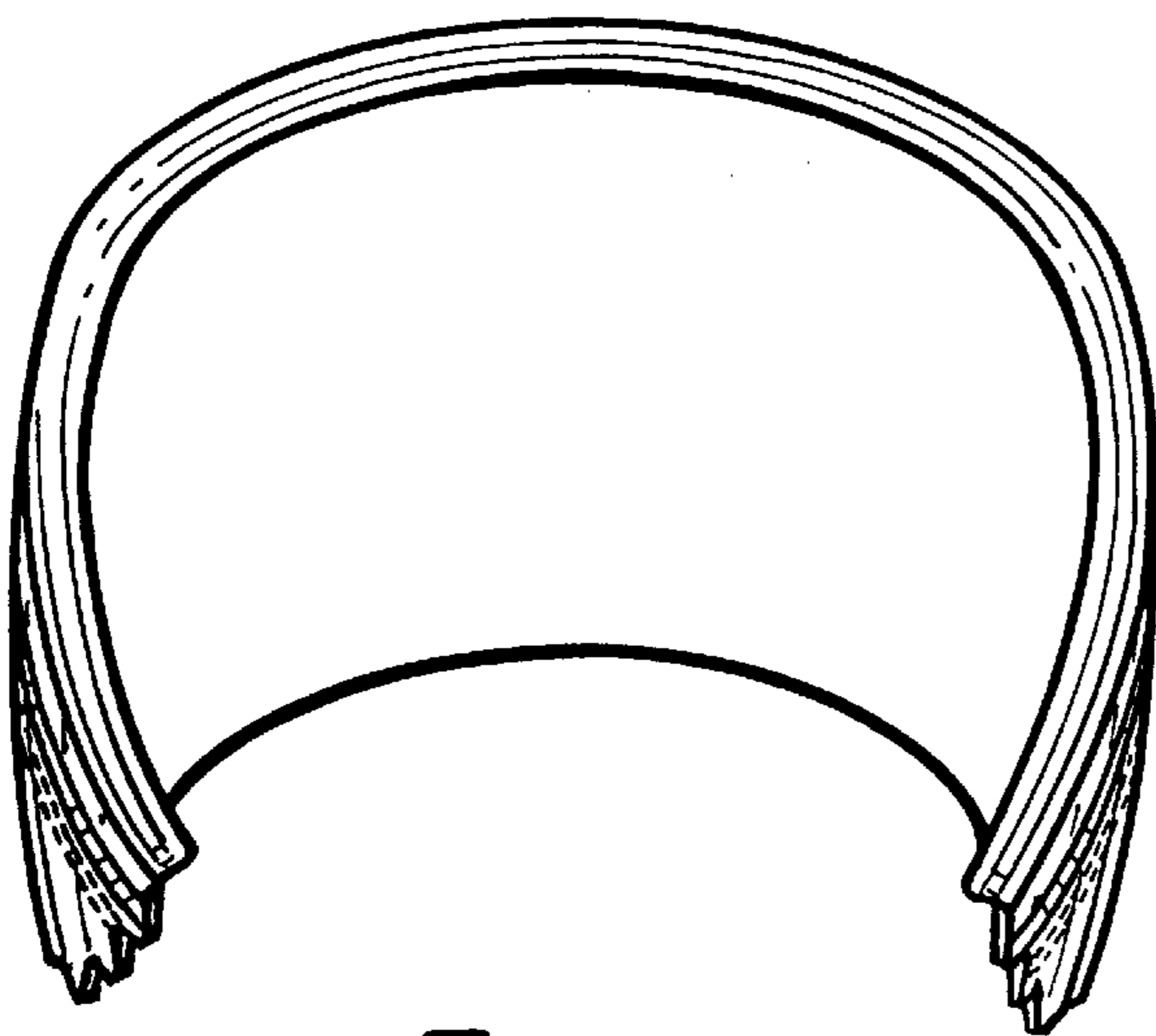


Fig. 6.