



US00D446906B1

(12) **United States Design Patent**  
**Lackman**

(10) **Patent No.:** **US D446,906 S**

(45) **Date of Patent:** **\*\* Aug. 28, 2001**

(54) **BELT**

(76) Inventor: **Milton Lackman**, 17 Church Hill,  
Westmount, Quebec (CA), H3Y 2Z8

(\*\*) Term: **14 Years**

(21) Appl. No.: **29/131,168**

(22) Filed: **Oct. 16, 2000**

(51) **LOC (7) Cl.** ..... **02-07**

(52) **U.S. Cl.** ..... **D2/627**

(58) **Field of Search** ..... D2/624, 625, 627,  
D2/628, 629, 636, 639; 2/300, 227, 311,  
322, 325, 336, 338; 24/163 R, 182, 191,  
174, 163 FC

(56) **References Cited**

**U.S. PATENT DOCUMENTS**

600,331	3/1898	Lanz .	
1,775,723	* 9/1930	Horix .....	24/191
1,877,416	* 9/1932	Matheus .....	24/163 R
1,993,310	3/1935	Schreiber .	
2,159,857	5/1939	Mix .	
2,253,816	* 8/1941	Sherwood .....	24/163 R
2,718,043	* 9/1955	Wallace .....	24/182
2,905,994	* 9/1959	Krasnow et al. ....	24/182
2,916,742	12/1959	Sobel .	
3,017,641	1/1962	Stollman .	
3,562,766	2/1971	Dye .	
3,848,270	* 11/1974	Rand .....	2/311

3,903,547	9/1975	Schiller .	
5,046,197	* 9/1991	Chernuchin et al. ....	2/322
5,575,011	* 11/1996	Allen .....	2/227
5,826,280	10/1998	Bradley .	

\* cited by examiner

*Primary Examiner*—Paula A. Mortimer

(74) *Attorney, Agent, or Firm*—Jon Carl Gealow

(57) **CLAIM**

The ornamental design for a belt, as shown and described.

**DESCRIPTION**

FIG. 1 is a rear elevational view of a belt showing my new design, the belt is drawn broken away to show indeterminate length;

FIG. 2 is a front elevational view thereof;

FIG. 3 is an end view thereof;

FIG. 4 is an opposite end view thereof;

FIG. 5 is a side elevational view thereof;

FIG. 6 is an opposite side elevational view thereof;

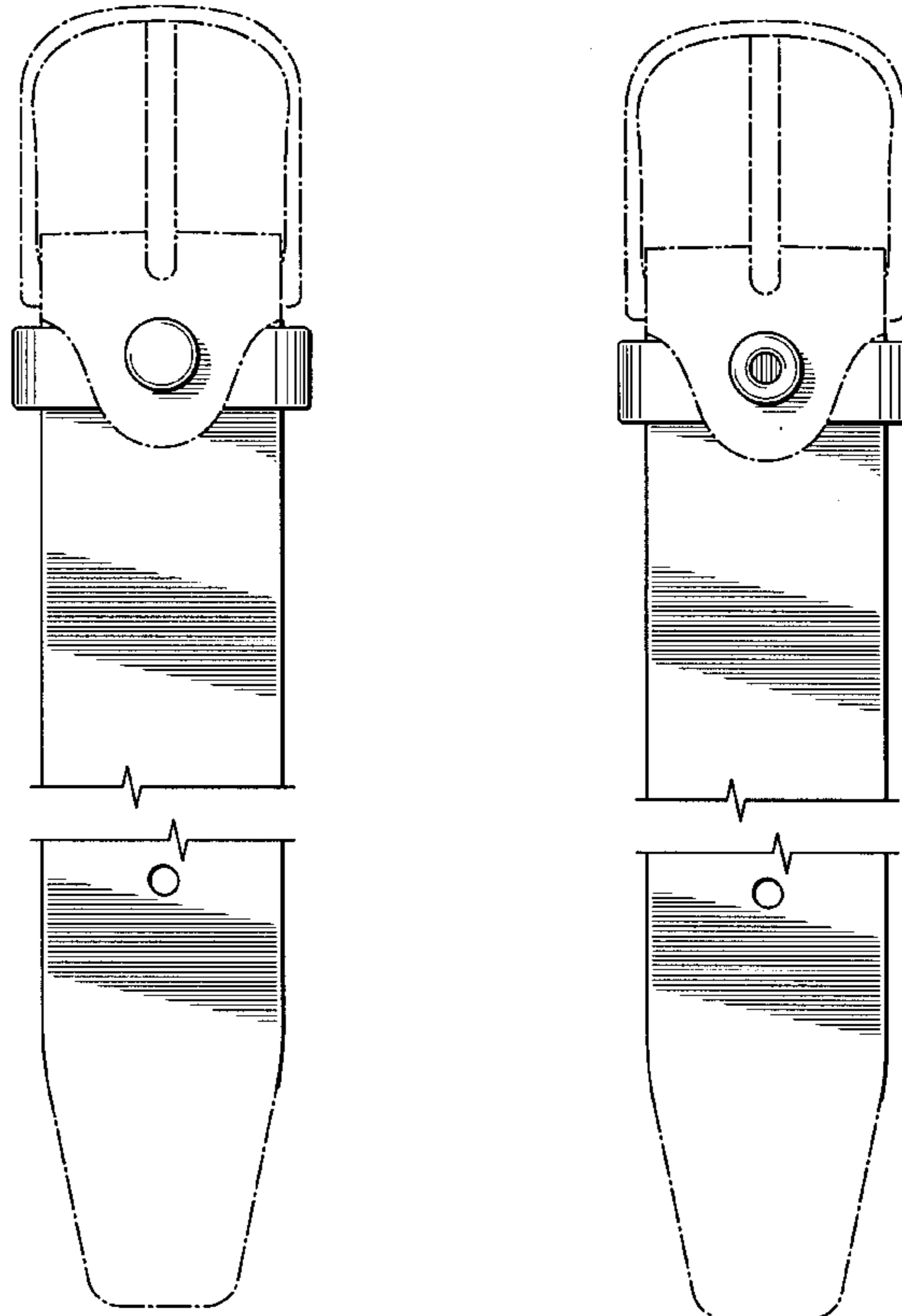
FIG. 7 is a perspective view thereof;

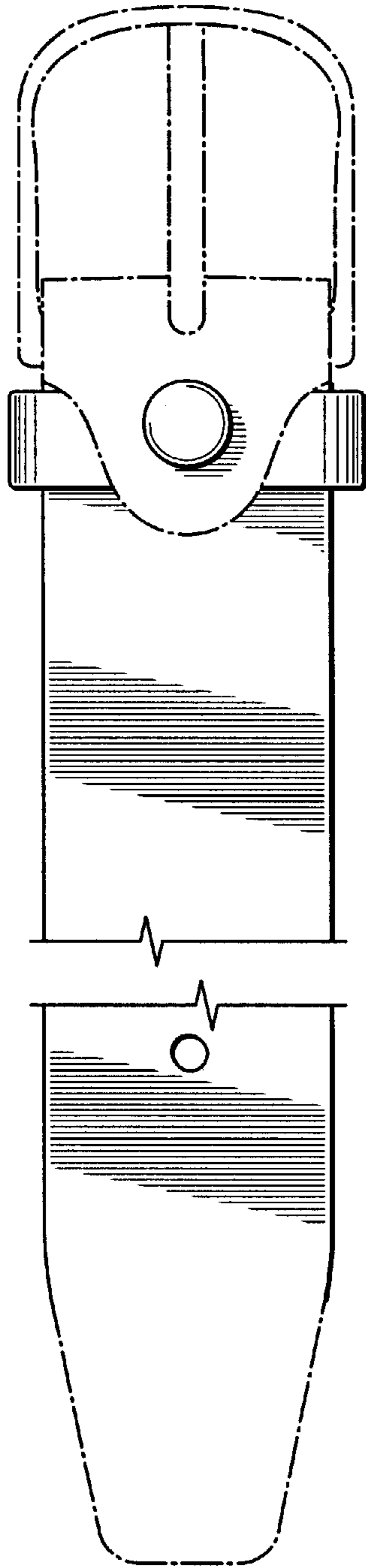
FIG. 8 is a perspective view of the first embodiment in an open position; and,

FIG. 9 is a rear elevational view of a belt illustrating the second embodiment of the present design.

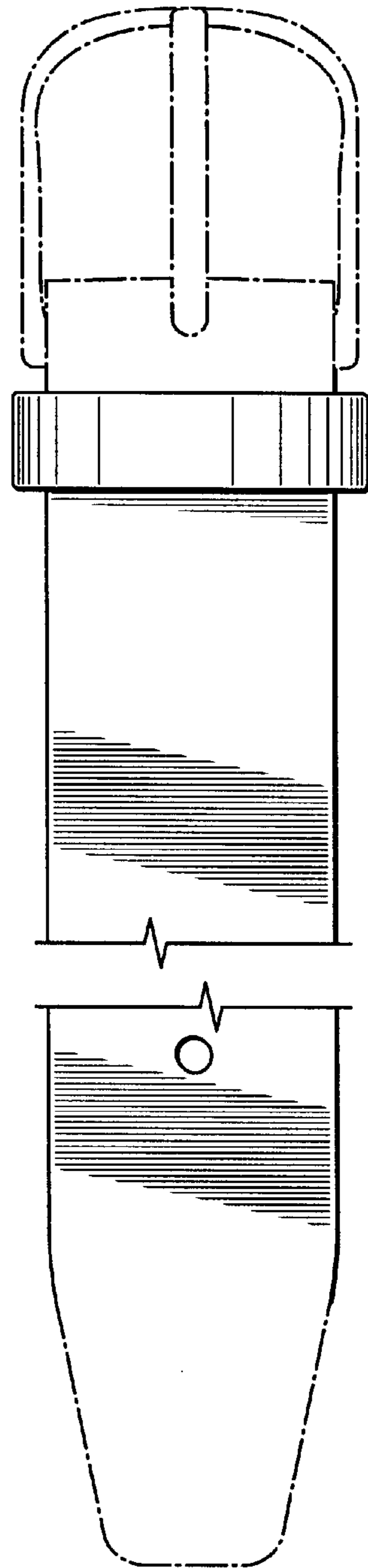
The broken line showing of buckle and belt end is for illustrative purposes only and forms no part of the claimed design.

**1 Claim, 4 Drawing Sheets**

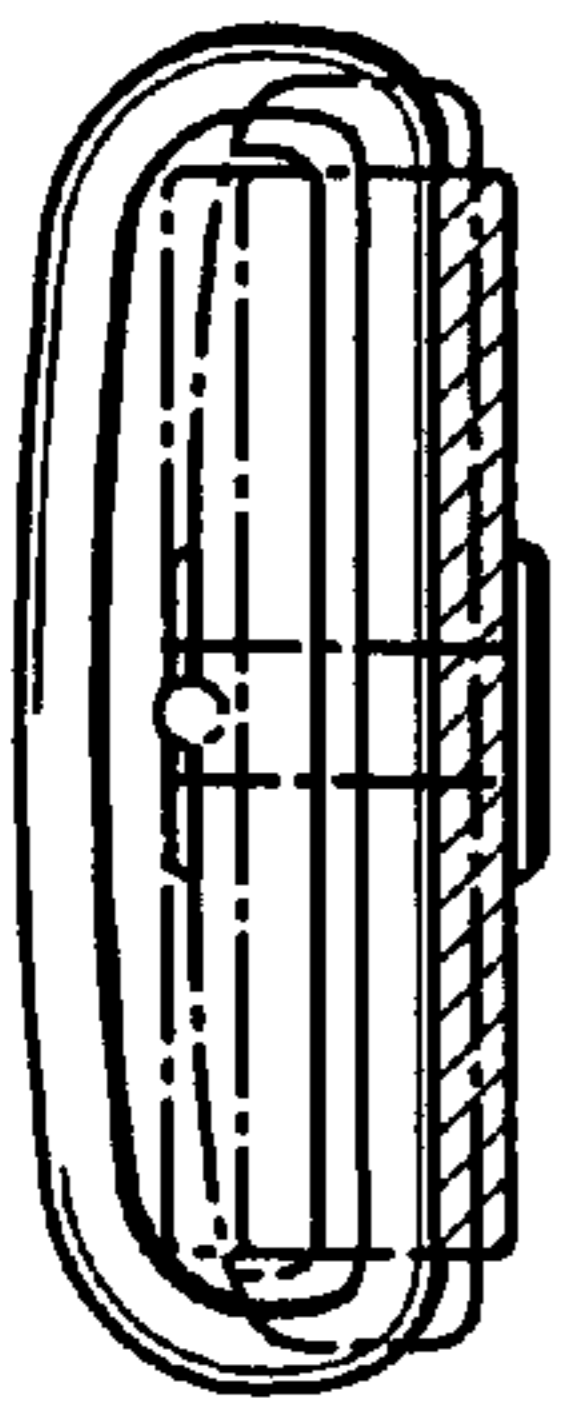




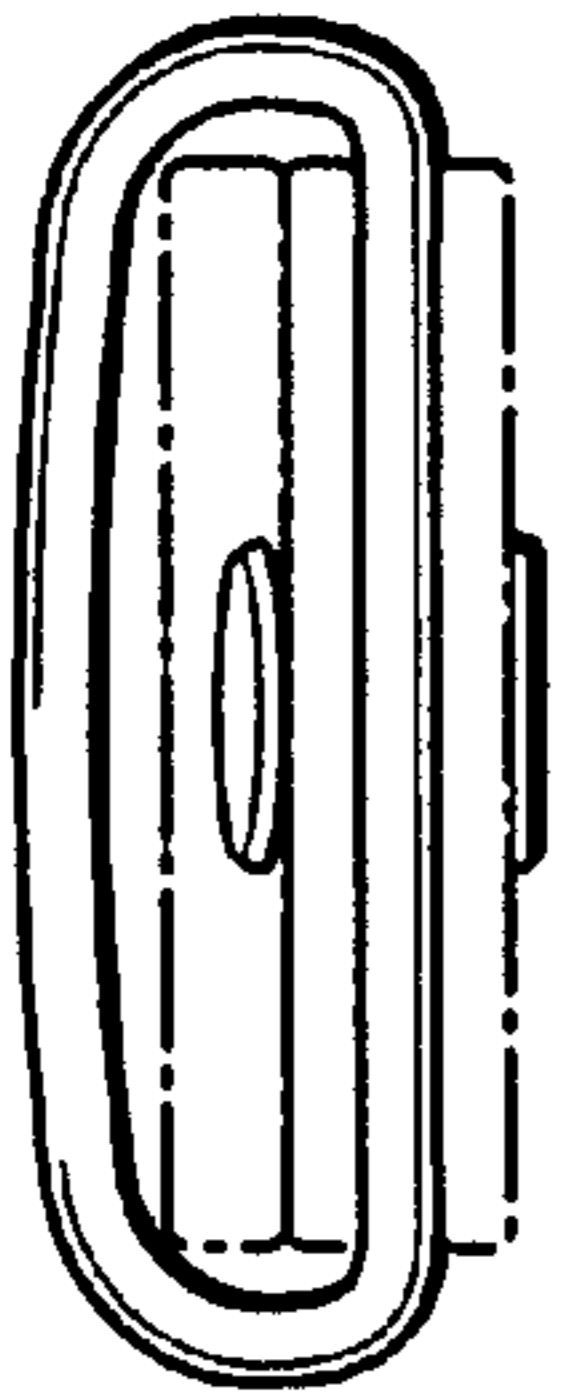
**FIG. 1**



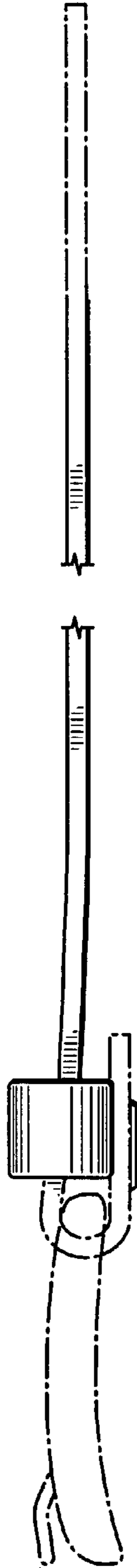
**FIG. 2**



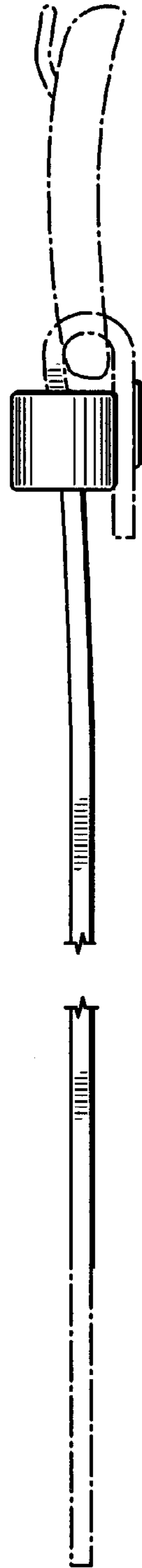
**FIG. 3**



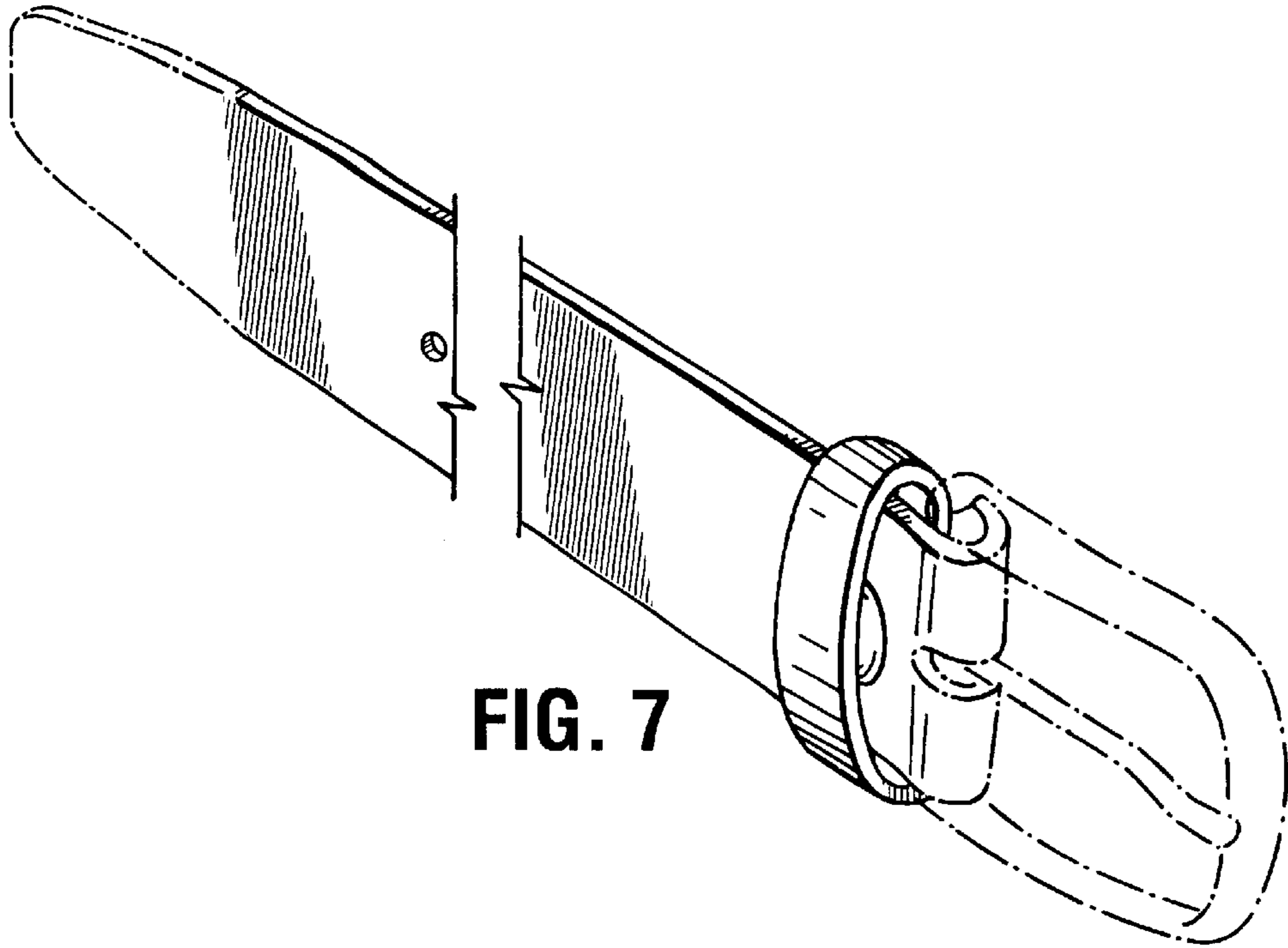
**FIG. 4**



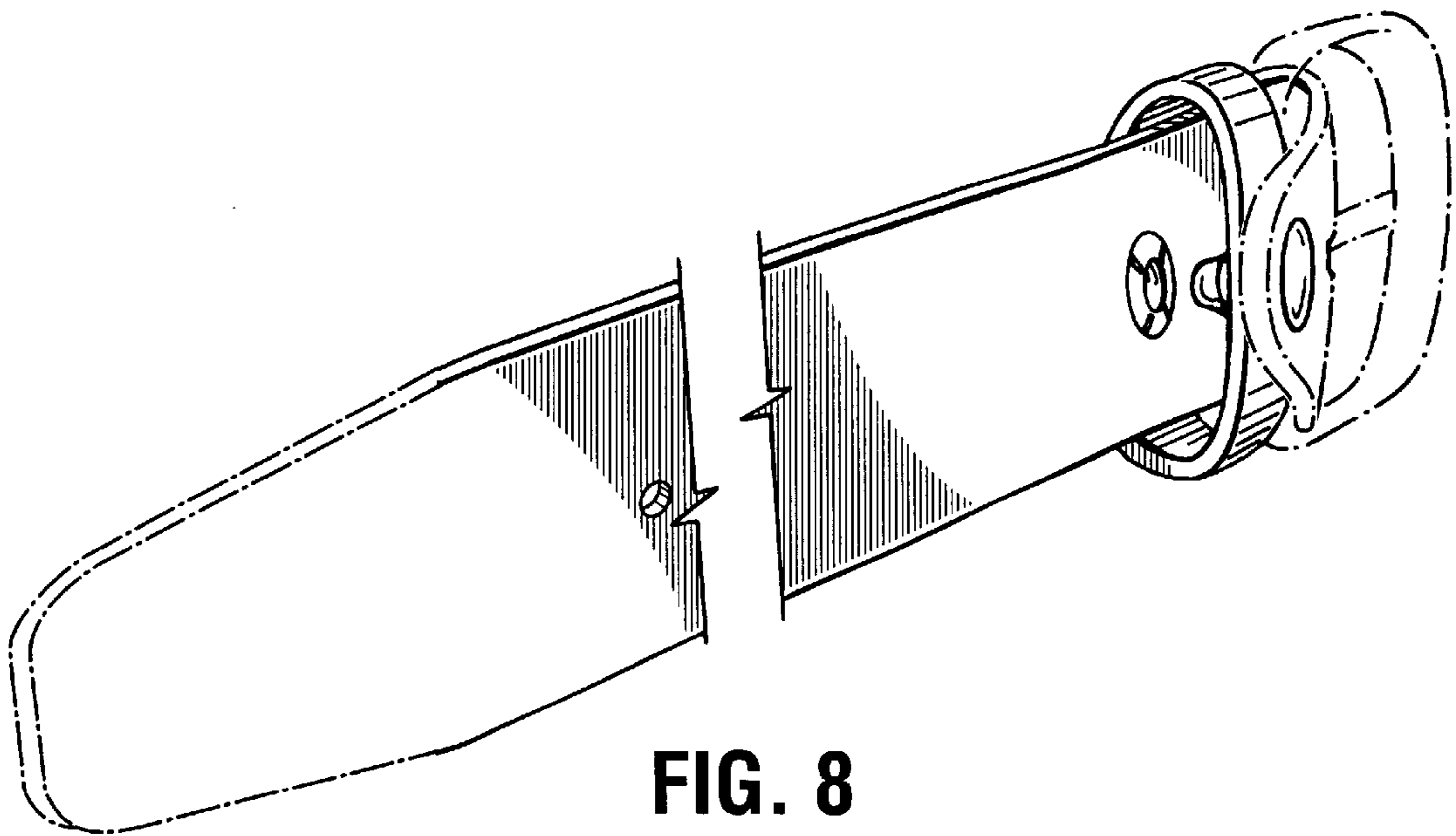
**FIG. 5**



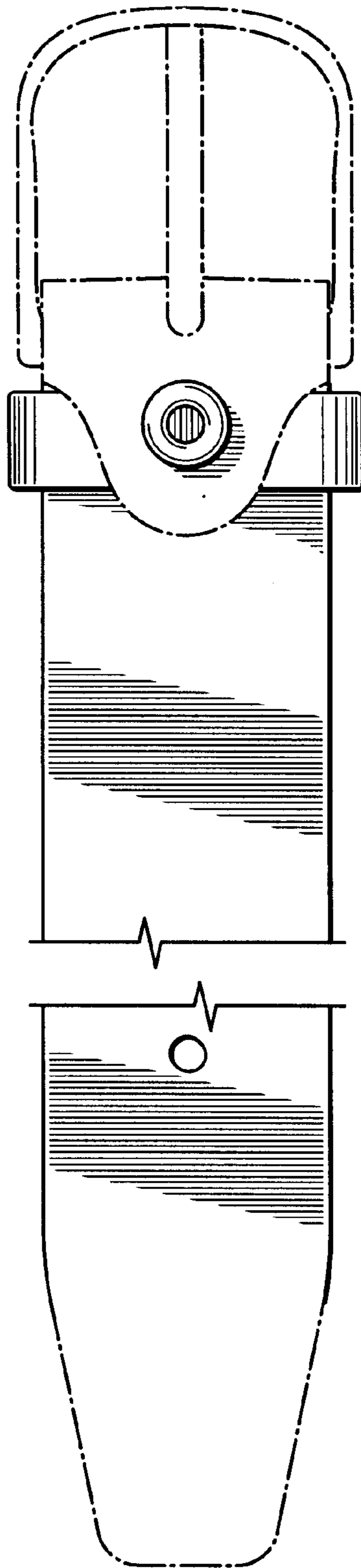
**FIG. 6**



**FIG. 7**



**FIG. 8**



**FIG. 9**

UNITED STATES PATENT AND TRADEMARK OFFICE  
**CERTIFICATE OF CORRECTION**

PATENT NO. : Des 446,906 S  
DATED : August 28, 2001  
INVENTOR(S) : Milton Lackman

Page 1 of 1

It is certified that error appears in the above-identified patent and that said Letters Patent is hereby corrected as shown below:

Title page,  
Item [73], insert:

-- [73] Assignee: **Arrow Manufacturing Incorporated**  
Montreal, Quebec --

Signed and Sealed this

Twentieth Day of August, 2002

*Attest:*

A handwritten signature in black ink, appearing to read "James E. Rogan", written over a horizontal line.

*Attesting Officer*

JAMES E. ROGAN  
*Director of the United States Patent and Trademark Office*