



US00D446901B1

(12) **United States Design Patent**
Izzi

(10) **Patent No.:** **US D446,901 S**

(45) **Date of Patent:** **** Aug. 21, 2001**

(54) **CREMATION URN LID**

(75) Inventor: **Stephen J. Izzi**, Warwick, RI (US)

(73) Assignee: **Wilbert Funeral Services, Inc.**,
Broadview, IL (US)

(**) Term: **14 Years**

(21) Appl. No.: **29/129,312**

(22) Filed: **Sep. 12, 2000**

(51) **LOC (7) Cl.** **99-00**

(52) **U.S. Cl.** **D99/5**

(58) **Field of Search** D99/1, 5; 27/1,
27/8, 19, 35; D9/435, 454; D7/391, 392.1;
D11/143, 153, 154, 152, 151, 150; D28/76,
82

(56) **References Cited**

U.S. PATENT DOCUMENTS

D. 98,914	*	3/1936	Briscoe	D99/5
D. 313,754	*	1/1991	Pomroy	D9/435
D. 356,422	*	3/1995	Parker	D99/5
D. 360,732	*	7/1995	Parker	D99/5
D. 438,685	*	3/2001	Robinson	D99/5

OTHER PUBLICATIONS

Photo of lid with urn (1997).
Photo of Personal Expressions Emblems for lids (emblems sold on the sides of urns for more than one year prior to the filing of this application).

* cited by examiner

Primary Examiner—Paula A. Mortimer

(74) *Attorney, Agent, or Firm*—Brinks Hofer Gilson & Lione

(57) **CLAIM**

The ornamental design for a cremation urn lid, as shown and described.

DESCRIPTION

FIG. 1 is a perspective view of our new, original and ornamental design for a cremation urn lid, according to a first embodiment;

FIG. 2 is a side view of FIG. 1;

FIG. 3 is a top view of the lid of FIG. 1; and,

FIG. 4 is a bottom view of the lid of FIG. 1.

The broken lines in the Figures are for illustrative purposes only and form no part of the claimed design.

1 Claim, 1 Drawing Sheet

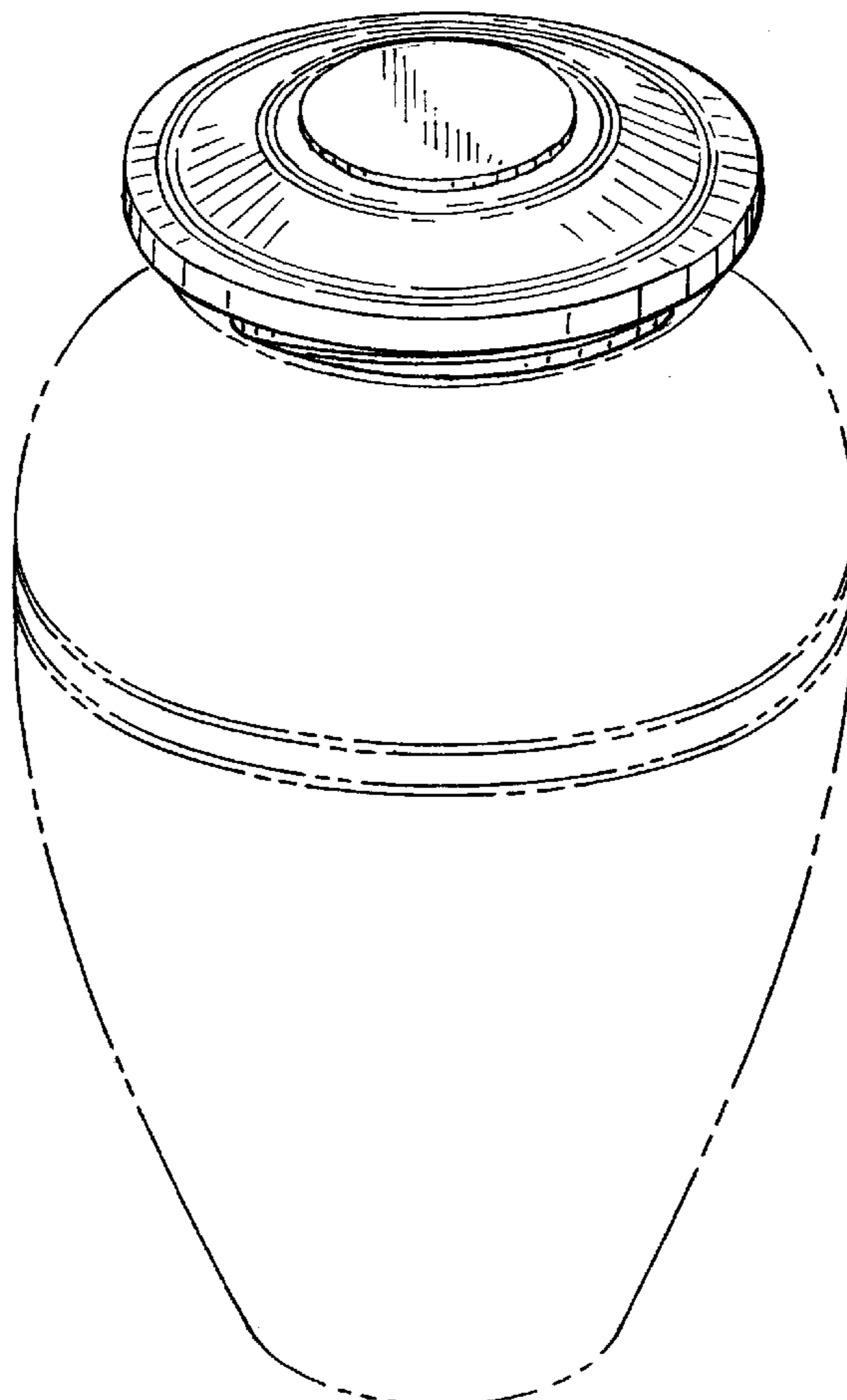


FIG.2

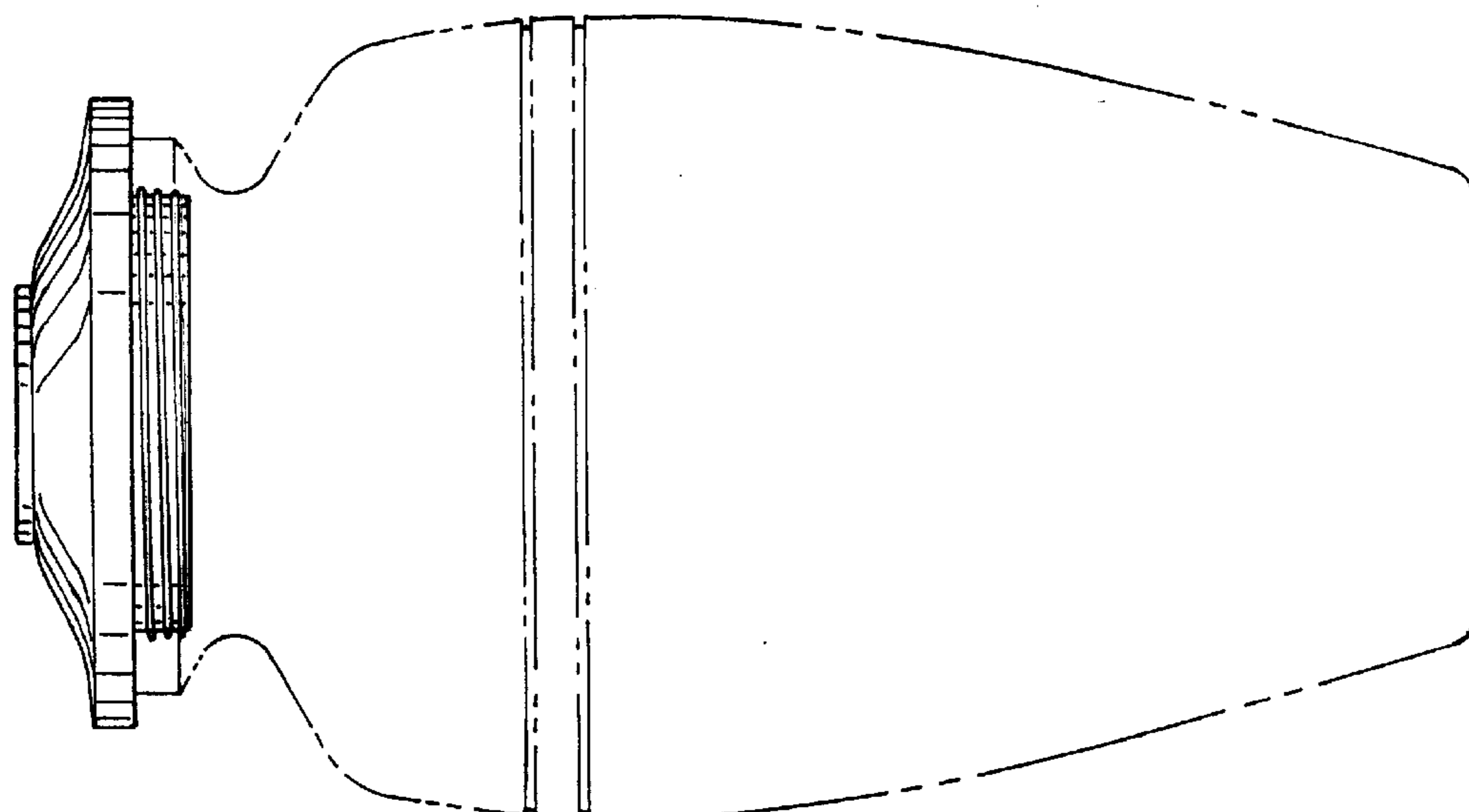


FIG.3

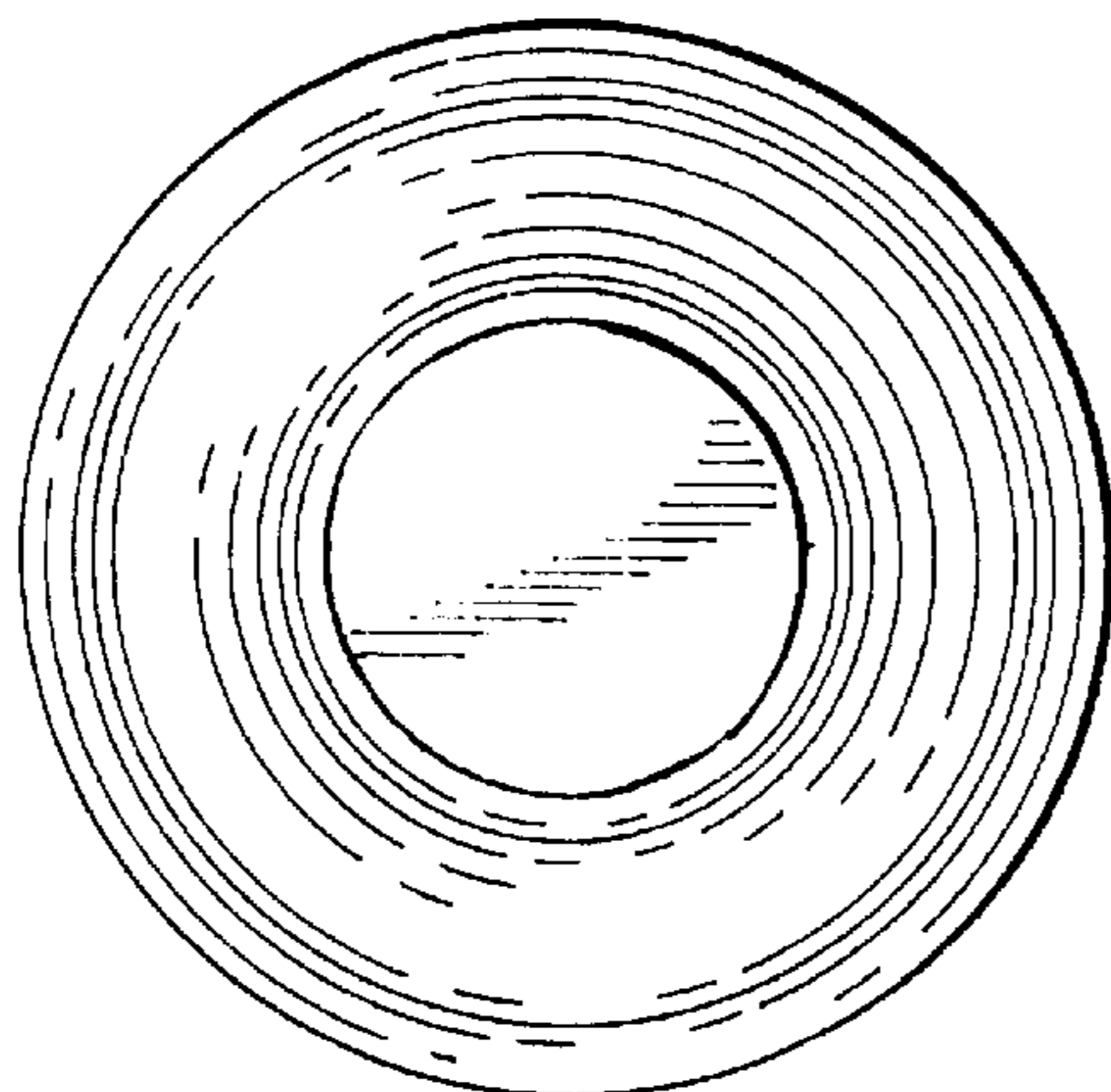


FIG.4

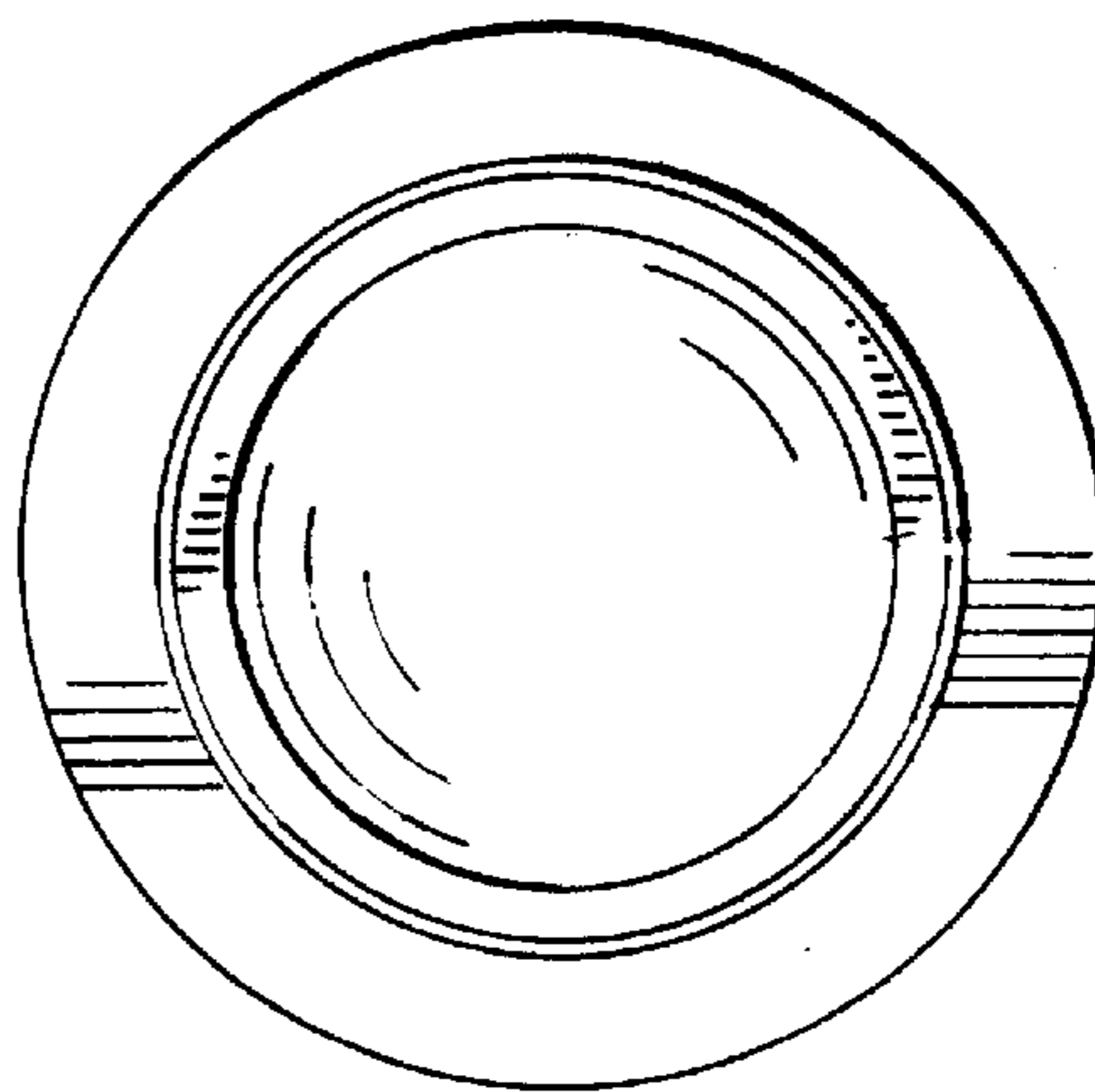


FIG.1

