



US00D446896B1

(12) **United States Design Patent**
Cann

(10) **Patent No.:** **US D446,896 S**

(45) **Date of Patent:** **** Aug. 21, 2001**

(54) **SPONGE MOP HEAD**

(75) Inventor: **Robert A. Cann**, Amherst, MA (US)

(73) Assignee: **Milla Company Inc.**, Amherst, MA (US)

(**) Term: **14 Years**

(21) Appl. No.: **29/120,662**

(22) Filed: **Mar. 23, 2000**

(51) **LOC (7) Cl.** **04-01**

(52) **U.S. Cl.** **D32/40; D32/50**

(58) **Field of Search** **D32/40, 42, 44, D32/50; 15/116.1, 116.2, 119.1, 119.2, 147.1, 228**

(56) **References Cited**

U.S. PATENT DOCUMENTS

D. 195,818	*	8/1963	Herman et al.	D32/50
D. 206,571	*	1/1967	Herman et al.	D32/50
D. 336,699		6/1993	Murphy .	
D. 358,224		5/1995	Teufel et al. .	
D. 401,702		11/1998	Berti .	
5,406,667		4/1995	Teufel et al. .	
5,502,858		4/1996	Hoagland et al. .	

OTHER PUBLICATIONS

Sell Sheet, Sponge Mop; Kellogg Brush Manufacturing Co., Easthampton, MA, Publication Date Jan. 1993.

* cited by examiner

Primary Examiner—Alan P. Douglas

Assistant Examiner—Lavone Tabor

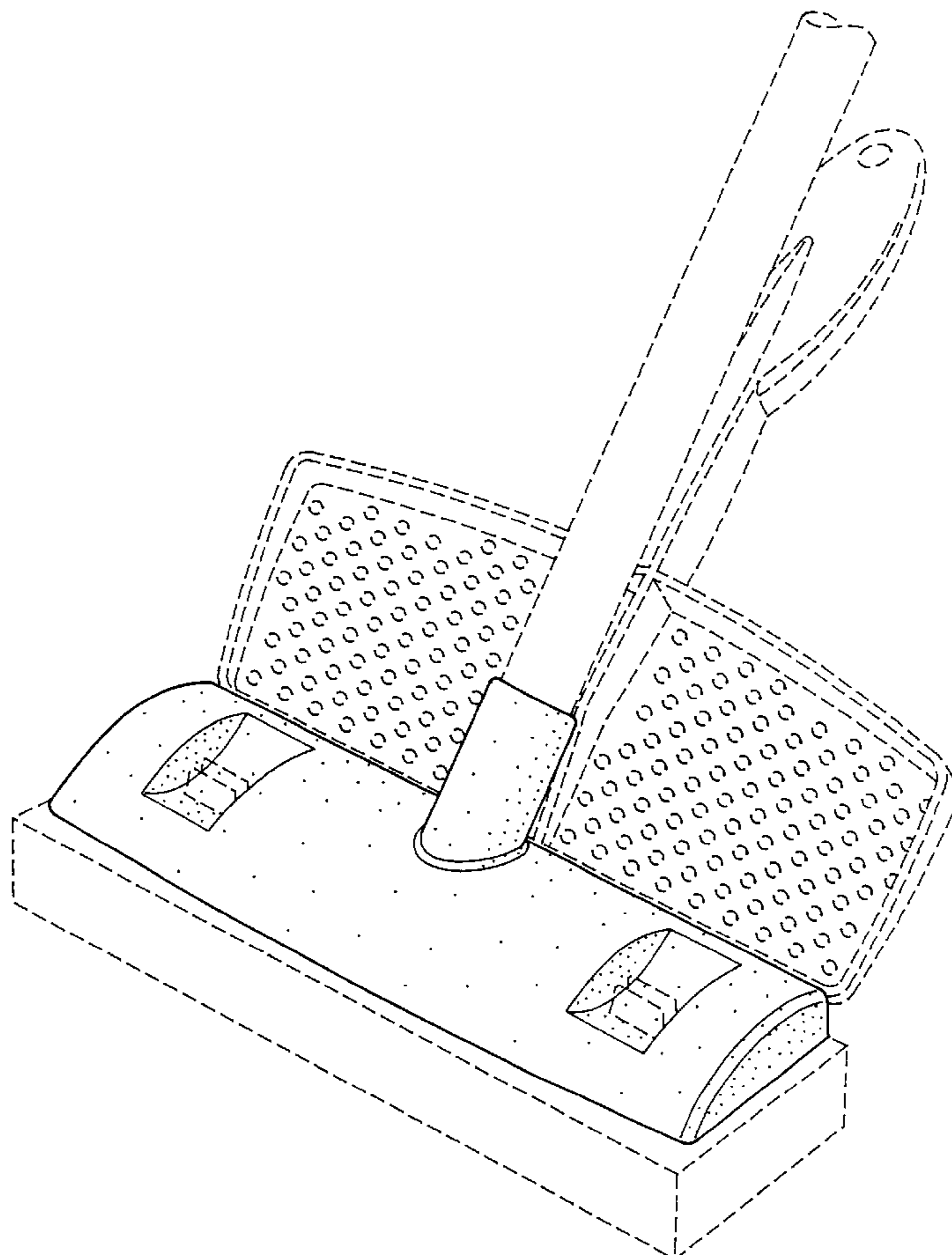
(57) **CLAIM**

The ornamental design for a sponge mop head, as shown and described.

DESCRIPTION

FIG. 1 is a top right front perspective view of my sponge mop head design, wherein the broken lines are for illustrative purposes only and form no part of my claimed design. FIG. 2 is the top right front perspective view of FIG. 1, but with most of the broken lines removed; FIG. 3 is a top view thereof; FIG. 4 is a front view thereof; FIG. 5 is a cross-sectional view along the lines 5—5 of FIG. 3; FIG. 6 is a right side view of my invention, the left side view being a mirror image; FIG. 7 is a bottom view thereof, and, FIG. 8 is a back view of my invention.

1 Claim, 3 Drawing Sheets



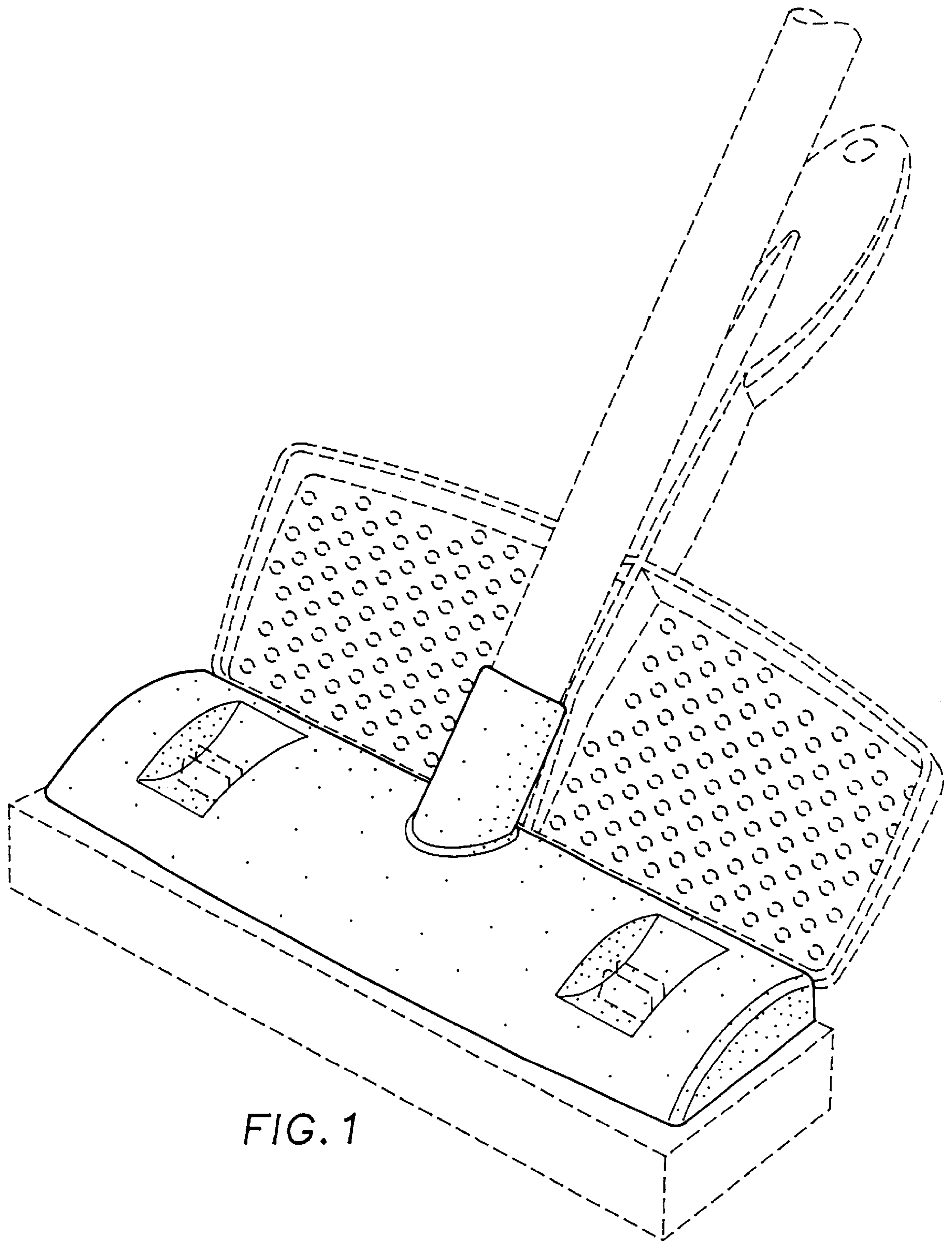


FIG. 1

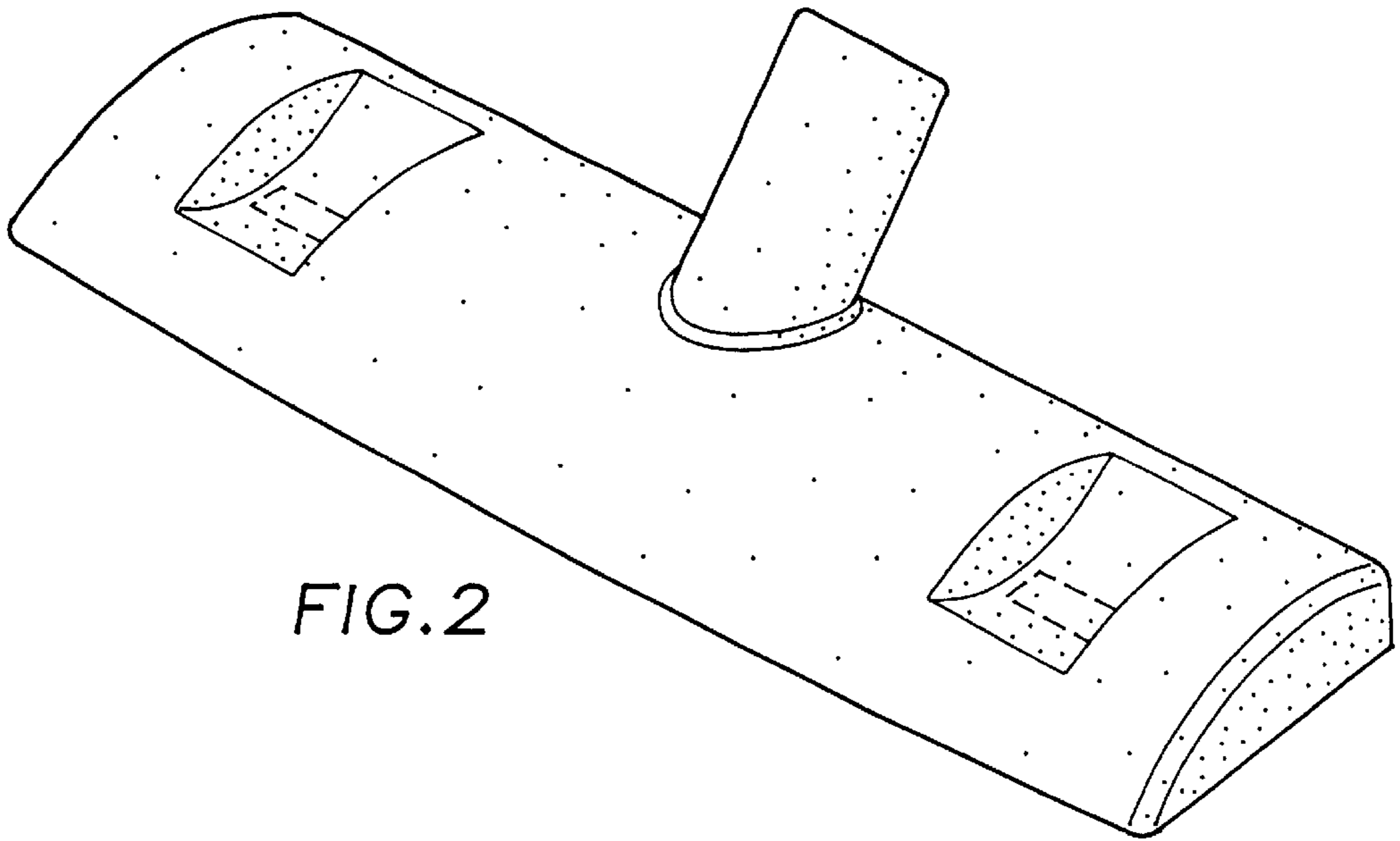


FIG. 2

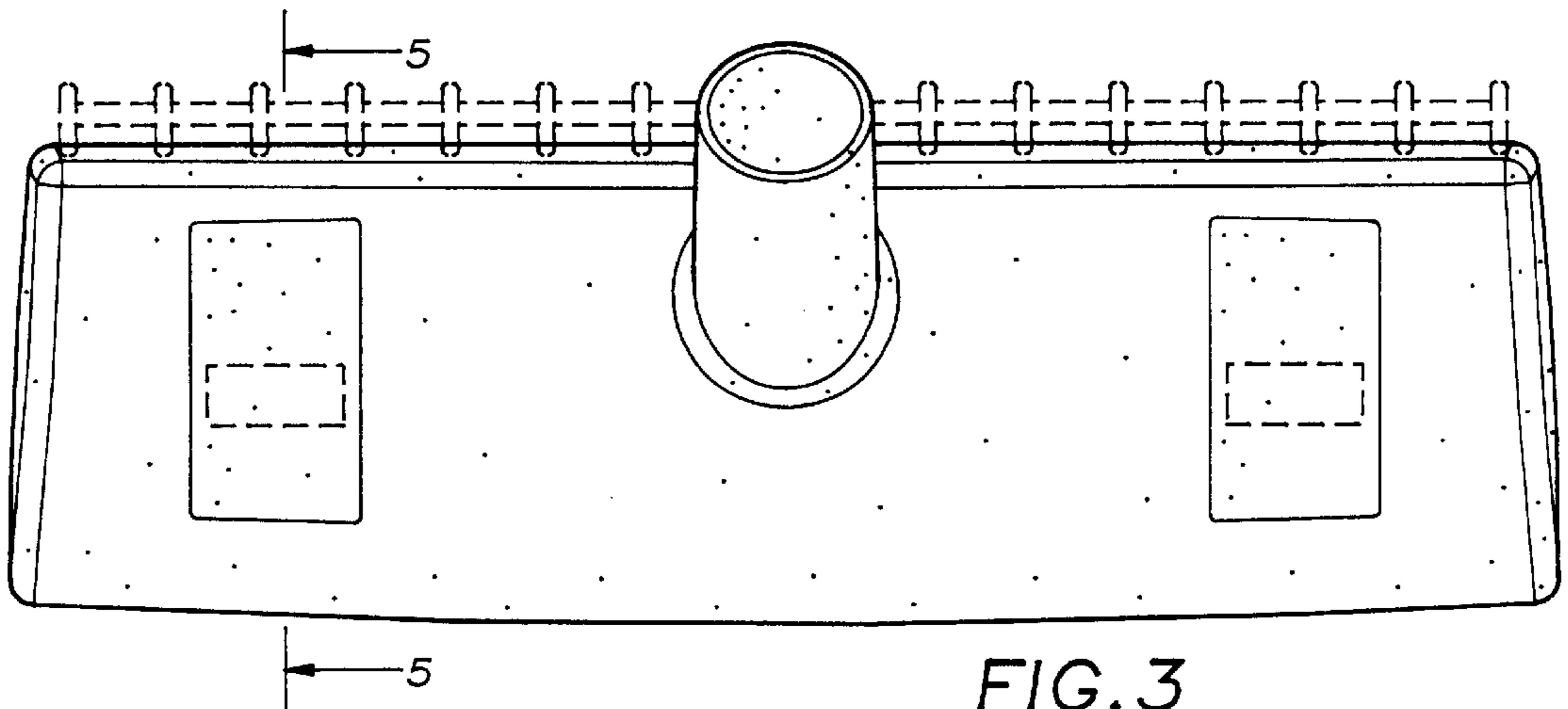


FIG. 3

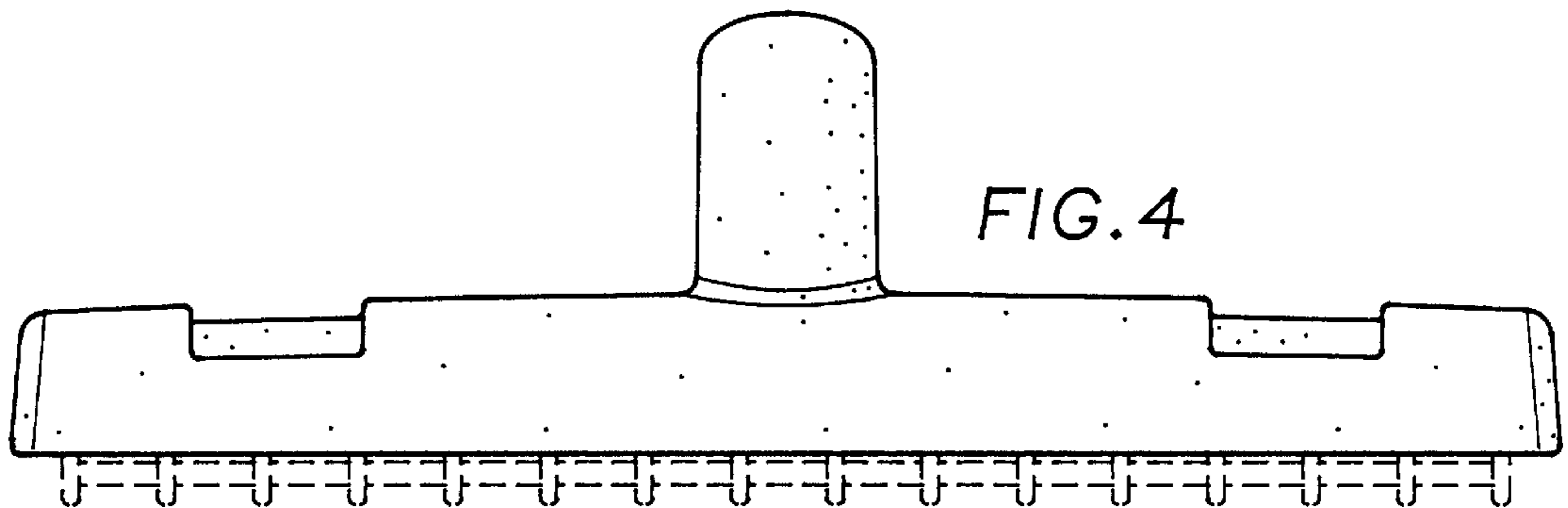


FIG. 4

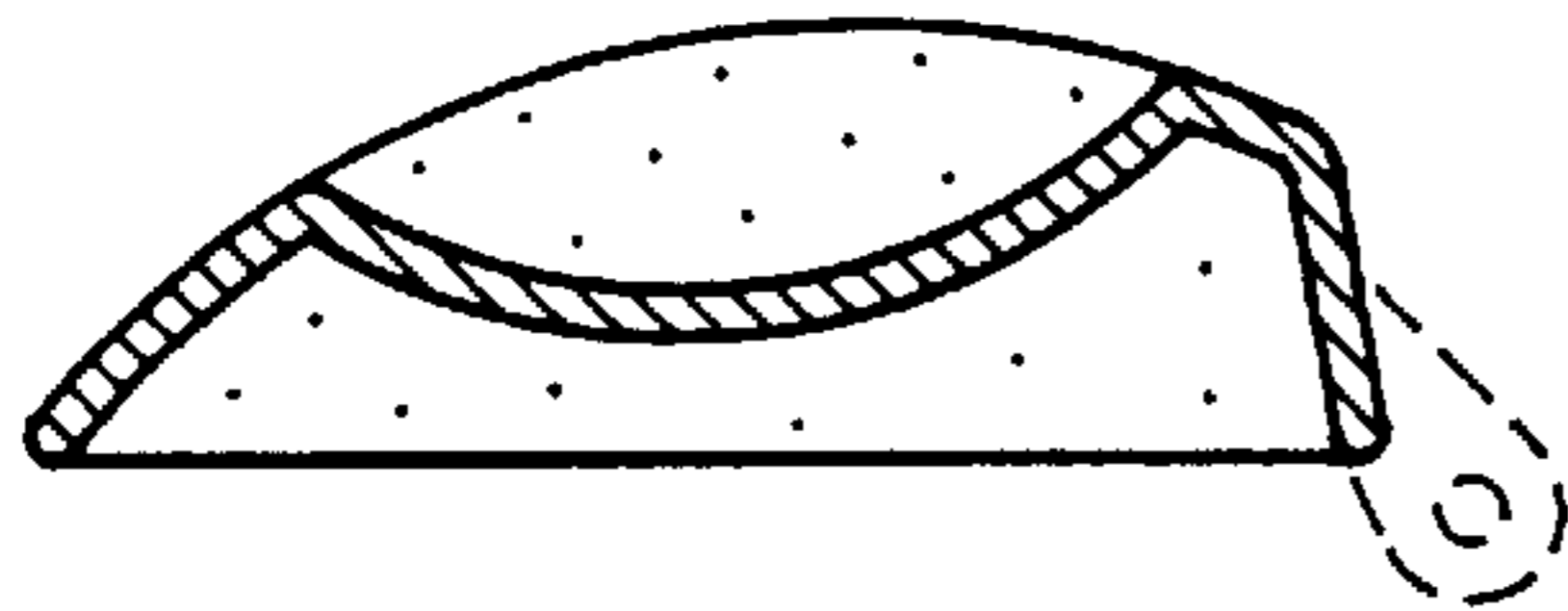


FIG. 5

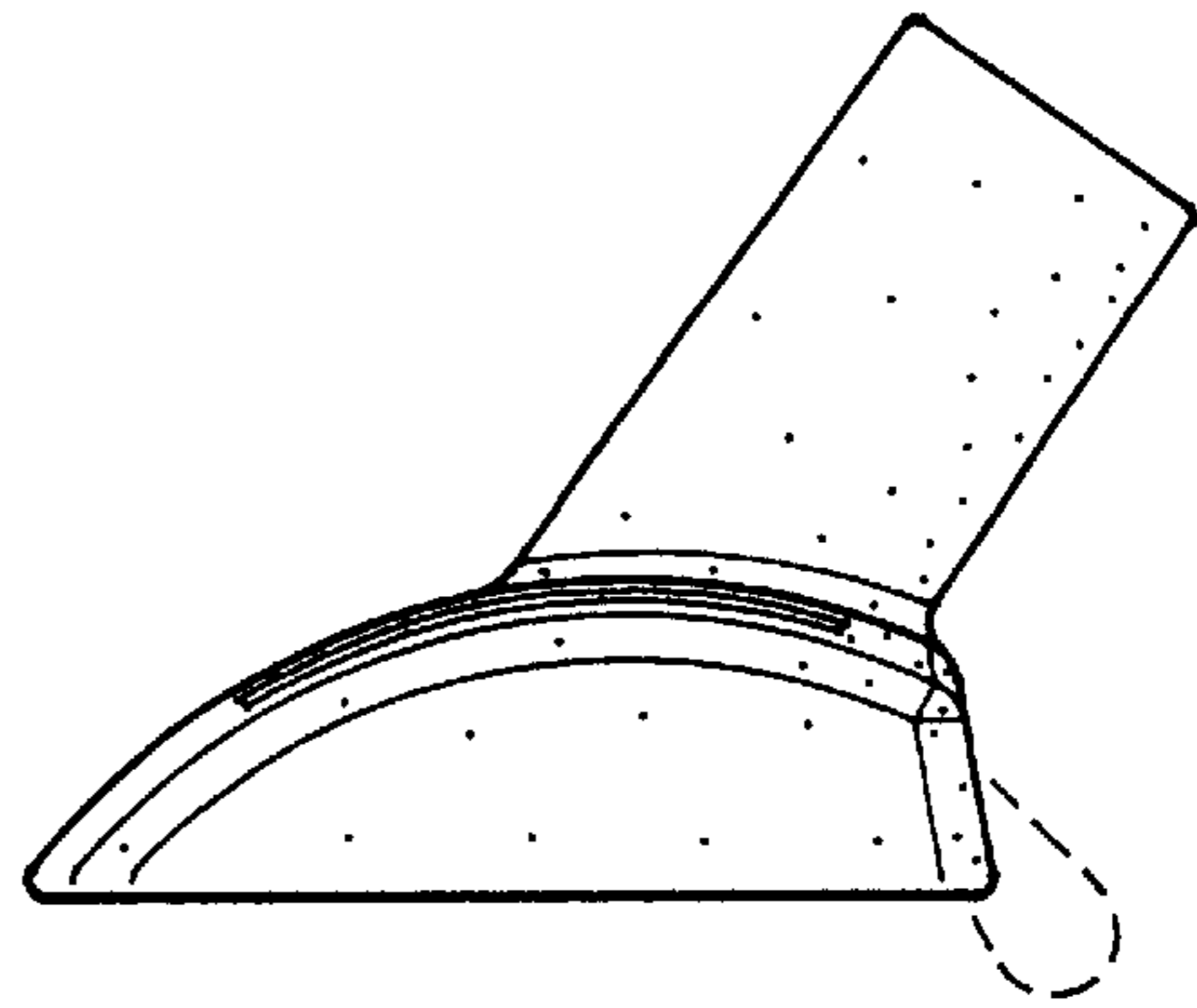


FIG. 6

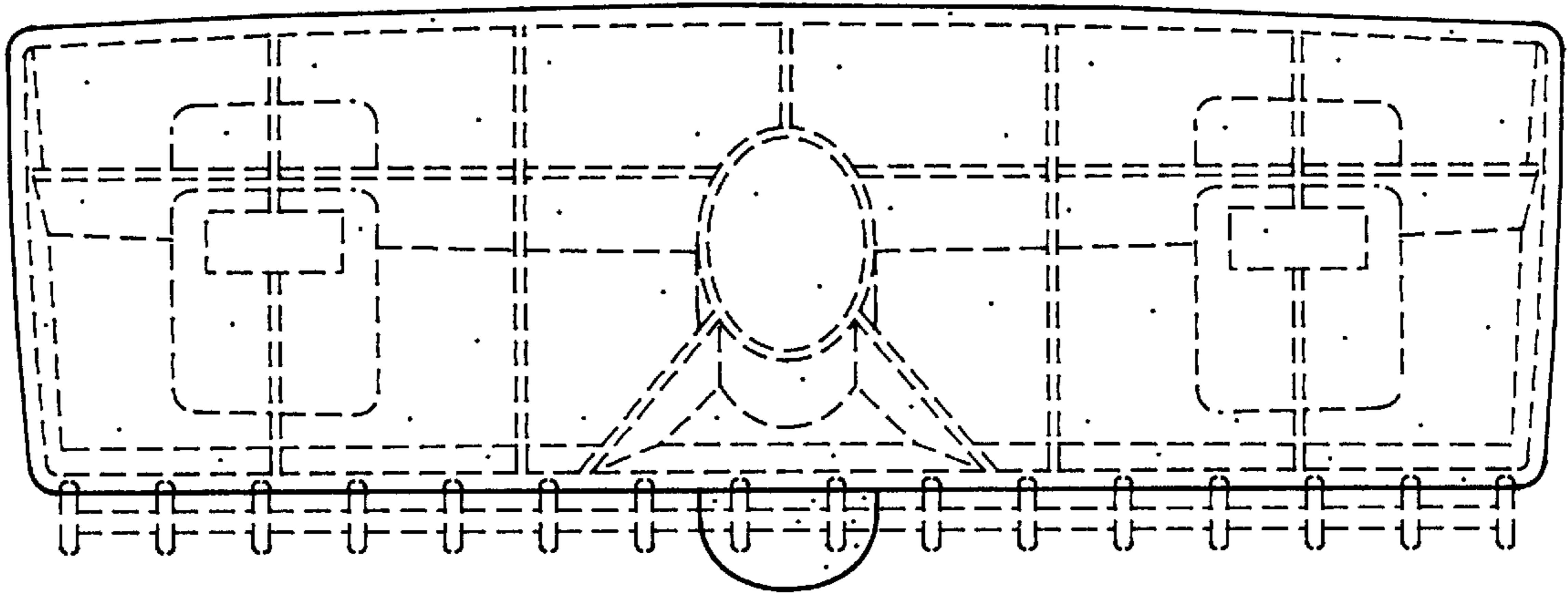


FIG. 7

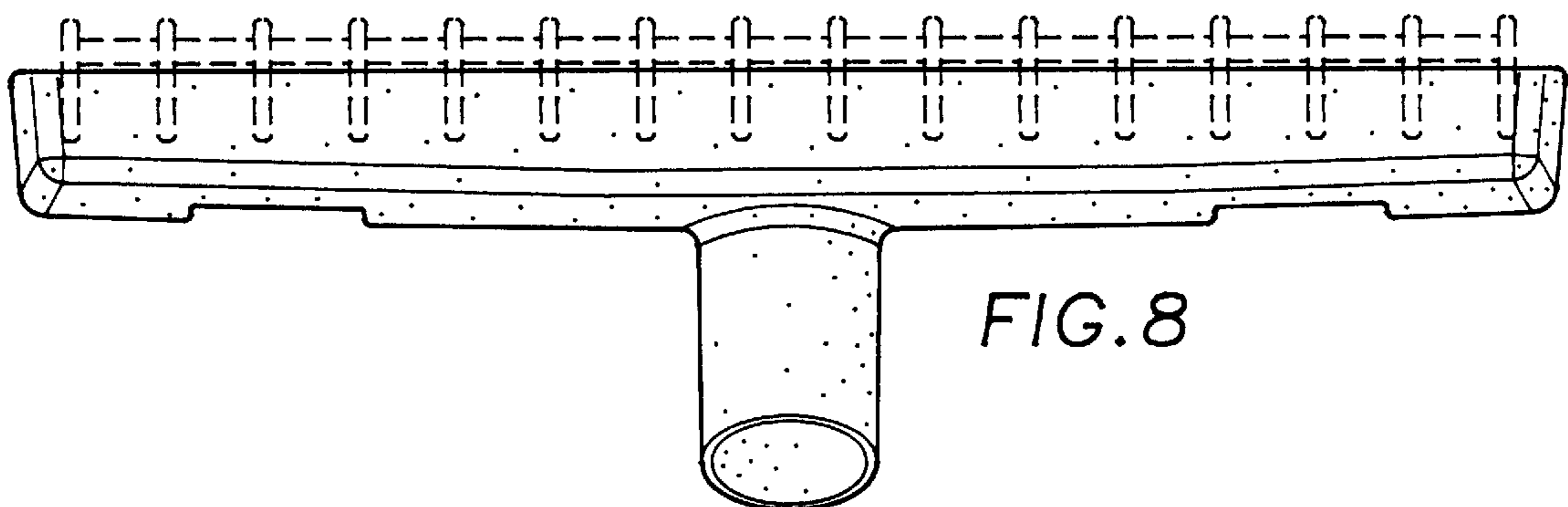


FIG. 8