



US00D446893B1

(12) **United States Design Patent**
Lee

(10) **Patent No.:** **US D446,893 S**

(45) **Date of Patent:** **** Aug. 21, 2001**

(54) **INCLINABLE MOP HEADS MOUNTED ON A VERTICALLY ADJUSTABLE STAND FOR ATTACHMENT TO A TRANSPORT**

(76) Inventor: **Kyu H. Lee**, 1633 W. 134th St., Gardena, CA (US) 90249-2013

(**) Term: **14 Years**

(21) Appl. No.: **29/130,181**

(22) Filed: **Sep. 28, 2000**

(51) **LOC (7) Cl.** **15-05**

(52) **U.S. Cl.** **D32/25; D32/20**

(58) **Field of Search** **D32/20, 15, 25; 15/78, 79.1, 79.2, 82, 83, 87, 98, 300**

(56) **References Cited**

U.S. PATENT DOCUMENTS

- D. 333,712 * 3/1993 Moore D32/20
- D. 394,529 * 5/1998 Glisch D32/25

* cited by examiner

Primary Examiner—Mitchell Siegel
(74) *Attorney, Agent, or Firm*—Willie Krawitz

(57) **CLAIM**

The ornamental design for inclinable mop heads mounted on a vertically adjustable stand for attachment to a transport, as shown and described.

DESCRIPTION

FIG. 1 is a top plan view of inclinable mop heads mounted on a vertically adjustable stand for attachment to a transport, showing my design;

FIG. 2 is a front elevation view thereof;

FIG. 3 is a rear elevation view thereof;

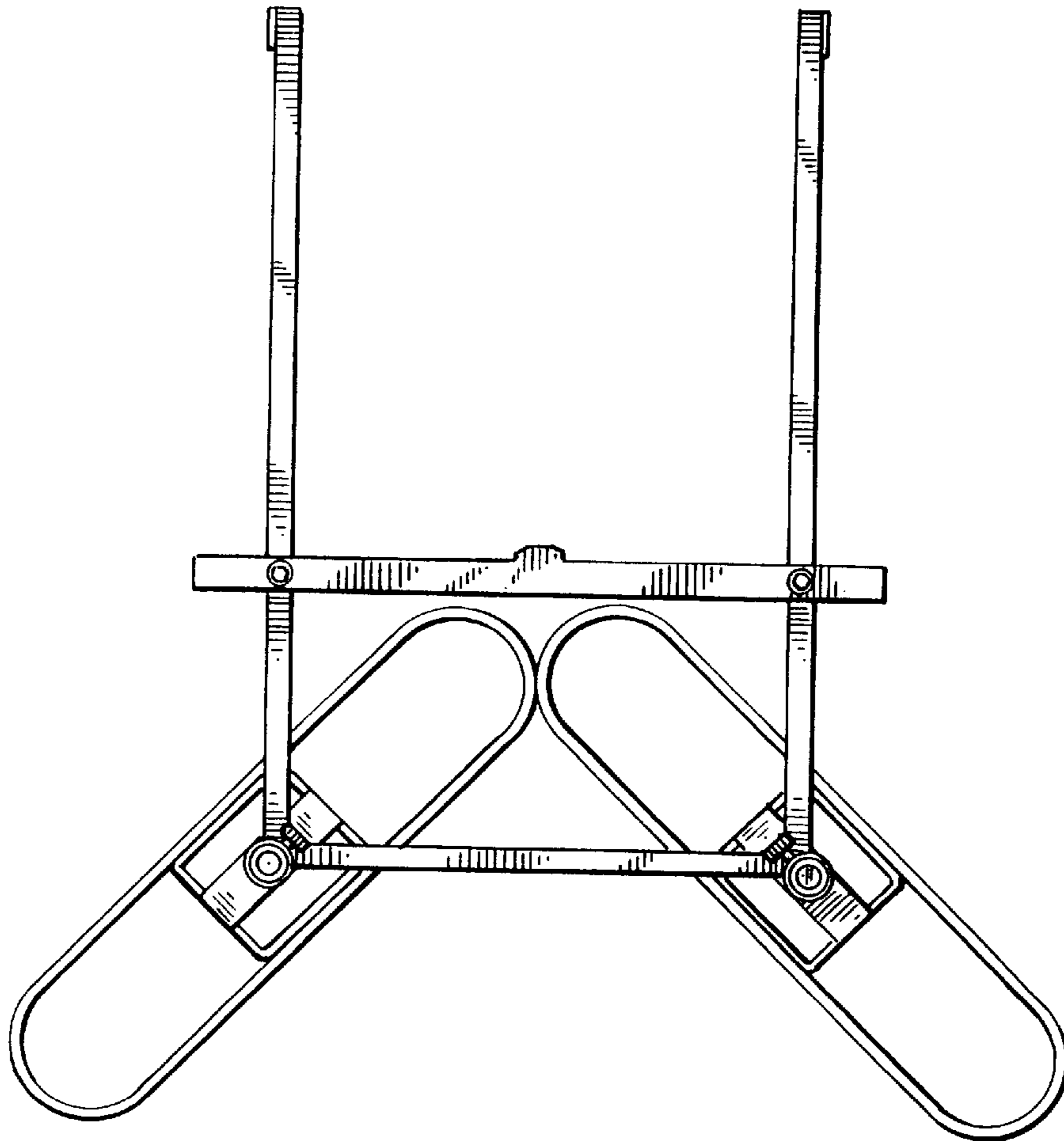
FIG. 4 is a bottom plan view thereof;

FIG. 5 is a right side elevation view thereof;

FIG. 6 is a top plan view of FIG. 1, with mop head attachments thereof; and,

FIG. 7 is a right side elevation view of FIG. 7.

1 Claim, 3 Drawing Sheets



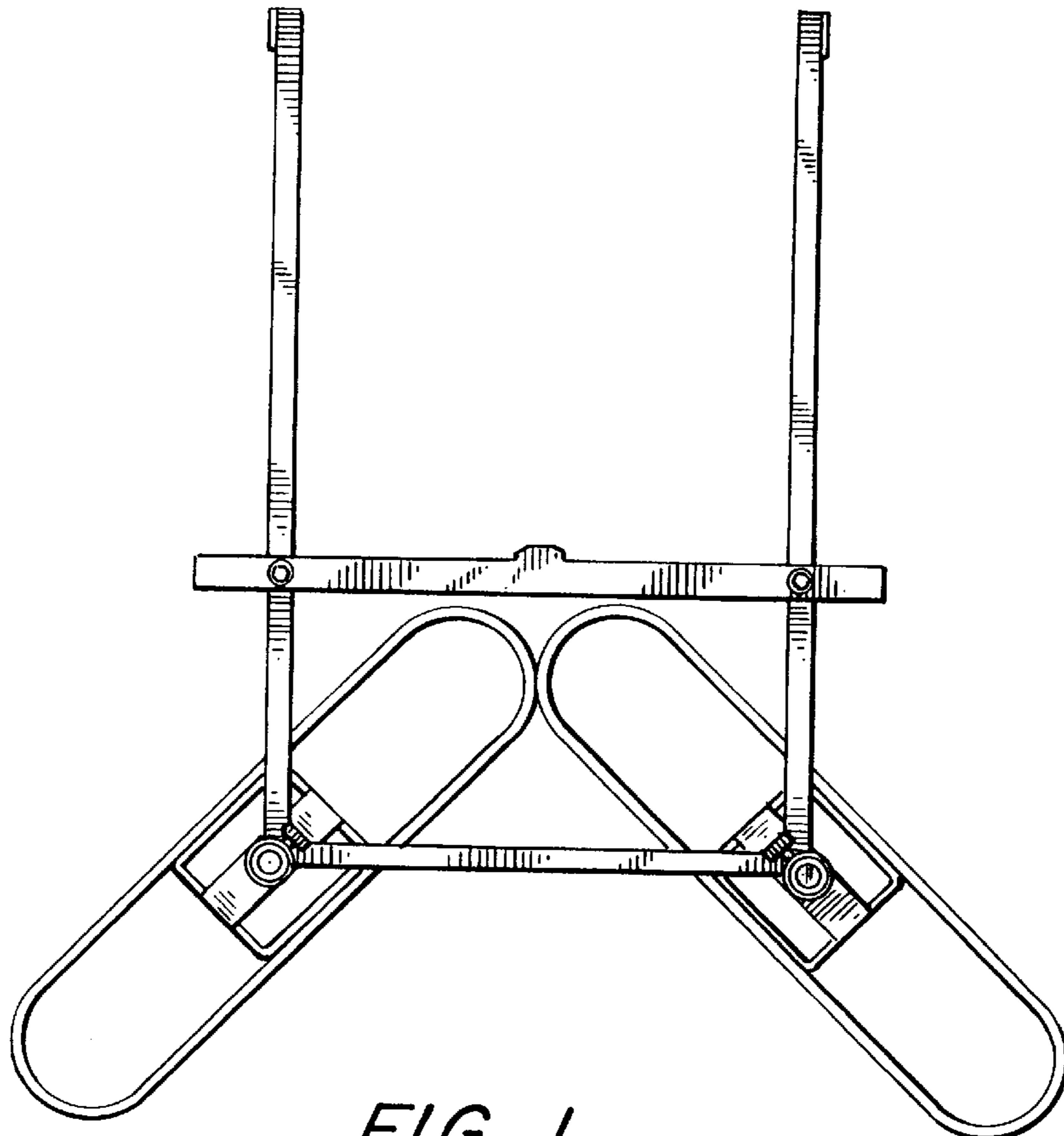


FIG. 1

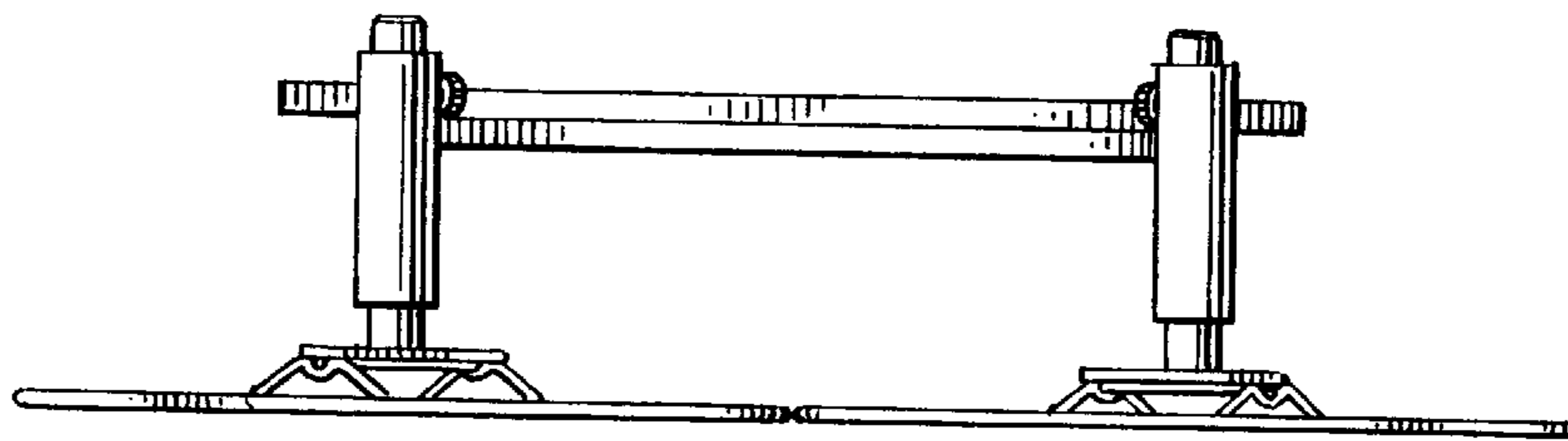


FIG. 2

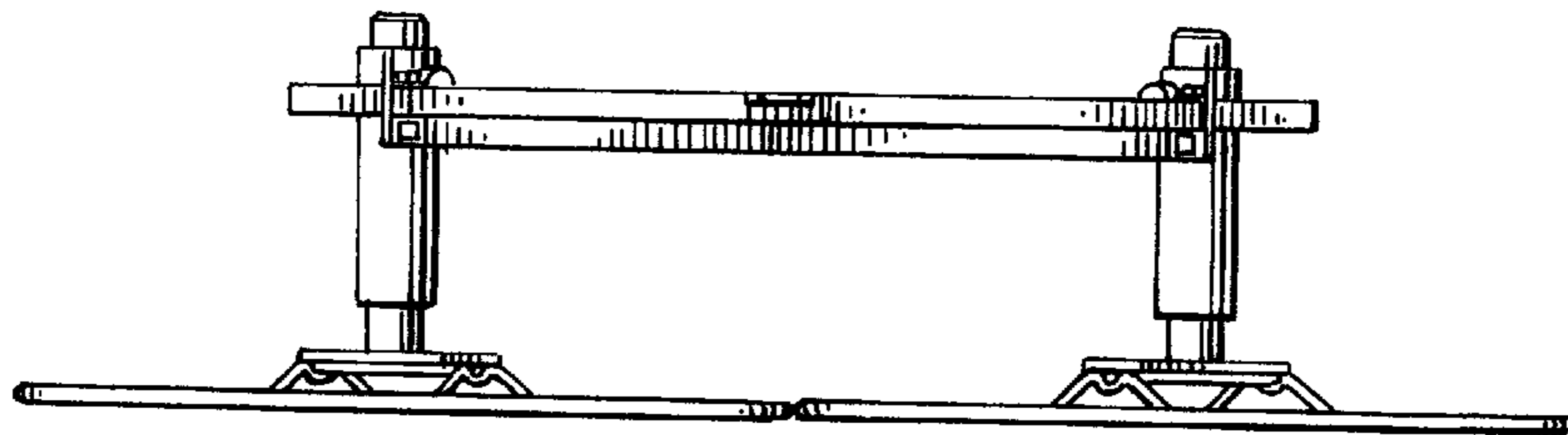


FIG. 3

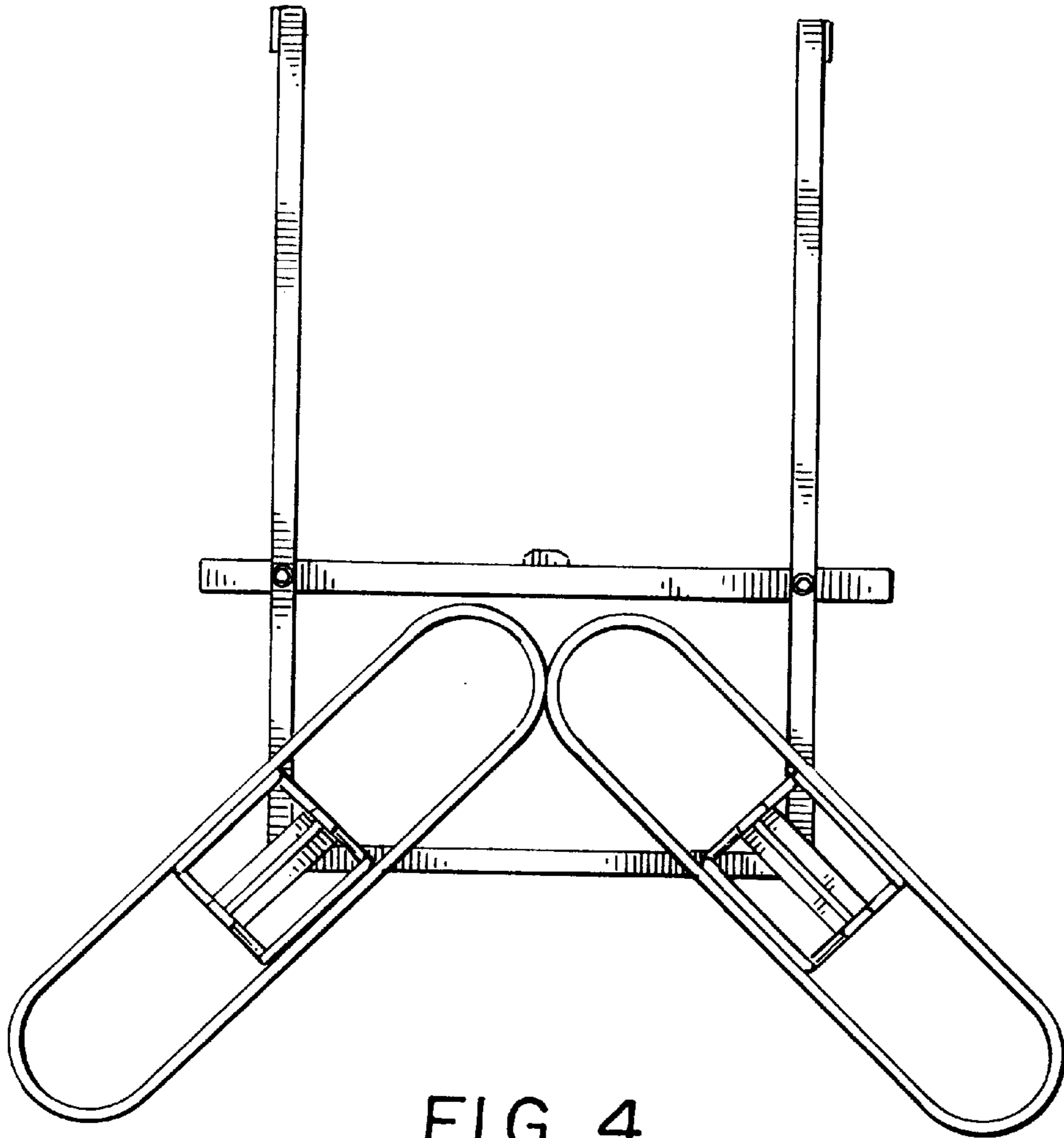


FIG. 4

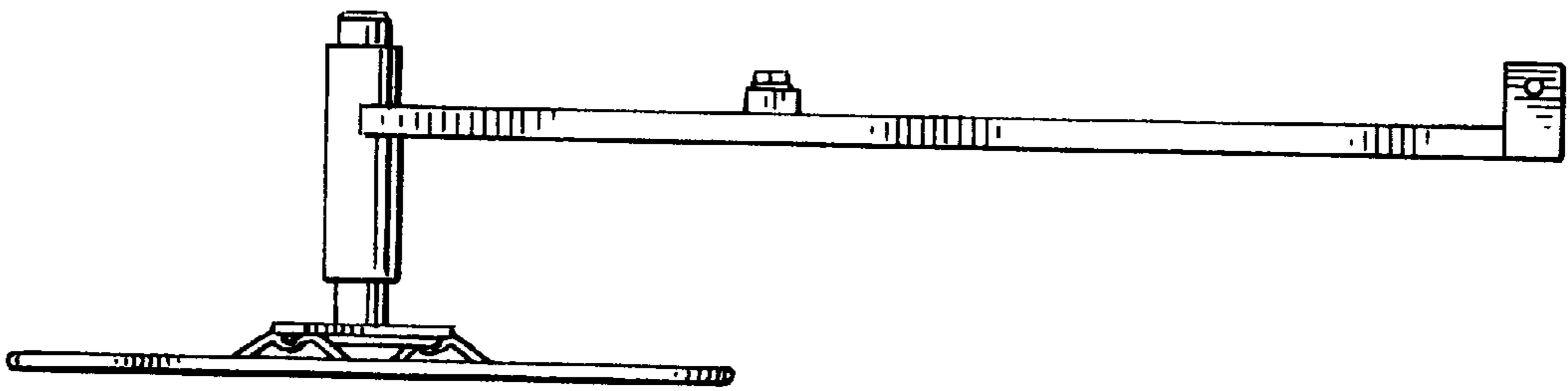


FIG. 5

FIG. 6

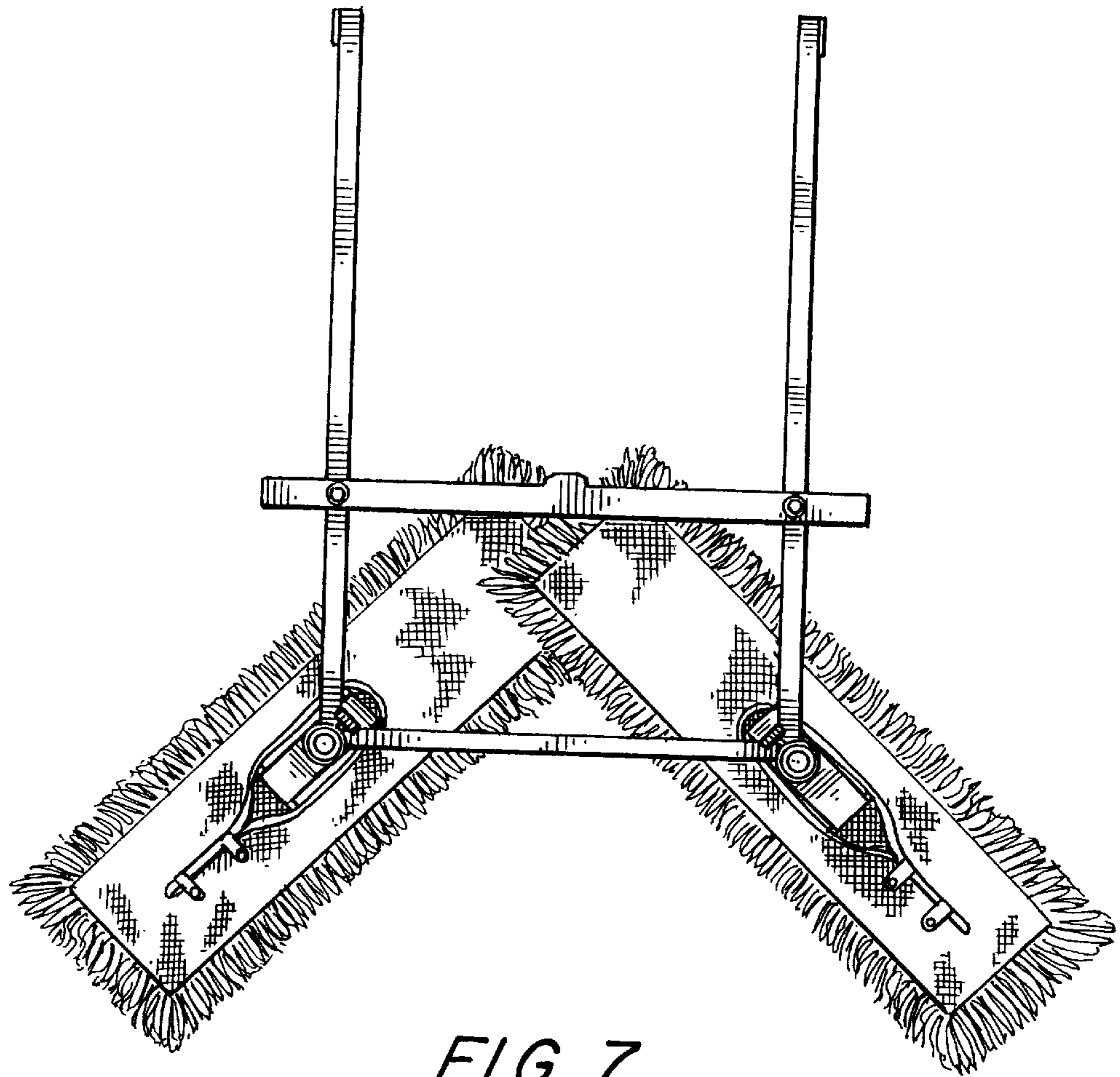


FIG. 7

