



US00D446892B1

(12) **United States Design Patent**
Griffin

(10) **Patent No.: US D446,892 S**

(45) **Date of Patent: ** Aug. 21, 2001**

(54) **VACUUM CLEANER**

(75) **Inventor: John Griffin, Phoenix, AZ (US)**

(73) **Assignee: Shop Vac Corporation, Williamsport, PA (US)**

(**) **Term: 14 Years**

(21) **Appl. No.: 29/128,121**

(22) **Filed: Aug. 18, 2000**

(51) **LOC (7) Cl. 15-05**

(52) **U.S. Cl. D32/23**

(58) **Field of Search D32/21, 23-25, D32/31; 15/323, 325, 327.1, 327.2, 327.6, 327.7, 320, 412**

(56) **References Cited**

U.S. PATENT DOCUMENTS

D. 287,171	12/1986	Berfield et al.	32/25
D. 315,624	3/1991	Kimura et al.	32/23
D. 357,336	4/1995	Moine et al.	32/23
D. 357,773	4/1995	Wareham et al.	32/23
D. 358,010	5/1995	Berfield et al.	32/23
D. 361,179	8/1995	Moine et al.	32/23
D. 362,091	9/1995	Tomasiak et al.	32/23
D. 372,567	8/1996	Moine et al.	32/23
D. 373,862	9/1996	Stephens et al.	32/23
D. 383,575	9/1997	Griffin	32/23
D. 384,448	9/1997	Stephens et al.	32/23
D. 388,565	12/1997	Pietrobon	32/23
D. 389,962	1/1998	Berfield et al.	32/23
D. 395,119	6/1998	Berfield et al.	34/23
D. 422,764 *	4/2000	Wood	D32/31
D. 426,355 *	6/2000	Rohn et al.	D32/21
D. 426,359 *	6/2000	Griffin et al.	D32/31
D. 429,042	8/2000	Griffin et al.	32/23
D. 429,855	8/2000	Griffin	32/23
D. 429,857	8/2000	Griffin	32/23
D. 430,367	8/2000	Griffin	32/23
D. 430,713	9/2000	Griffin	32/23
D. 438,353 *	2/2001	Hoshino et al.	D32/23
D. 438,678 *	3/2001	Griffin	D32/21
D. 439,710 *	3/2001	Griffin	D32/31

2,920,337	1/1960	Smith	417/423.3
4,797,072	1/1989	Berfield et al.	417/423.3
4,836,753	6/1989	Berfield et al.	417/236
4,880,364	11/1989	Berfield	417/423.3
5,144,716	9/1992	Watanabe et al.	15/323
5,528,794 *	6/1996	Tomasiak	15/323
5,535,500 *	7/1996	Stephens et al.	29/453
5,606,769	3/1997	Tomasiak et al.	15/327.6
5,954,863 *	9/1999	Loveless et al.	96/321
6,055,700 *	5/2000	Holsten et al.	15/327.2

OTHER PUBLICATIONS

- U.S. application No. 29/097,455, Griffin, filed Dec. 7, 1998.
- U.S. application No. 29/097,456, Griffin, filed Dec. 7, 1998.
- U.S. application No. 29/115,795, Griffin, filed Dec. 20, 1999.
- U.S. application No. 29/115,796, Griffin, filed Dec. 20, 1999.
- U.S. application No. 29/115,798, Griffin, filed Dec. 20, 1999.
- U.S. application No. 29/115,841, Griffin, filed Dec. 20, 1999.
- U.S. application No. 29/125,068, Griffin, filed Jun. 15, 2000.
- U.S. application No. 29/125,069, Griffin, filed Jun. 15, 2000.

(List continued on next page.)

Primary Examiner—Ruth McInroy

(74) *Attorney, Agent, or Firm*—Marshall, O’Toole, Gerstein, Murray & Borun

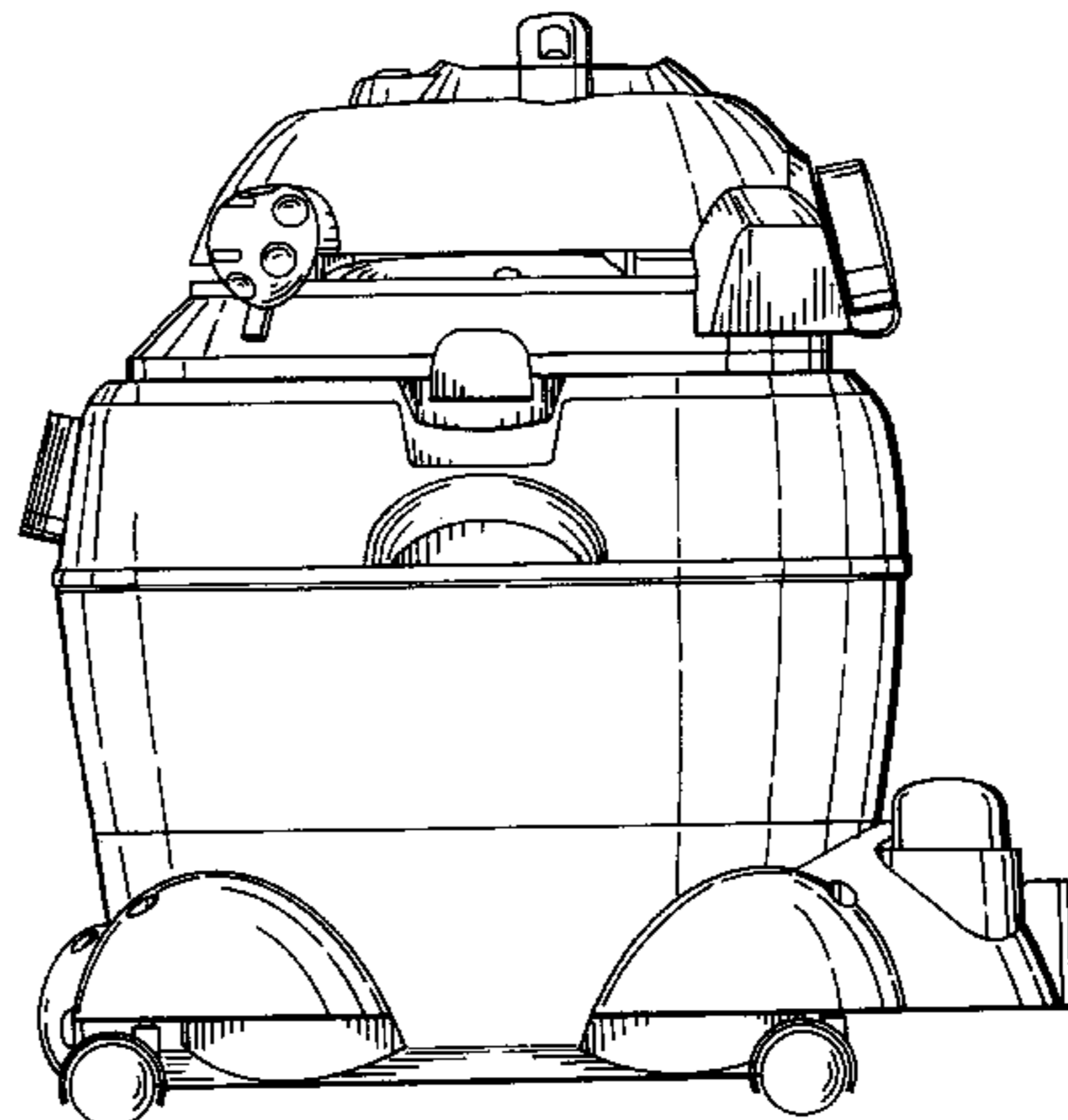
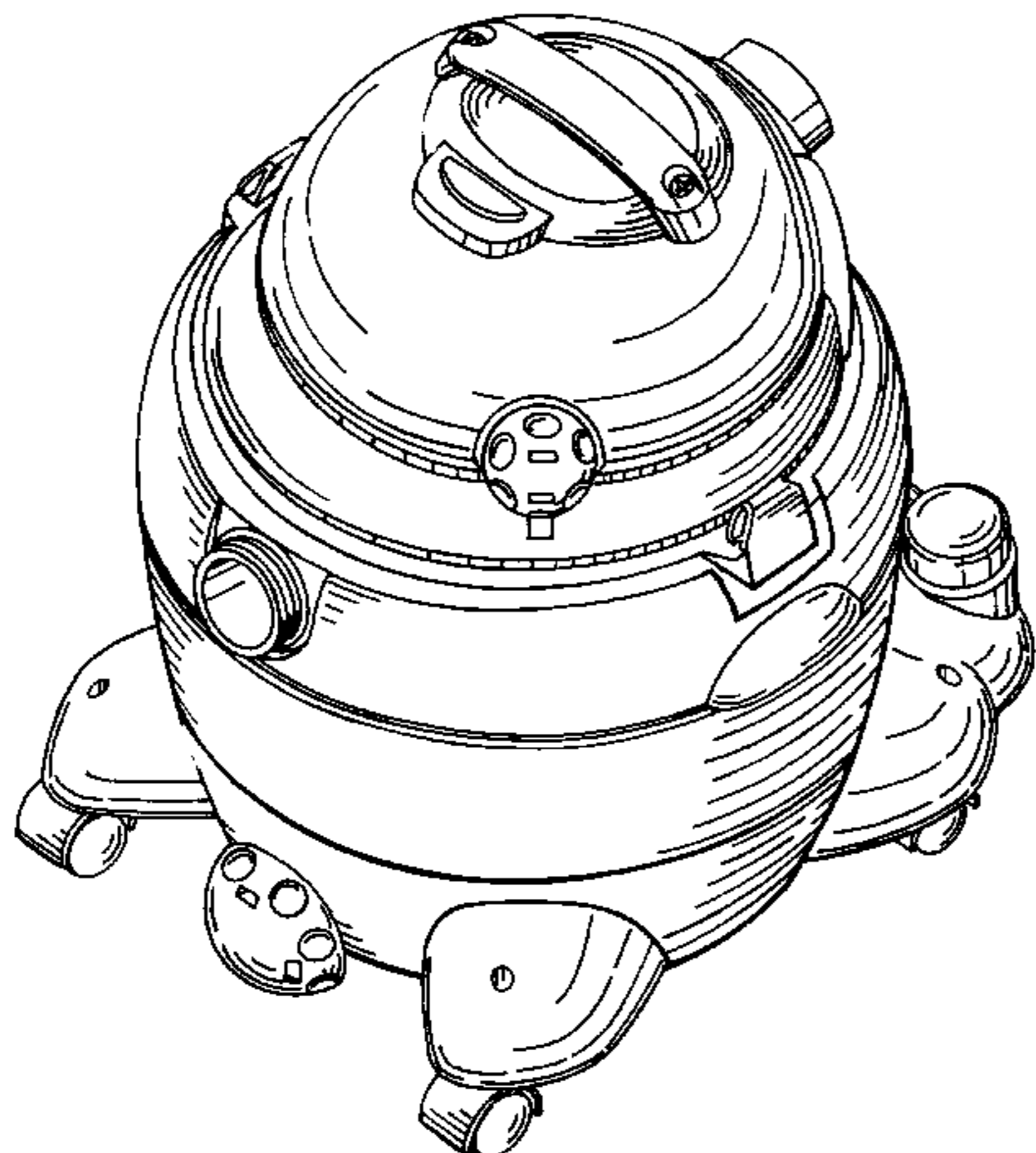
(57) **CLAIM**

The ornamental design for a vacuum cleaner, as shown and described.

DESCRIPTION

FIG. 1 is a right side perspective view taken from the front and above of a vacuum cleaner showing my new design;
 FIG. 2 is a top plan view thereof;
 FIG. 3 is a left elevational view thereof;
 FIG. 4 is a right elevational view thereof;
 FIG. 5 is a rear elevational view thereof; and,
 FIG. 6 is front elevational view thereof.

1 Claim, 6 Drawing Sheets



OTHER PUBLICATIONS

U.S. application No. 29/125,071, Griffin, filed Jun. 15, 2000.

U.S. application No. 29/125,072, Griffin, filed Jun. 15, 2000.

U.S. application No. 29/128,617, Griffin, filed Aug. 28, 2000.

Shop-Vac Brochure, QSP Series, Quiet Super Power Wet/Dry Vacs, Model Nos. 900-80 thru 900-84, dated Aug. 1993.

Shop-Vac Brochure, 707 Series Super Performance Wet/Dry Vacs, Model No. 707-10, dated Mar. 1991.

Shop-Vac Brochure, QSP Series—Quiet Super Performance Wet/Dry Vacs, Models 900-86 and 900-87, dated Aug. 1993.

Shop-Vac Brochure, QSP Series—Quiet Super Power Wet/Dry Vacs, Model No. 900-29, dated Aug. 1993.

Shop-Vac Brochure, Series 914—Quiet Super Performance Wet/Dry Vacs, Model Nos. 914-15 and 914-27, dated Apr. 1997.

Shop-Vac Brochure, Floormaster, Wet & Dry Cleaning System, Model No. 909-50, dated Jan. 1989.

Shop-Vac Brochure, The QSP Line of Wet/Dry Vacs from Shop Vac, dated 1994.

Shop-Vac Brochure, All Around Vac, dated 1997.

Shop-Vac Brochure, QSP PRO, dated 1998.

Shop-Vac Brochure, QPV, dated 1997.

Shop-Vac Brochure, 1X1 Wet/Dry Vac, dated 1997.

Karcher Catalogue dated 1999.

* cited by examiner

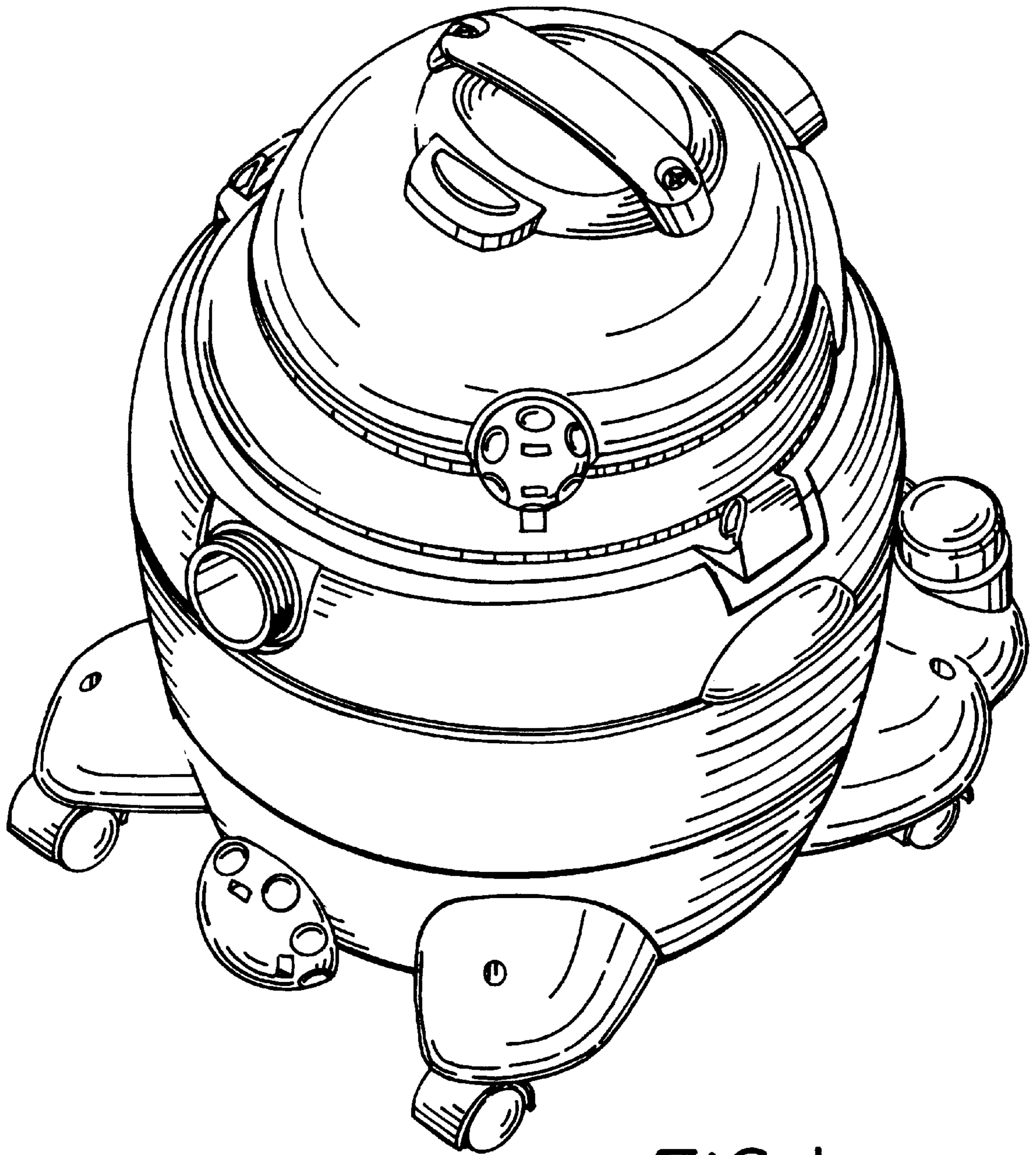


FIG. 1

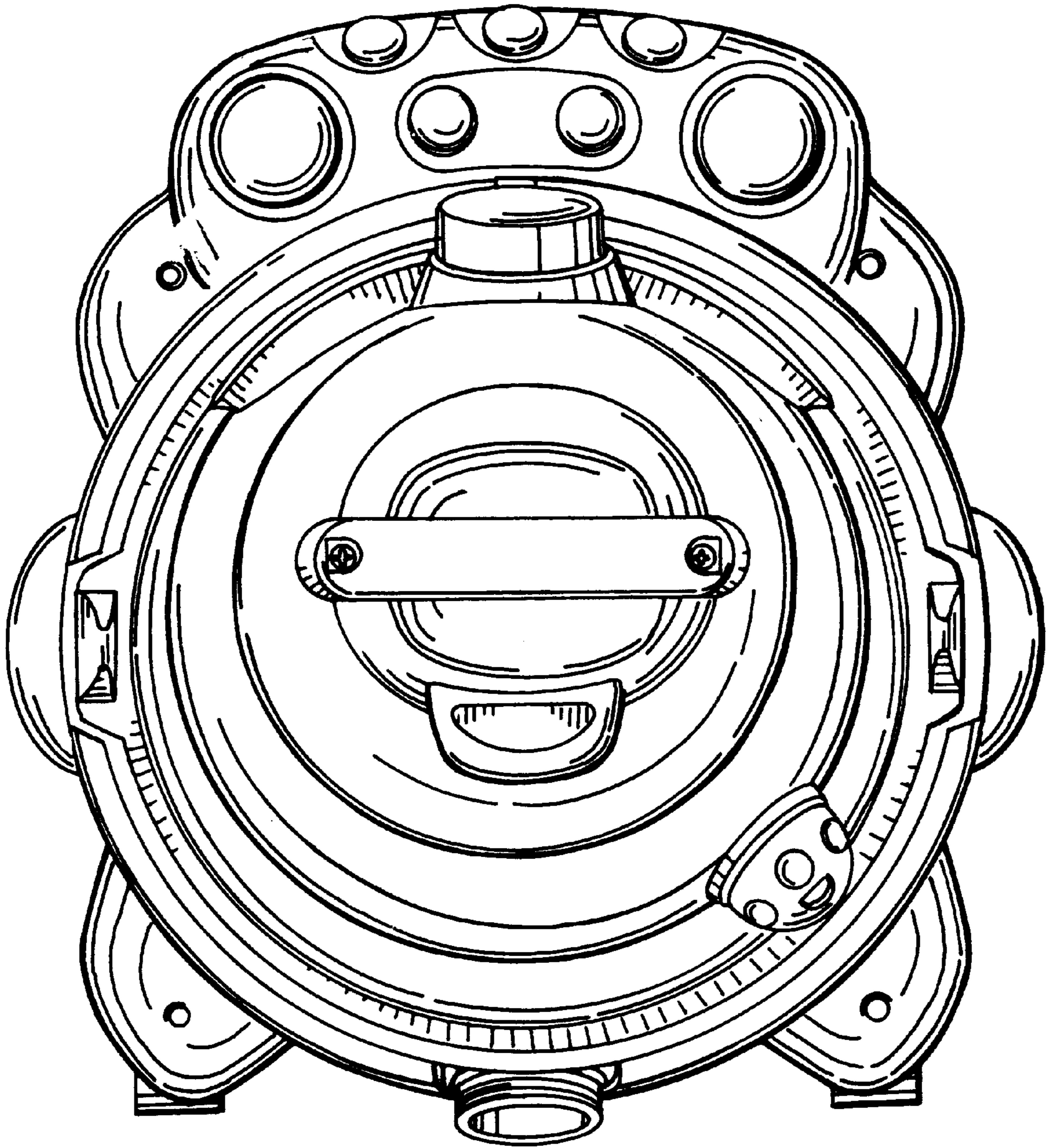


FIG.2

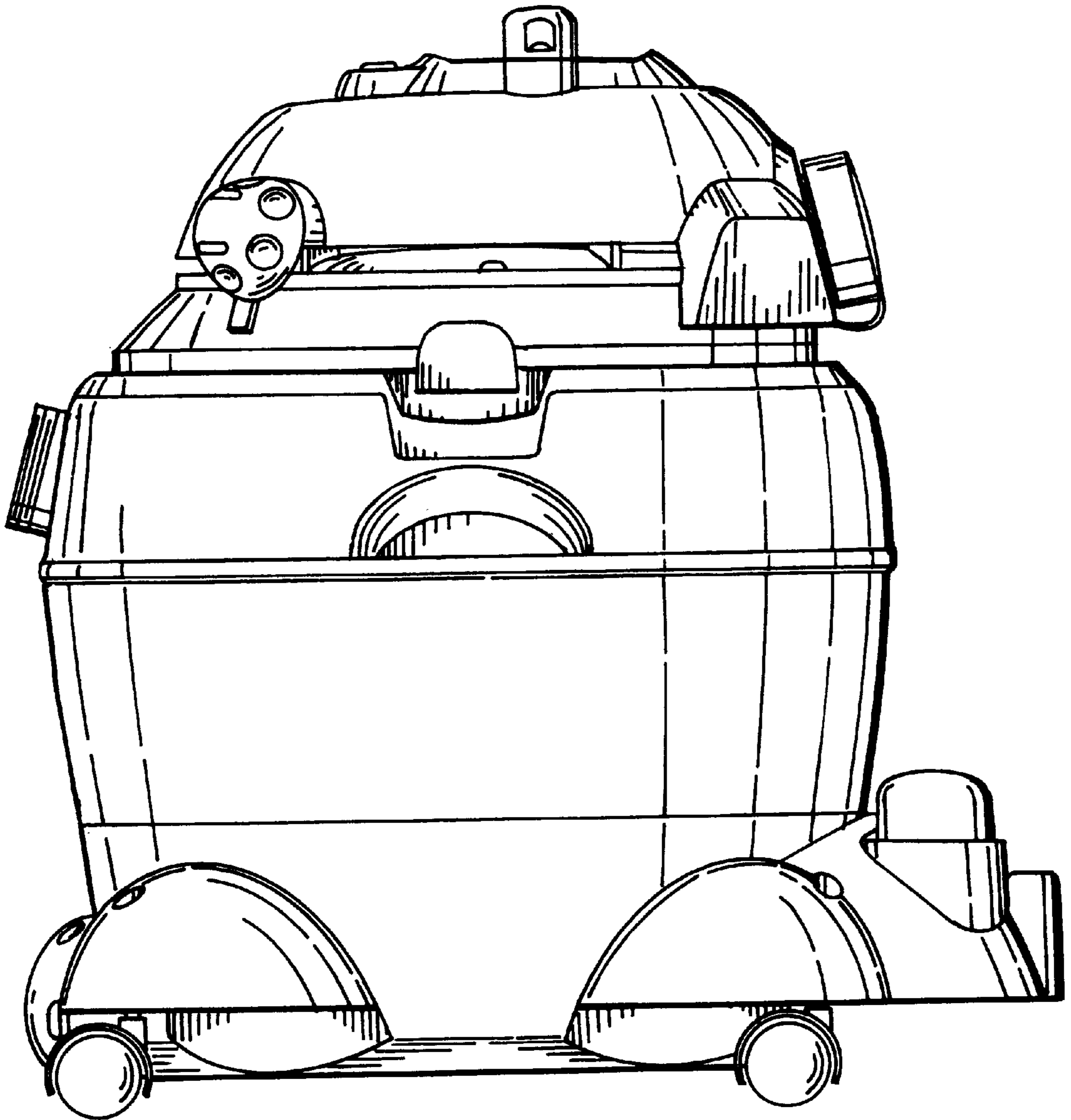


FIG. 3

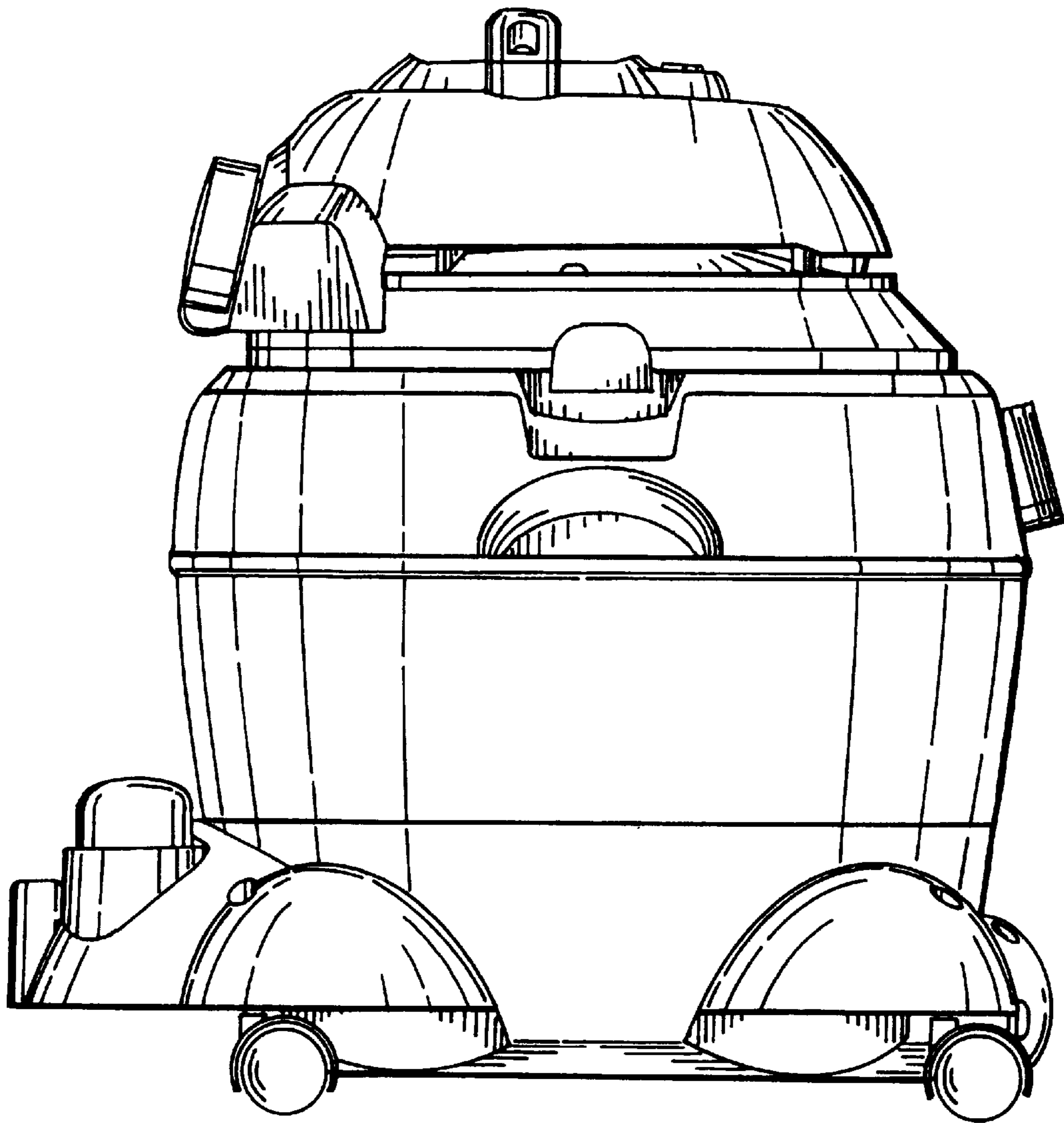


FIG.4

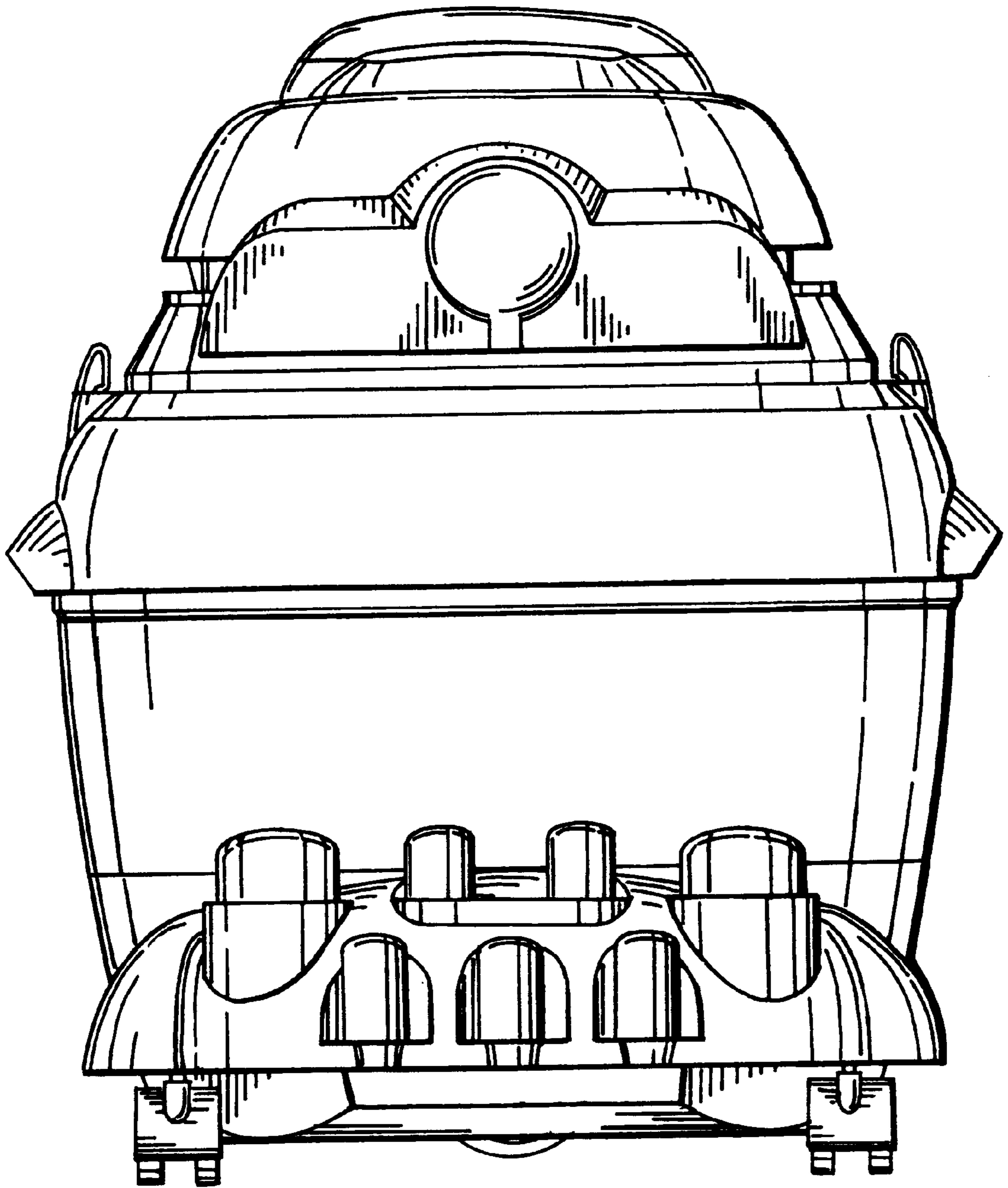


FIG. 5

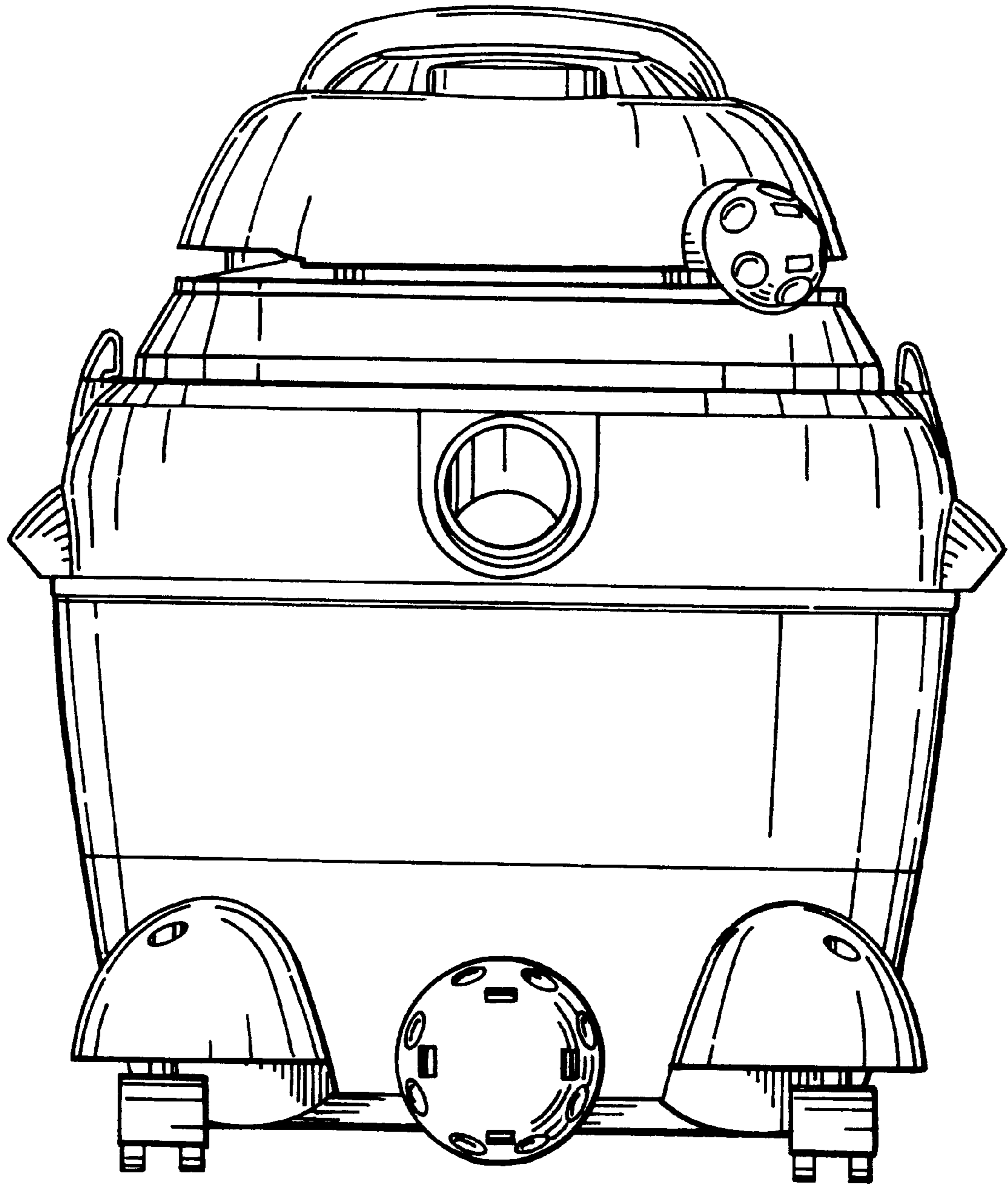


FIG. 6