



US00D446887B1

(12) **United States Design Patent**
Young

(10) **Patent No.:** **US D446,887 S**

(45) **Date of Patent:** **** Aug. 21, 2001**

(54) **WELDING MASK**

(75) Inventor: **Huh Moon Young**, Seoul (KR)

(73) Assignee: **OTOS Optical Co., Ltd.** (KR)

(**) Term: **14 Years**

(21) Appl. No.: **29/111,362**

(22) Filed: **Sep. 24, 1999**

(51) **LOC (7) Cl.** **09-02**

(52) **U.S. Cl.** **D29/107**

(58) **Field of Search** D29/102-112,
D29/122; 2/8, 9, 10, 11, 410, 417, 418,
423-424; 219/147

(56) **References Cited**

U.S. PATENT DOCUMENTS

- D. 310,276 * 8/1990 Fuerthbauer et al. D29/110
- D. 310,432 * 9/1990 Boochard D29/110
- D. 365,666 * 12/1995 Gump D29/110
- D. 393,933 * 4/1998 Huh D29/110

D. 394,732 * 5/1998 Huh D29/110

D. 398,421 * 9/1998 Crafoord et al. D29/110

D. 419,727 * 1/2000 Verkic et al. D29/110

* cited by examiner

Primary Examiner—Ruth McInroy

(74) *Attorney, Agent, or Firm*—Duft, Graziano & Forest, P.C.

(57) **CLAIM**

The design for a welding mask, as shown and described.

DESCRIPTION

FIG. 1 is a perspective view of a welding mask showing my new design

FIG. 2 is a front elevational view;

FIG. 3 is a rear elevational view;

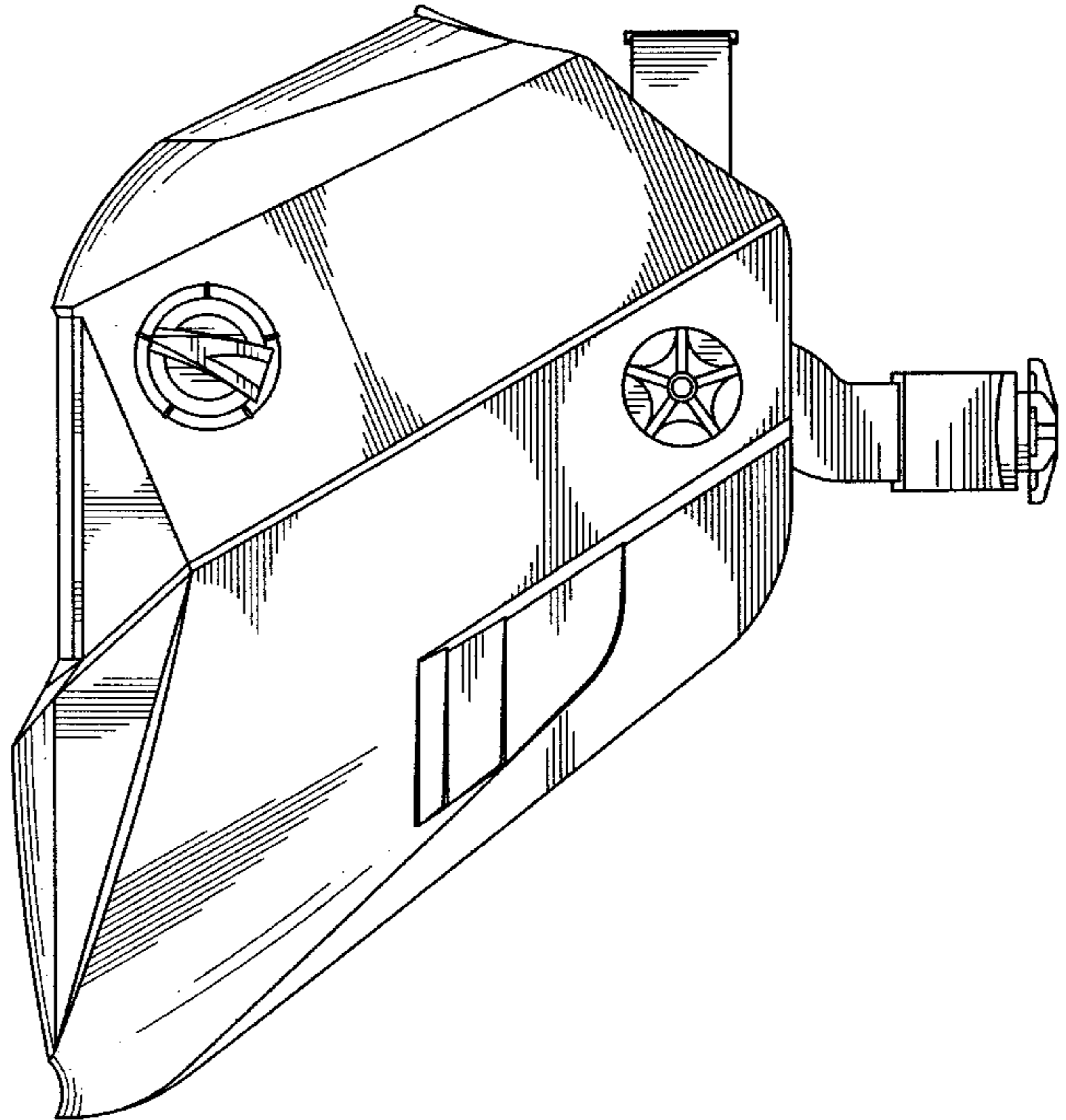
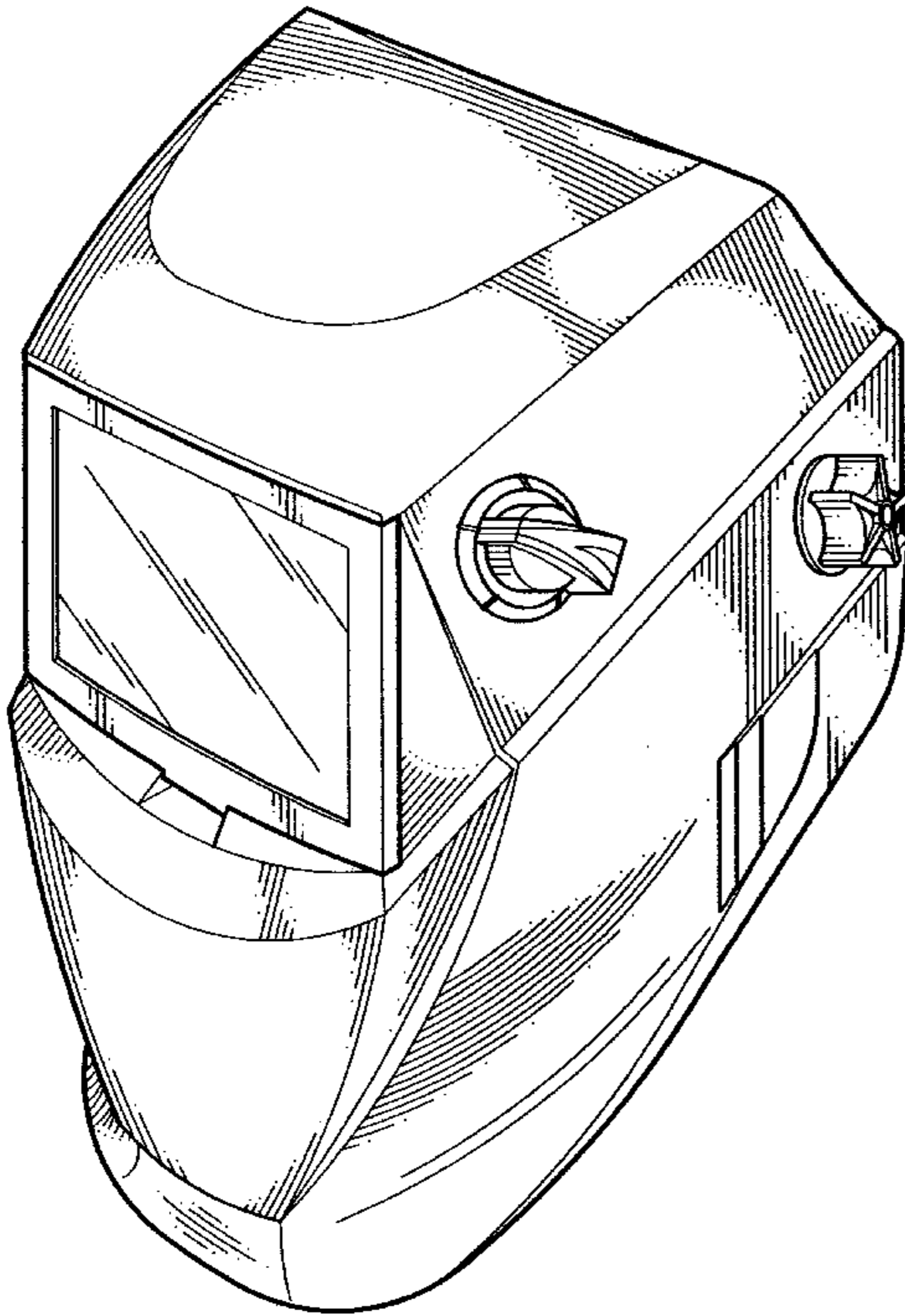
FIG. 4 is a left side elevational view;

FIG. 5 is a right side elevational view;

FIG. 6 is a top plan view; and,

FIG. 7 is a bottom plan view.

1 Claim, 7 Drawing Sheets



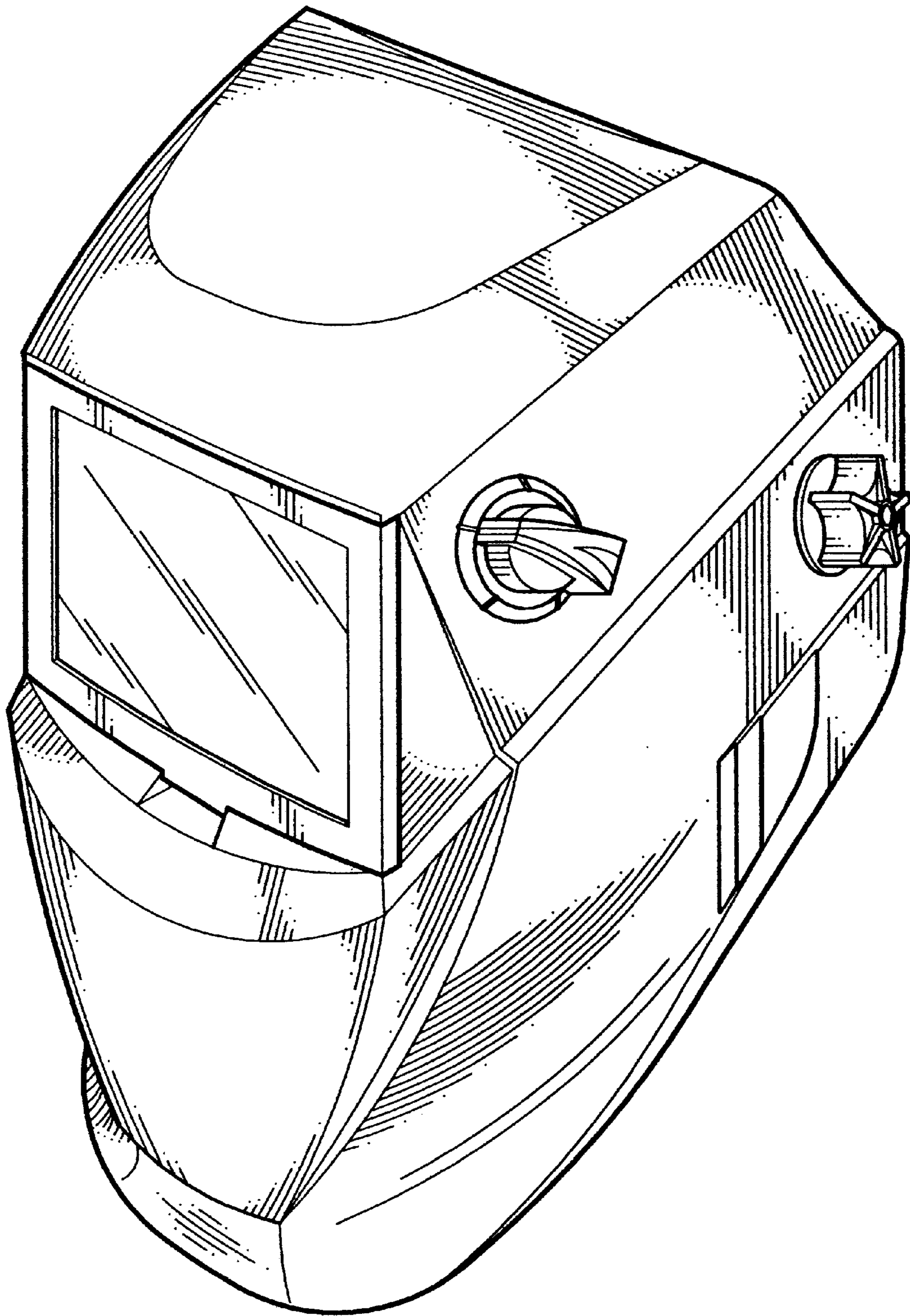


FIG. 1

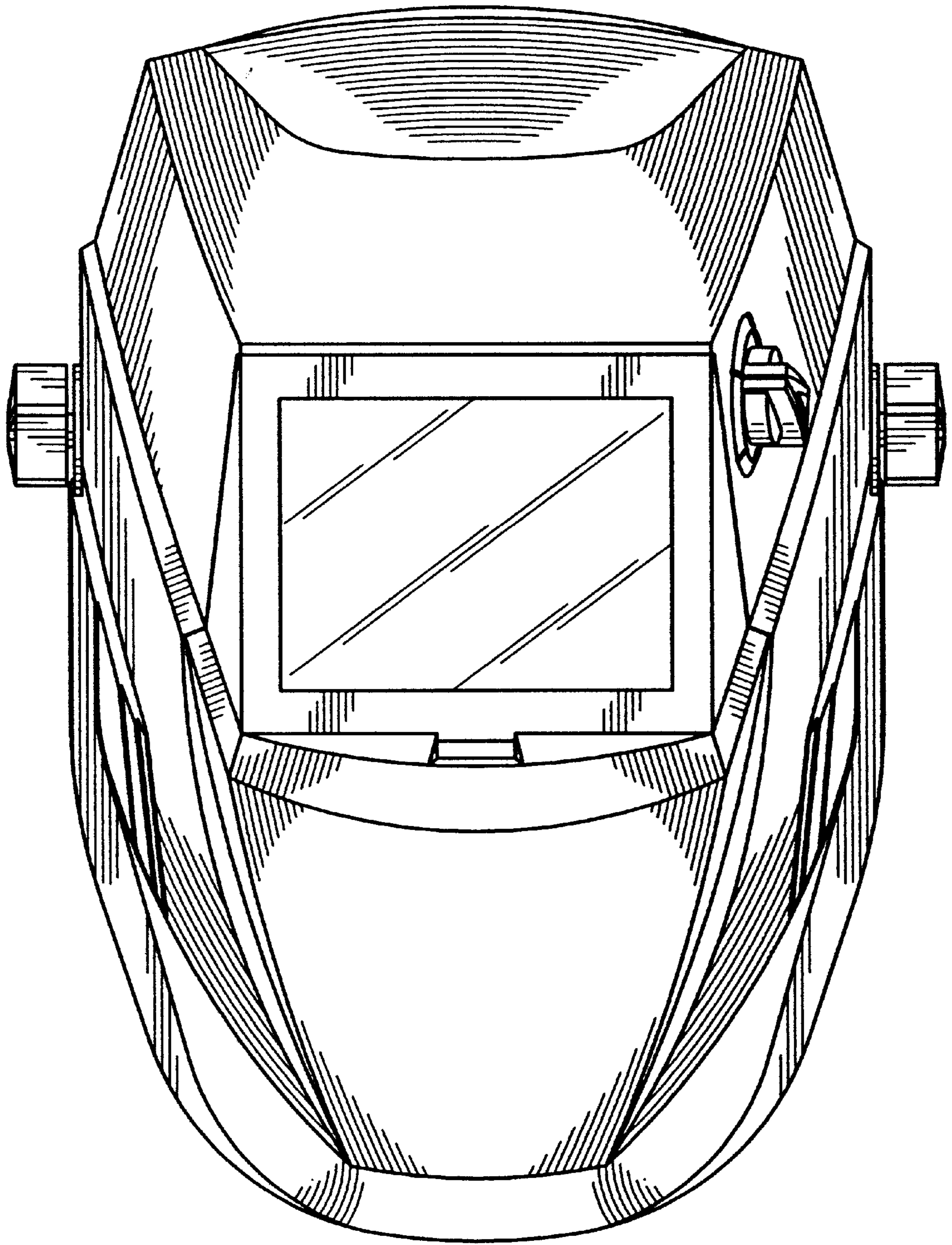


FIG.2

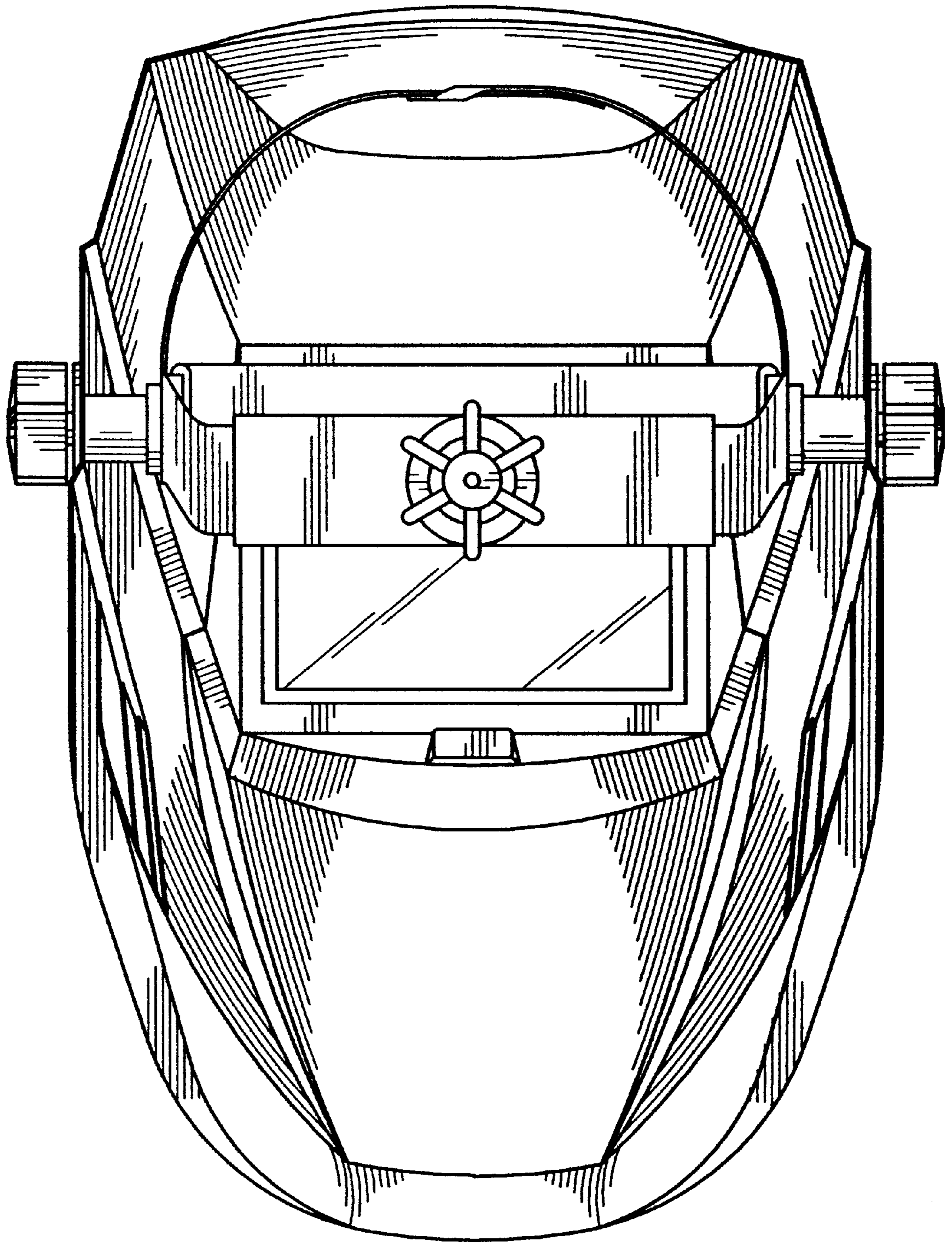


FIG. 3

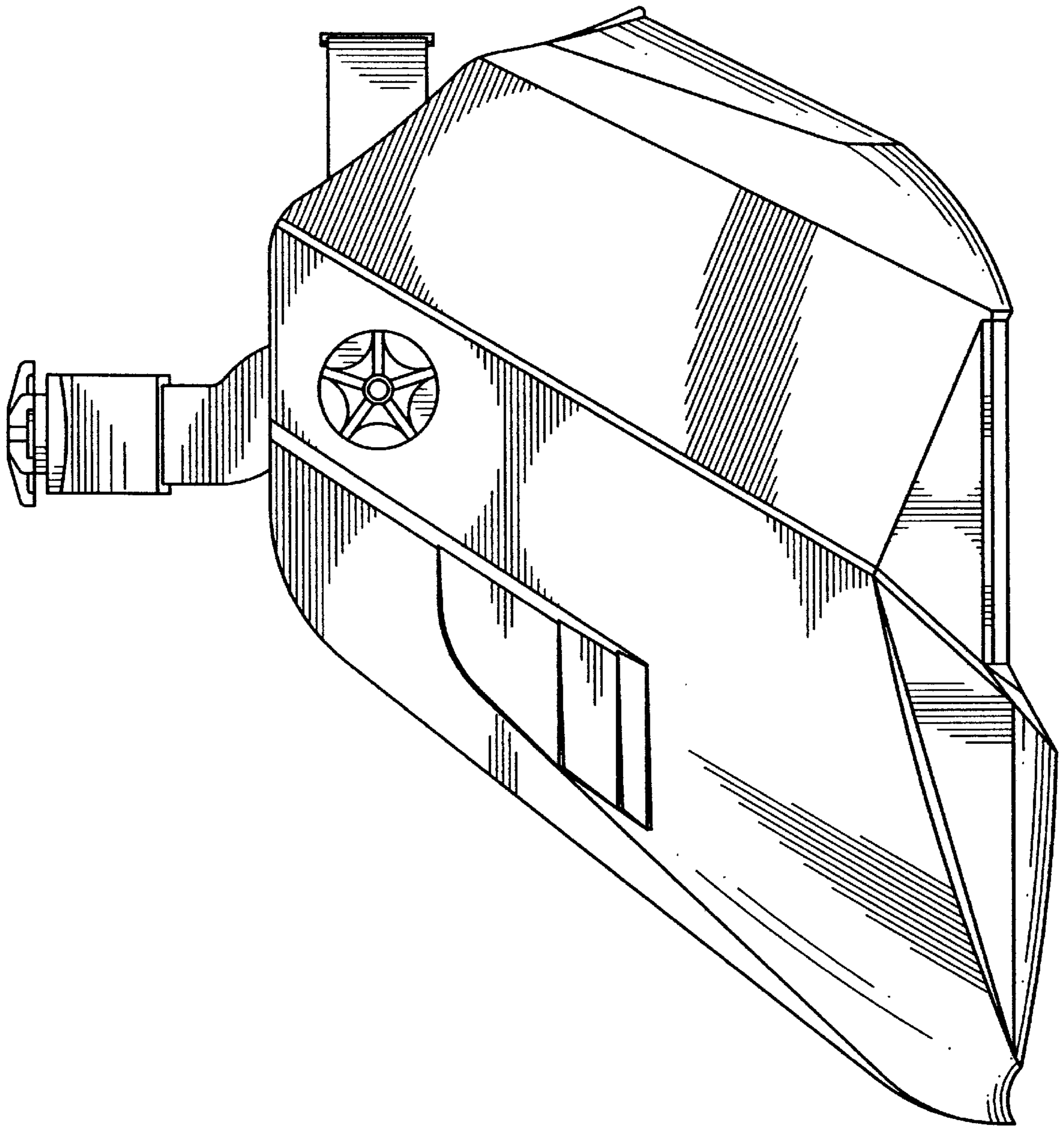


FIG. 4

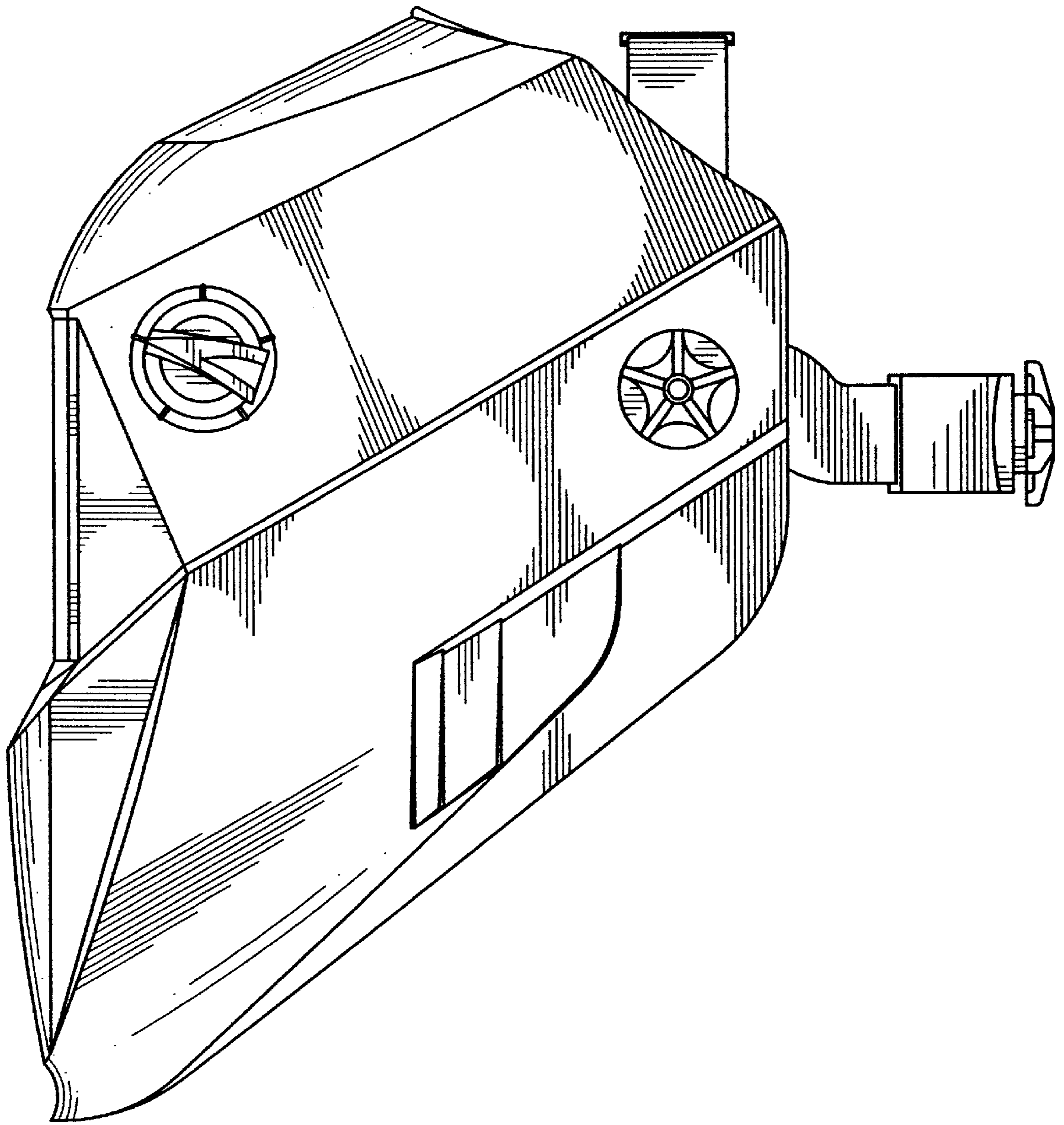


FIG.5

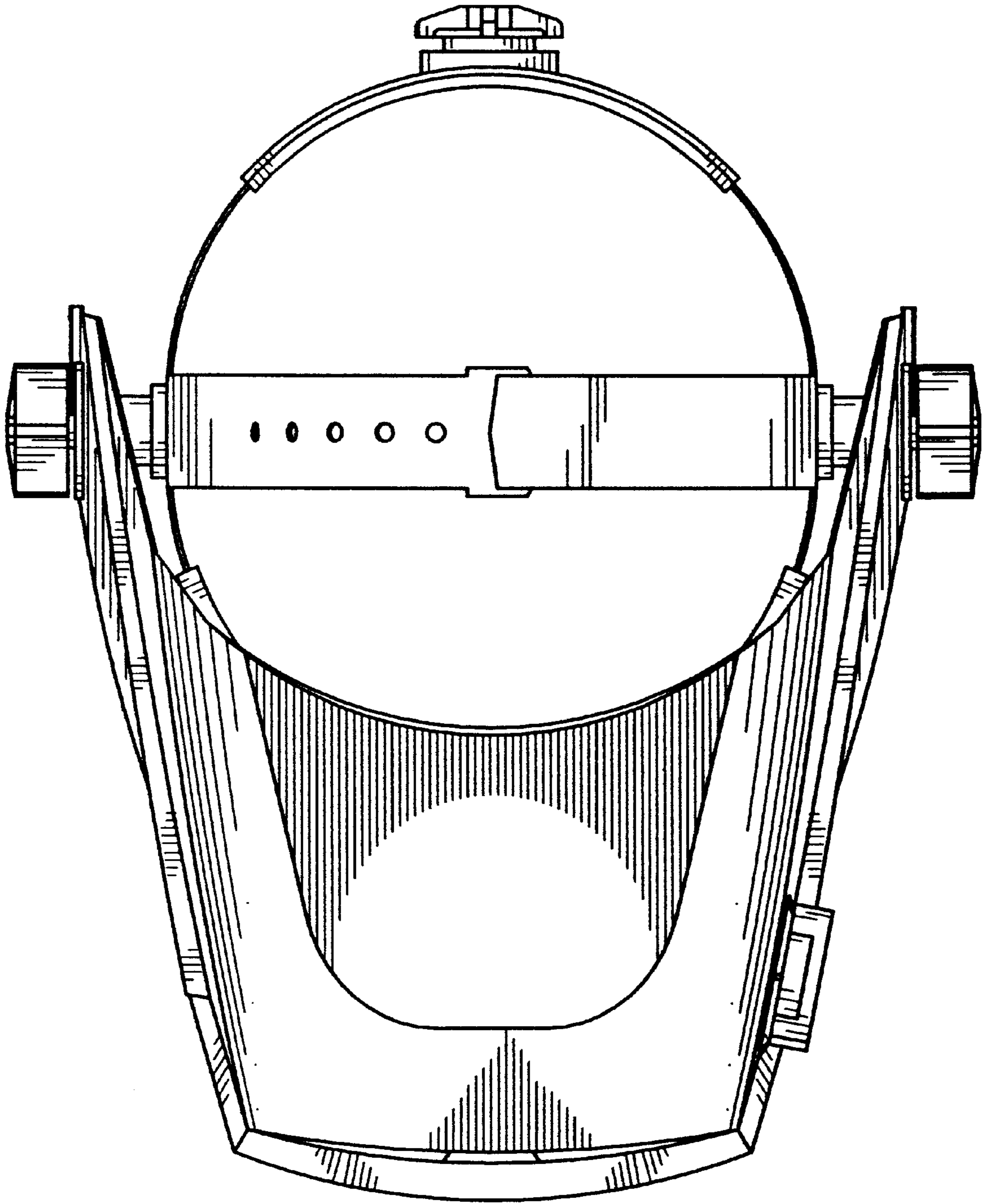


FIG. 6

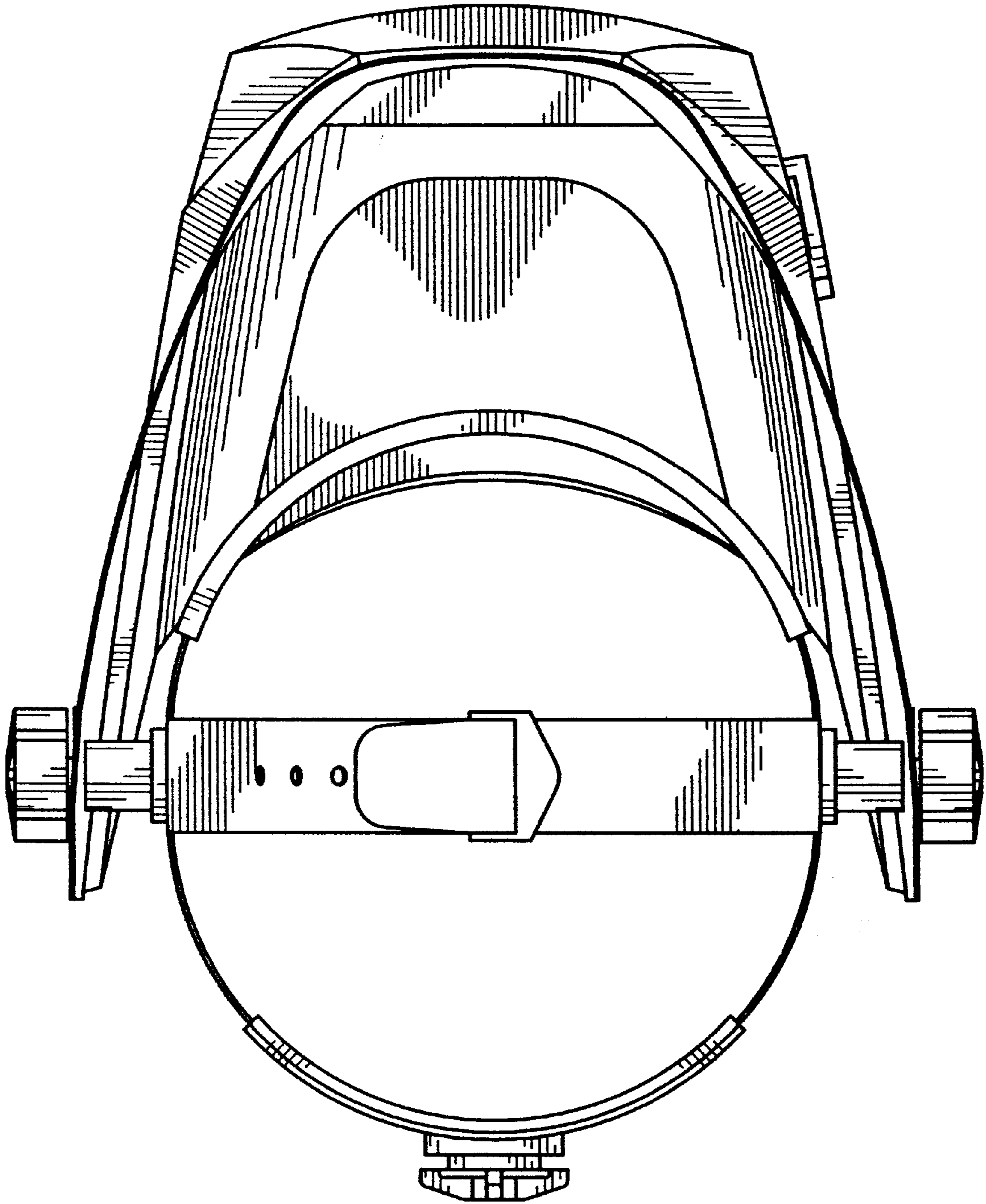


FIG. 7