



US00D446886B1

(12) **United States Design Patent**
Park

(10) **Patent No.:** **US D446,886 S**

(45) **Date of Patent:** **** Aug. 21, 2001**

(54) **FIXING PANEL OF NAIL CLIPPER**

5,537,747 * 7/1996 Cacciotti et al. 30/28
5,983,498 * 11/1999 Lieberman et al. 30/28

(76) Inventor: **Kyunghan Park**, #21-52, Yokchon-1
dong, Eunpyoung-ku, Seoul (KR)

* cited by examiner

(**) Term: **14 Years**

Primary Examiner—Philip S. Hyder
Assistant Examiner—C. Tuttle

(21) Appl. No.: **29/120,151**

(57) **CLAIM**

(22) Filed: **Mar. 16, 2000**

The ornamental design for a fixing panel of nail clipper, as shown and described.

(30) **Foreign Application Priority Data**

Sep. 16, 1999 (KR) 1999-22262

DESCRIPTION

(51) **LOC (7) Cl.** **28-03**

FIG. 1 is a perspective view of a fixing panel of nail clipper; FIG. 2 is a front view thereof; the rear view being a mirror image thereof;

(52) **U.S. Cl.** **D28/62; D28/60**

FIG. 3 is a left side view thereof;

(58) **Field of Search** **D28/56, 57, 60,**

FIG. 4 is a right side view thereof;

D28/62; 30/26–28; 132/73, 75, 75.3, 75.4,

FIG. 5 is a top view thereof;

75.5, 75.6

FIG. 6 is a bottom view thereof; and,

(56) **References Cited**

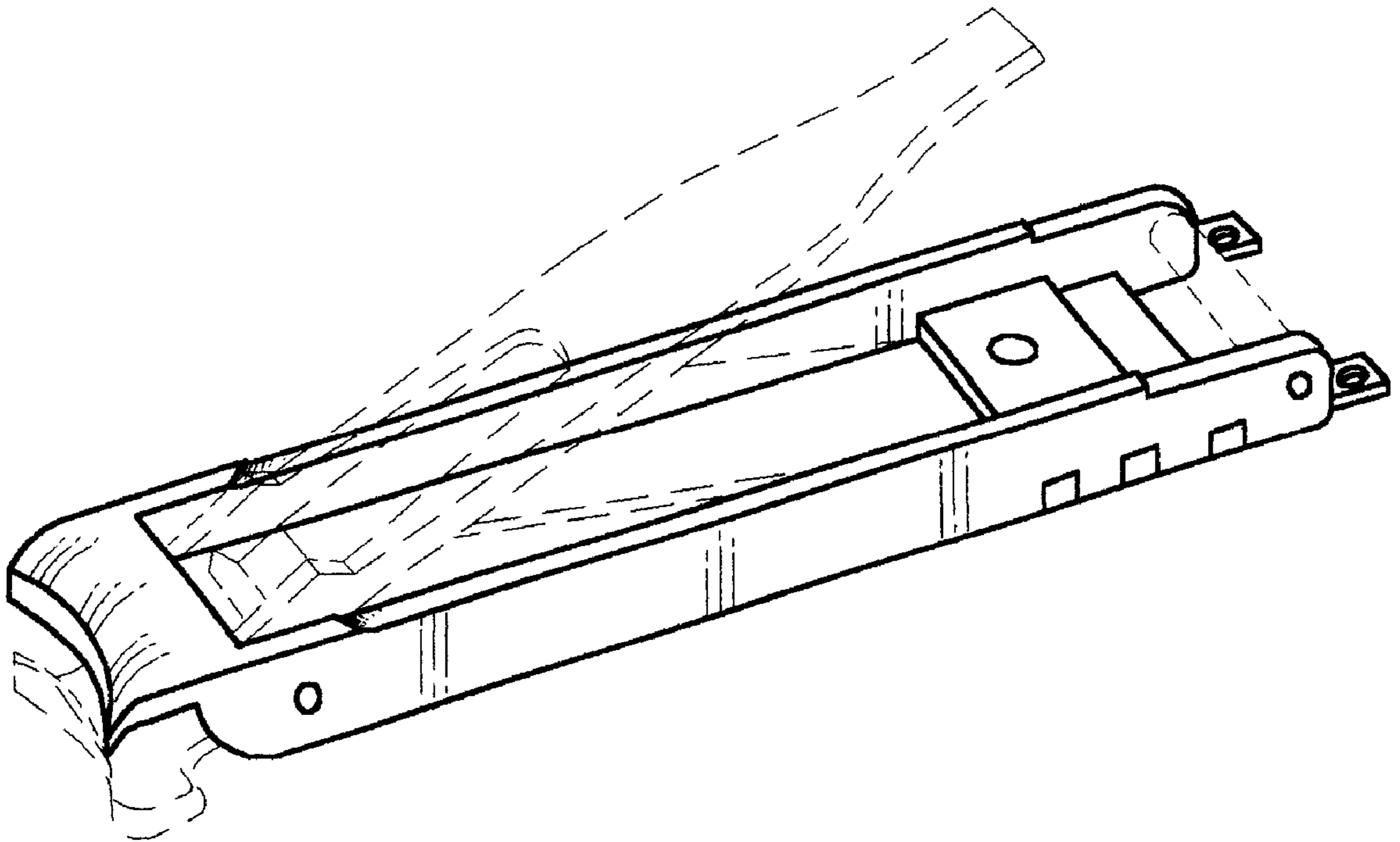
FIG. 7 is a perspective view showing insertion into nail clipper.

U.S. PATENT DOCUMENTS

The broken line showing of the nail clipper is for illustrative purposes only and forms no part of the claimed design.

860,975 * 7/1907 Havell 30/28
1,182,247 * 5/1916 Buegeleisen 132/75.5
1,430,779 * 10/1922 Winter 132/75.5
2,179,435 * 11/1939 Smith 30/28

1 Claim, 3 Drawing Sheets



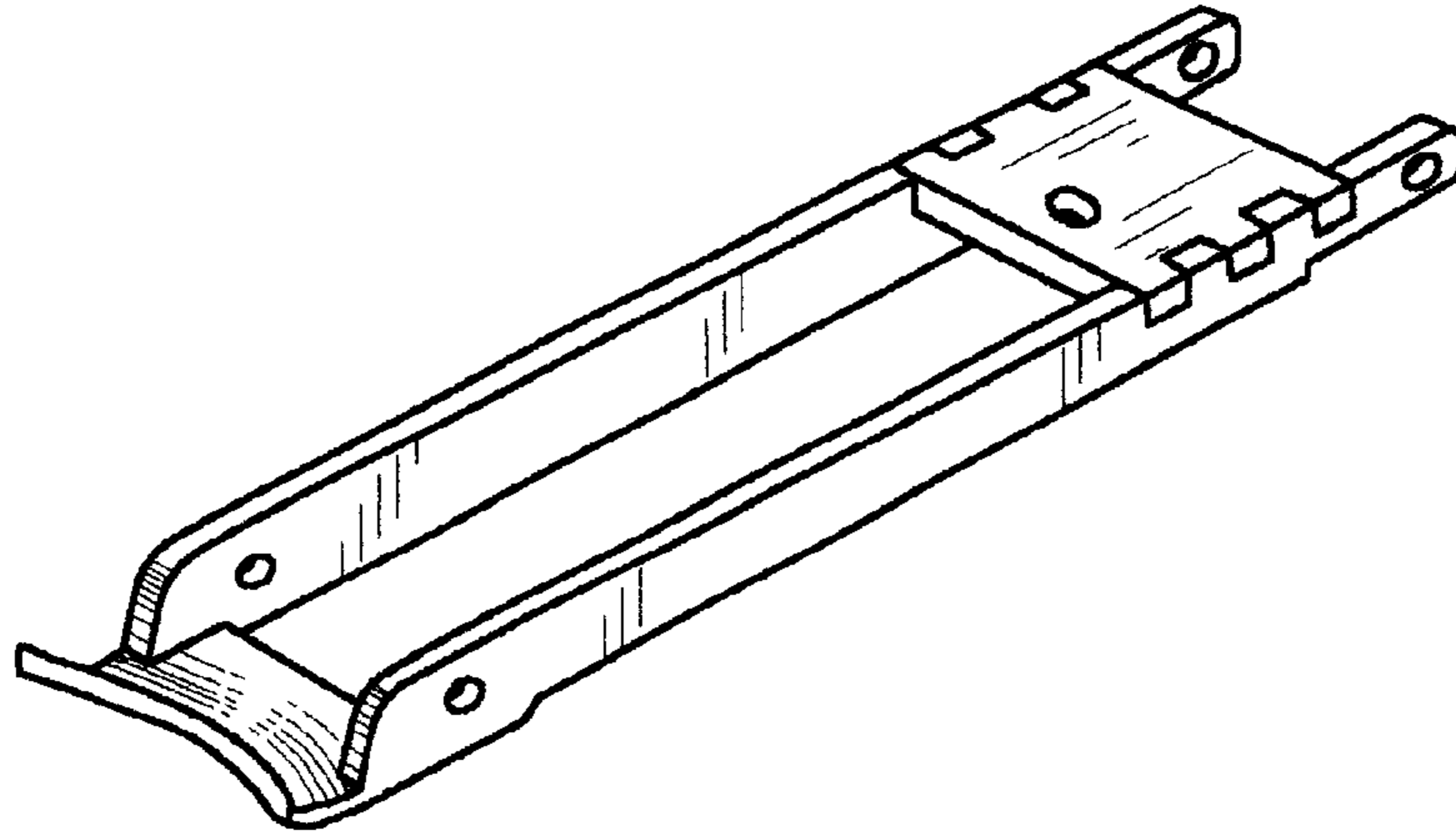


FIG. 1



FIG. 2



FIG. 3

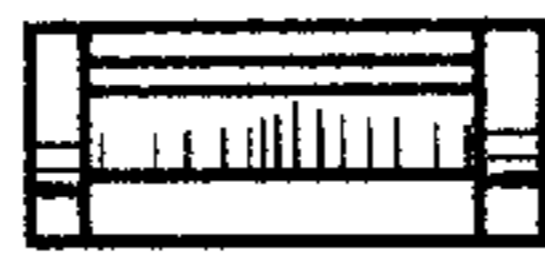


FIG. 4

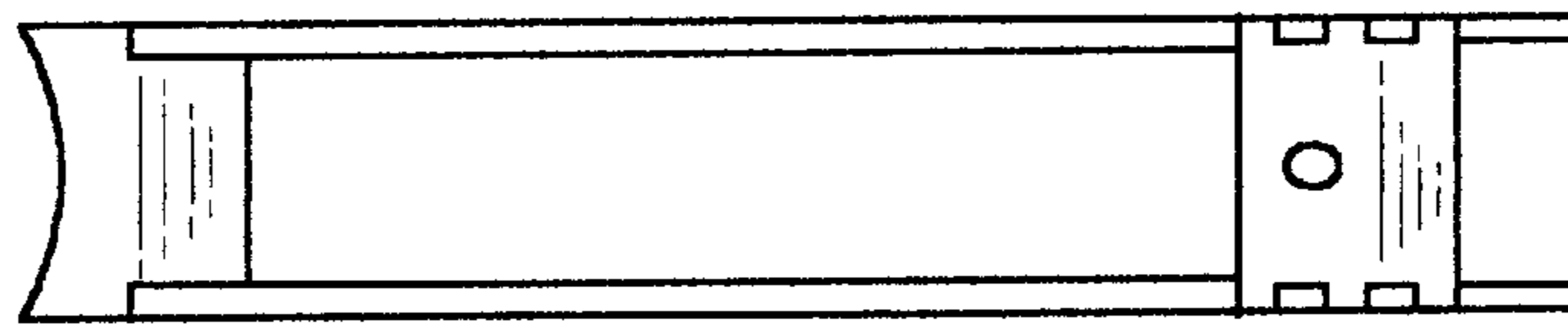


FIG. 5

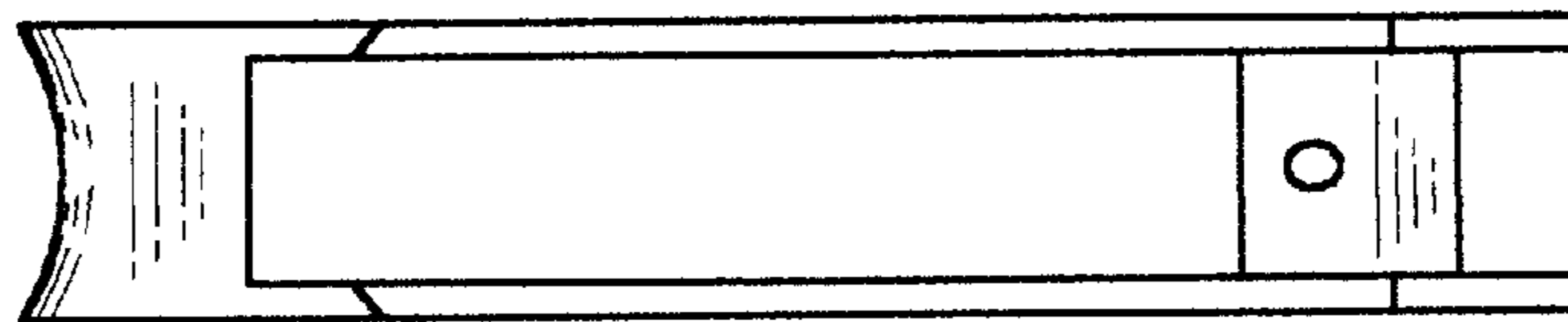


FIG. 6

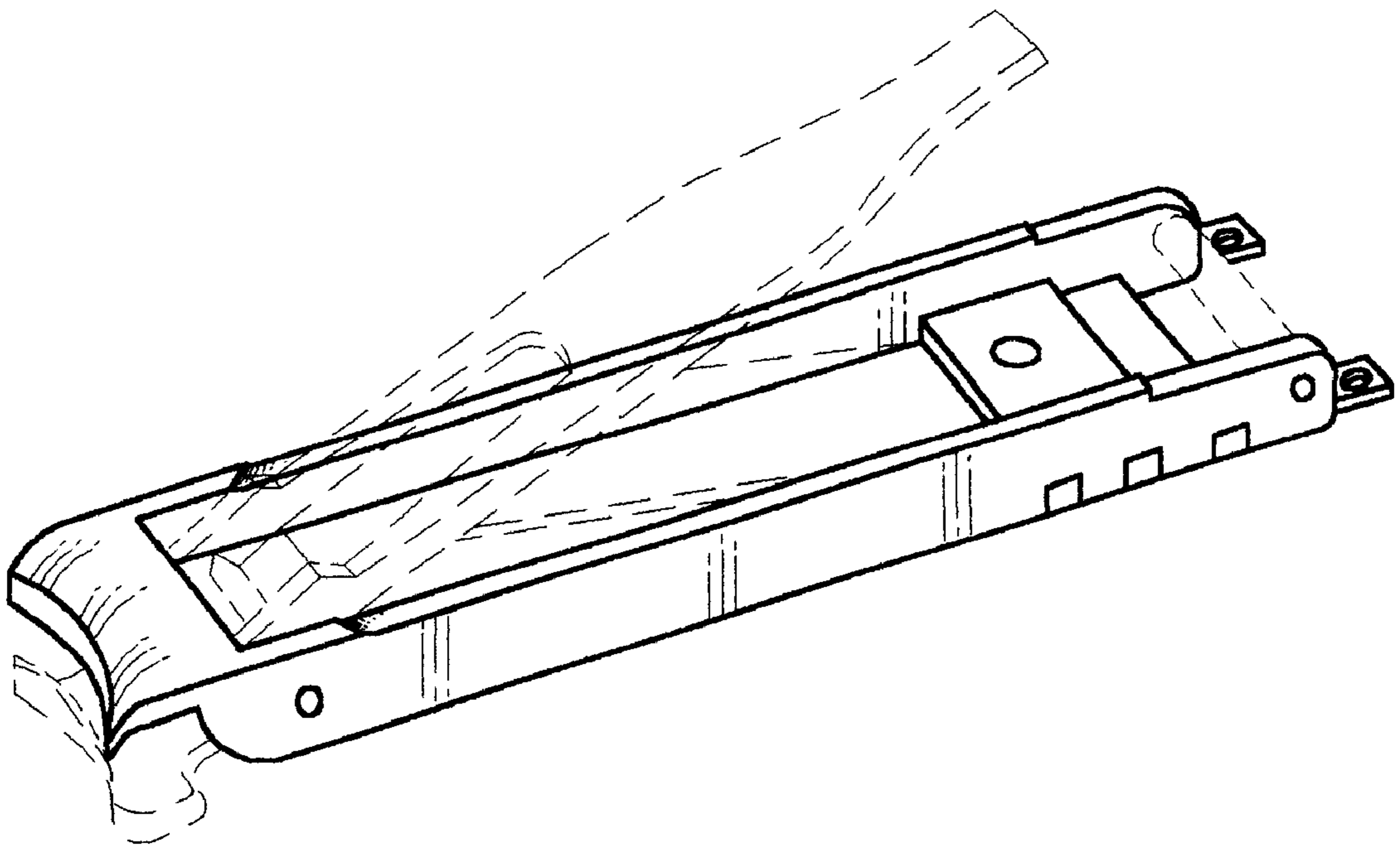


FIG. 7