



US00D446881B1

(12) **United States Design Patent**
Angeletta

(10) **Patent No.:** **US D446,881 S**

(45) **Date of Patent:** **** Aug. 21, 2001**

(54) **PALM HELD LOTION AND LIQUID APPLICATOR**

(76) **Inventor:** **Joseph G. Angeletta**, 418 Fifth St., Mamaroneck, NY (US) 10543

(**) **Term:** **14 Years**

(21) **Appl. No.:** **29/133,818**

(22) **Filed:** **Dec. 7, 2000**

(51) **LOC (7) Cl.** **28-02**

(52) **U.S. Cl.** **D28/7**

(58) **Field of Search** D28/7, 76; D9/338, D9/504, 529, 424; D19/70, 71; 206/385, 581, 823, 208, 213, 218, 219, 220; 401/49, 60, 61, 89, 98, 205, 202; 132/317, 318, 320

(56) **References Cited**

U.S. PATENT DOCUMENTS

| | | | | | |
|------------|---|---------|---------------|-------|---------|
| D. 271,049 | * | 10/1983 | Du Cret | | 401/202 |
| D. 406,389 | * | 3/1999 | Henry | | D28/7 |
| D. 406,676 | * | 3/1999 | Henry | | D28/7 |
| D. 423,713 | * | 4/2000 | Szekely | | D28/7 |
| 2,100,855 | * | 11/1937 | Kelly | | 132/317 |
| 4,728,210 | * | 3/1988 | Barish et al. | | 401/6 |

* cited by examiner

Primary Examiner—Paula A. Mortimer

(74) *Attorney, Agent, or Firm*—Scully, Scott, Murphy & Presser

(57) **CLAIM**

The ornamental design for a palm held lotion and liquid applicator, as shown and described.

DESCRIPTION

FIG. 1 illustrates perspective side view of a first embodiment of the palm held lotion and liquid applicator showing my new and ornamental design;

FIG. 2 illustrates a side view, the opposite side being a mirror-image thereof;

FIG. 3 illustrates a front view thereof, the opposite side being a mirror-image;

FIG. 4 illustrates a top plan view thereof;

FIG. 5 illustrates a perspective side view of a second embodiment;

FIG. 6 illustrates a side view, the opposite side being a mirror-image thereof;

FIG. 7 is an end elevational view thereof, the opposite end is a mirror image;

FIG. 8 illustrates a top plan view thereof;

FIG. 9 illustrates a bottom plan view of both embodiments;

FIG. 10 illustrates a perspective side view of the first embodiment, with a cover mounted thereon;

FIG. 11 illustrates a perspective side of the second embodiment, with a cover mounted thereon;

FIG. 12 is a perspective view of the cover for both embodiments shown separately for ease of illustration;

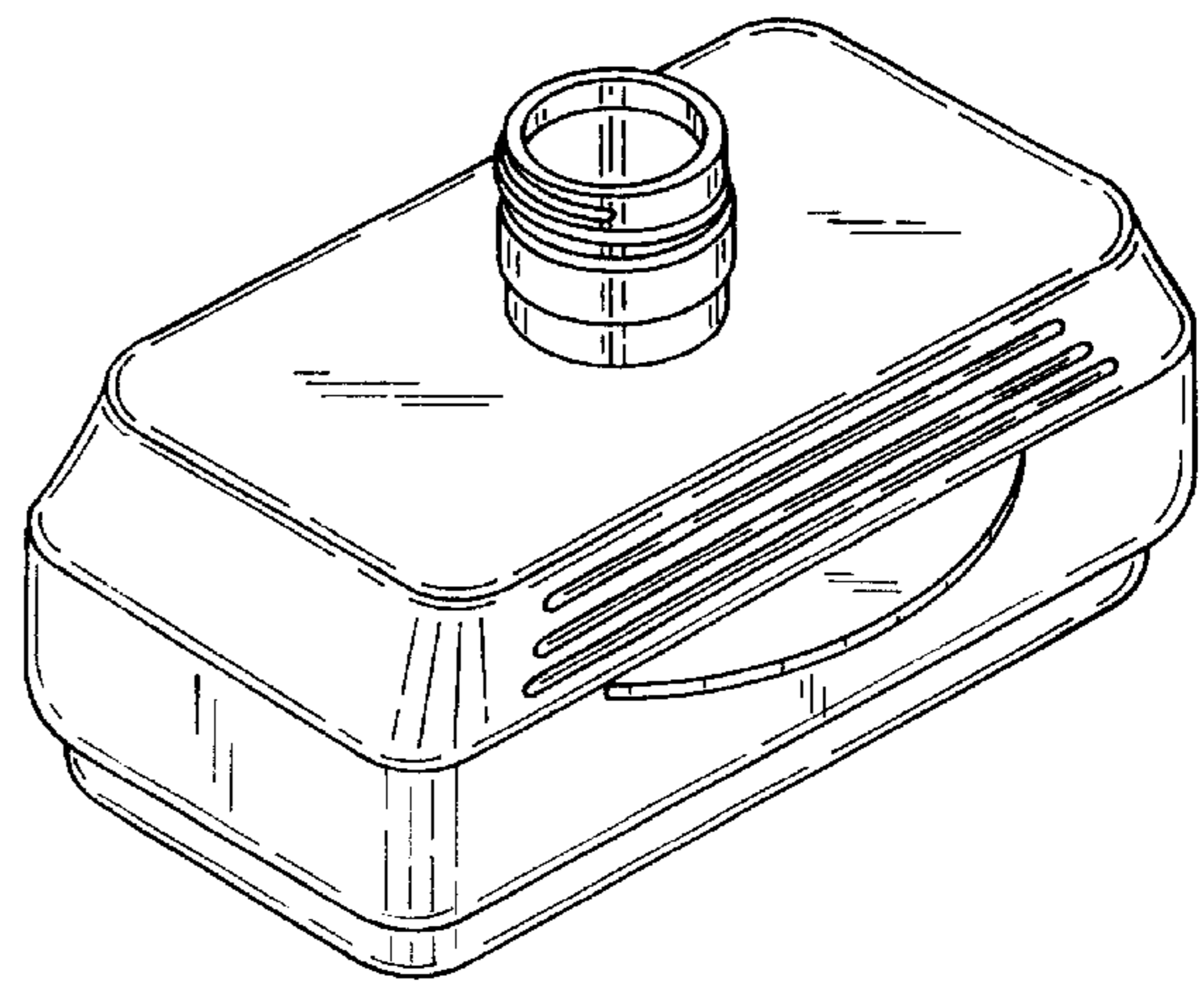
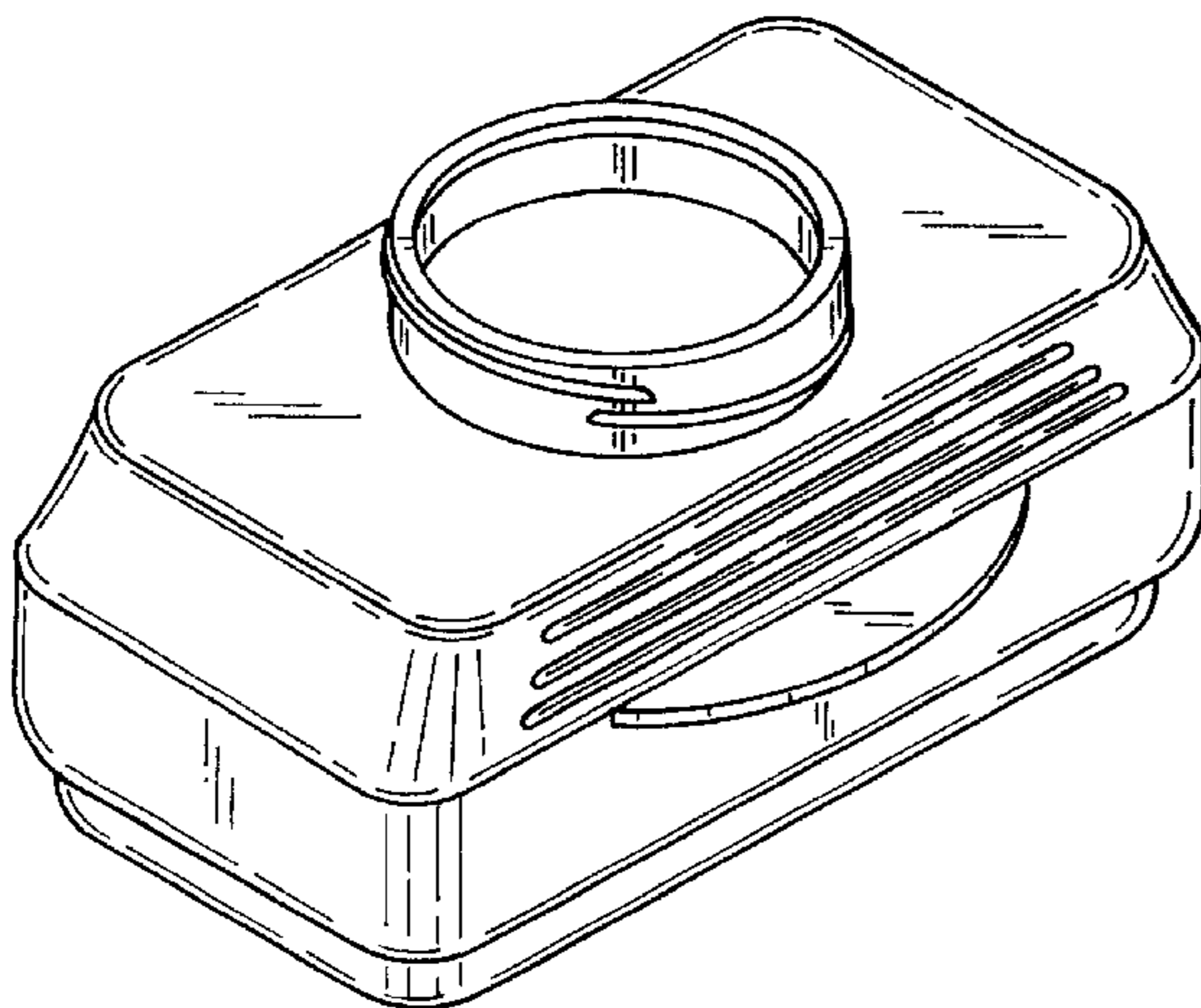
FIG. 13 is a top plan view thereof;

FIG. 14 is a side elevational view thereof, the opposite side is a mirror image;

FIG. 15 is an end elevational view thereof; and,

FIG. 16 is a bottom plan view thereof, the broken lines form no part of the claimed design.

1 Claim, 4 Drawing Sheets



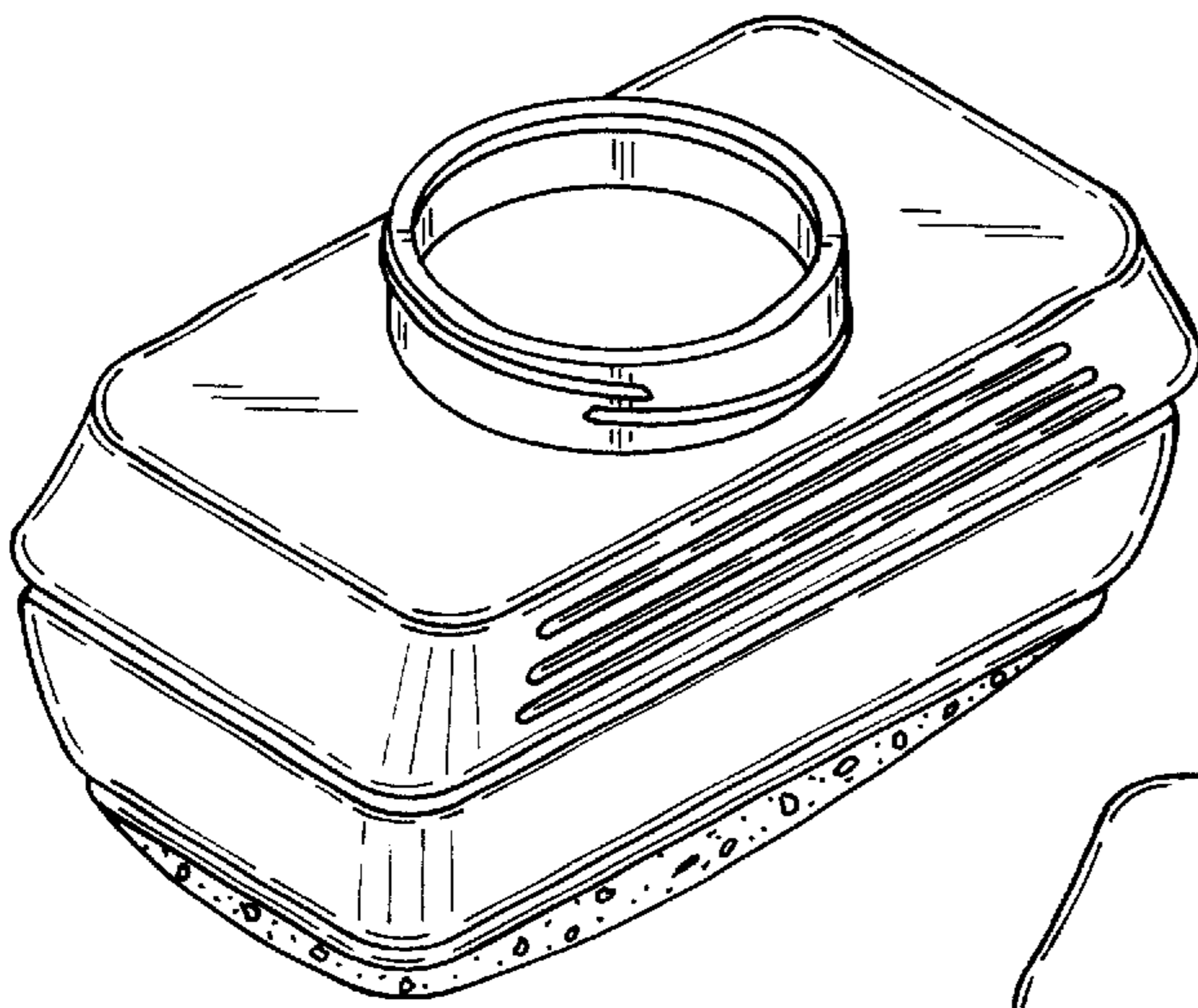


FIG. 1

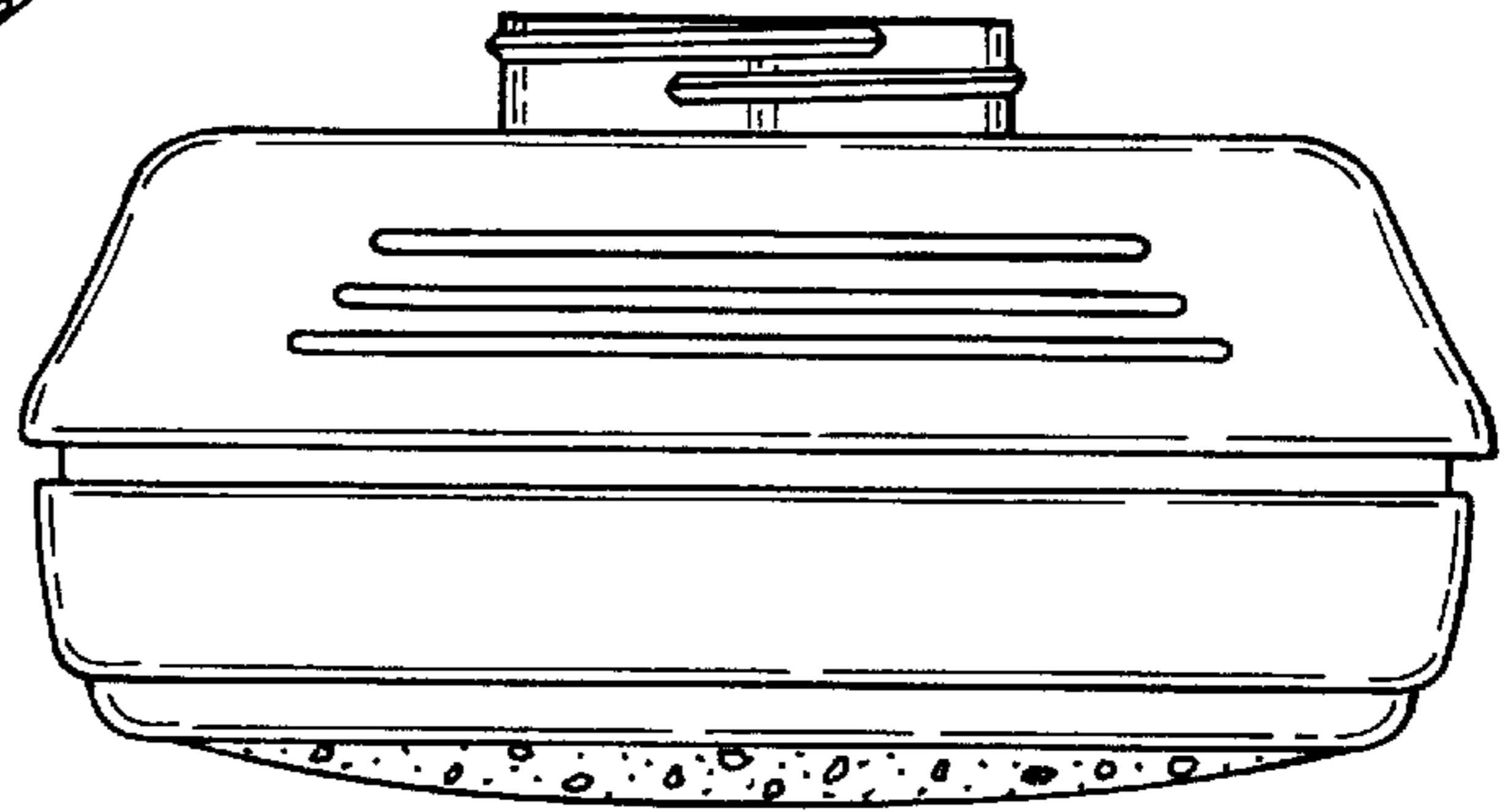


FIG. 2

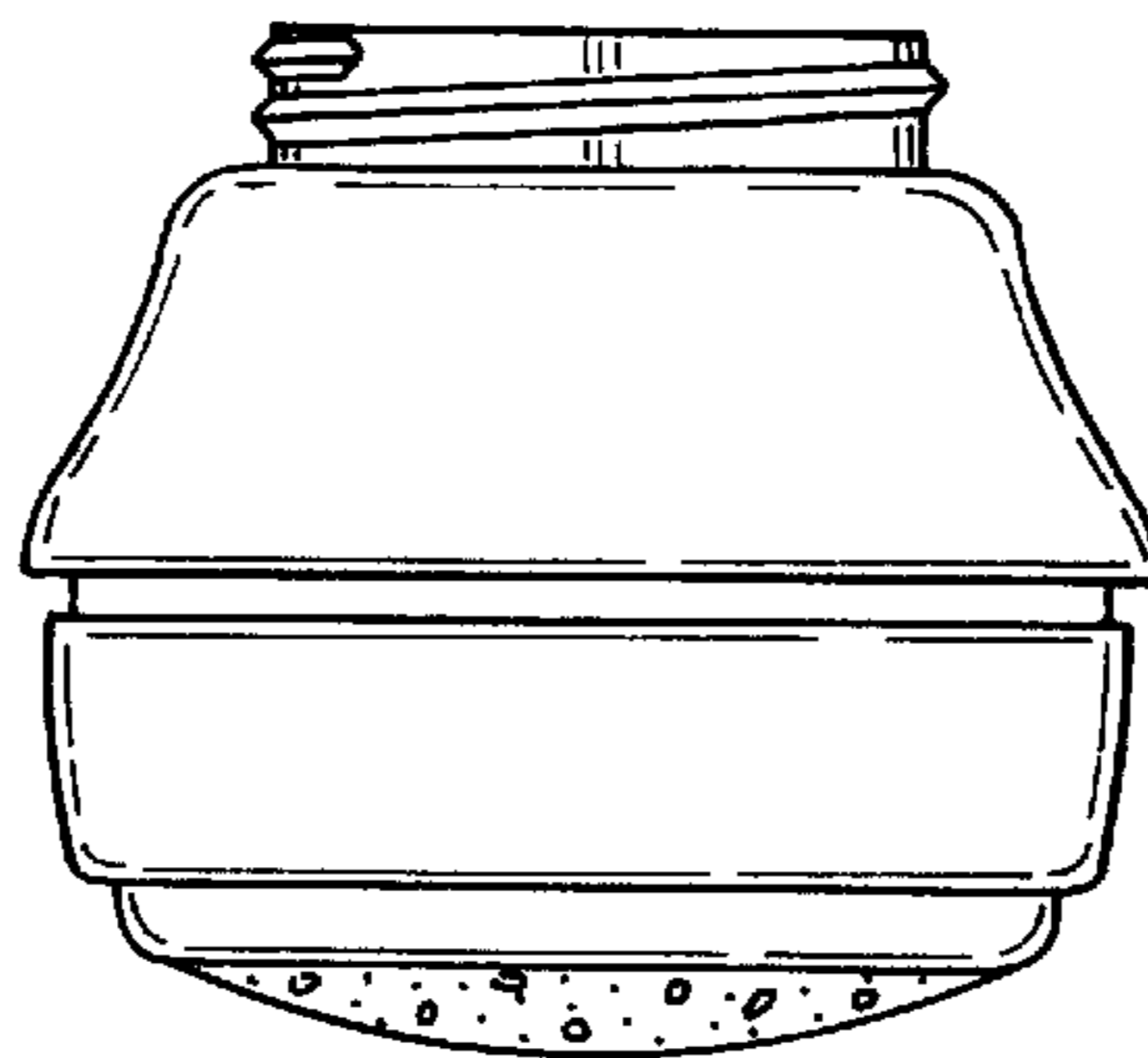


FIG. 3

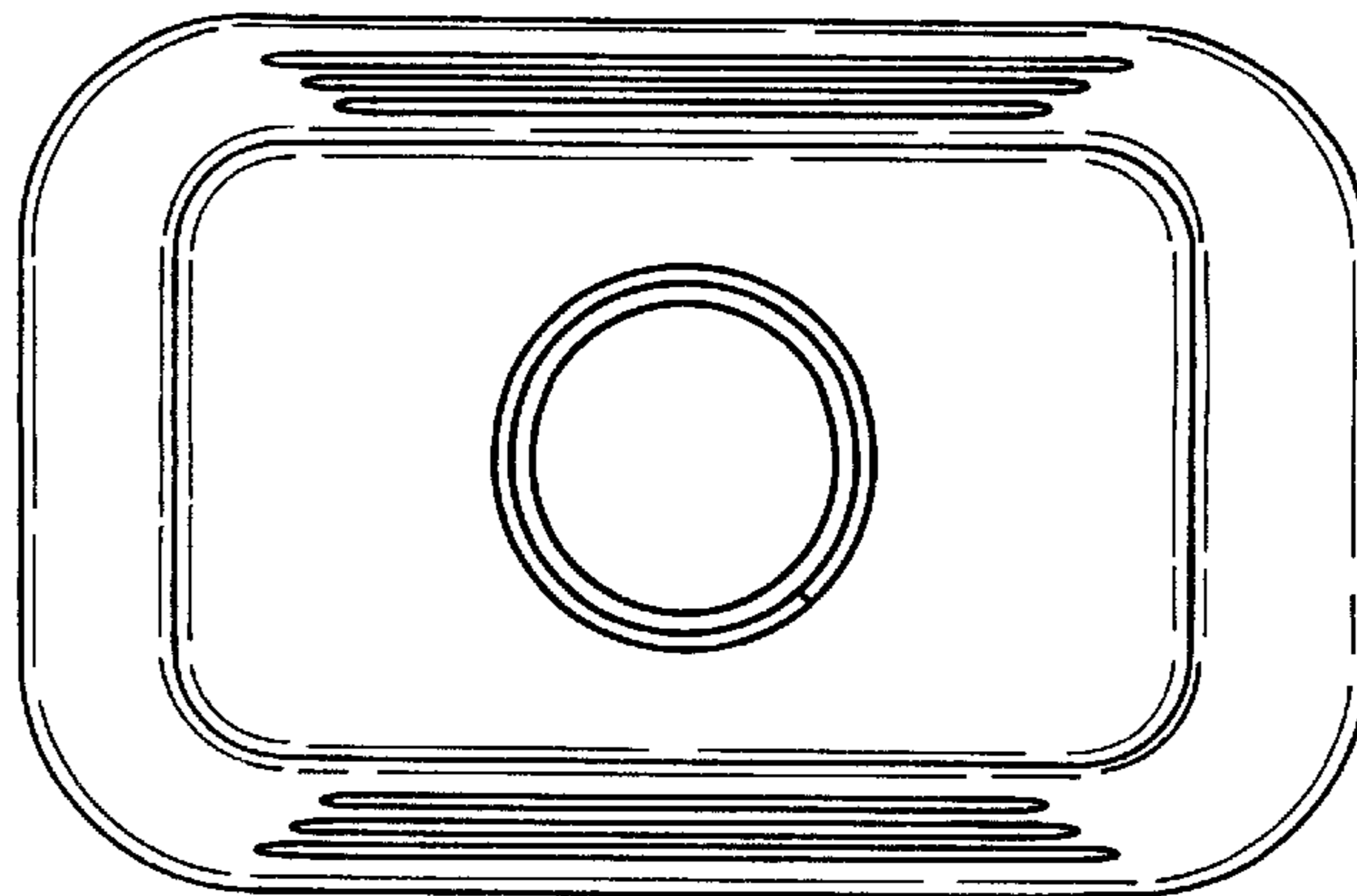


FIG. 4

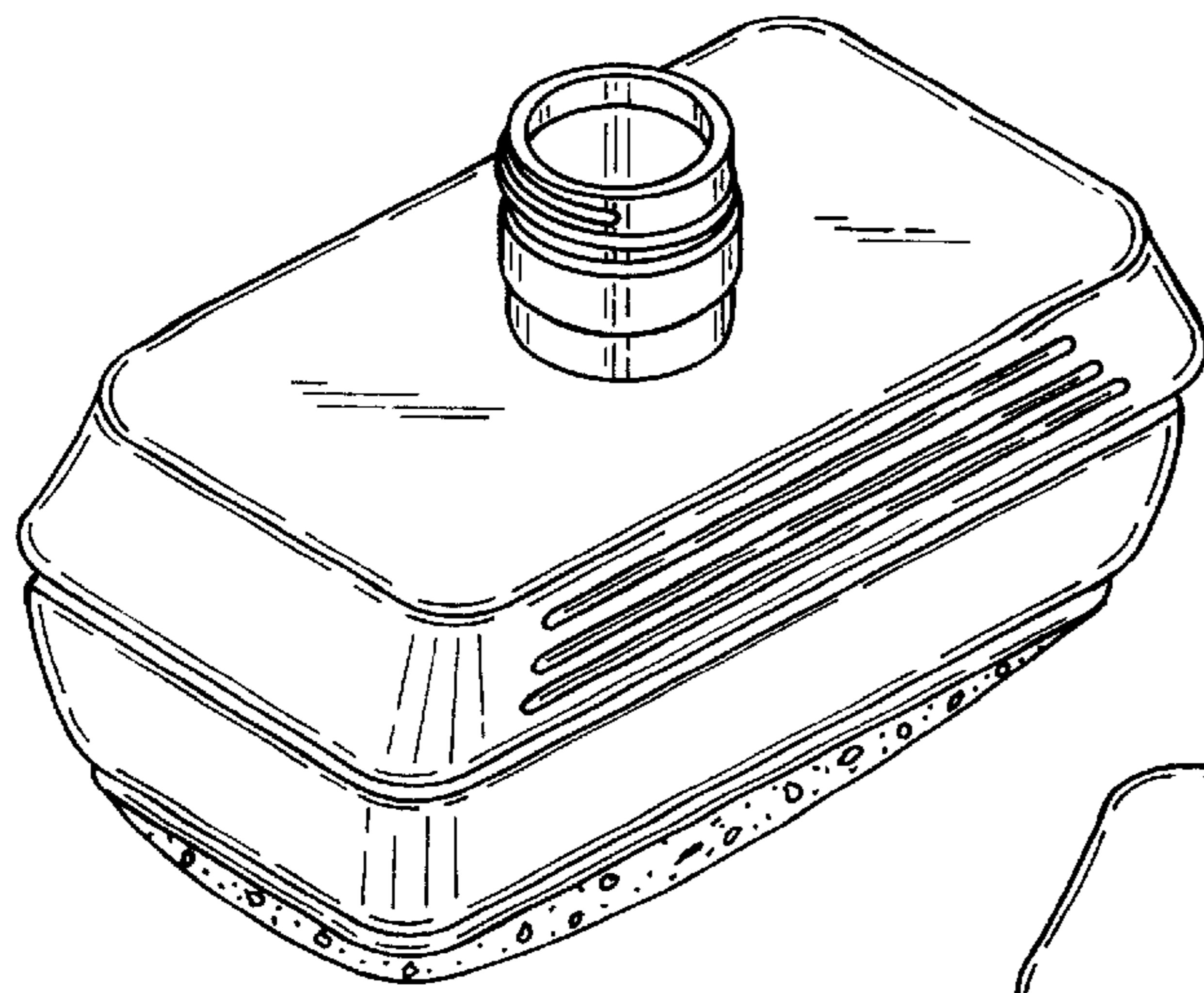


FIG. 5

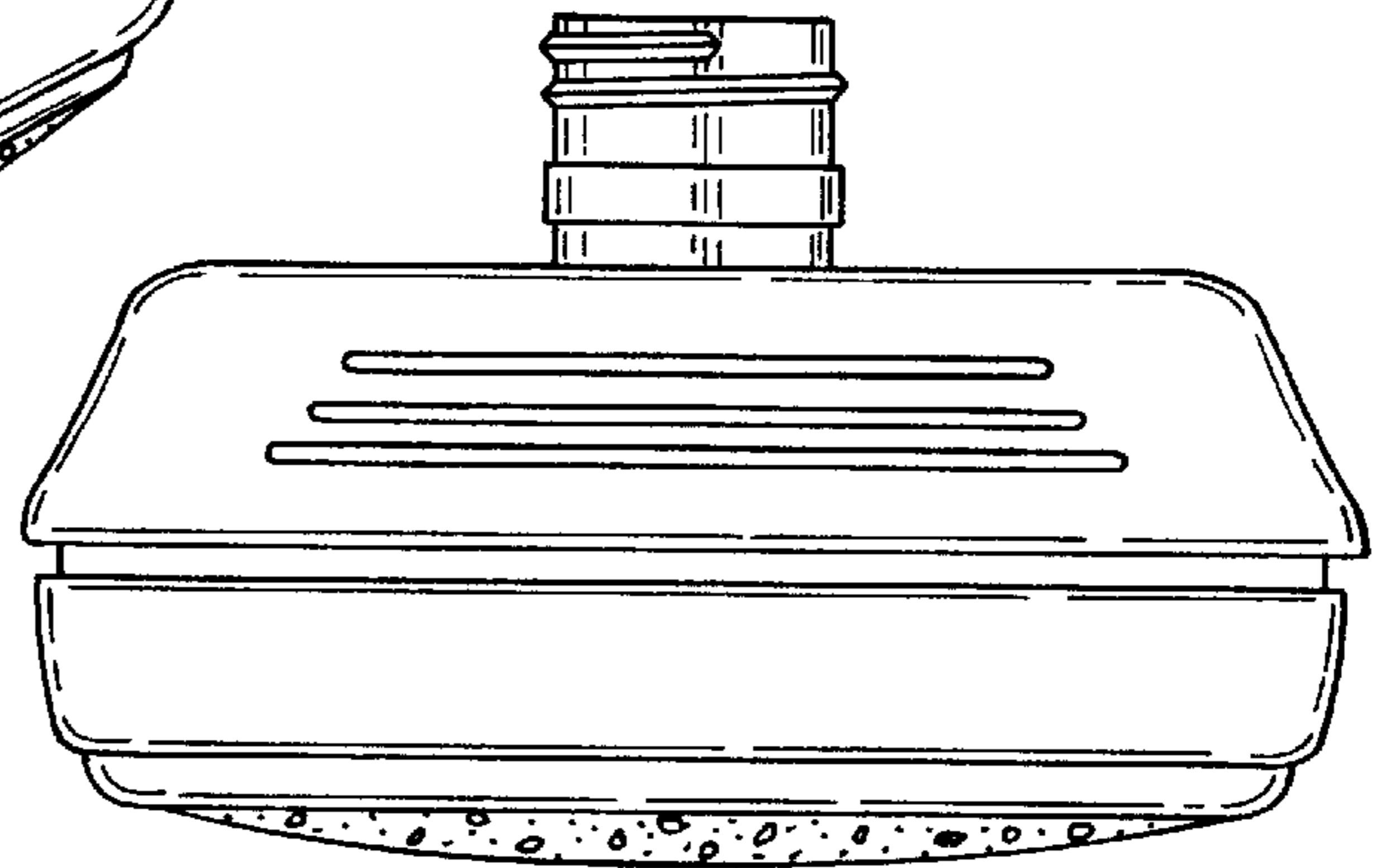


FIG. 6

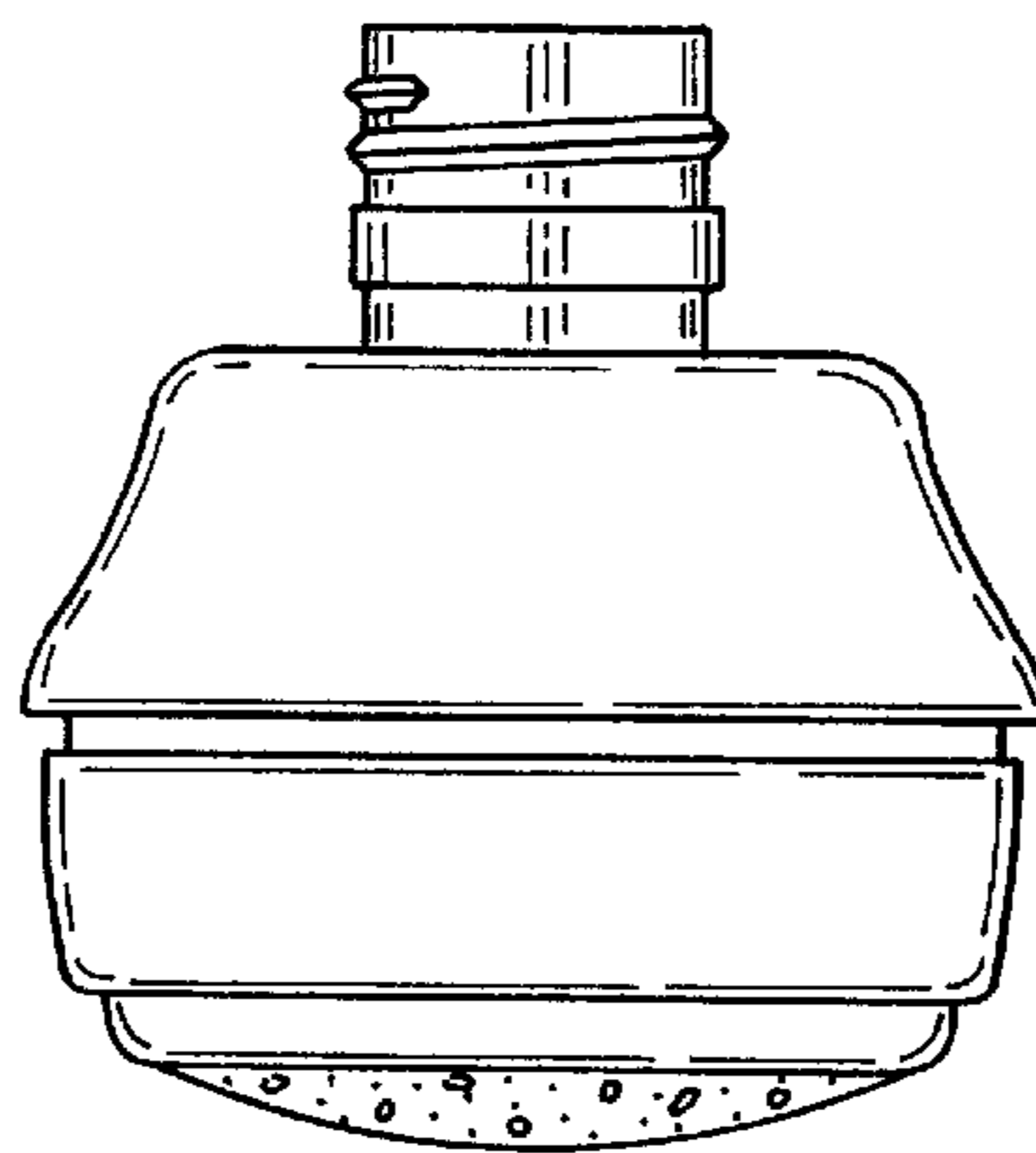


FIG. 7

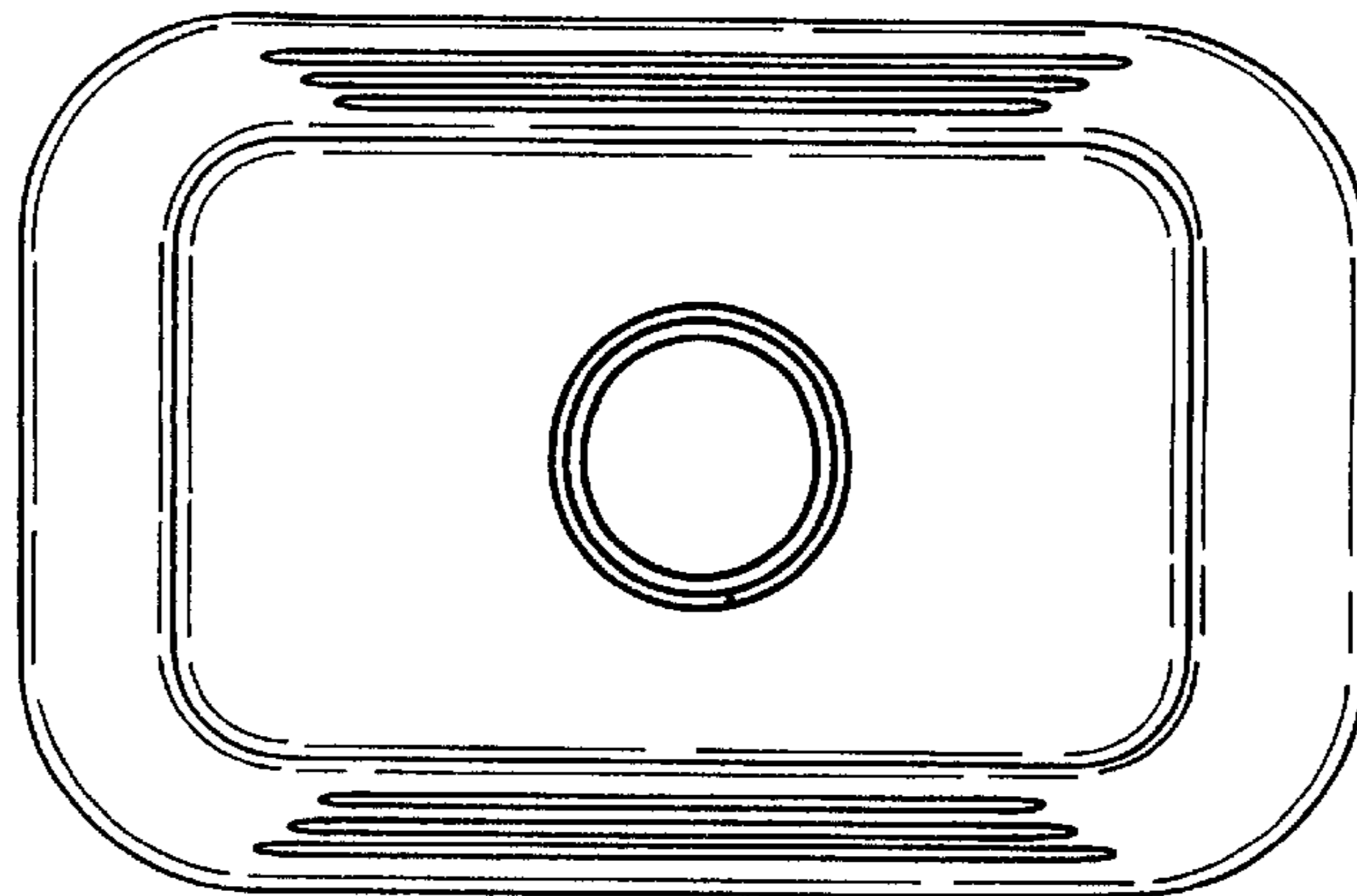


FIG. 8

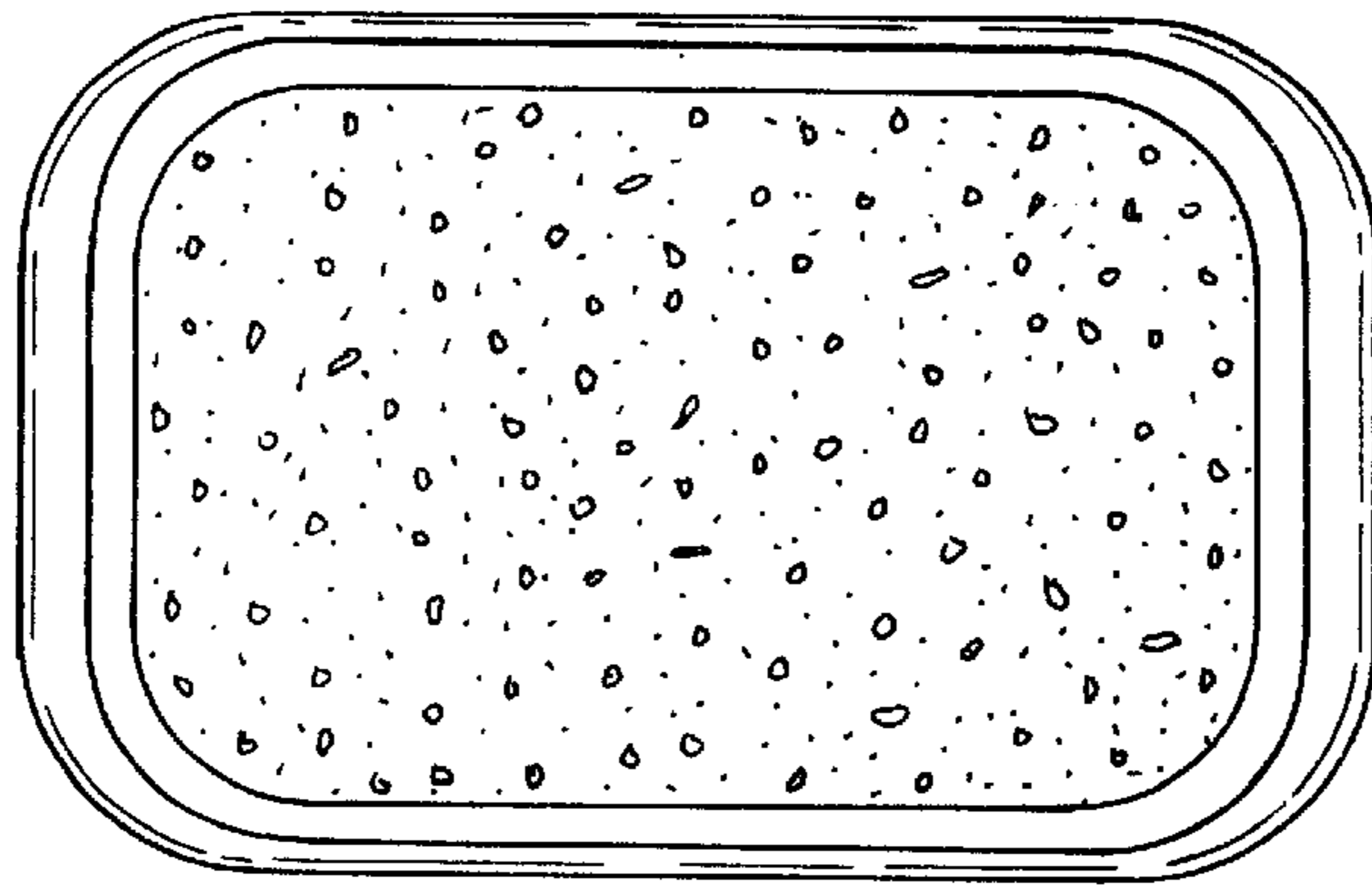


FIG. 9

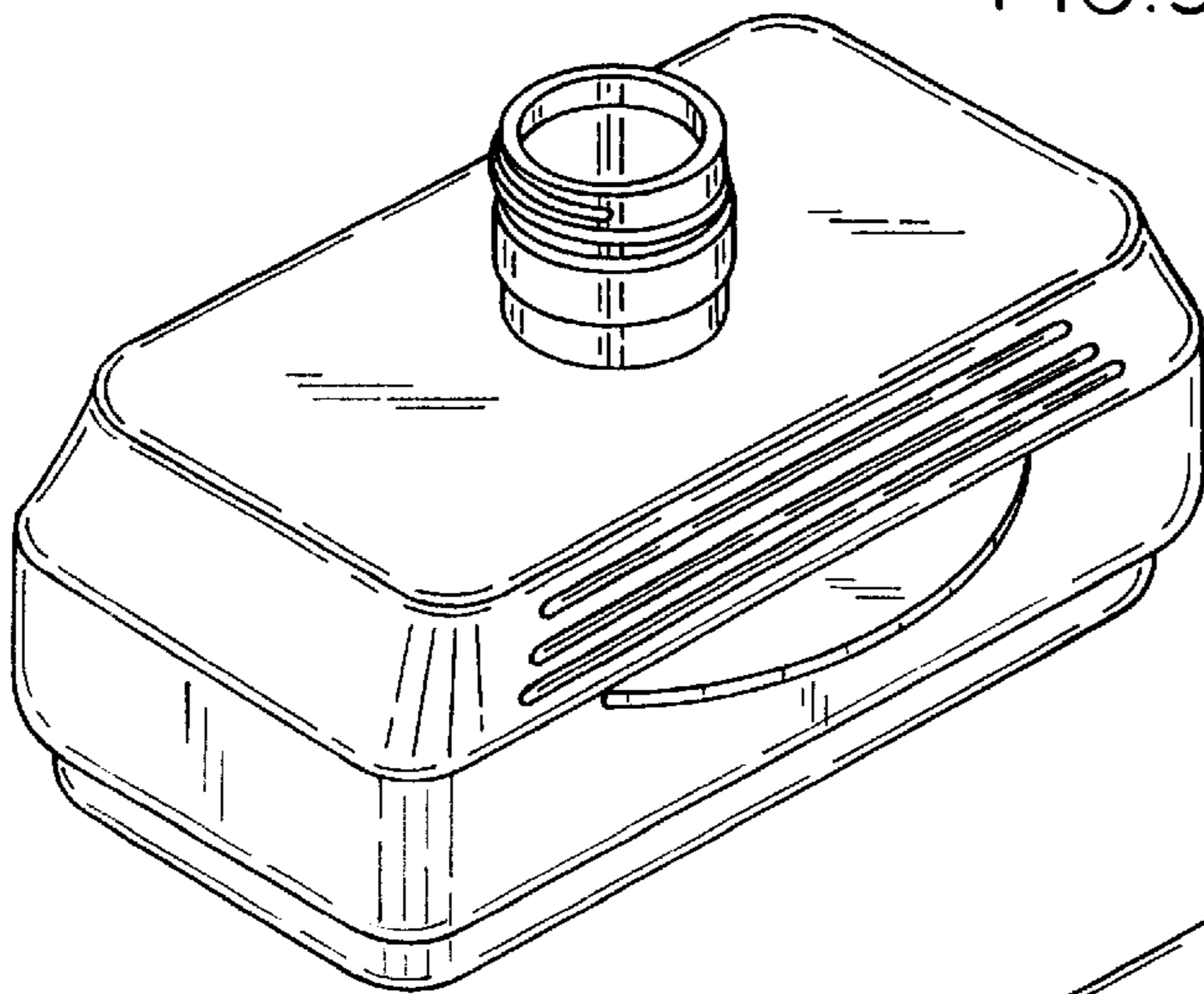


FIG. 11

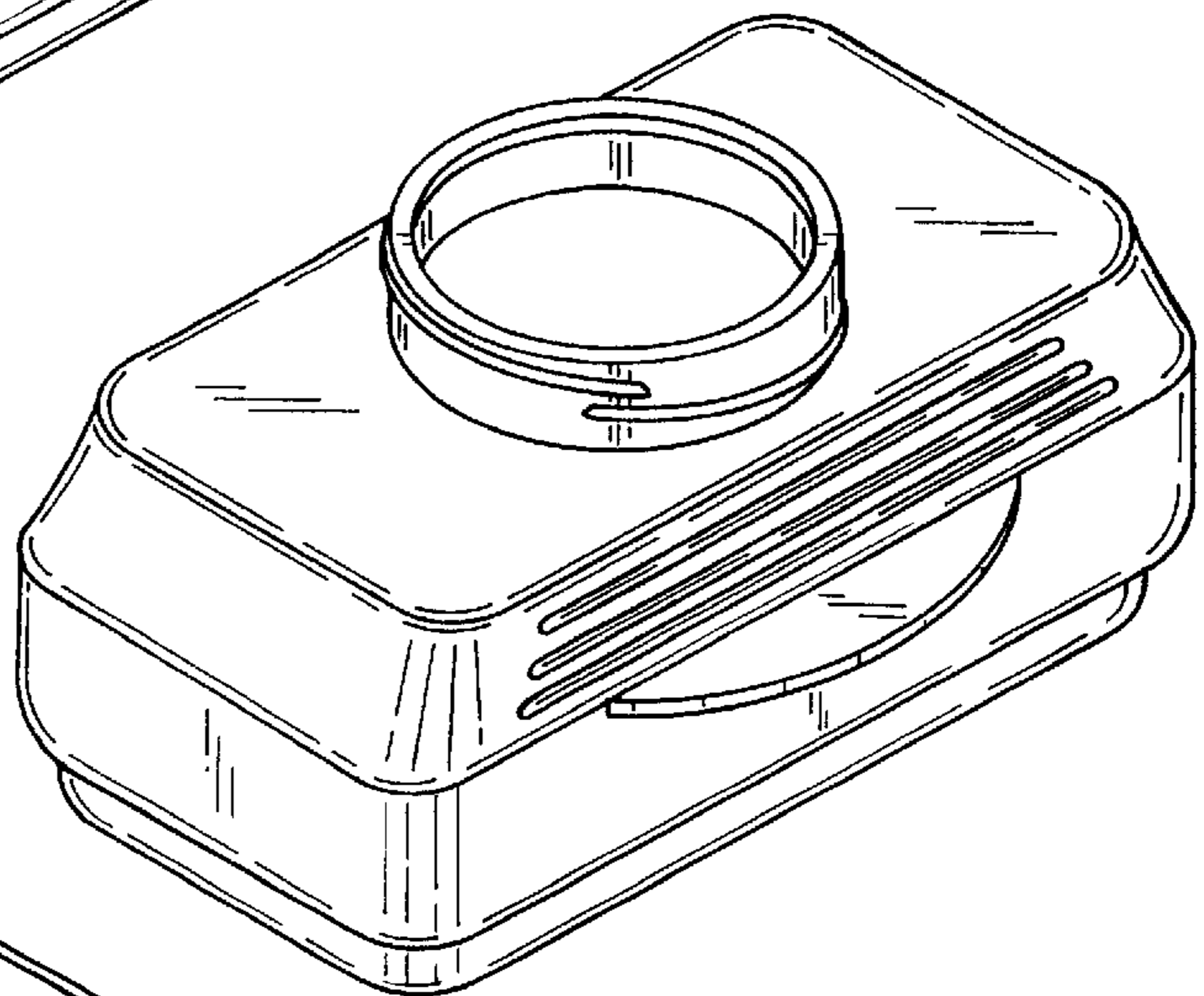


FIG. 10

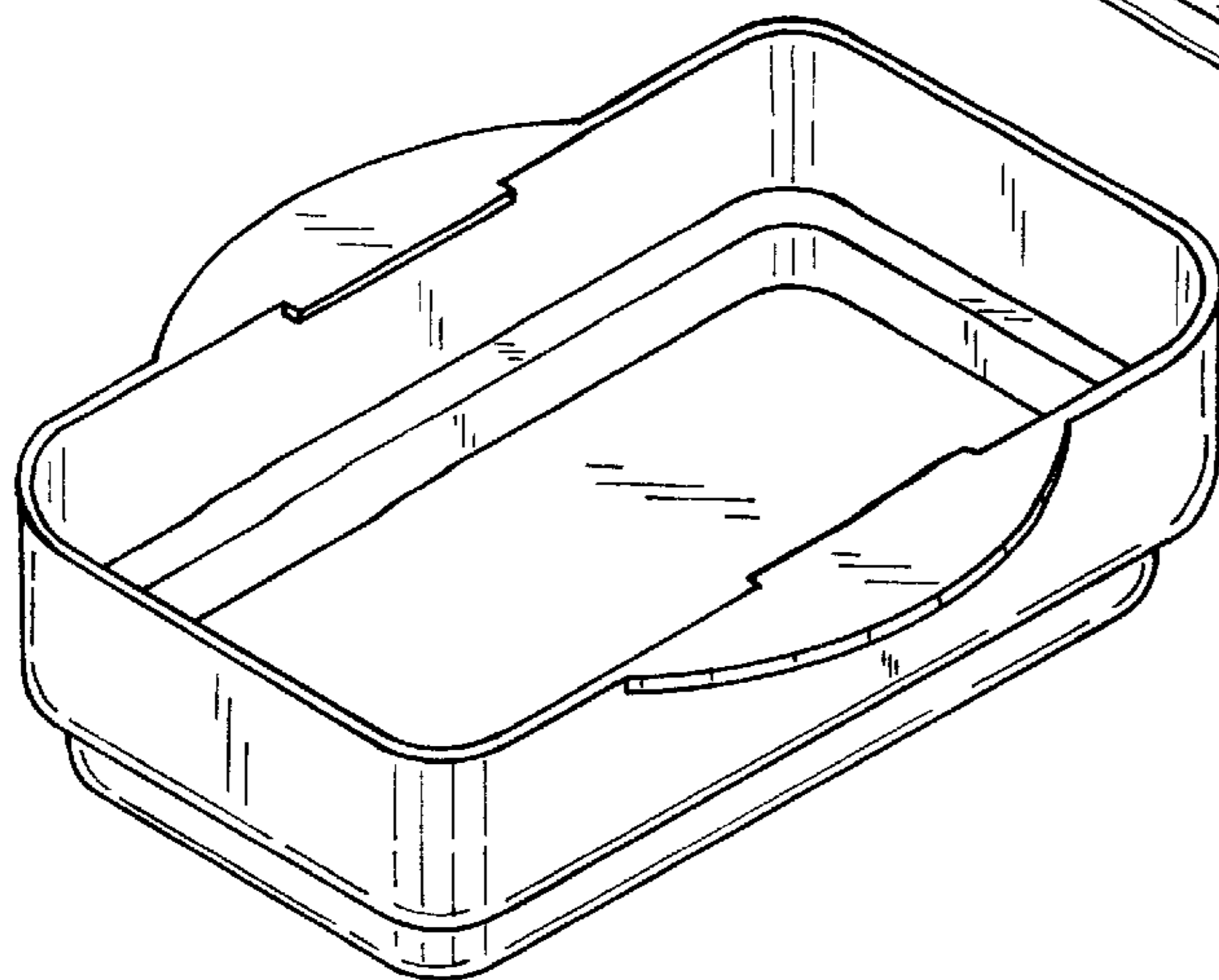


FIG. 12

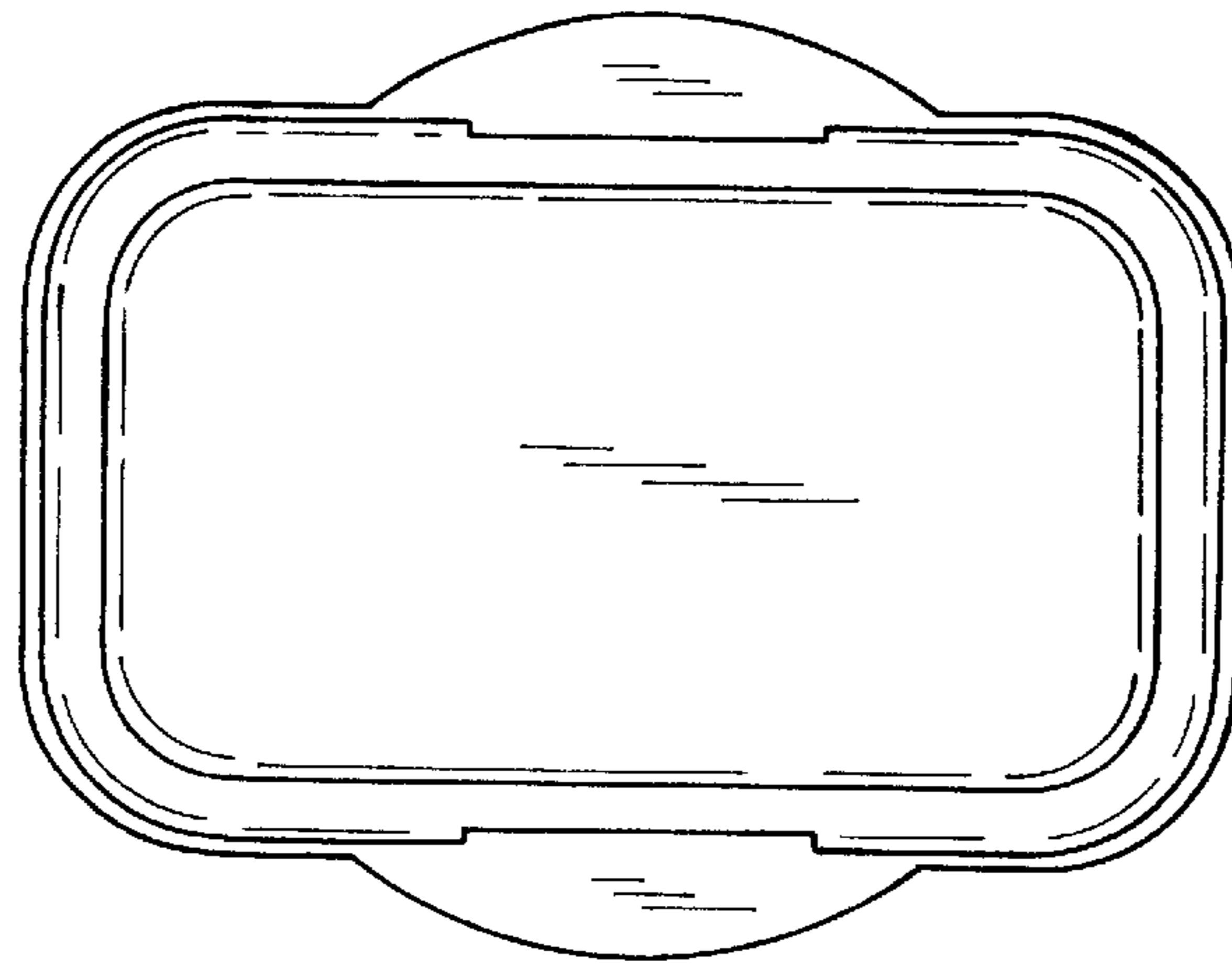


FIG. 13

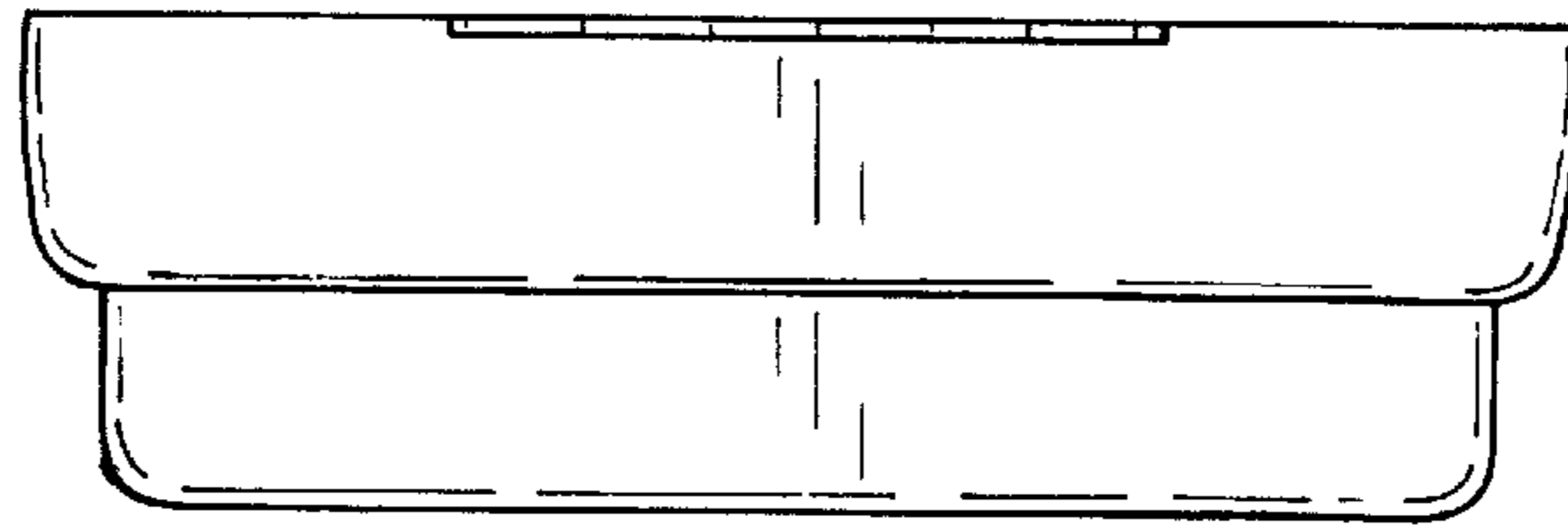


FIG. 14

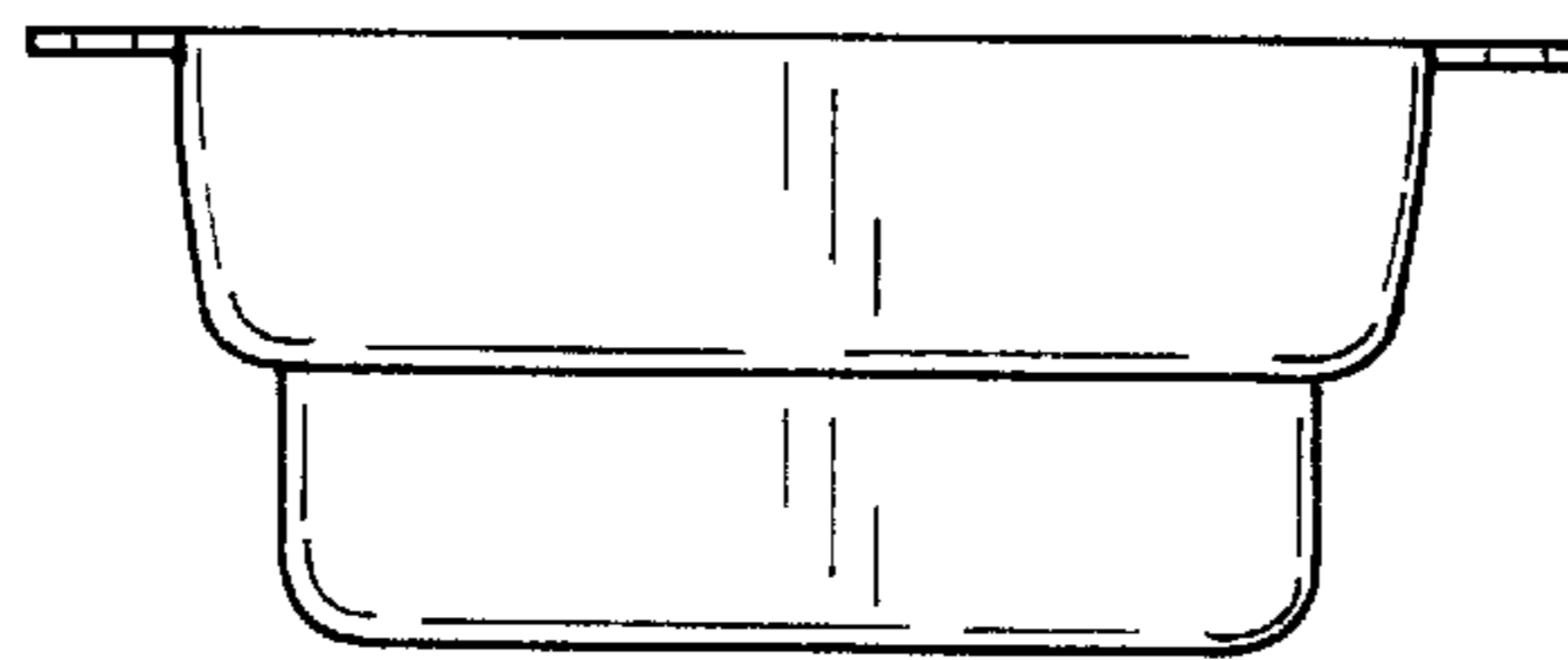


FIG. 15

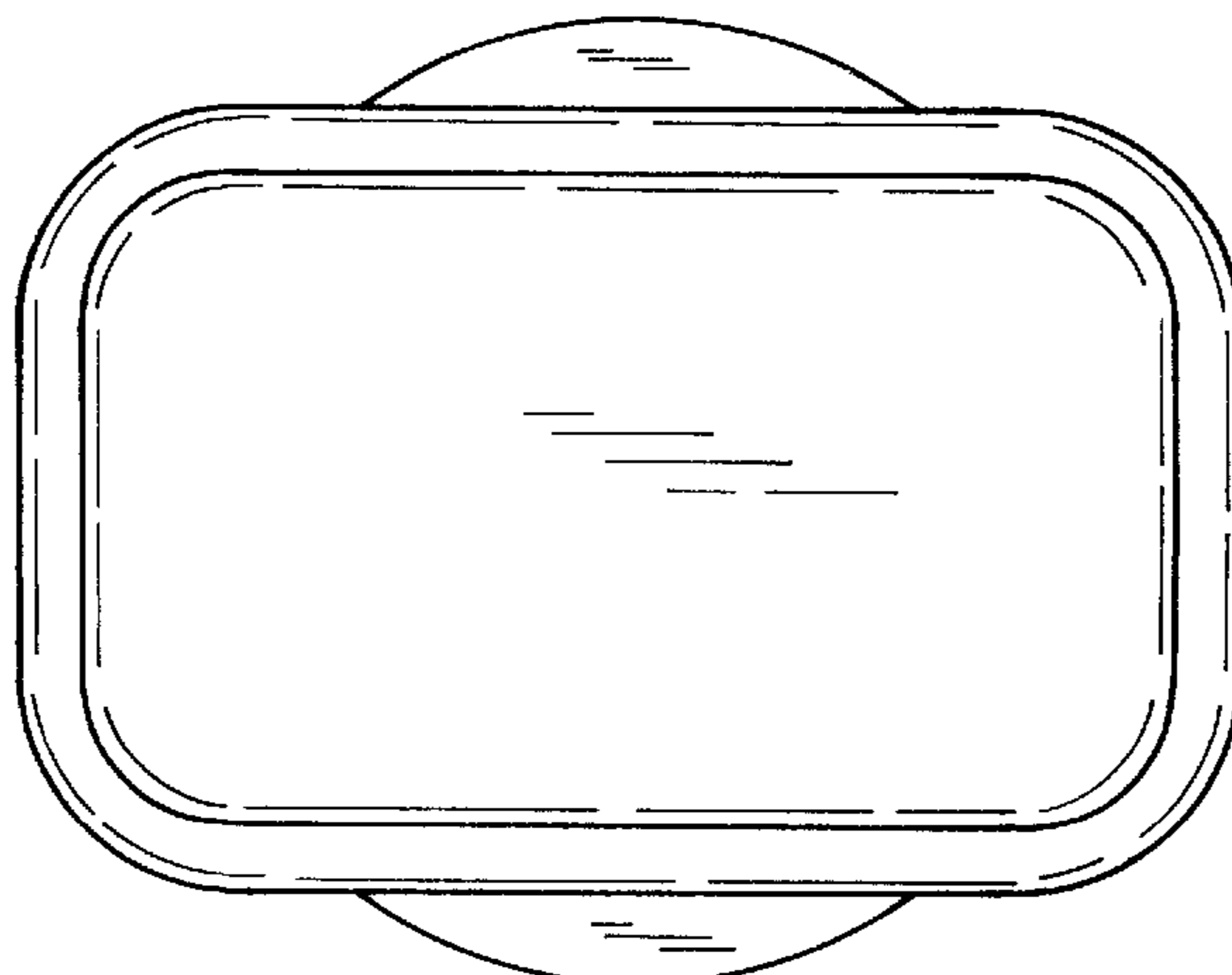


FIG. 16