



US00D446877B1

(12) **United States Design Patent**
Lester

(10) **Patent No.:** **US D446,877 S**

(45) **Date of Patent:** **** Aug. 21, 2001**

(54) **LASER LIGHT**

(75) Inventor: **Robert W. Lester**, Hillsboro Beach, FL (US)

(73) Assignee: **Lighting Components and Design, Inc.**, Deerfield Beach, FL (US)

(**) Term: **14 Years**

(21) Appl. No.: **29/122,200**

(22) Filed: **Apr. 20, 2000**

(51) **LOC (7) Cl.** **26-05**

(52) **U.S. Cl.** **D26/72**

(58) **Field of Search** D26/72-80; 362/147, 362/404-408, 432, 33, 34, 572, 240, 244, 247

(56) **References Cited**

PUBLICATIONS

Kurt Versen lamp brochure page, 1938, wall plate lamp #9192.*

Taiwan Lighting, Aug. 1996, p. 198, wall lamp #TK-G121.*

* cited by examiner

Primary Examiner—Susan J. Lucas

(74) *Attorney, Agent, or Firm*—Collard & Roe, P.C.

(57) **CLAIM**

The ornamental design for a laser light, as shown and described.

DESCRIPTION

FIG. 1 shows a top perspective view of the laser light according to the invention;

FIG. 2 shows a bottom perspective view of the invention;

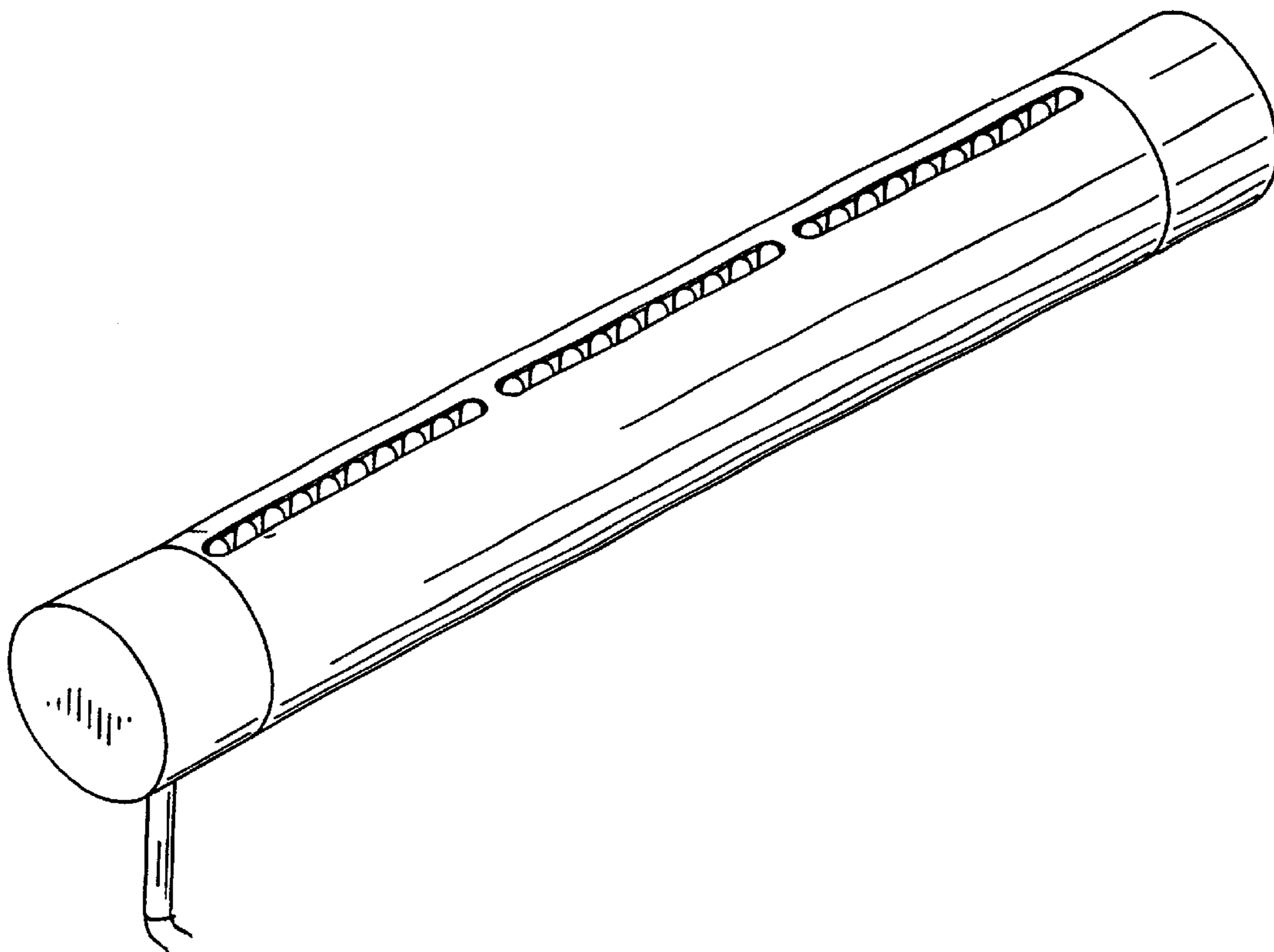
FIG. 3 shows a top view;

FIG. 4 shows a bottom view;

FIG. 5 shows a side view with the opposite side being identical; and,

FIG. 6 shows an end view with the opposite end being identical.

1 Claim, 3 Drawing Sheets



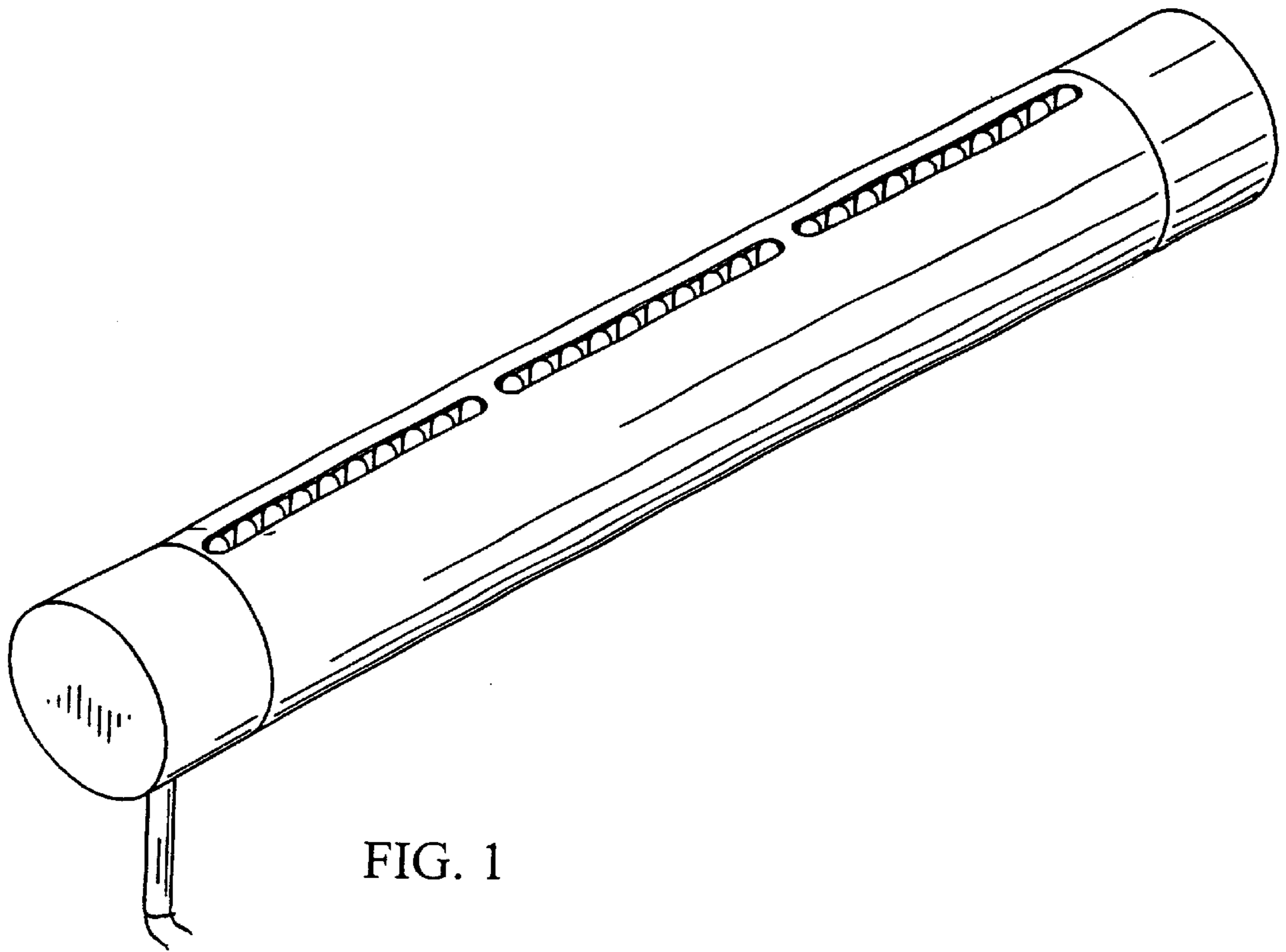


FIG. 1

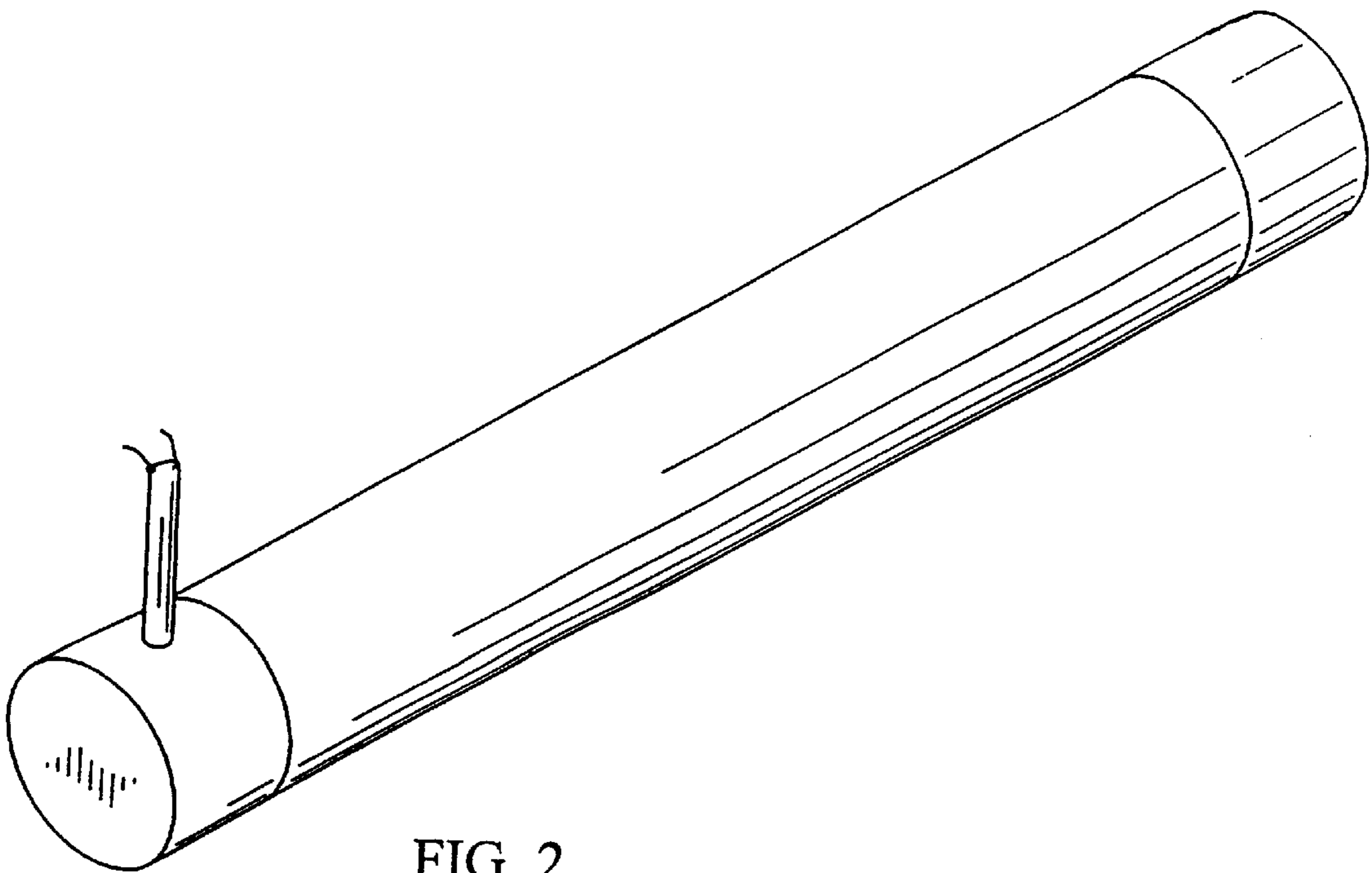


FIG. 2

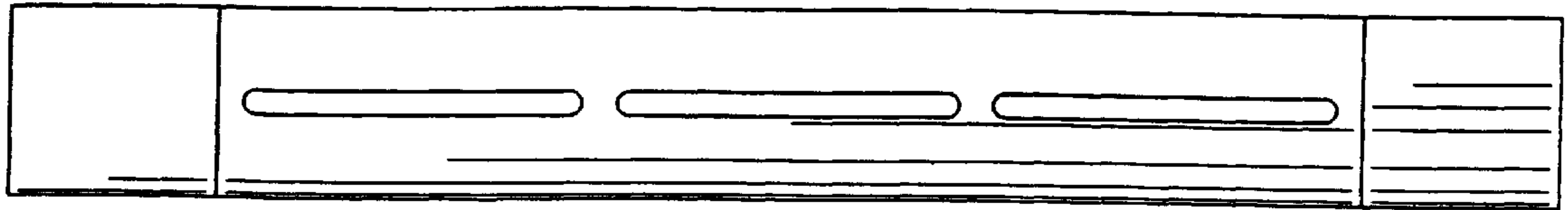


FIG. 3

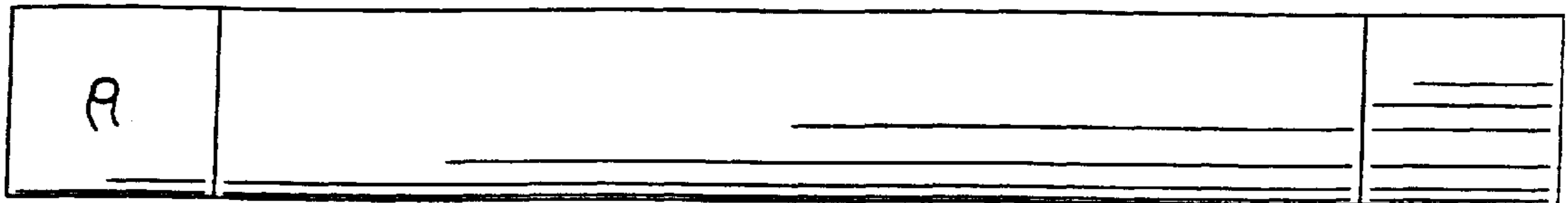


FIG. 4

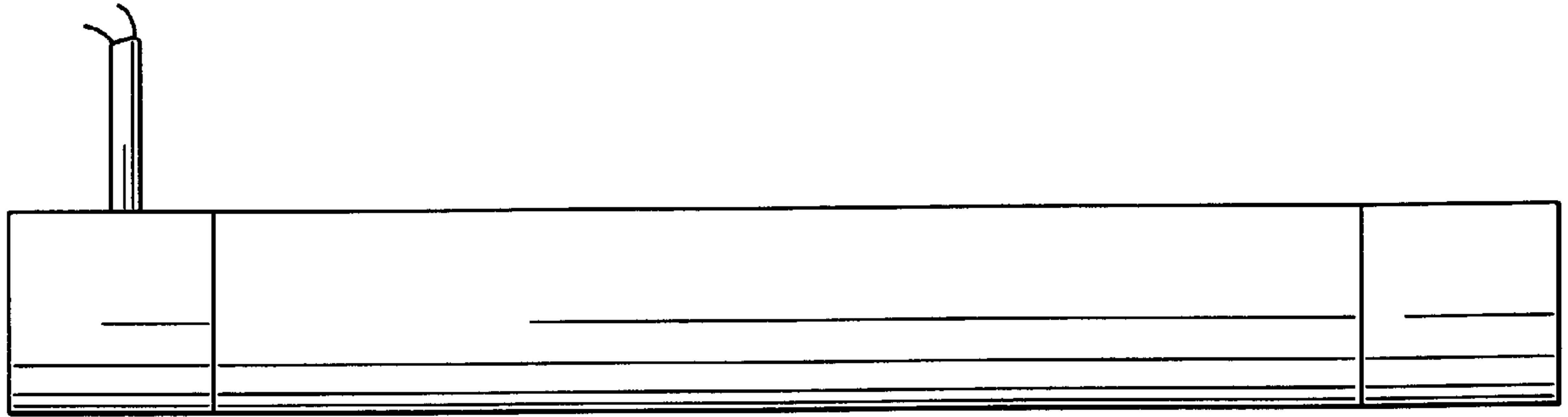


FIG. 5

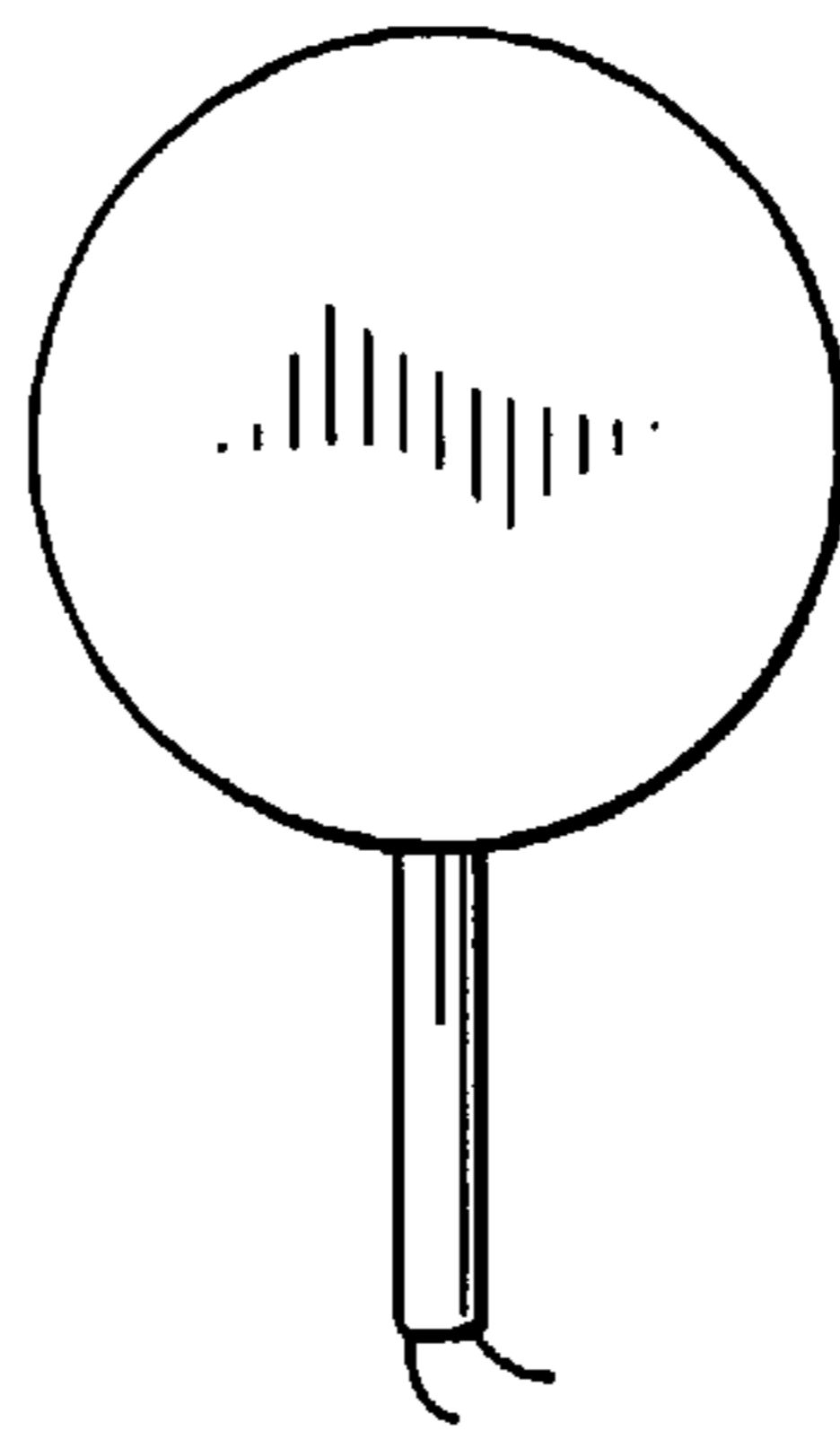


FIG. 6