



US00D446875B1

(12) **United States Design Patent**
Leen

(10) **Patent No.:** **US D446,875 S**

(45) **Date of Patent:** **** Aug. 21, 2001**

(54) **ROUND-FACED, U-BASED WORK LAMP**

(76) Inventor: **Monte A. Leen**, 11730 NE. 12th St.,
Bellevue, WA (US) 98005

(**) Term: **14 Years**

(21) Appl. No.: **29/137,145**

(22) Filed: **Feb. 13, 2001**

(51) **LOC (7) Cl.** **26-05**

(52) **U.S. Cl.** **D26/63**

(58) **Field of Search** D26/60-66; 362/269,
362/277, 282, 285, 396, 418, 419, 426,
428, 393, 401, 427

(56) **References Cited**

U.S. PATENT DOCUMENTS

6,050,710 * 4/2000 Grossman 362/427

OTHER PUBLICATIONS

Taiwan Lighting magazine, Nov. 1999, p. 169, spot light, #
DS 1550, MR16 50W x1.*

Taiwan Lighting magazine, Nov. 1999, p. 172, work light #
CQ-500DHC (F).*

* cited by examiner

Primary Examiner—Susan J. Lucas

(74) *Attorney, Agent, or Firm*—Dean A. Craine

(57) **CLAIM**

The ornamental design for a round-faced, u-based work lamp, as shown and described.

DESCRIPTION

FIG. 1 is a perspective view of the round-faced, u based work lamp.

FIG. 2 is a right side elevation view of the invention.

FIG. 3 is a left side elevation view of the invention.

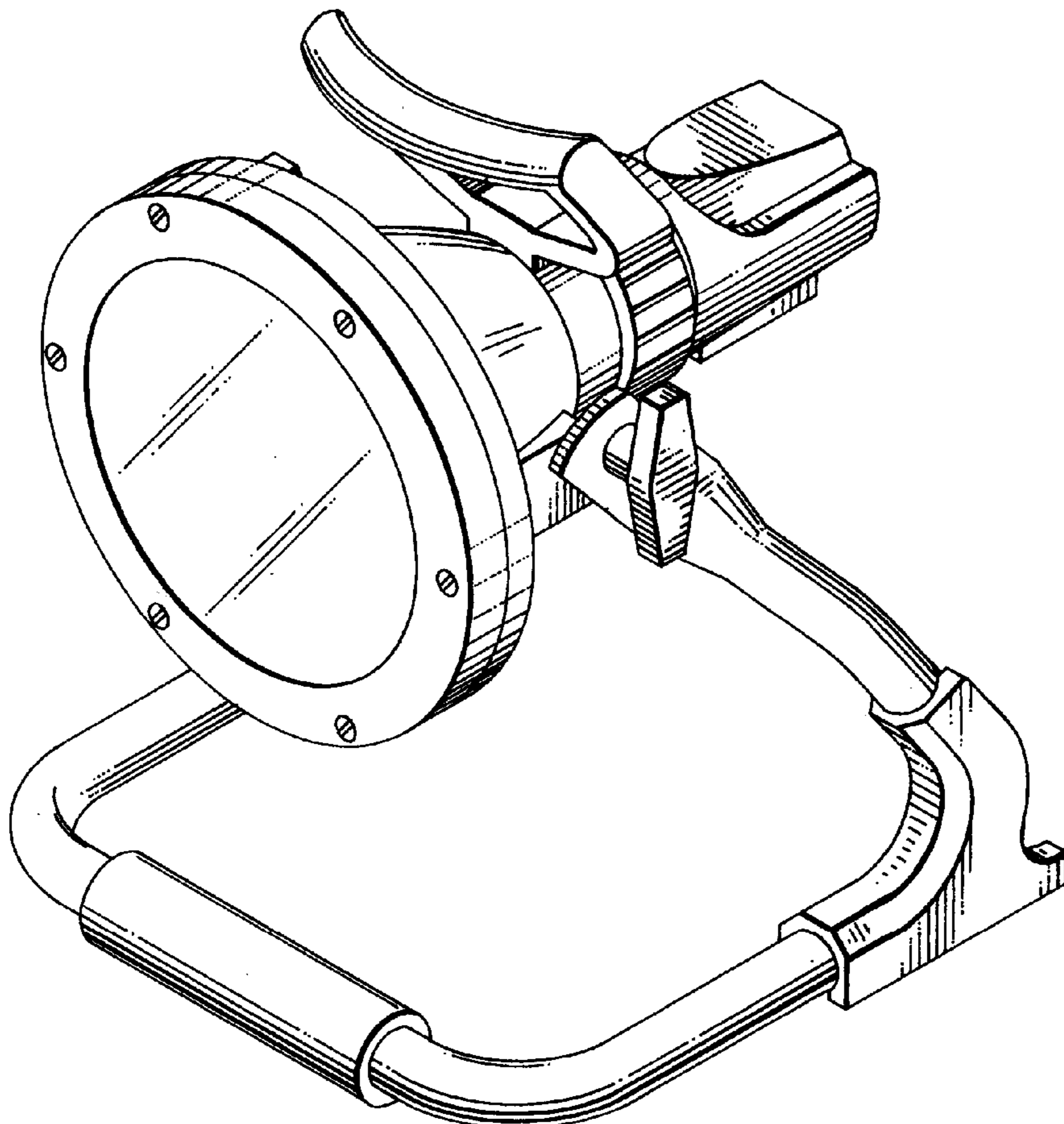
FIG. 4 is a front elevation view of the invention.

FIG. 5 is a rear elevation view of the invention.

FIG. 6 is a top plan view of the invention; and,

FIG. 7 is a bottom plan view of the invention.

1 Claim, 2 Drawing Sheets



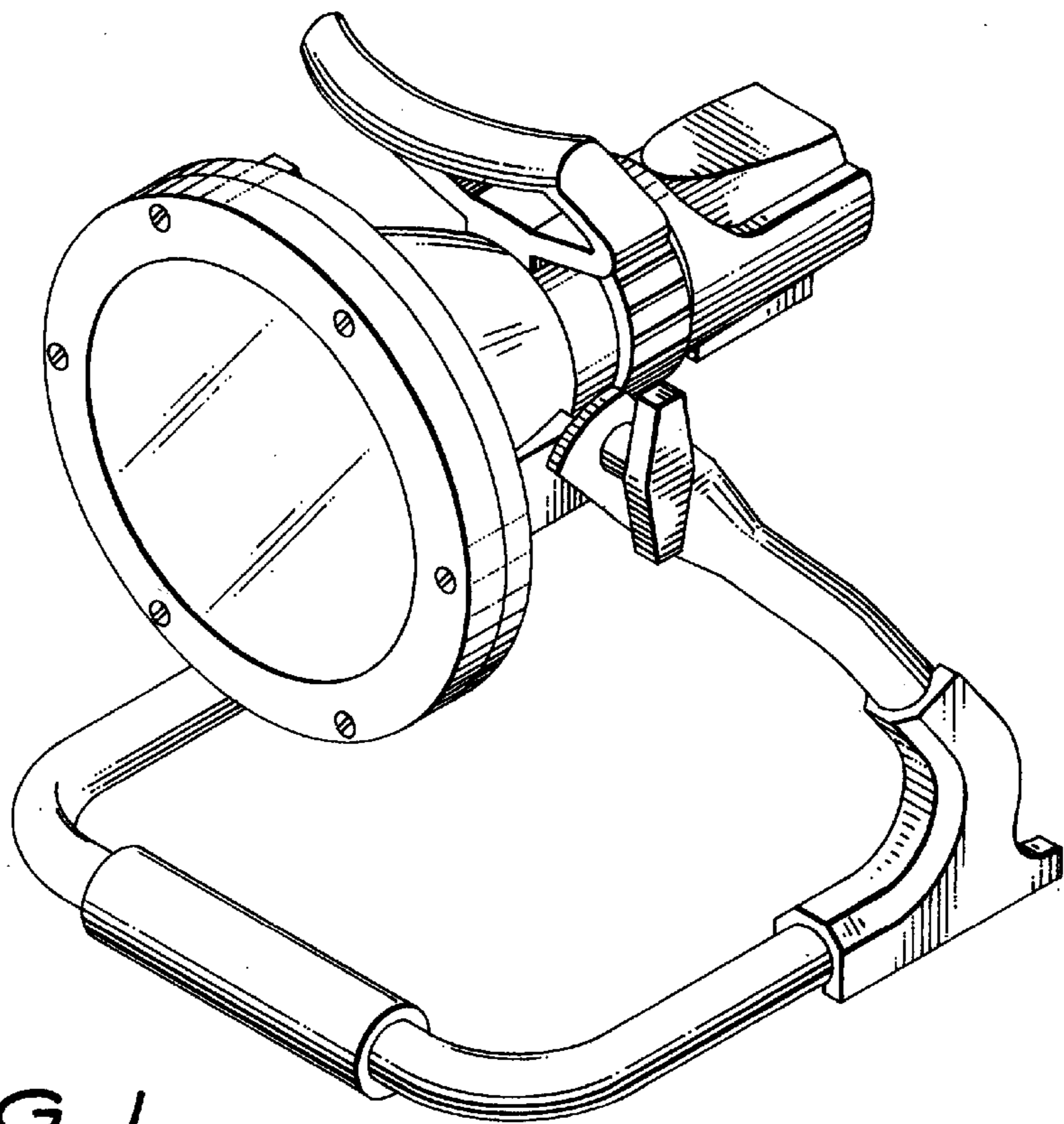


FIG. 1

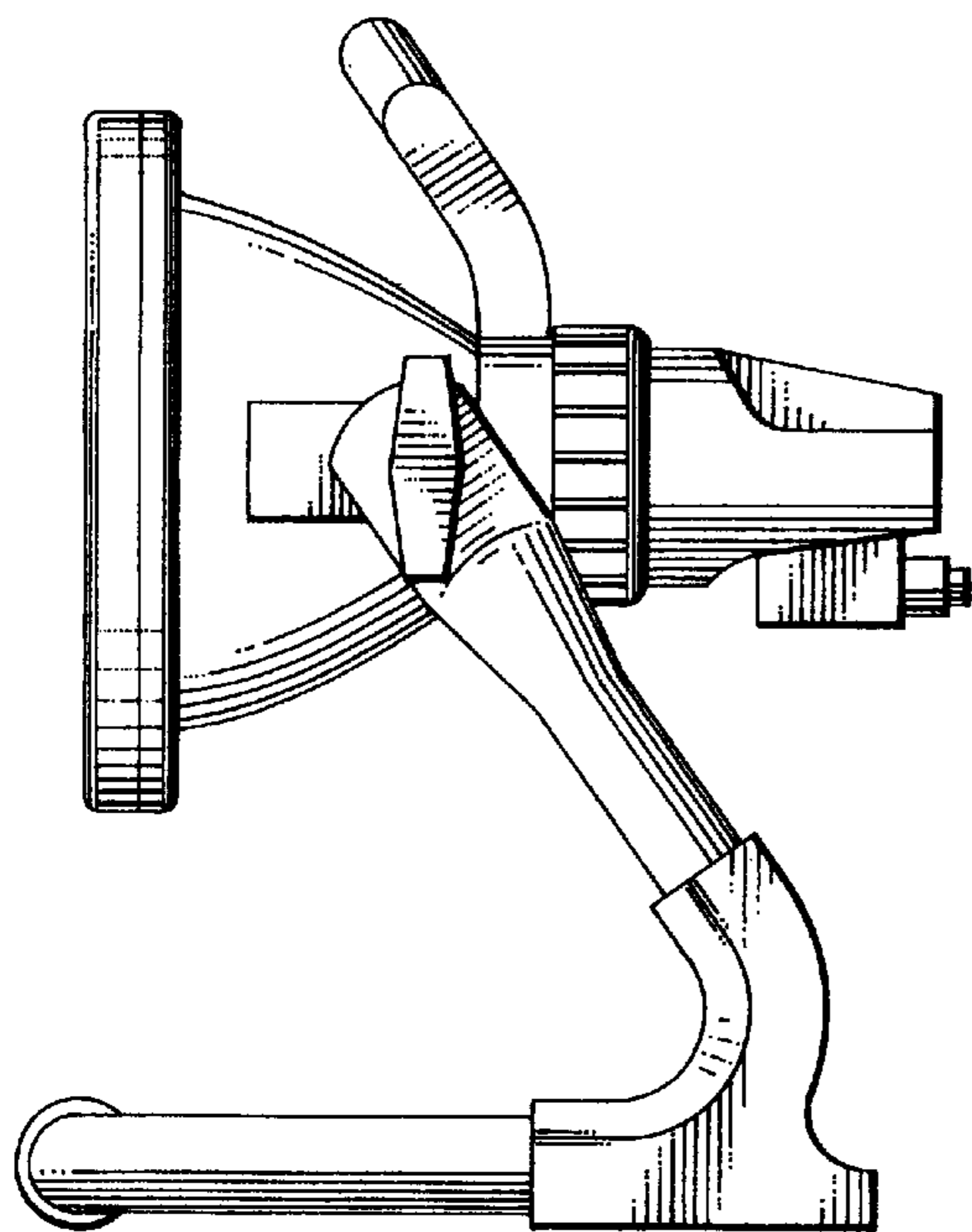


FIG. 2

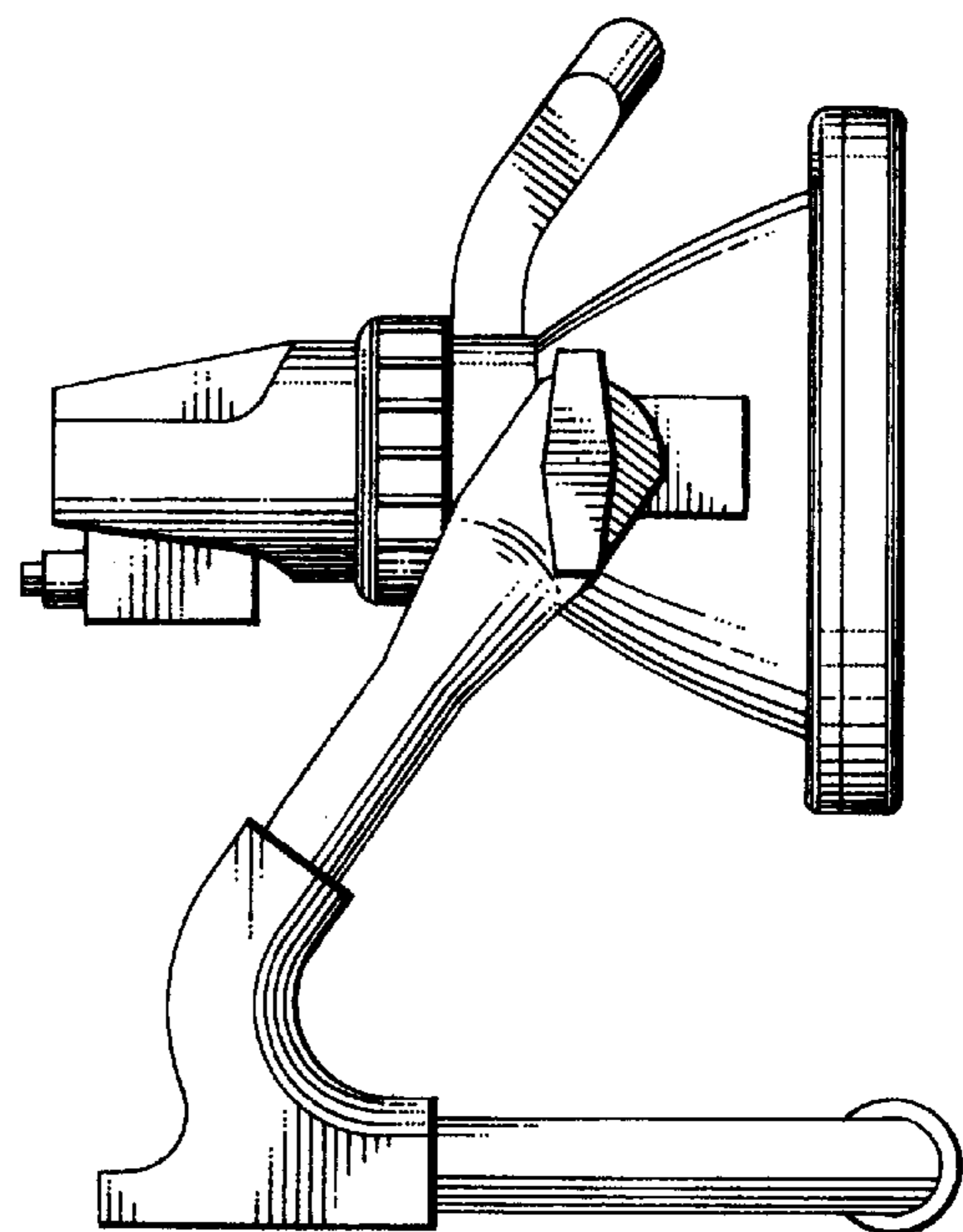


FIG. 3

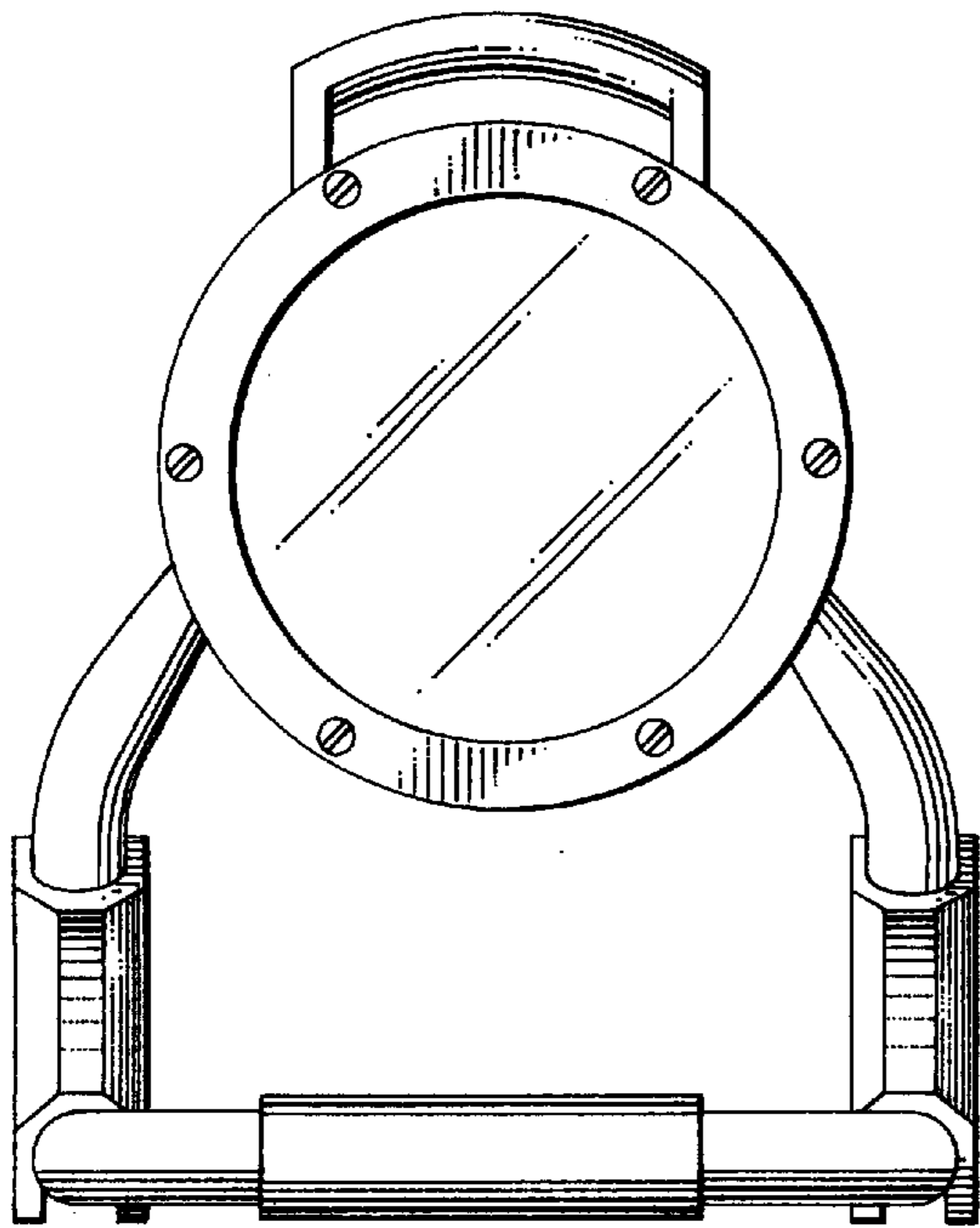


FIG. 4

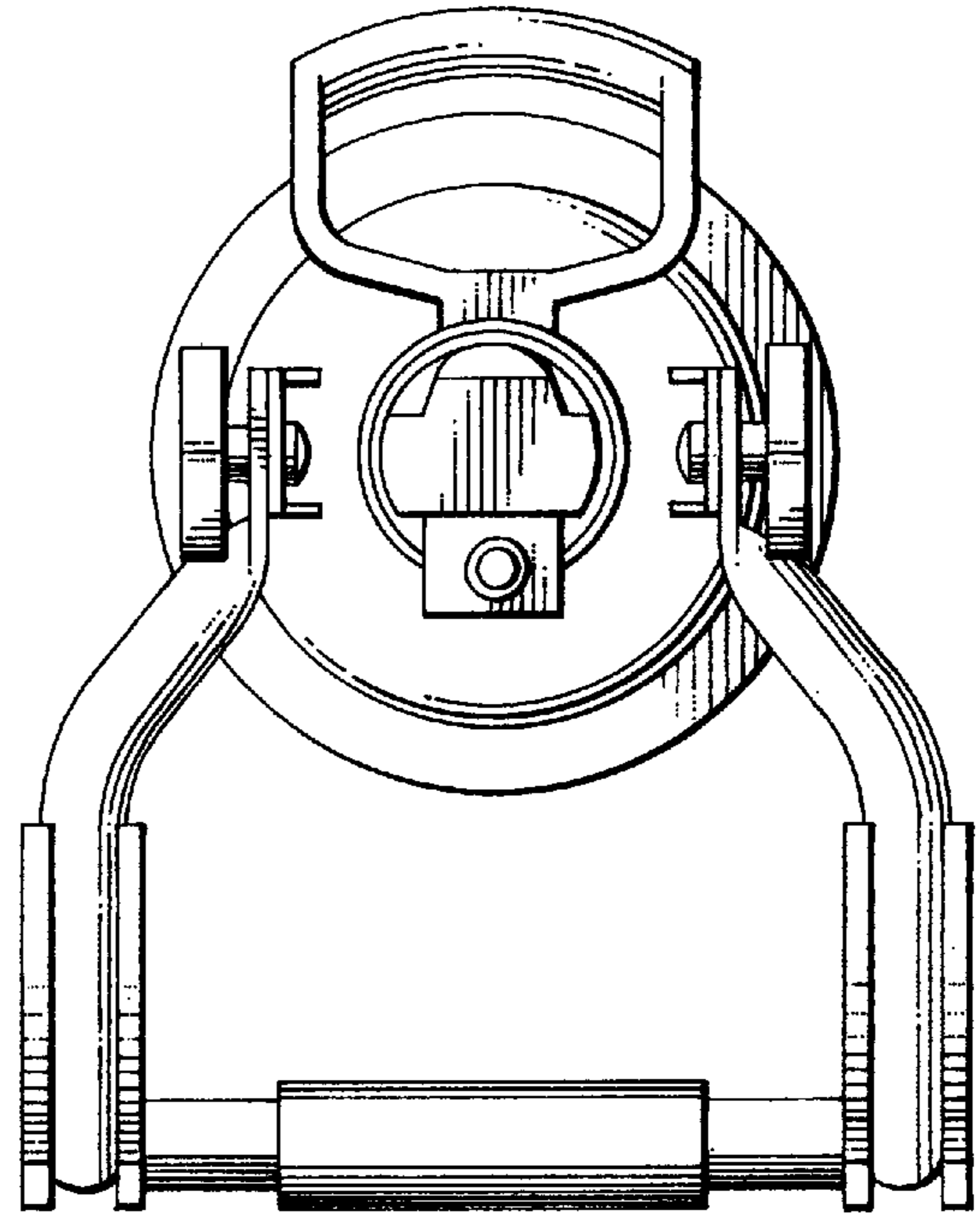


FIG. 5

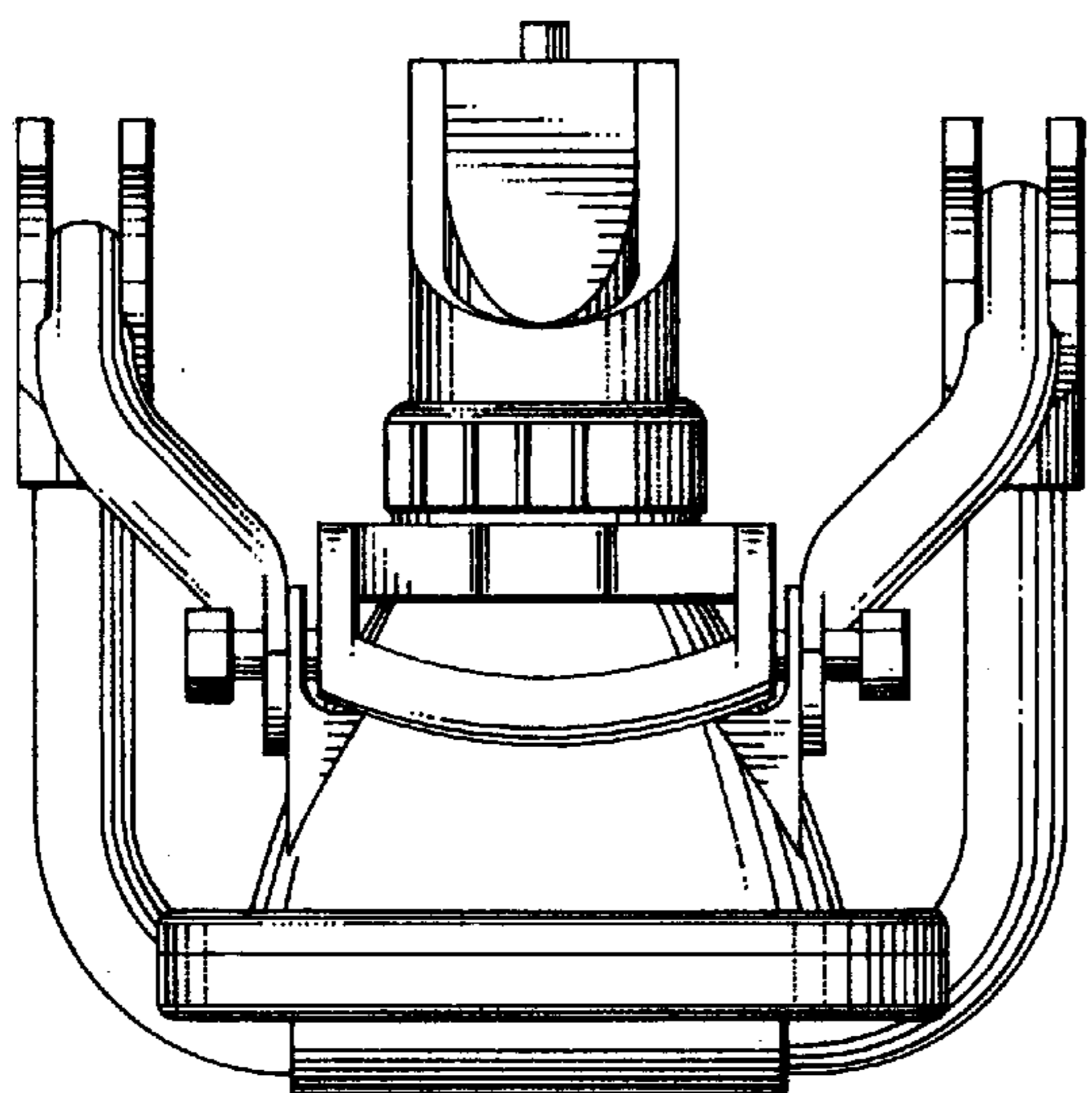


FIG. 6

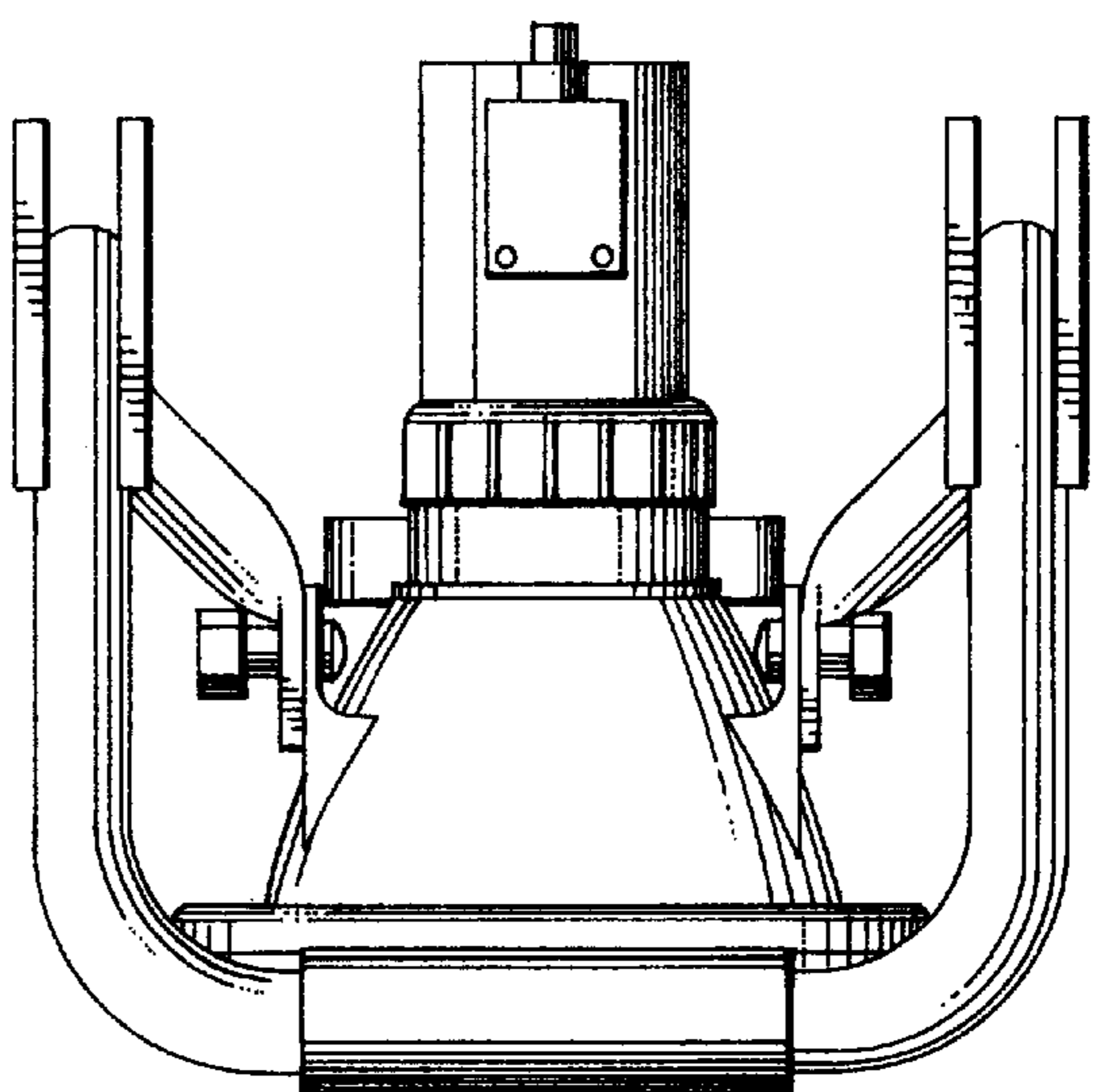


FIG. 7