



US00D446872B1

(12) **United States Design Patent**
Crescenzi et al.

(10) **Patent No.:** **US D446,872 S**

(45) **Date of Patent:** **** Aug. 21, 2001**

(54) **FLASHLIGHT**

(75) Inventors: **Deni Crescenzi**, King City; **Matt Hexemer**, Stroud, both of (CA)

(73) Assignee: **Fantom Technologies Inc.**, Welland (CA)

(**) Term: **14 Years**

(21) Appl. No.: **29/125,396**

(22) Filed: **Jun. 22, 2000**

(30) **Foreign Application Priority Data**

Dec. 22, 1999 (CA) 1999-3123

(51) **LOC (7) Cl.** **26-02**

(52) **U.S. Cl.** **D26/46**

(58) **Field of Search** D26/37-50; 362/157,
362/158, 183-208

(56) **References Cited**

U.S. PATENT DOCUMENTS

D. 355,040 * 1/1995 Dalton et al. D26/46

D. 424,224 * 5/2000 Petterson D26/46

* cited by examiner

Primary Examiner—Marcus A. Jackson

(74) *Attorney, Agent, or Firm*—Philip C. Mendes da Costa;
Bereskin & Parr

(57) **CLAIM**

The ornamental Design for a flashlight, as described and shown.

DESCRIPTION

FIG. 1 is a perspective view from the front and one side of a first embodiment of the flashlight;

FIG. 2 is a perspective view from the rear and the other side of the flashlight of FIG. 1;

FIG. 3 is a top plan view of the of the flashlight of FIG. 1;

FIG. 4 is a side elevation view of the flashlight of FIG. 1, the other side is a mirror image of this view;

FIG. 5 is a front elevation view of the flashlight of FIG. 1;

FIG. 6 is a rear elevation view of the flashlight of FIG. 1;

FIG. 7 is a bottom plan view of the of the flashlight of FIG. 1;

FIG. 8 is a perspective view from the front and one side of an alternate embodiment of the flashlight of FIG. 1;

FIG. 9 is a perspective view from the rear and the other side of the flashlight of FIG. 8;

FIG. 10 is a top plan view of the of the flashlight of FIG. 8;

FIG. 11 is a side elevation view of the flashlight of FIG. 8, the other side is a mirror image of this view;

FIG. 12 is a front elevation view of the flashlight of FIG. 8;

FIG. 13 is a rear elevation view of the flashlight of FIG. 8;

and,

FIG. 14 is a bottom plan view of the of the flashlight of FIG. 8.

1 Claim, 7 Drawing Sheets

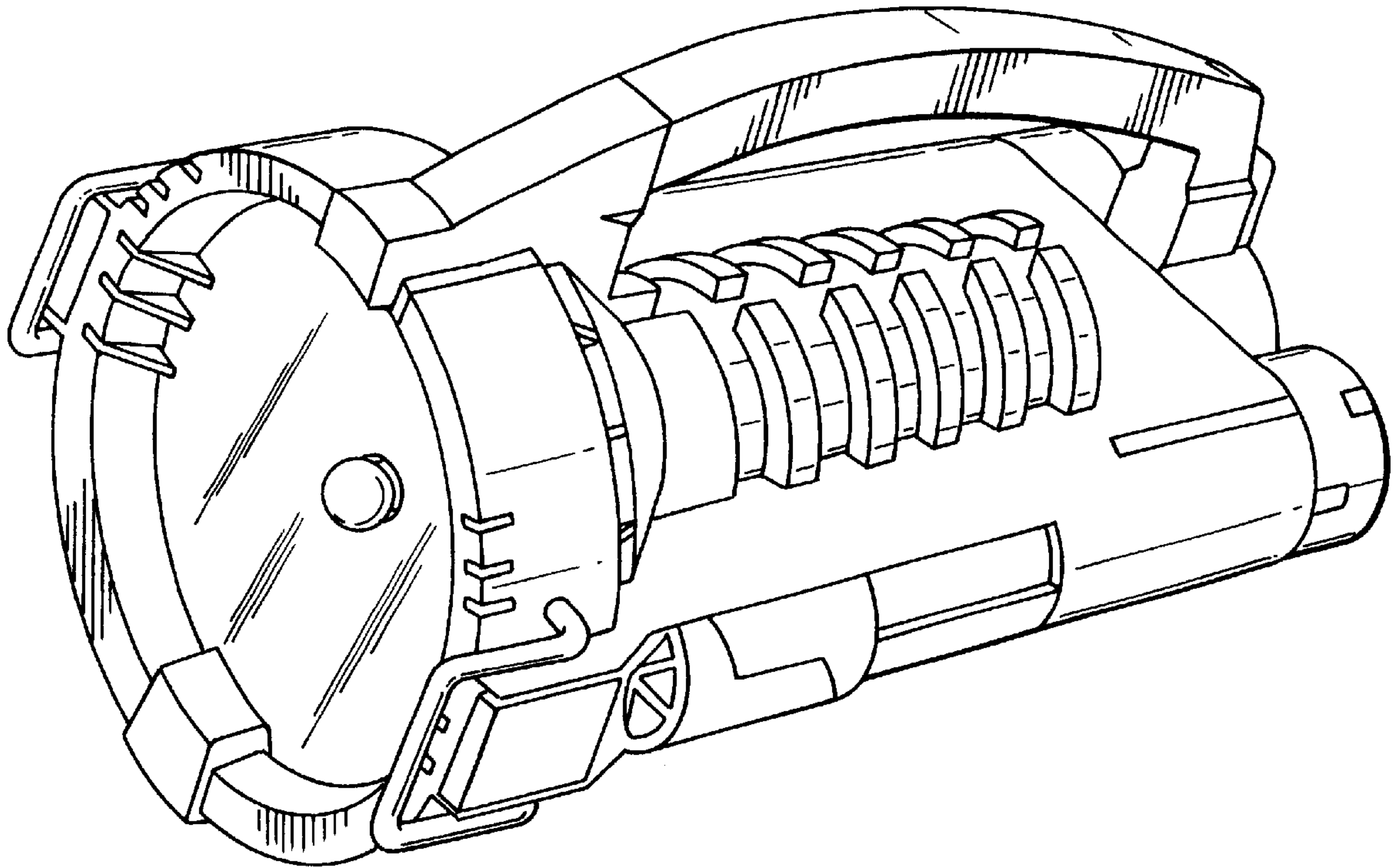


FIG. 1.

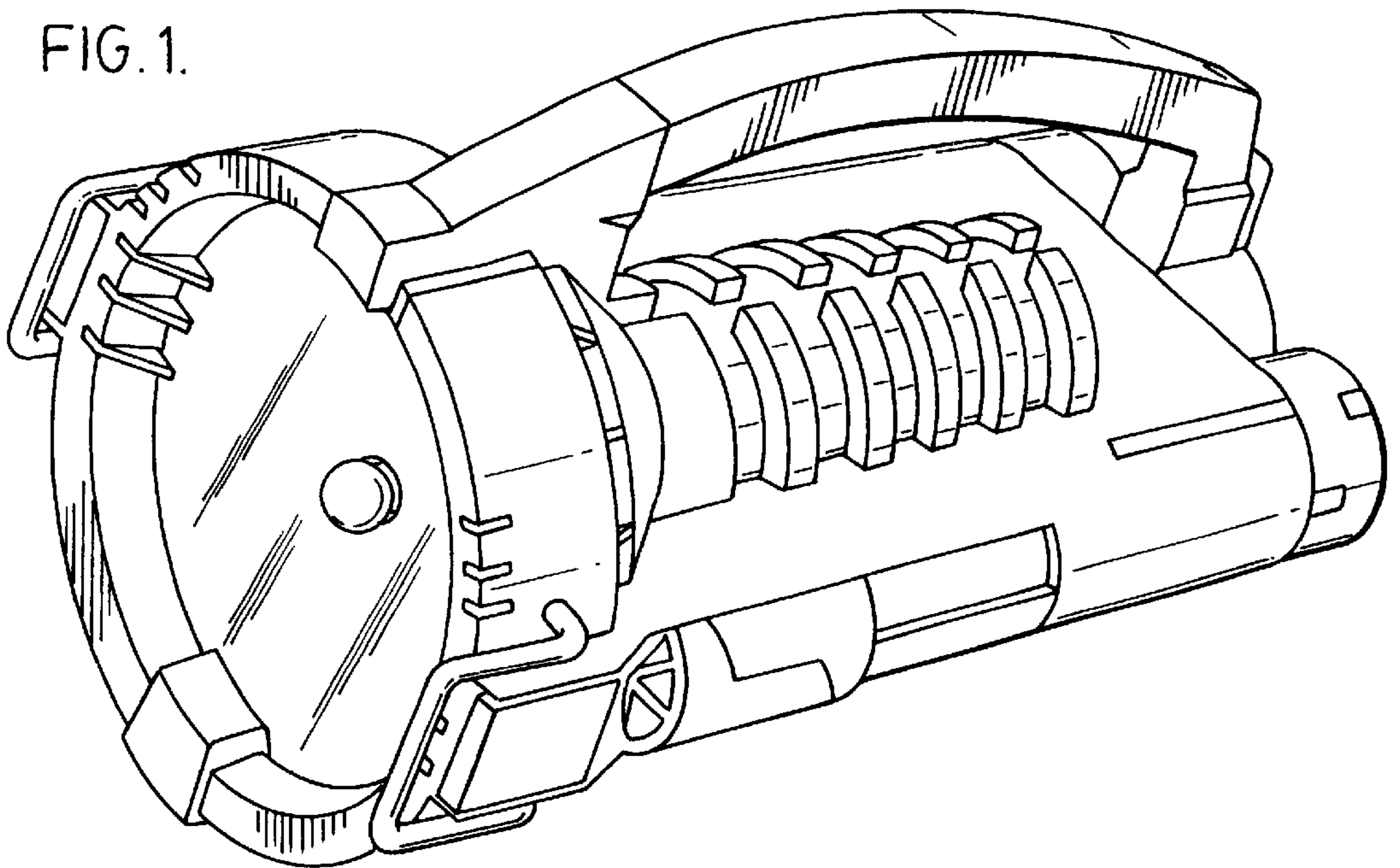


FIG. 2.

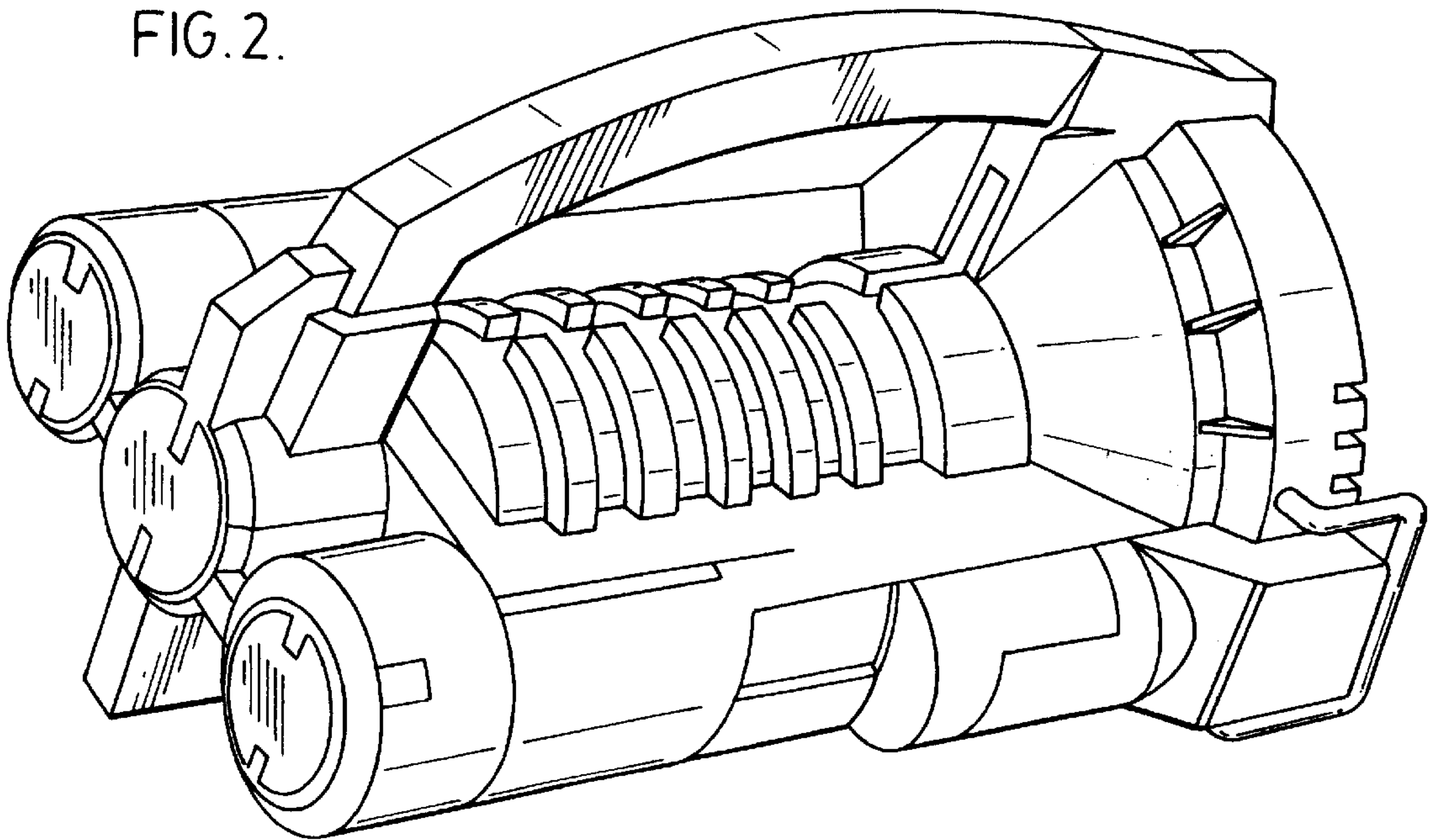


FIG. 3.

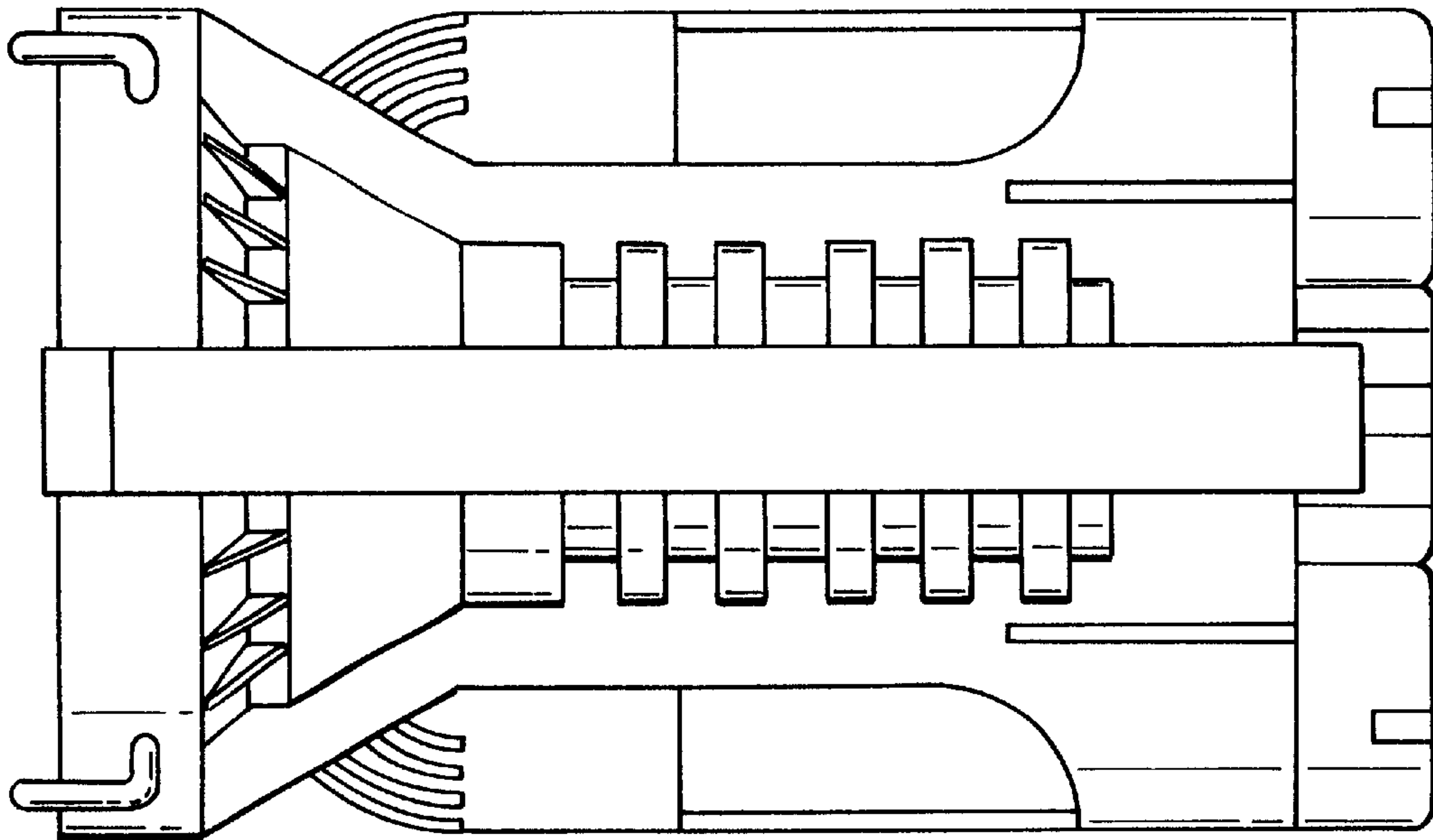
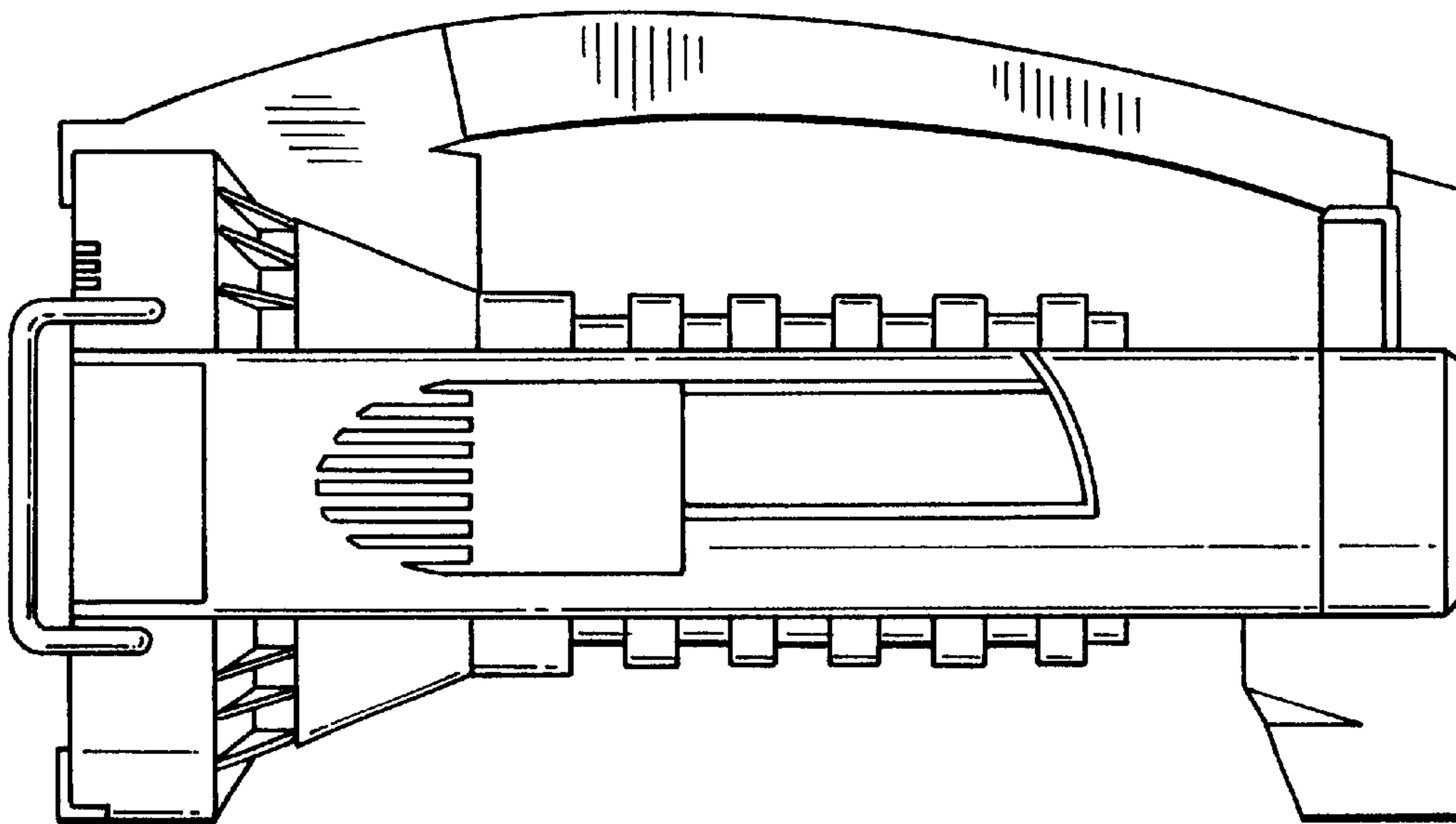


FIG. 4.



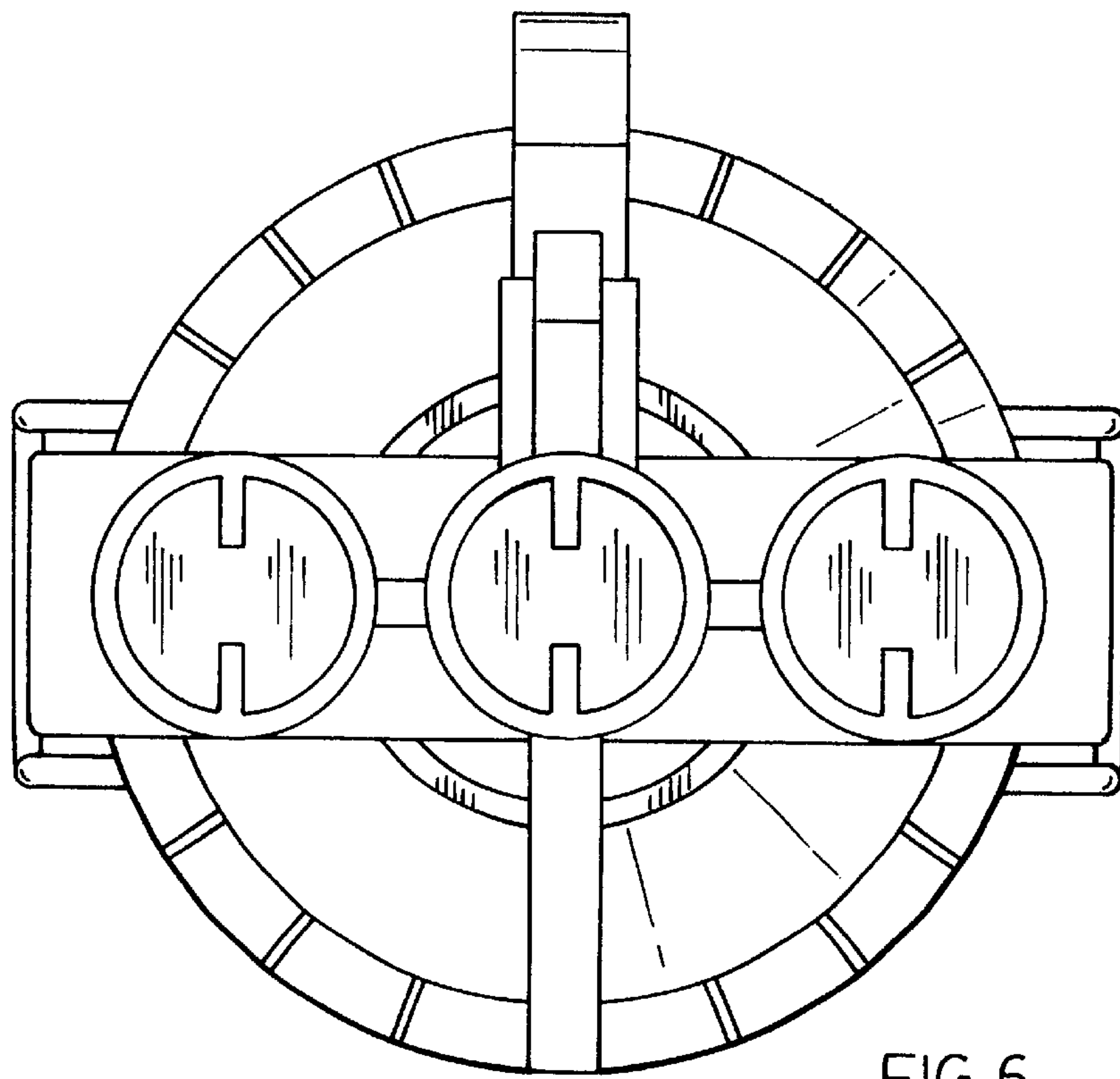


FIG. 6.

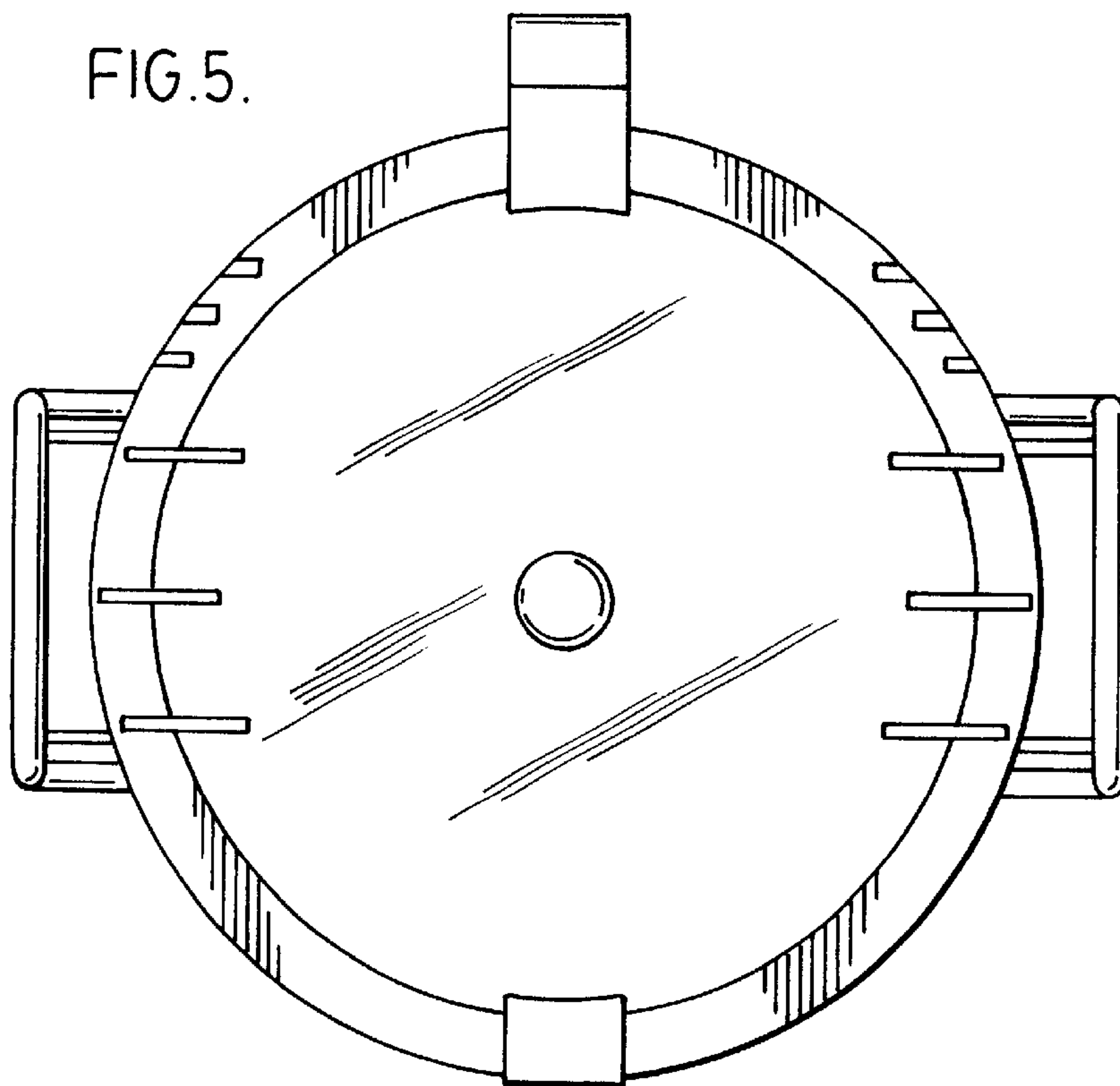


FIG. 5.

FIG. 7.

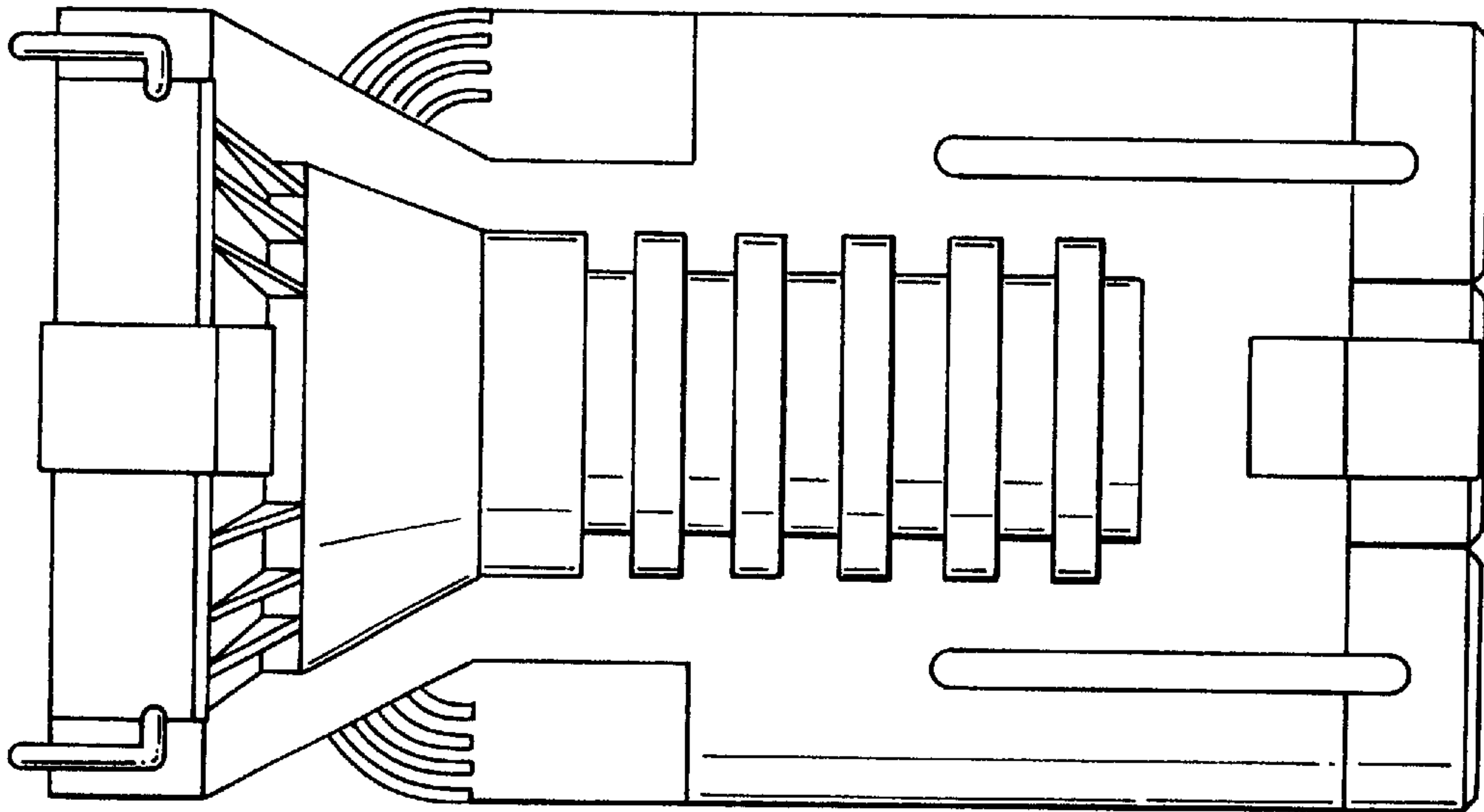


FIG. 8.

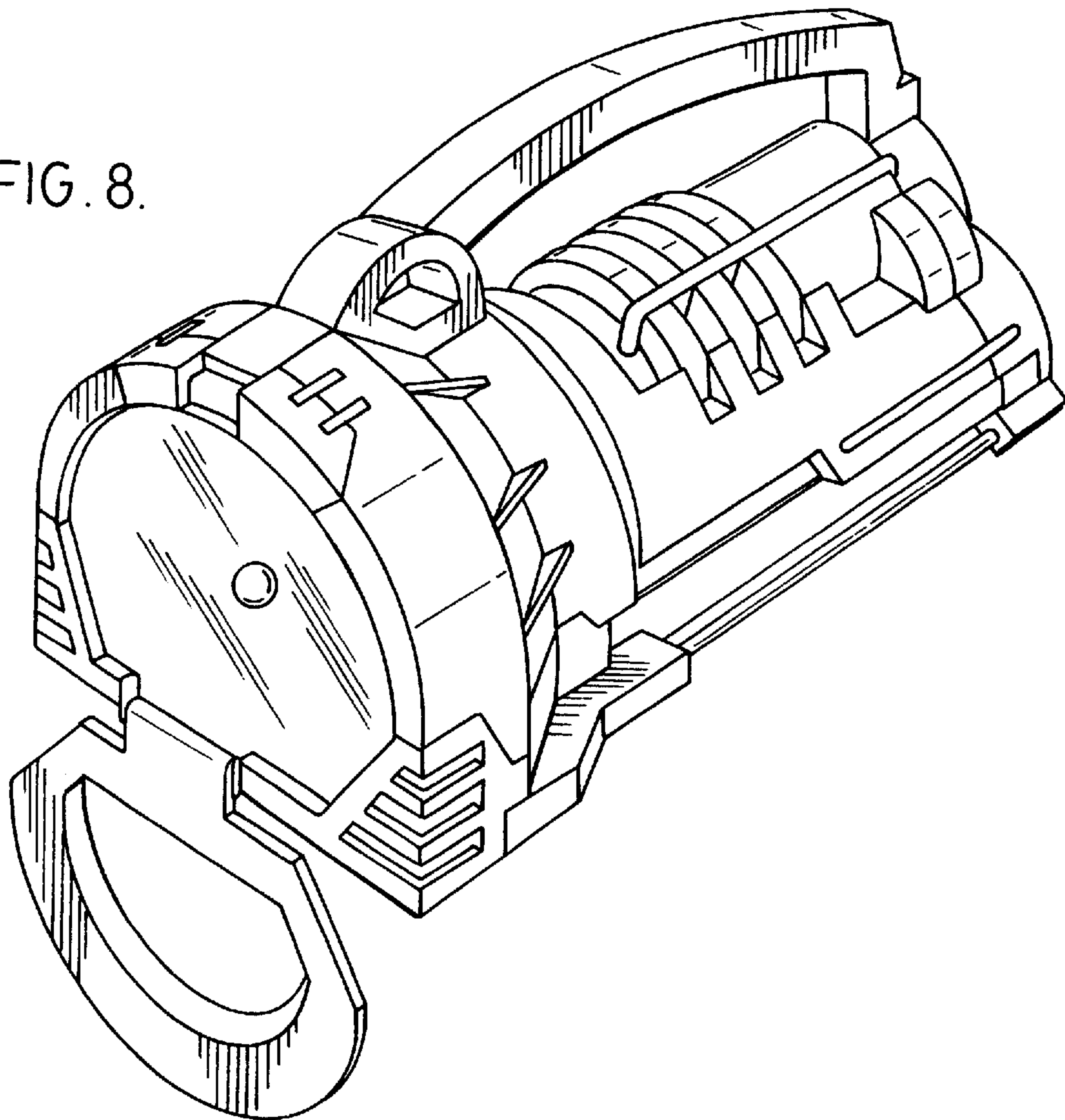


FIG. 9.

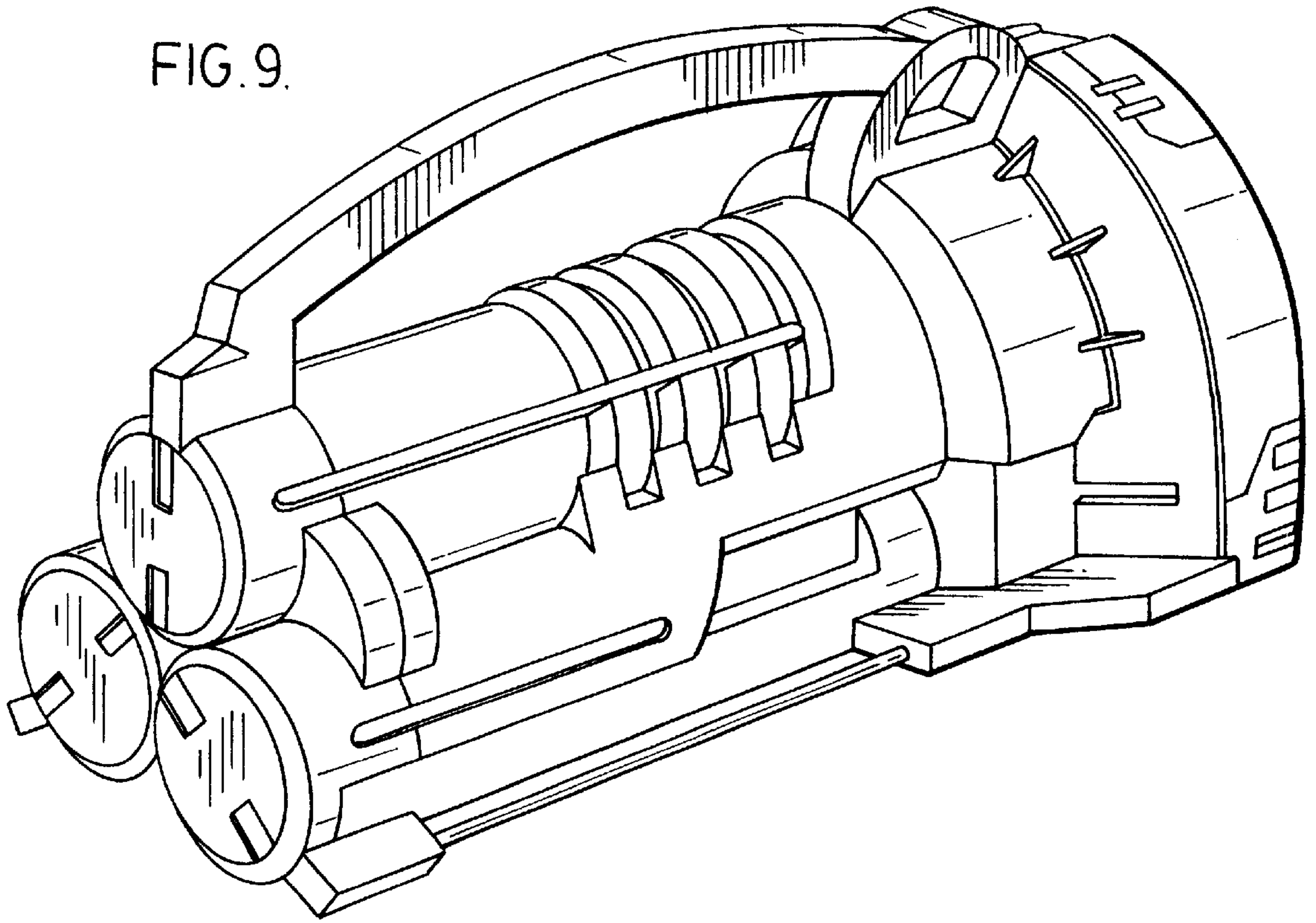


FIG. 10.

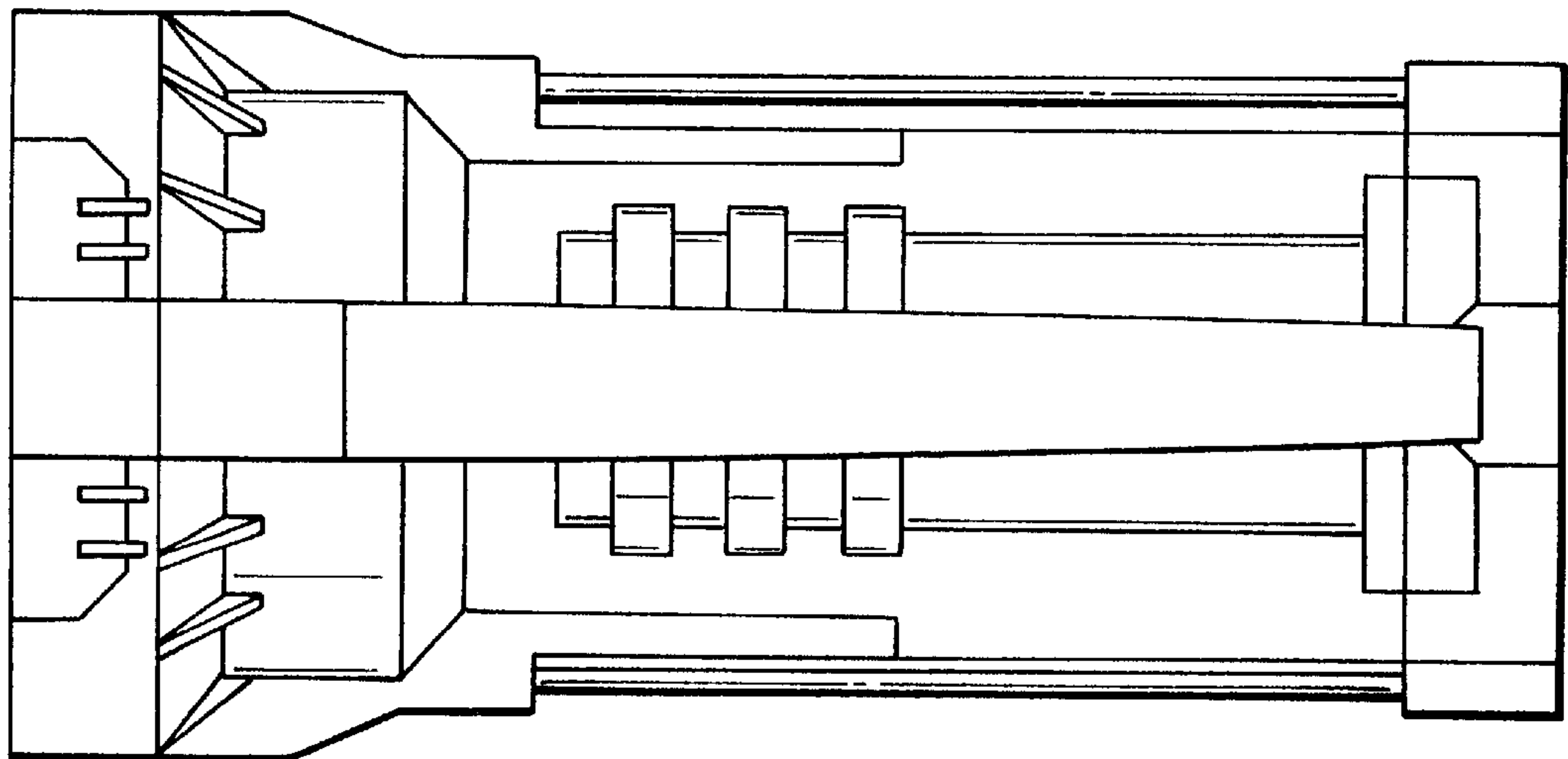


FIG. 11.

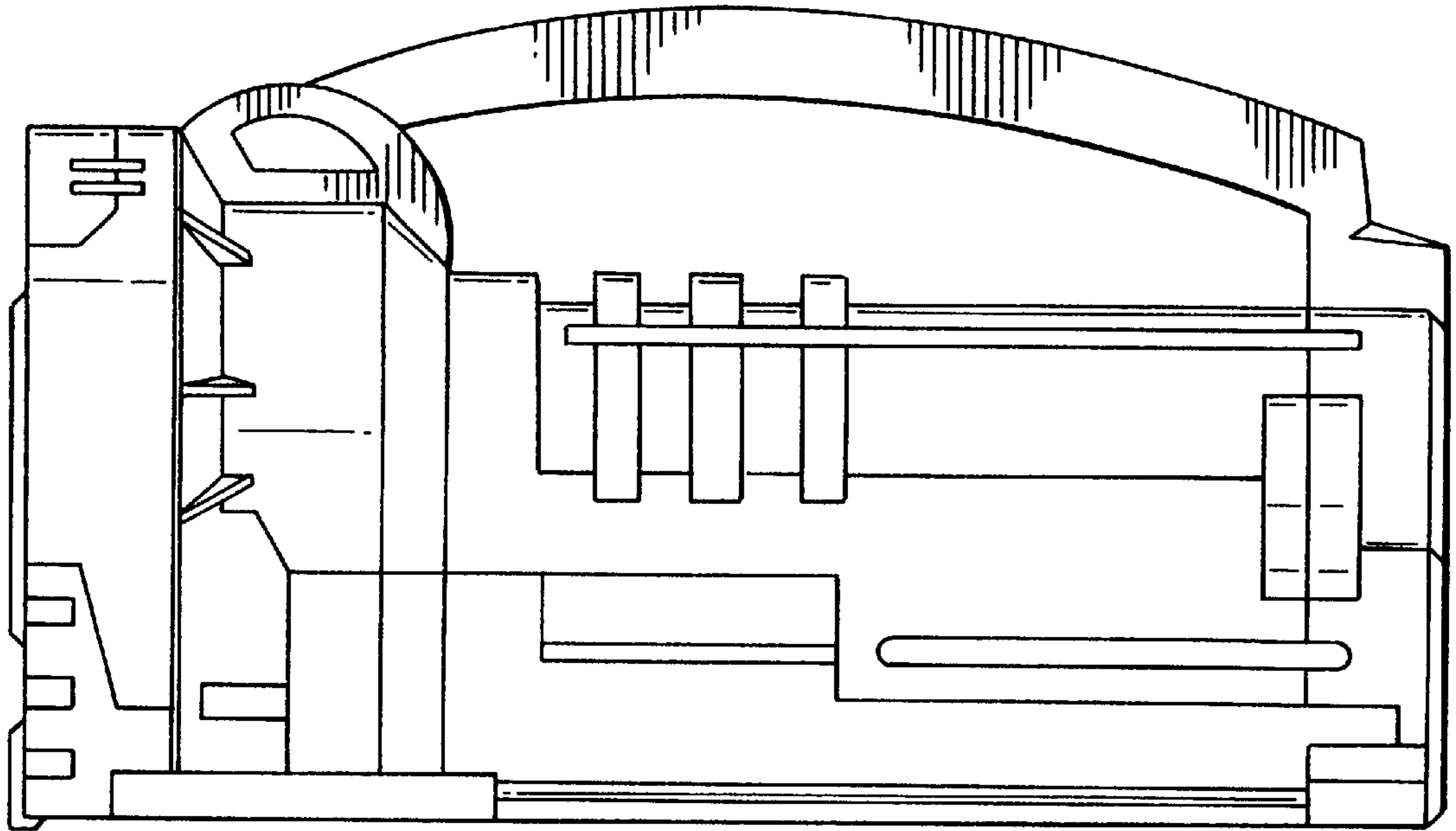


FIG. 12.

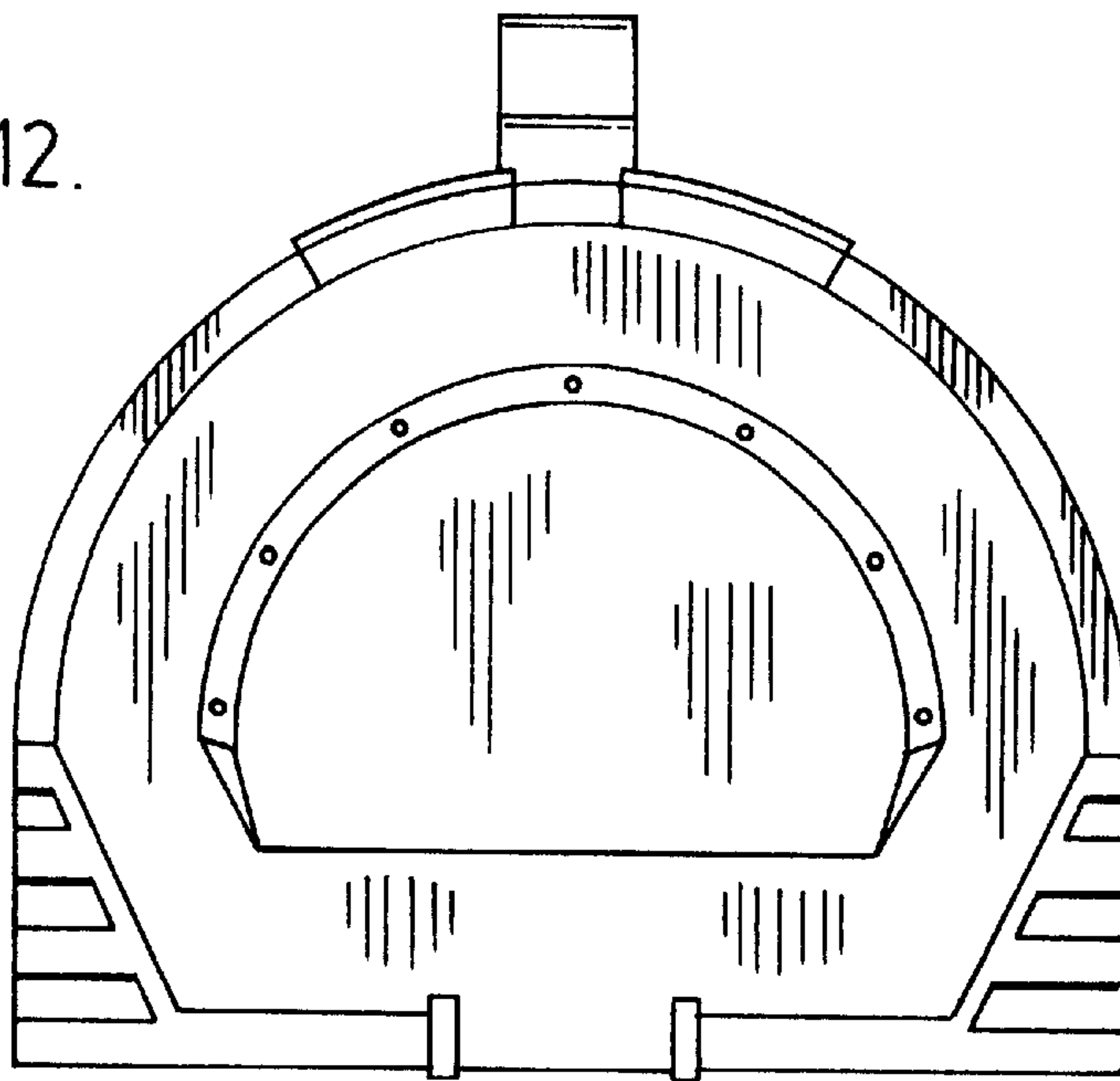


FIG. 13.

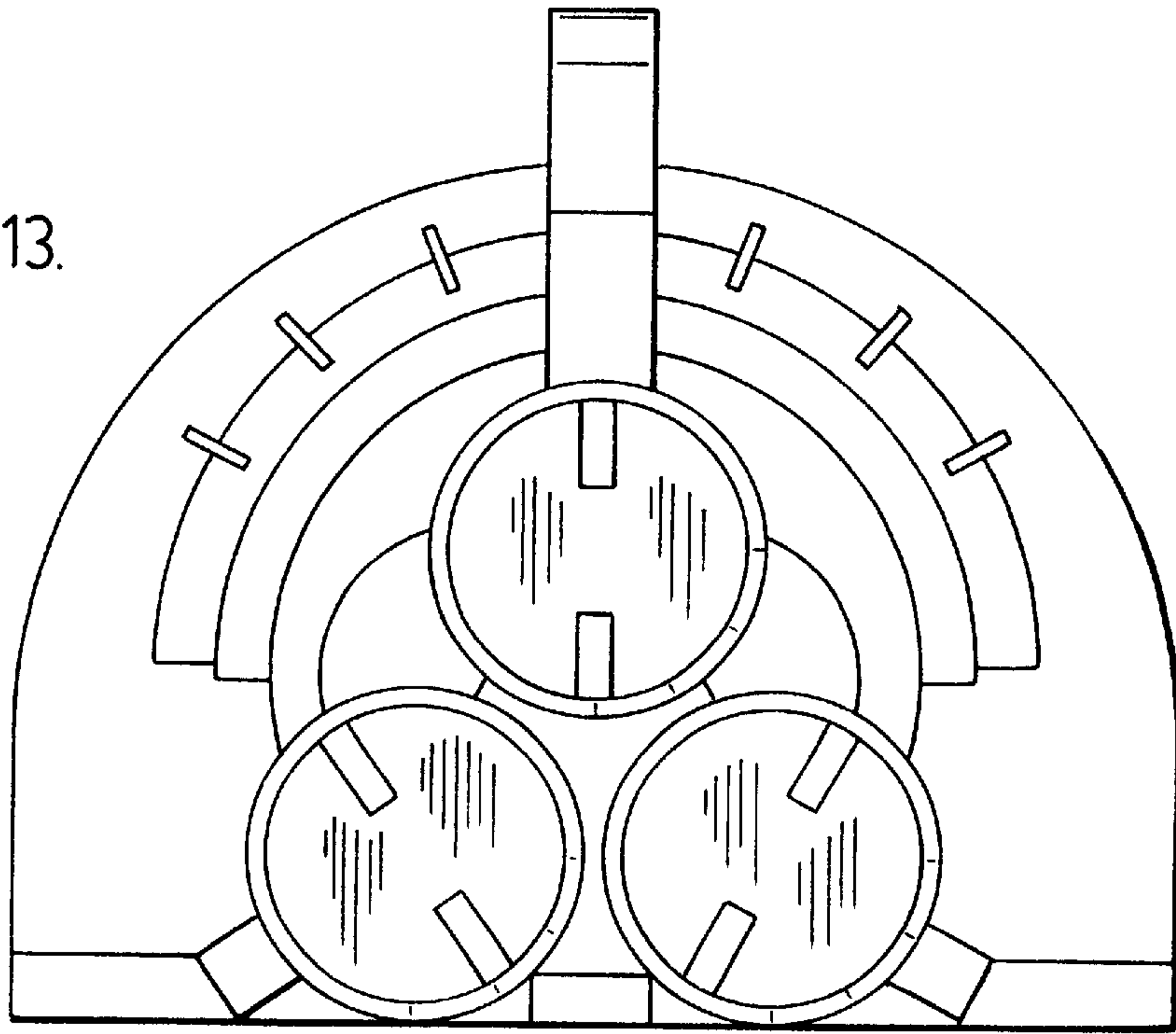


FIG. 14.

