



US00D446868B1

(12) **United States Design Patent**
Schwartz et al.

(10) **Patent No.:** **US D446,868 S**

(45) **Date of Patent:** **** Aug. 21, 2001**

(54) **INJECTION MOLDED STAKE**

(75) **Inventors:** **Carl I. Schwartz; Richard C. Kruyer,**
both of Grand Blanc; **Richard A.**
Gauthier, Marlette, all of MI (US)

(73) **Assignee:** **Plastics Research Corporation,** Flint,
MI (US)

(**) **Term:** **14 Years**

(21) **Appl. No.:** **29/129,251**

(22) **Filed:** **Sep. 8, 2000**

(51) **LOC (7) Cl.** **25-01**

(52) **U.S. Cl.** **D25/131**

(58) **Field of Search** D25/126, 131;
256/DIG. 5, 50, 51, 54, 58; 135/118, 907;
248/508, 500, 501-507; 47/442, 44 L, 44 W,
45, 46 R, 47, 47 R, 47 F, 47 S, 47 L; D26/67;
D8/1, 545, 840; 52/155, 166

(56) **References Cited**

U.S. PATENT DOCUMENTS

D. 164,994	10/1951	Johannesen .	
D. 218,582	9/1970	Kiester .	
D. 230,218	1/1974	Freiling .	
D. 243,614	3/1977	Russo .	
D. 287,098	12/1986	Wilson .	
D. 303,339	9/1989	Allen .	
D. 332,819	1/1993	Crowe .	
D. 333,526 *	2/1993	Taylor	D25/131
D. 346,036	4/1994	Garber .	
D. 359,570	6/1995	Garber .	
D. 377,076	12/1996	Adams .	

D. 380,569 *	7/1997	Garber	D26/67
D. 381,892	8/1997	Porter .	
D. 383,969	9/1997	Adams .	
D. 423,626	4/2000	Marino .	
3,788,336	1/1974	Steffes .	
4,185,424	1/1980	Streit .	
4,455,795	6/1984	Cole .	
4,699,165	10/1987	Barzana .	
4,801,128	1/1989	Taylor .	
5,158,258	10/1992	McFadzean .	
5,226,829 *	7/1993	Jones	135/118
5,524,309	6/1996	La Barbera .	
5,537,768	7/1996	Tesselaar .	

* cited by examiner

Primary Examiner—Doris Clark

(74) *Attorney, Agent, or Firm*—Brooks & Kushman P.C.

(57) **CLAIM**

The ornamental design for an injection molded stake, as shown and described.

DESCRIPTION

FIG. 1 is a front perspective view of the injected molded stake;

FIG. 2 is a top plan view of the injection molded stake;

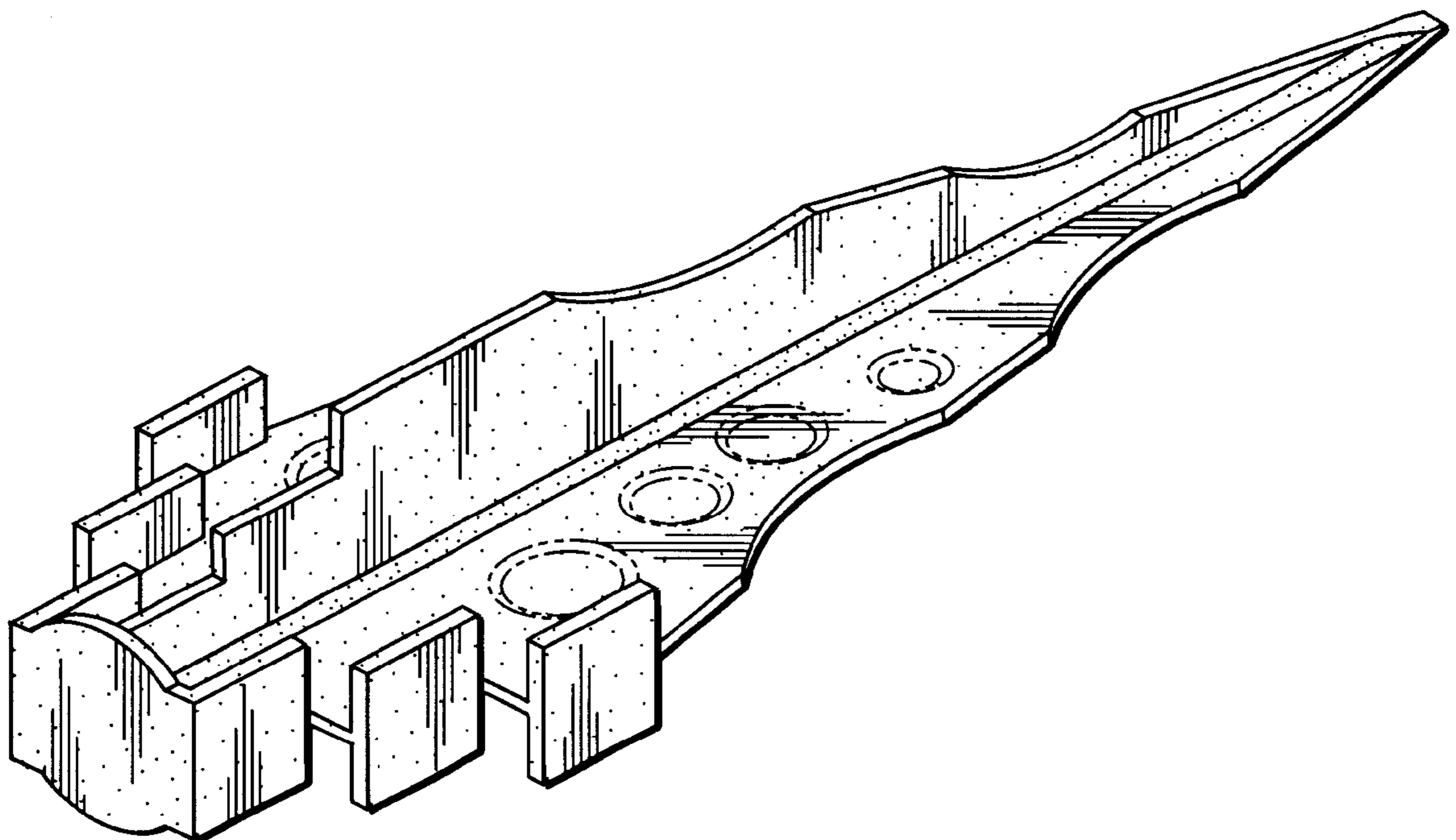
FIG. 3 is a bottom plan view of the injection molded stake;

FIG. 4 is a front view of the first embodiment of the injection molded stake, wherein the front and back are mirror images of the other; and,

FIG. 5 is a side view of the first embodiment of the injected molded stake, both sides being mirror images of the other.

The broken lines are for illustrative purposes only and form no part of the claimed design.

1 Claim, 1 Drawing Sheet



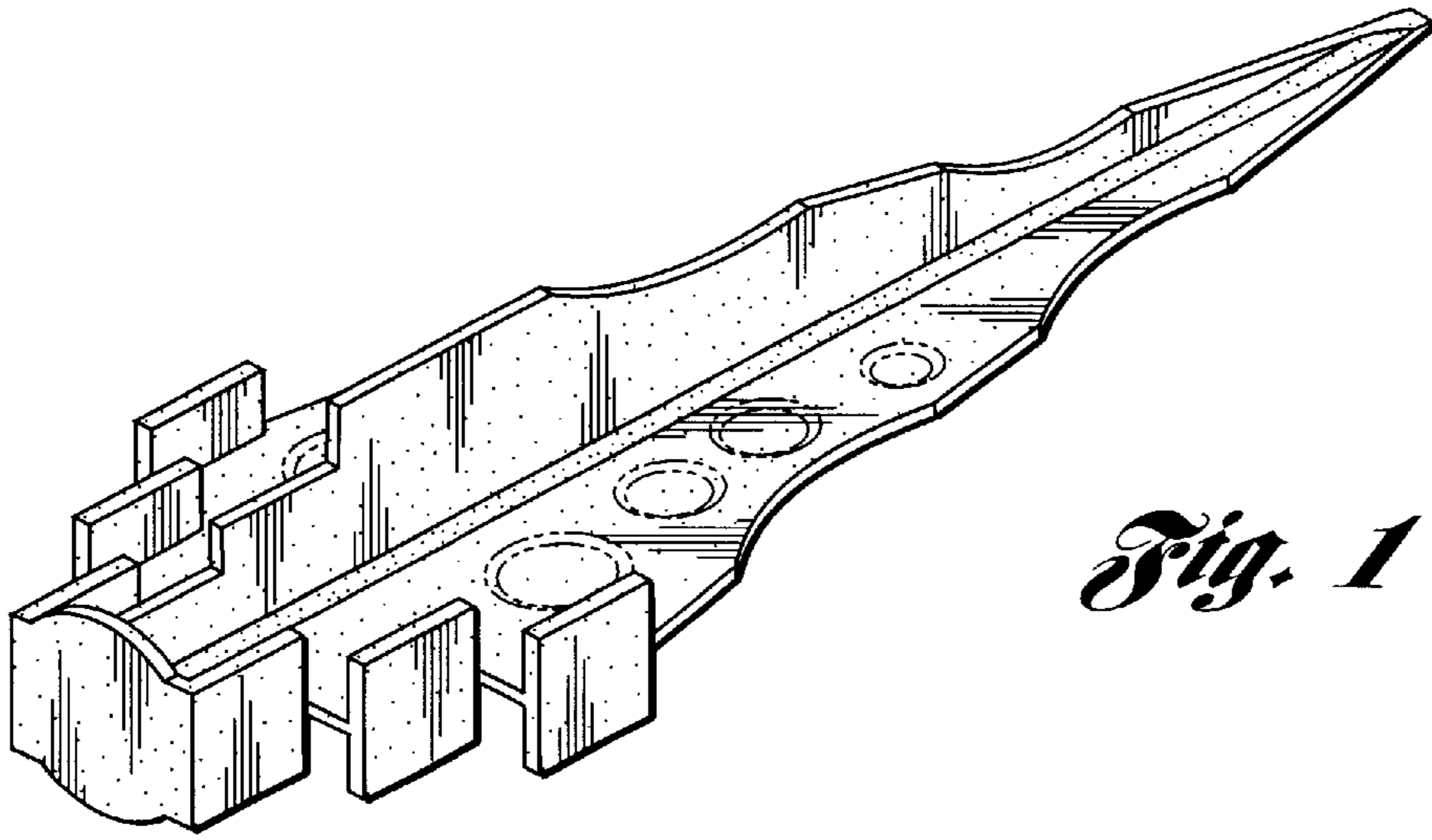


Fig. 1

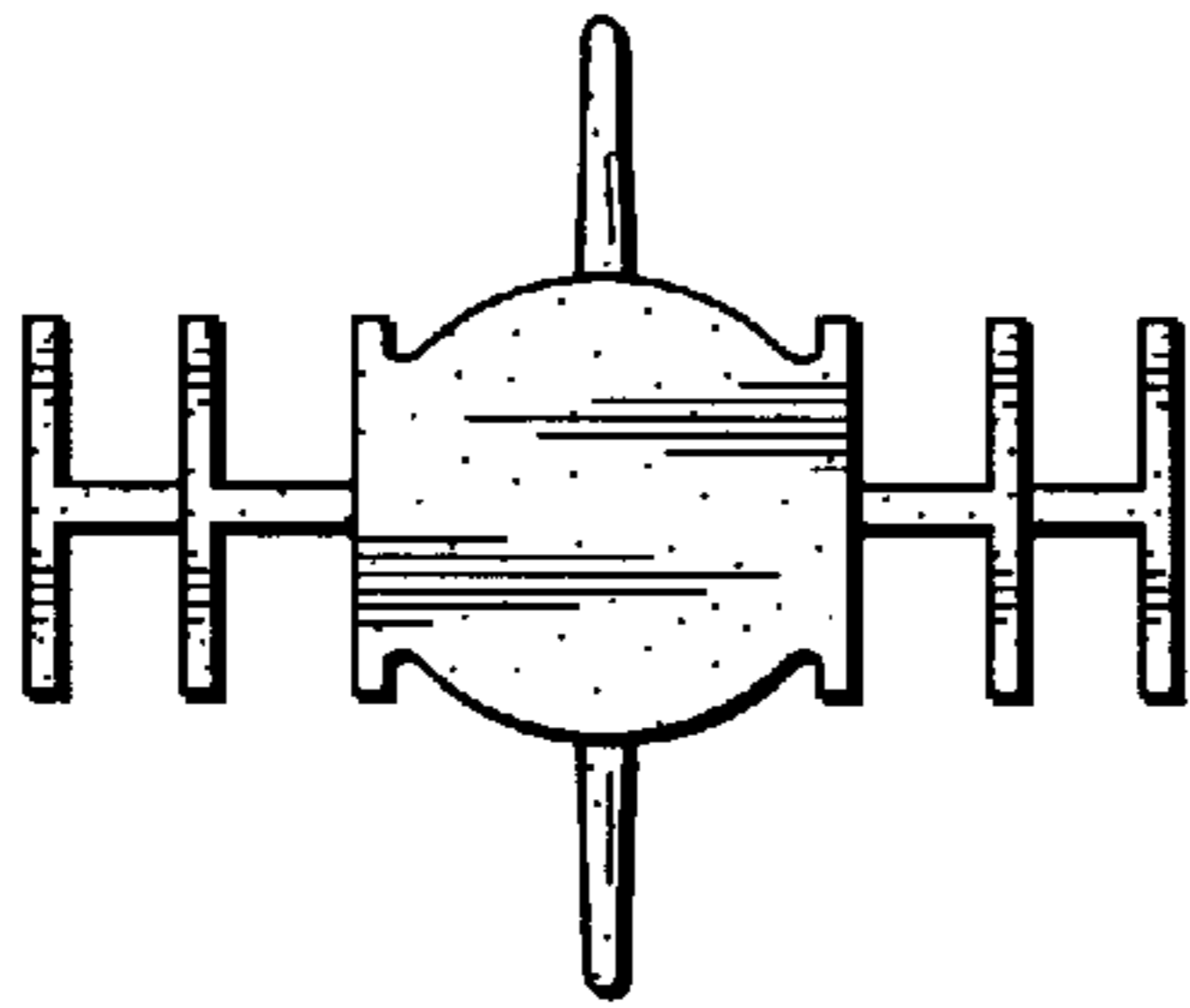


Fig. 2

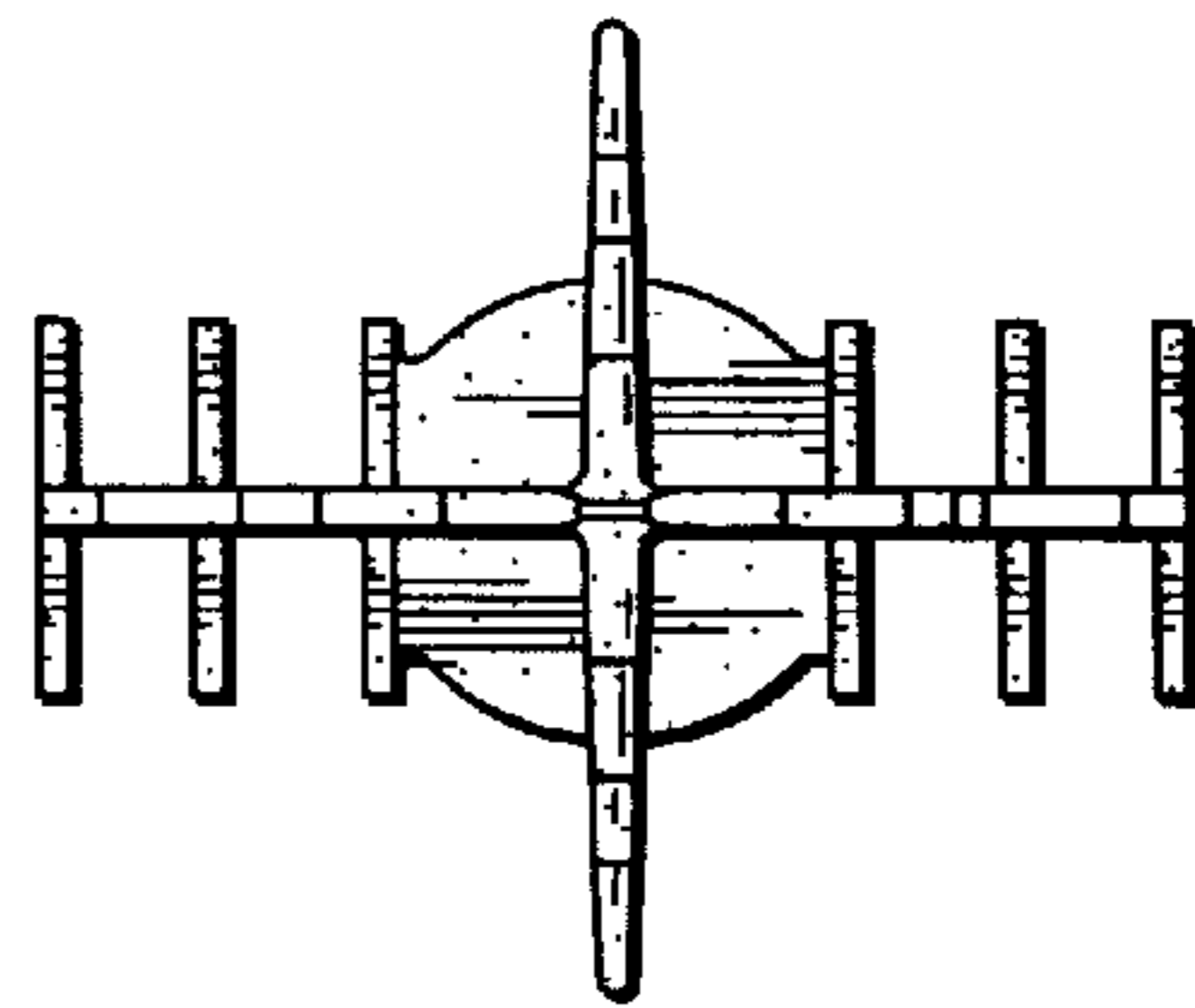


Fig. 3

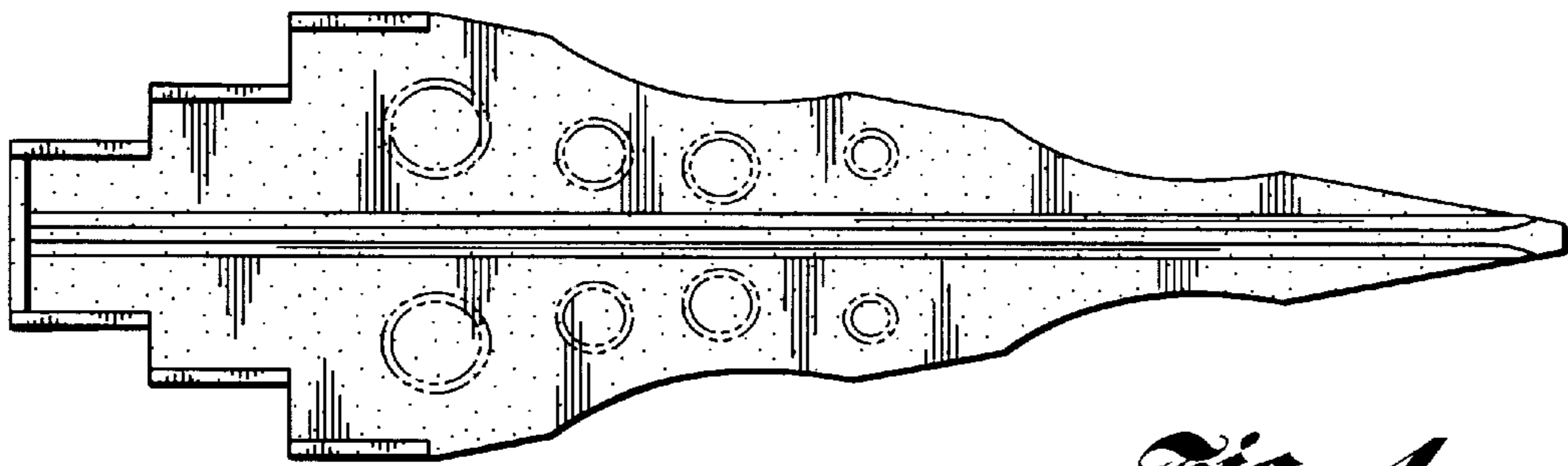


Fig. 4

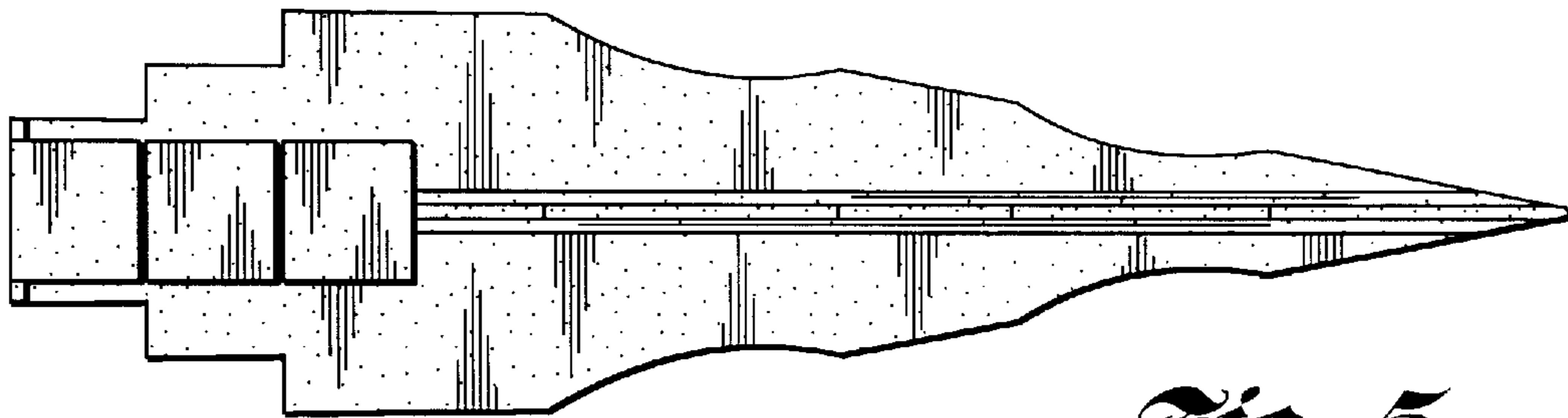


Fig. 5