



US00D446865B1

(12) **United States Design Patent**  
**Conway**

(10) **Patent No.:** **US D446,865 S**

(45) **Date of Patent:** **\*\* Aug. 21, 2001**

(54) **COLLECTION TUBE ASSEMBLY**

5,948,365 \* 9/1999 Macy et al. .... 422/102

(75) Inventor: **Hugh T. Conway**, Verona, NJ (US)

\* cited by examiner

(73) Assignee: **Becton Dickinson and Company**,  
Franklin Lakes, NJ (US)

*Primary Examiner*—Ian Simmons

(74) *Attorney, Agent, or Firm*—Nanette S. Thomas

(\*\*) Term: **14 Years**

(57) **CLAIM**

(21) Appl. No.: **29/128,430**

The ornamental design for a collection tube assembly, as shown and described.

(22) Filed: **Aug. 24, 2000**

**DESCRIPTION**

(51) **LOC (7) Cl.** ..... **24-02**

(52) **U.S. Cl.** ..... **D24/224; D24/216**

(58) **Field of Search** ..... D24/224, 216,  
D24/223; D9/341, 520, 570; 422/102, 104,  
101, 61, 58, 215, 103; 436/70, 809, 45,  
105; 220/4.27, 4.24; 40/663

FIG. 1 is a top and front perspective view of a collection tube assembly with a transparent top portion and an opaque bottom portion;

FIG. 2 is a top plan view of the collection tube assembly of FIG. 1;

FIG. 3 is a bottom plan view of the collection tube assembly of FIG. 1; and,

FIG. 4 is a side elevational view of the collection tube assembly of FIG. 1 the opposite side elevational being identical thereto.

(56) **References Cited**

**U.S. PATENT DOCUMENTS**

D. 357,985 \* 5/1995 Burns ..... D24/224  
5,924,594 \* 7/1999 Kelly ..... 422/102

**1 Claim, 3 Drawing Sheets**

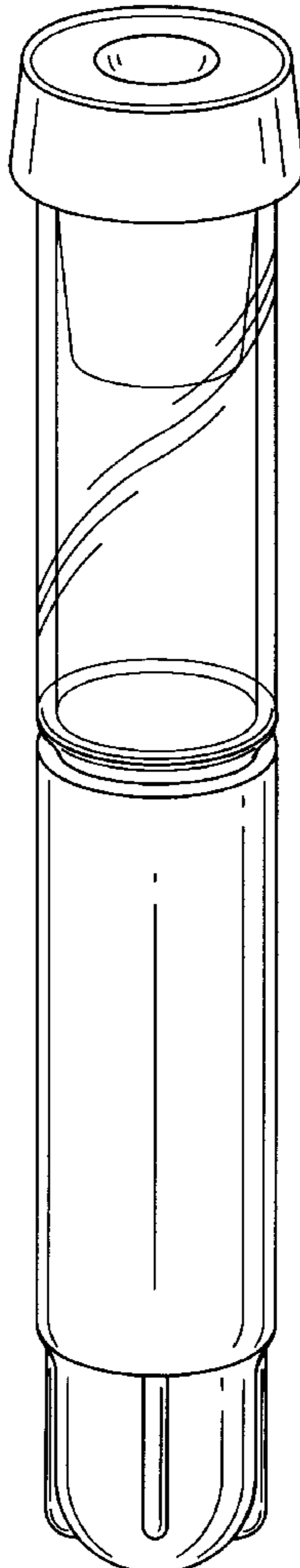


FIG. 1

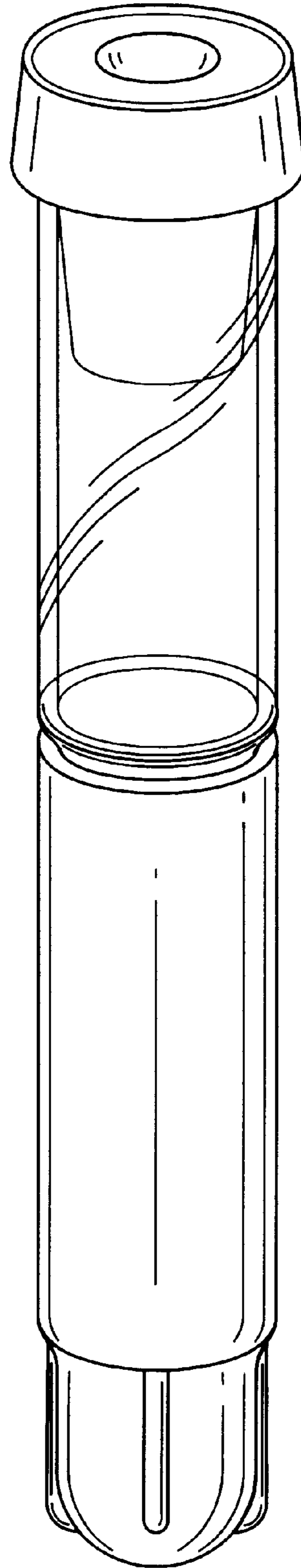


FIG. 2

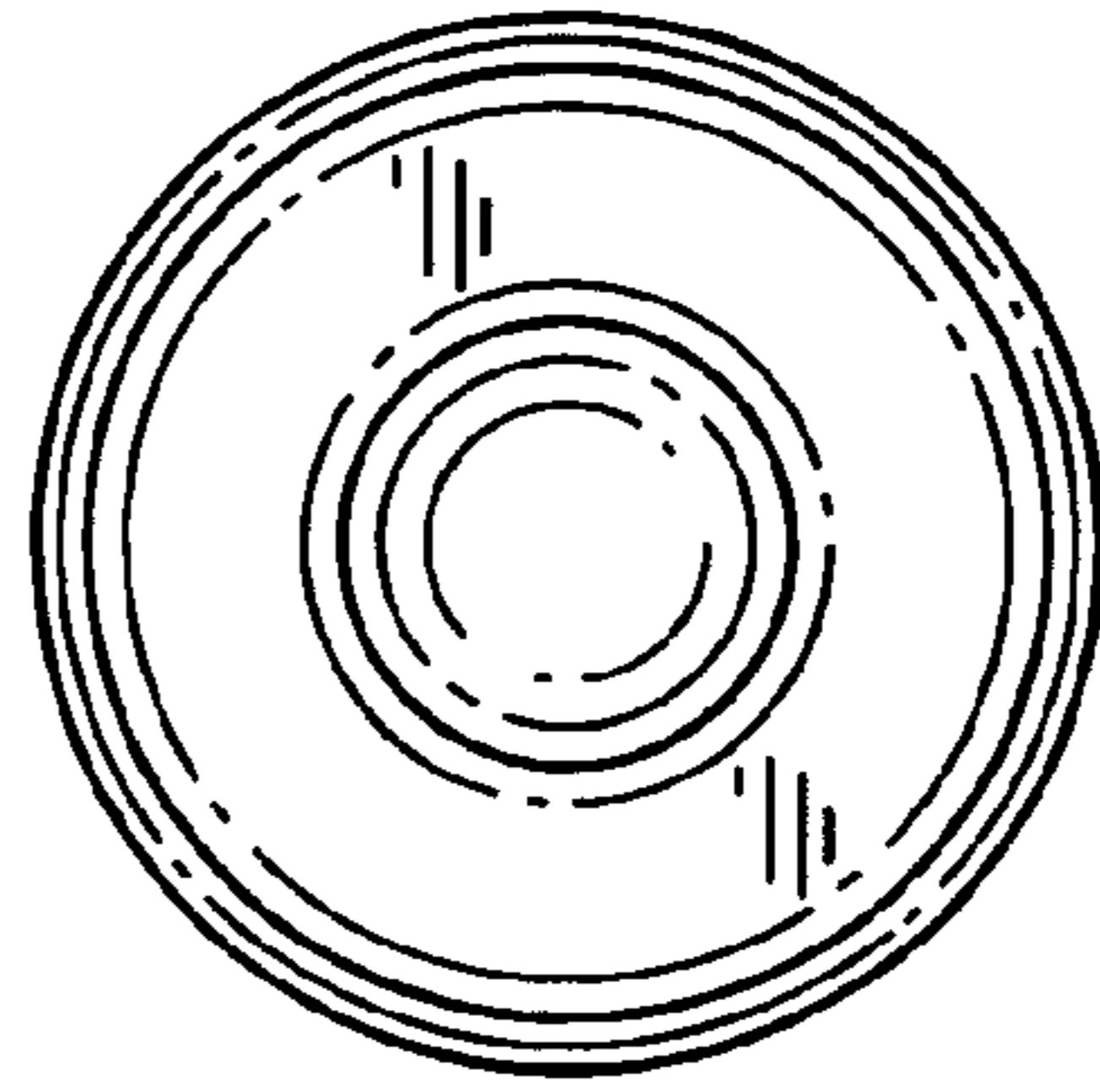


FIG. 3

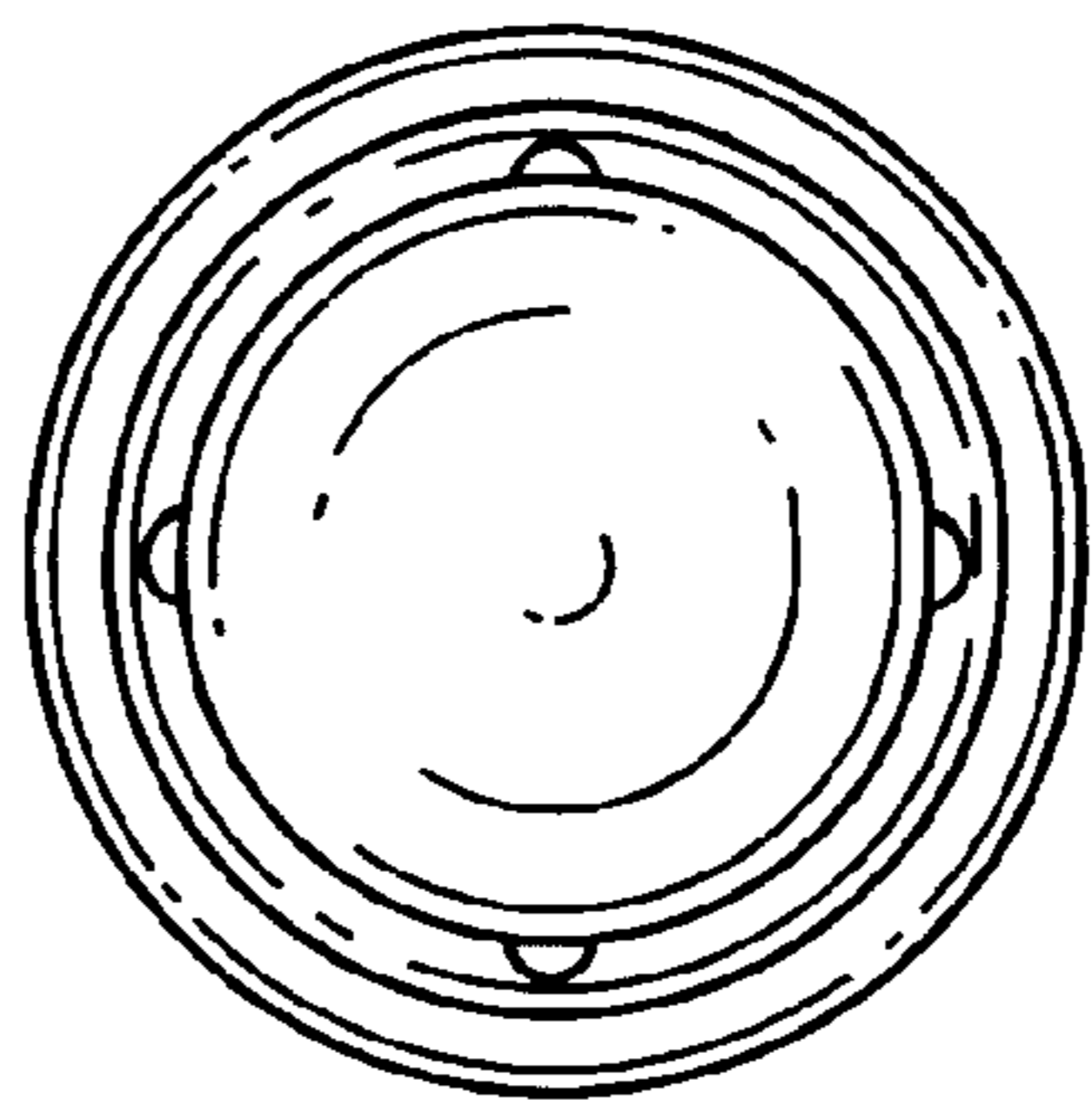


FIG. 4

