



US00D446860B1

(12) **United States Design Patent** (10) **Patent No.:** **US D446,860 S**
Mezière et al. (45) **Date of Patent:** **** Aug. 21, 2001**

(54) **DIALYSIS MONITOR**

(75) Inventors: **Cyril Mezière**, Bron (FR); **Vicenzo Baraldi**, Quistello; **Marco Paraluppi**, Medolla, both of (IT)

(73) Assignee: **Hospal AG**, Basel (CH)

(**) Term: **14 Years**

(21) Appl. No.: **29/133,139**

(22) Filed: **Nov. 21, 2000**

(30) **Foreign Application Priority Data**

May 22, 2000 (XH) DM/051905

(51) **LOC (7) Cl.** **24-01**

(52) **U.S. Cl.** **D24/169**

(58) **Field of Search** D24/169; 600/473, 600/475, 476; 604/29, 34, 83, 66; 210/646, 645, 321.71, 321.75

(56) **References Cited**

U.S. PATENT DOCUMENTS

D. 383,842	*	9/1997	Kenley et al.	D24/169
D. 389,916	*	1/1998	DiPerna et al.	D24/169
D. 406,894		3/1999	Menhennett et al. .	
4,381,003	*	4/1983	Buoncrisiani	604/29
4,585,436	*	4/1986	Davis et al.	604/29
4,756,706	*	7/1988	Kerns et al.	604/66
5,326,476		7/1994	Grogan et al. .	
5,641,144		6/1997	Hendrickson et al. .	

OTHER PUBLICATIONS

Fresenius, "Computer Modeling System 08, CMS 08," (Machine in use prior Nov. 21, 1999).

Fresenius, "The Clinical Use of Electrolyte- And UF-Variation By the Computer Modeling System CMS 08" pp. 1-9 (Edition 1/86, machine in use prior Nov. 21, 1999).

Gambro Renal Care Products, Inc. "COBE Centrysystem 3 Dialysis Control Unite Operator's Manual," Section 1 pp. 1-1-1-63 (May 1999).

NHS Procurement Directorate, Evaluation No. 32, "Haemodialysis Equipment Fresenius CMS 08," pp1-8 (Sep. 1990). Hospal, Integra Brochure, "The Hospal Vision Of The Future In Dialysis Monitoring" (Oct. 1999).

Hospal, Integra Alpha Brochure "The Hospal Vision Of The Future In Dialysis Monitoring" (Mar. 1997).

Hospal, Quantiscan Brochure "Automated Partial Dialysis Collection For Direct Dialysis Quantification" (Oct. 1999).

Hospal, Prisma Brochure "The First Integrated System For Continuous Fluid Management And Automated Renal Replacement Therapy," (Jan. 1999).

Gambro Lundia AB, AK 95 Brochure "Simplicity by Gambro" Sep. 1996.

Gambro Lundia AB, AK 95 Brochure, "AK 95 Simplicity" Jun. 2000, (Machine in use prior Nov. 21, 1999).

Gambro Lundia AB, AK 2000 Brochure, "AK 2000 Reliability" Jun. 2000.

Gambro Lundia AB, AK 2000 Ultra Brochure, "AK 2000 Ultra Pioneering" Jun. 2000.

Cordis Dow Corp, Seratron Brochure "Seratron Dialysis Control System," Oct. 1979.

* cited by examiner

Primary Examiner—Stella Reid

(74) *Attorney, Agent, or Firm*—Edna M. O'Connor

(57) **CLAIM**

The ornamental design for a dialysis monitor, substantially as shown and described.

DESCRIPTION

FIG. 1 is a perspective view of a dialysis monitor showing our new design;

FIG. 2 is a front view thereof;

FIG. 3 is a rear view thereof;

FIG. 4 is a side view thereof;

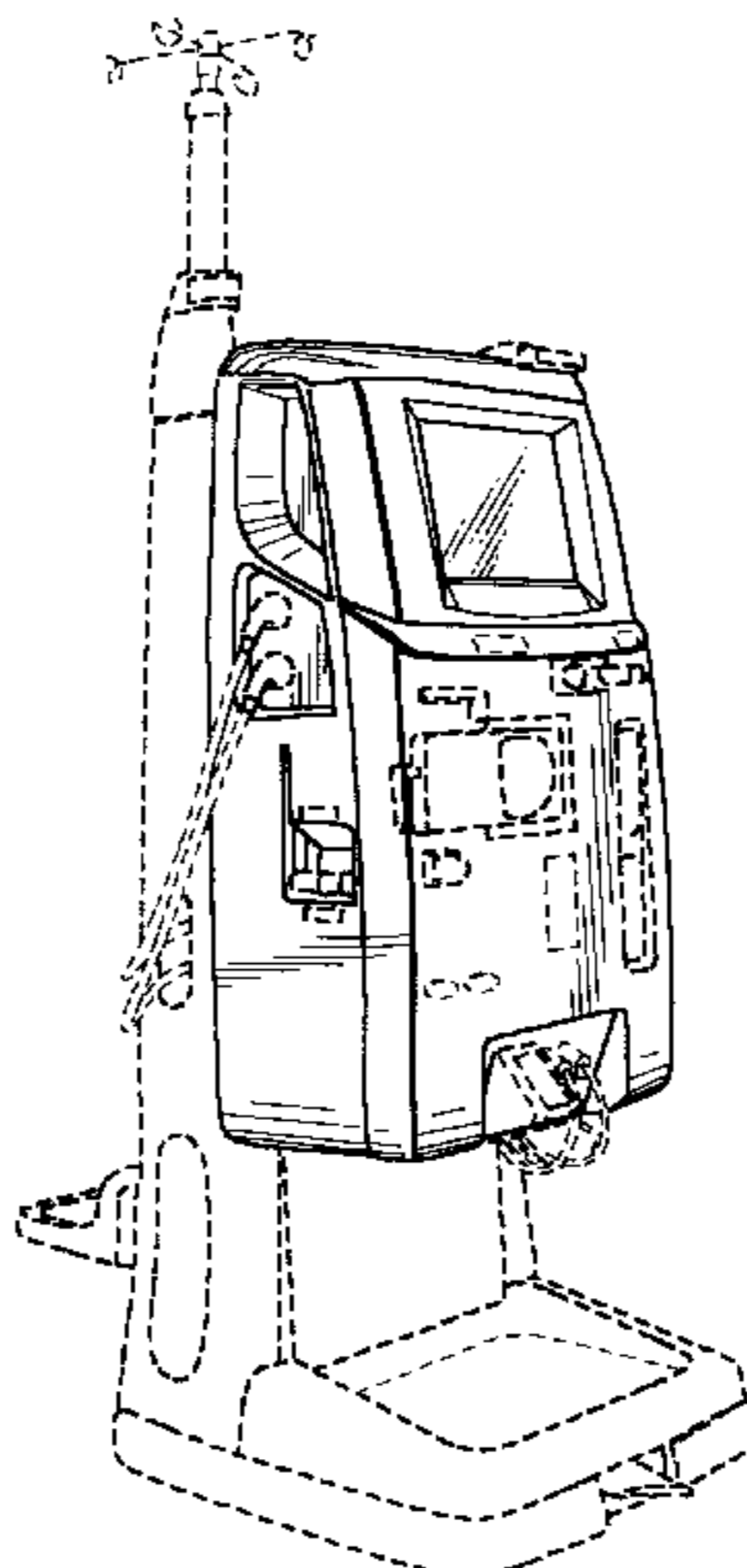
FIG. 5 is a side view thereof, opposite that shown in FIG. 4;

FIG. 6 is a top view thereof; and,

FIG. 7 is a bottom view thereof.

The broken lines shown in FIGS. 1-7 are for illustrative purposes only and form no part of the claimed design.

1 Claim, 3 Drawing Sheets



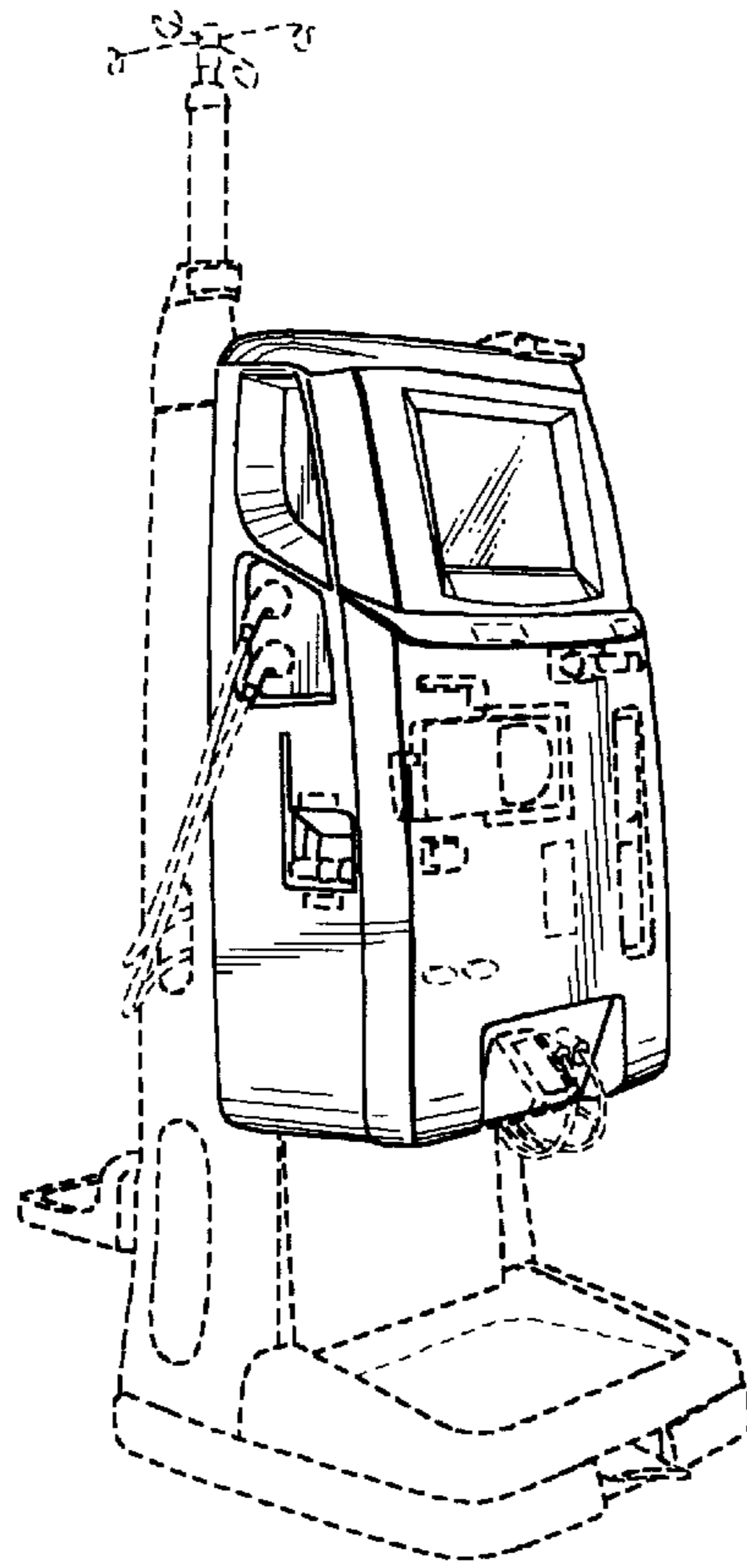


Figure 1

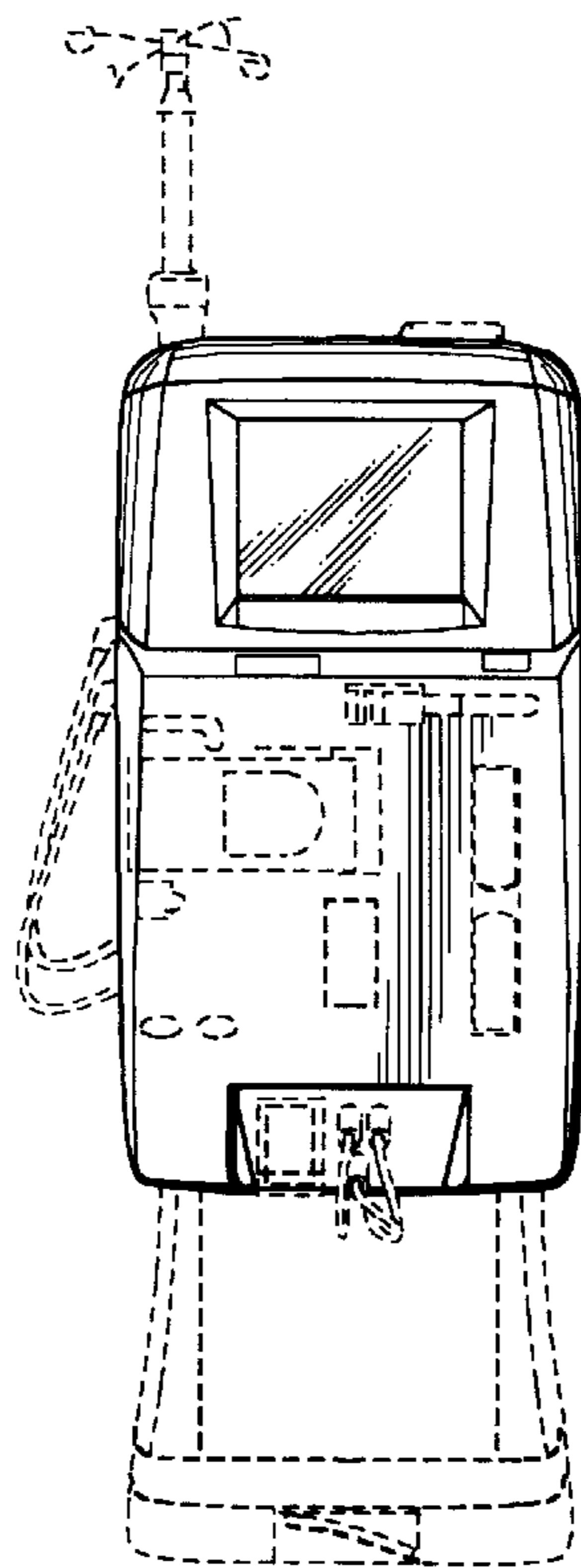


Figure 2

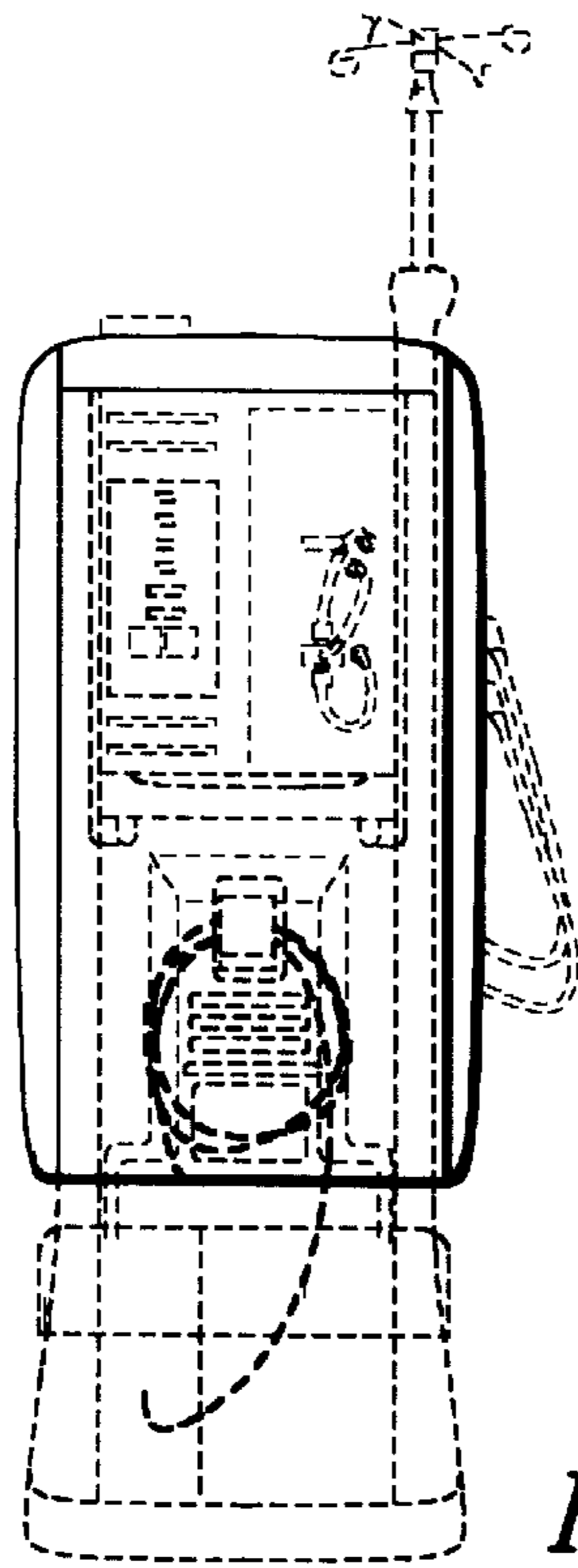


Figure 3

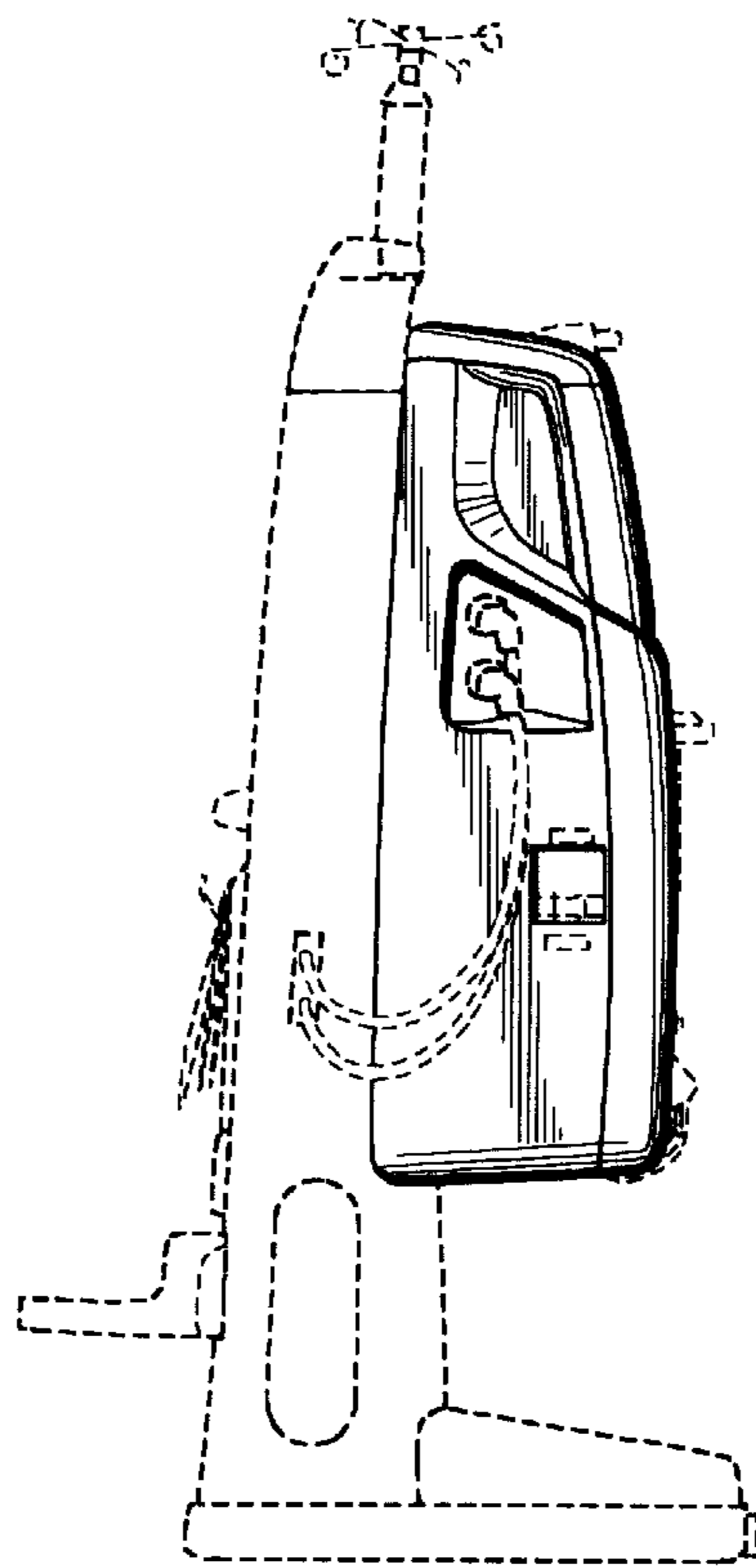


Figure 4

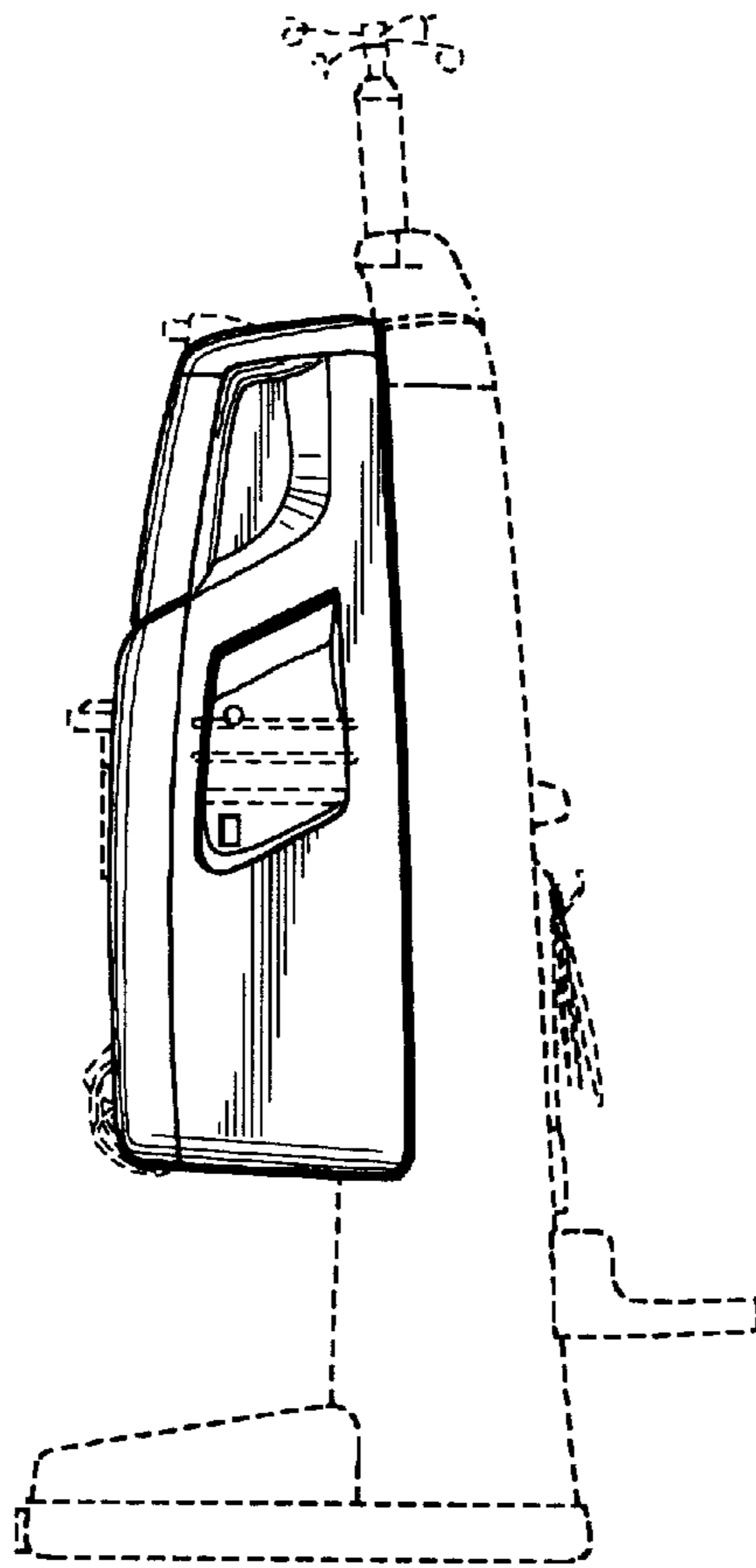


Figure 5

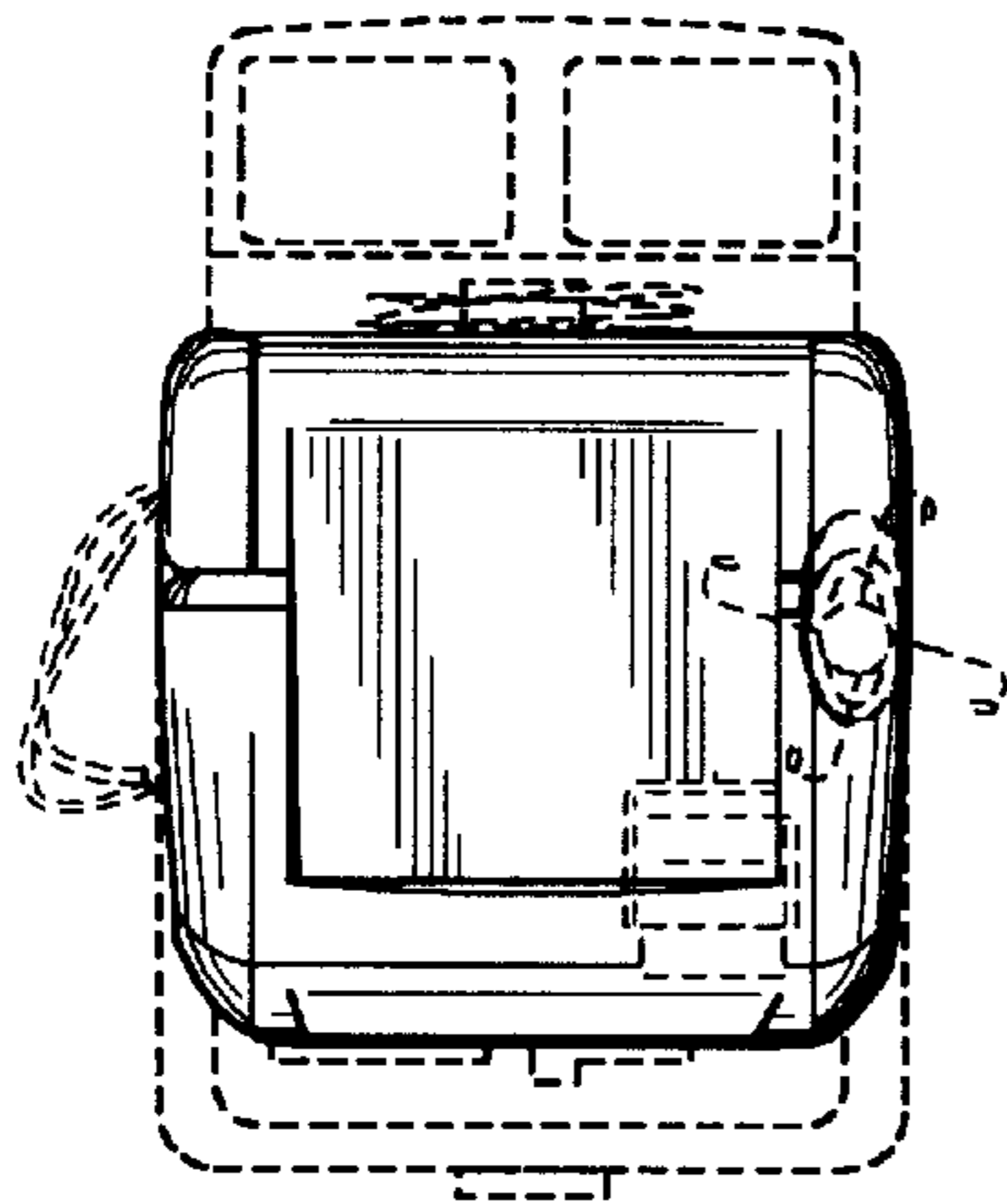


Figure 6

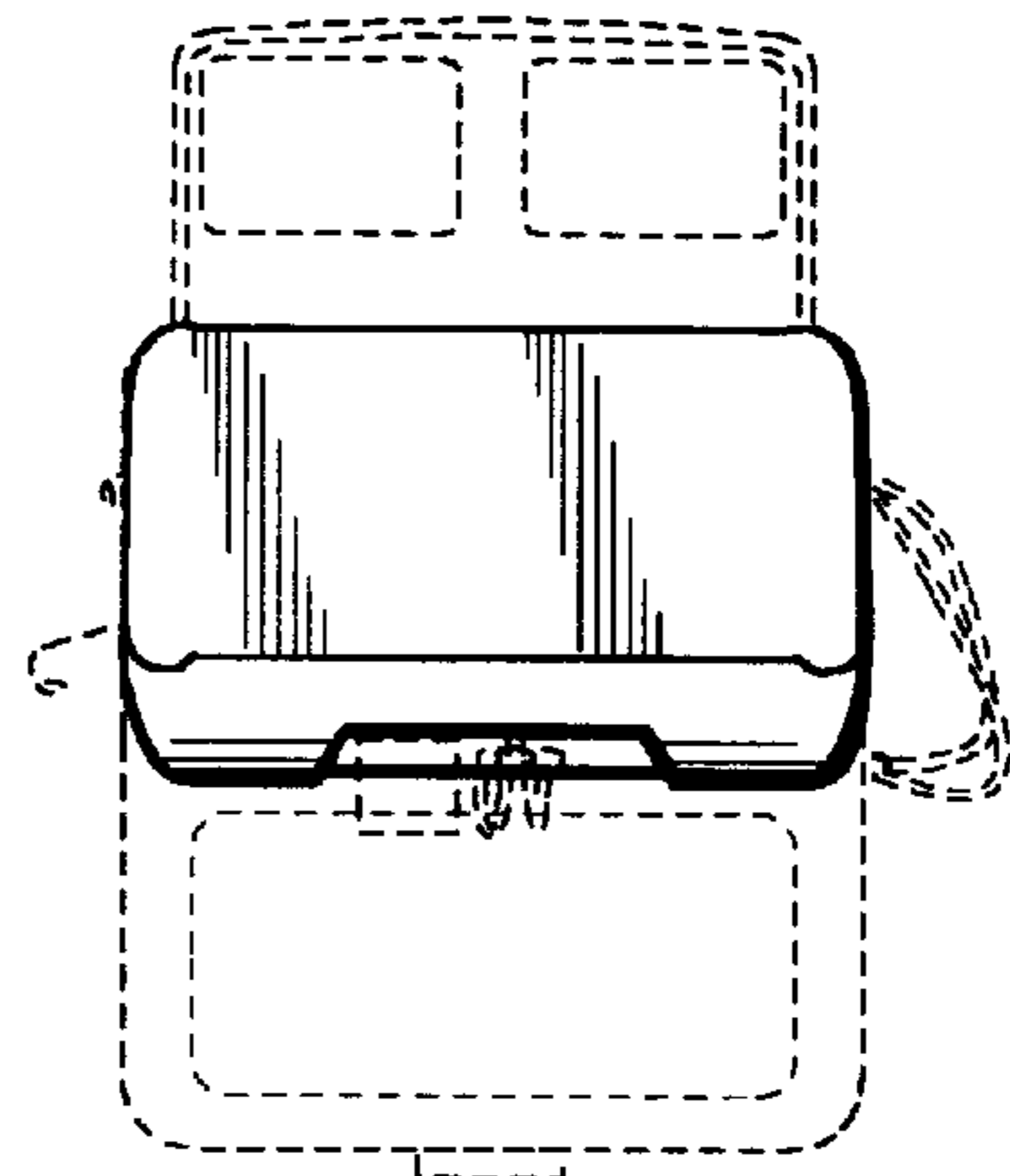


Figure 7