



US00D446859B1

(12) **United States Design Patent**
Hurson

(10) **Patent No.:** **US D446,859 S**

(45) **Date of Patent:** **** Aug. 21, 2001**

(54) **MULTI-LOBED DENTAL IMPLANT**

5,725,375 3/1998 Rogers .
5,810,590 9/1998 Fried et al. .
6,116,904 9/2000 Kirsch et al. .

(75) Inventor: **Steven M. Hurson**, Yorba Linda, CA
(US)

OTHER PUBLICATIONS

(73) Assignee: **Nobel Biocare USA, Inc.**, Yorba Linda,
CA (US)

Picture of Steri-Oss Dental Implant.

* cited by examiner

(**) Term: **14 Years**

Primary Examiner—Antoine Duval Davis

(21) Appl. No.: **29/123,463**

(74) *Attorney, Agent, or Firm*—Knobbe, Martens, Olson &
Bear, LLP

(22) Filed: **May 18, 2000**

(57) **CLAIM**

(51) **LOC (7) Cl.** **24-03**

The ornamental design for a multi-lobed dental implant, as
shown and described.

(52) **U.S. Cl.** **D24/156**

(58) **Field of Search** D24/156, 176;
433/172-174

DESCRIPTION

(56) **References Cited**

FIG. 1 is a perspective view of the multi-lobed dental
implant of the present invention.

U.S. PATENT DOCUMENTS

FIG. 2 is a top plan view thereof;

D. 374,080 * 9/1996 Broberg D24/156

FIG. 3 is a side elevational view thereof; the right side
elevation view, the front elevational view and the rear
elevational being the same image thereof;

D. 427,684 * 7/2000 Hansson D24/156

4,713,003 12/1987 Symington et al. .

FIG. 4 is a bottom plan view thereof; and,

4,826,434 5/1989 Krueger .

FIG. 5 is a cross sectional view of the multi-lobed dental
implant taken along lines 5—5 of FIG. 2.

4,960,381 10/1990 Niznick .

Phantom lining, where utilized, is for illustrative purposes
only and is not intended to limit the claimed design to the
features shown in phantom.

5,076,788 12/1991 Niznick .

5,195,892 3/1993 Gersberg .

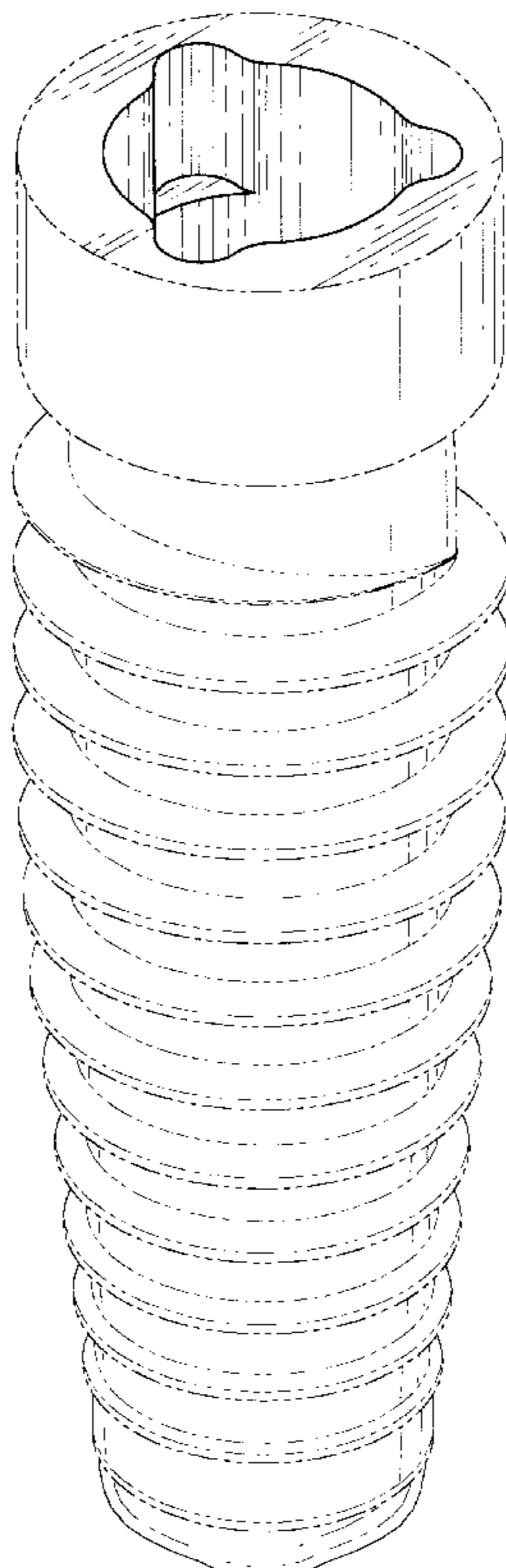
5,328,371 7/1994 Hund et al. .

5,439,381 8/1995 Cohen .

5,580,246 12/1996 Fried et al. .

5,584,629 12/1996 Bailey et al. .

1 Claim, 2 Drawing Sheets



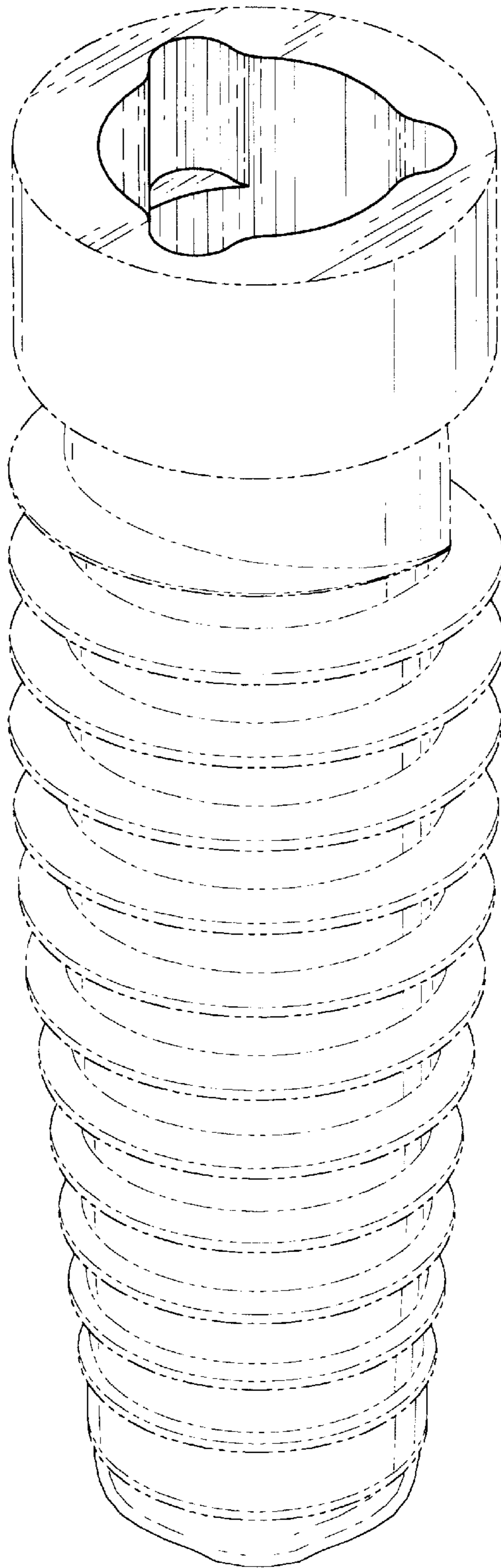


FIG. 1

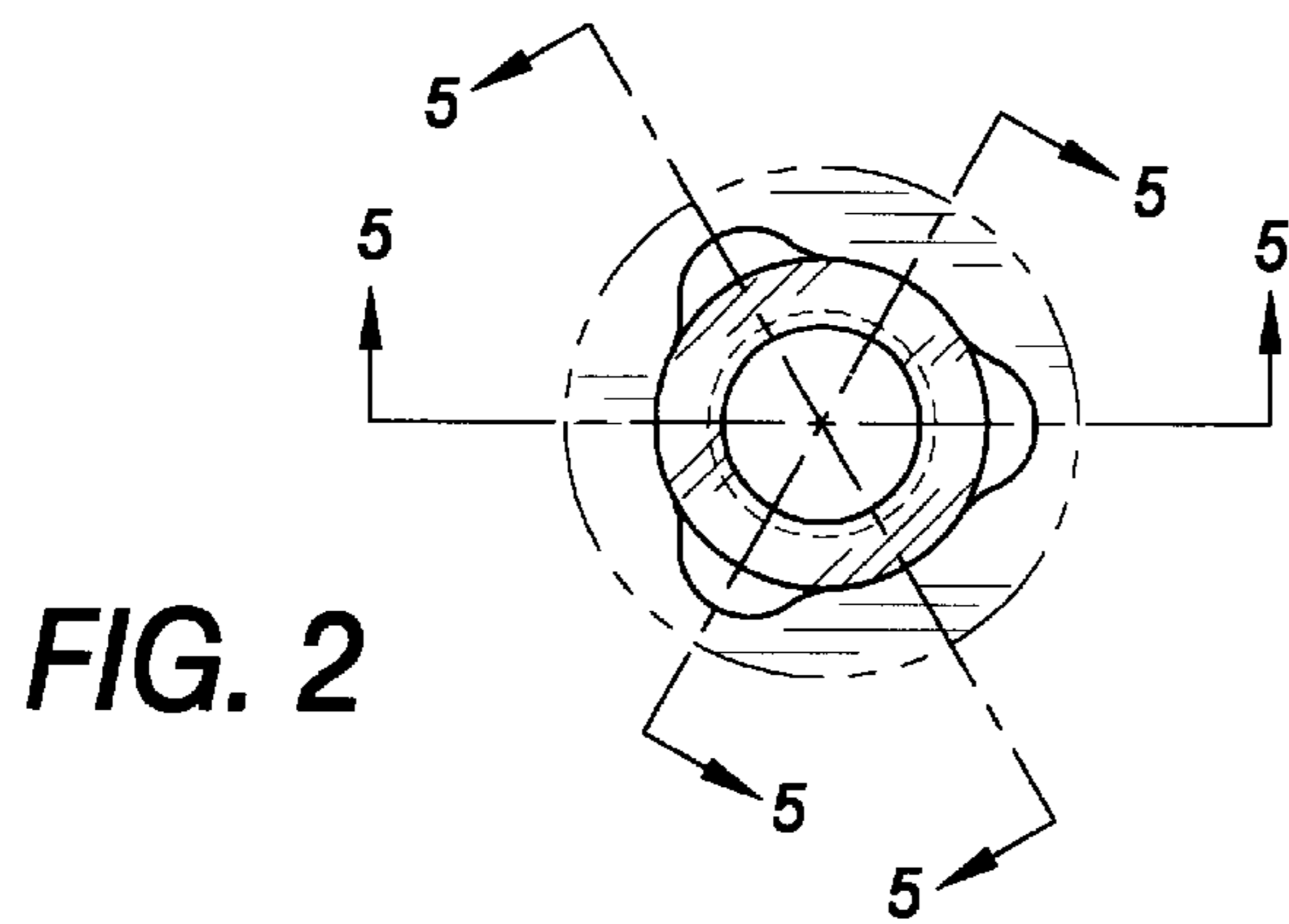


FIG. 3

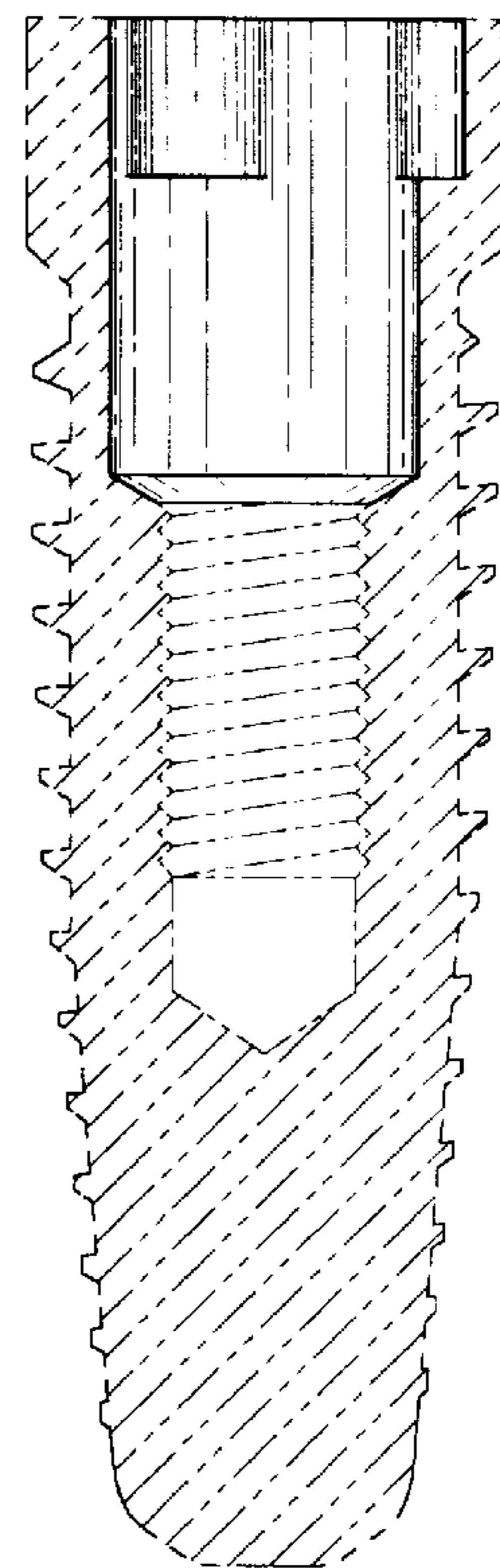
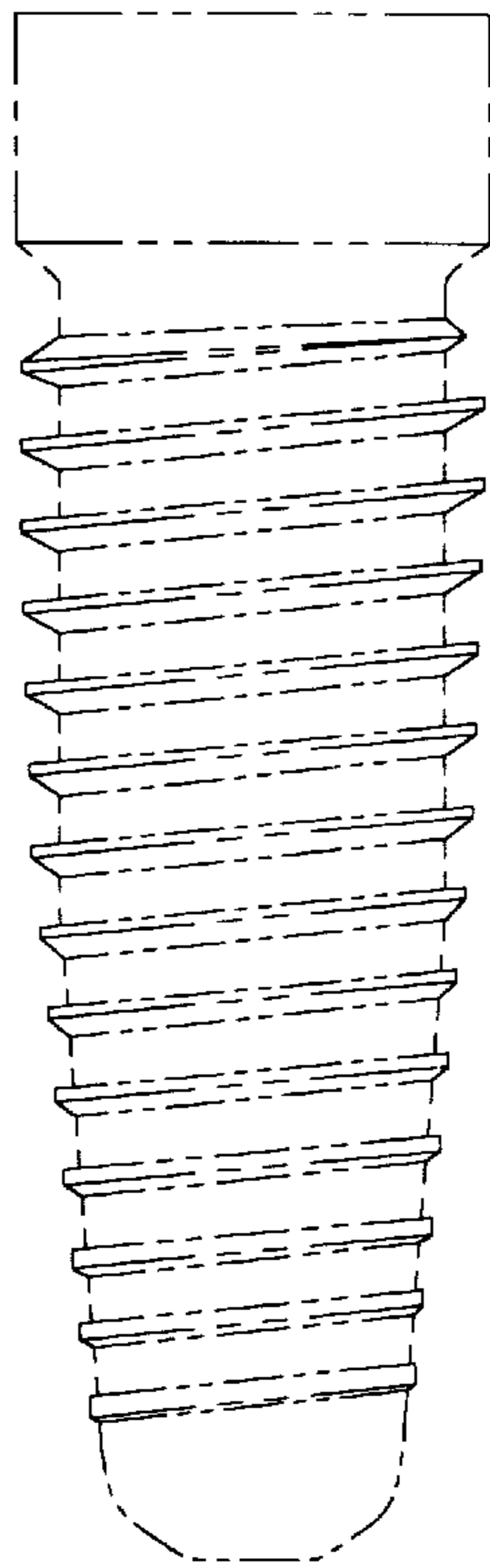


FIG. 4

