



US00D446857B1

(12) **United States Design Patent**
Stein

(10) **Patent No.:** **US D446,857 S**

(45) **Date of Patent:** **** Aug. 21, 2001**

(54) **COMPRESSIBLE PELVIC FLOOR MUSCLE EXERCISER**

4,574,791	*	3/1986	Mitchener	600/38
5,213,577	*	5/1993	Kratzer	604/101
5,865,715	*	2/1999	Wallick	482/124
6,165,108	*	12/2000	Ralston	482/91

(76) **Inventor:** **Daniel S. Stein**, P.O. Box 49072, St. Petersburg, FL (US) 33743

* cited by examiner

(**) **Term:** **14 Years**

Primary Examiner—Ian Simmons

(21) **Appl. No.:** **29/123,031**

(74) *Attorney, Agent, or Firm*—Pettis & Van Royen, P.A.

(22) **Filed:** **May 9, 2000**

(57) **CLAIM**

(51) **LOC (7) Cl.** **24-02**

The ornamental design for a compressible pelvic floor muscle exerciser, as shown and described.

(52) **U.S. Cl.** **D24/135; D24/133**

DESCRIPTION

(58) **Field of Search** D24/135, 188, D24/200, 133; 482/105, 149, 124, 148, 93, 91; 607/77; 600/38, 40, 41, 39, 591; 606/197, 192, 191

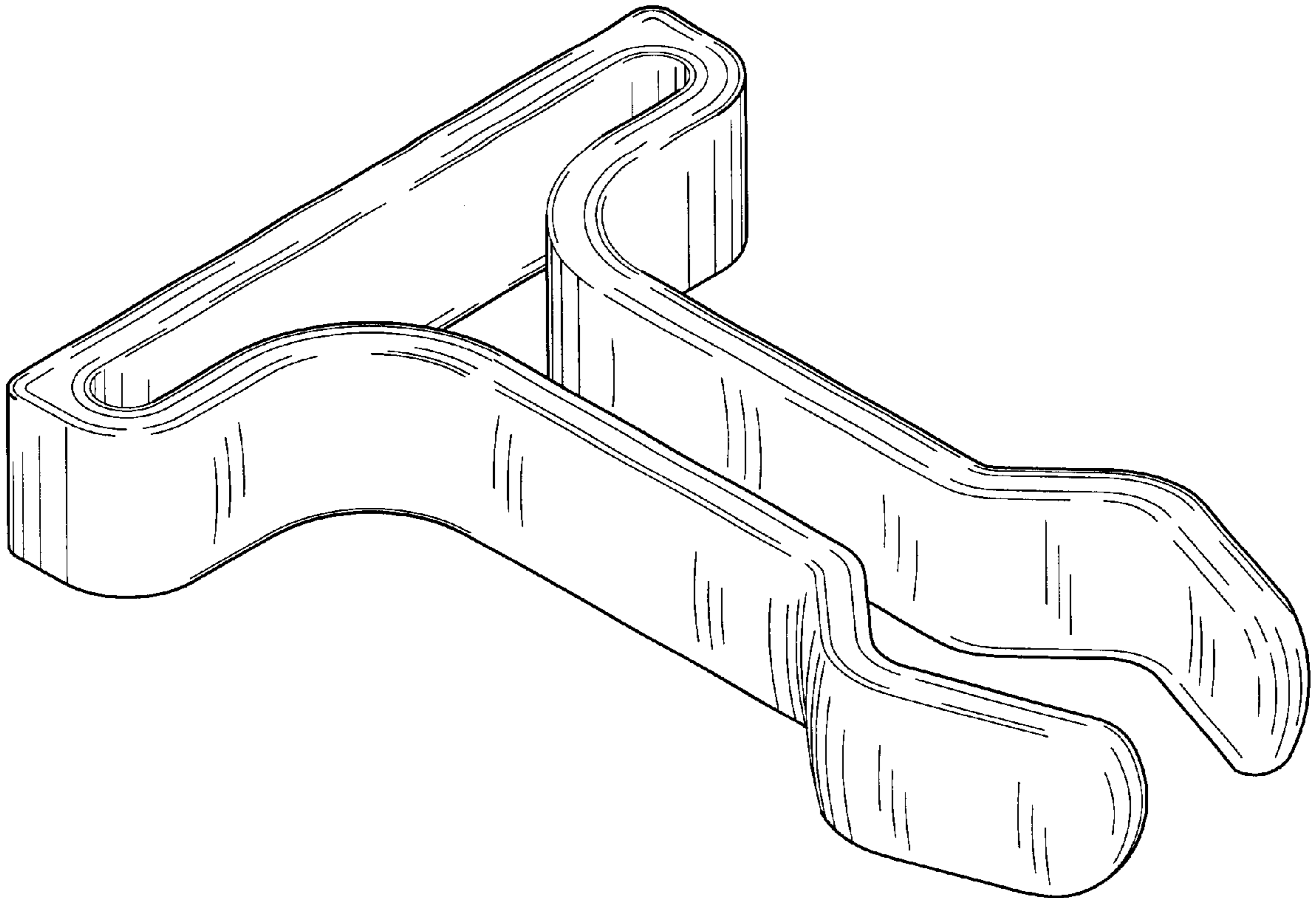
FIG. 1 is an isometric view of the compressible pelvic floor muscle exerciser showing my new design;
FIG. 2 is a top plan view thereof, the bottom plan view being identical thereto;
FIG. 3 is front elevational view thereof, the rear elevational view being a mirror image thereof;
FIG. 4 is a right side elevational view thereof; and,
FIG. 5 is a left side elevational view thereof.

(56) **References Cited**

U.S. PATENT DOCUMENTS

D. 232,779	*	9/1974	Olson	D24/135
D. 414,871	*	10/1999	Myers et al.	D24/187
3,675,642	*	7/1972	Lord	606/197

1 Claim, 2 Drawing Sheets



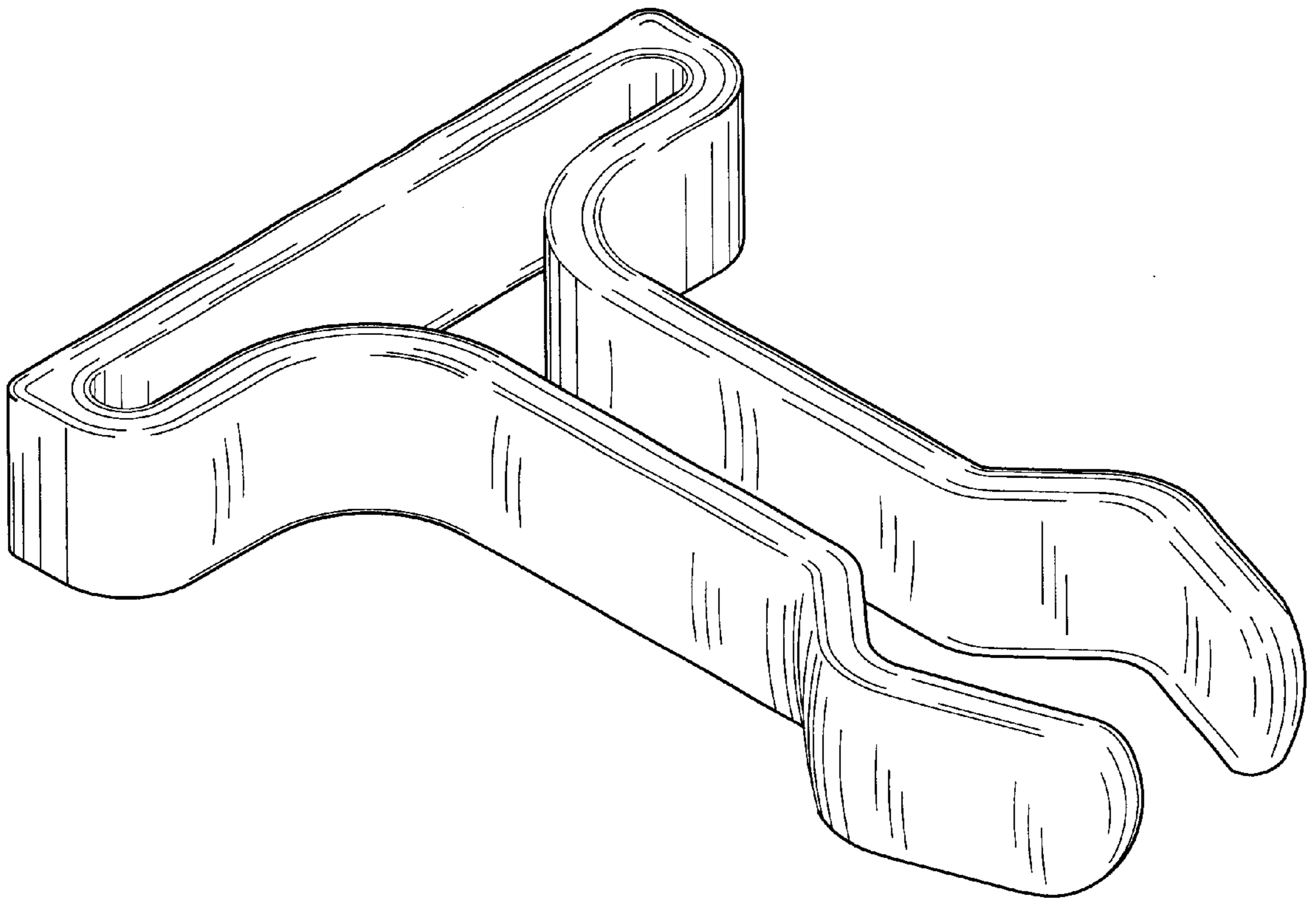


FIG. 1

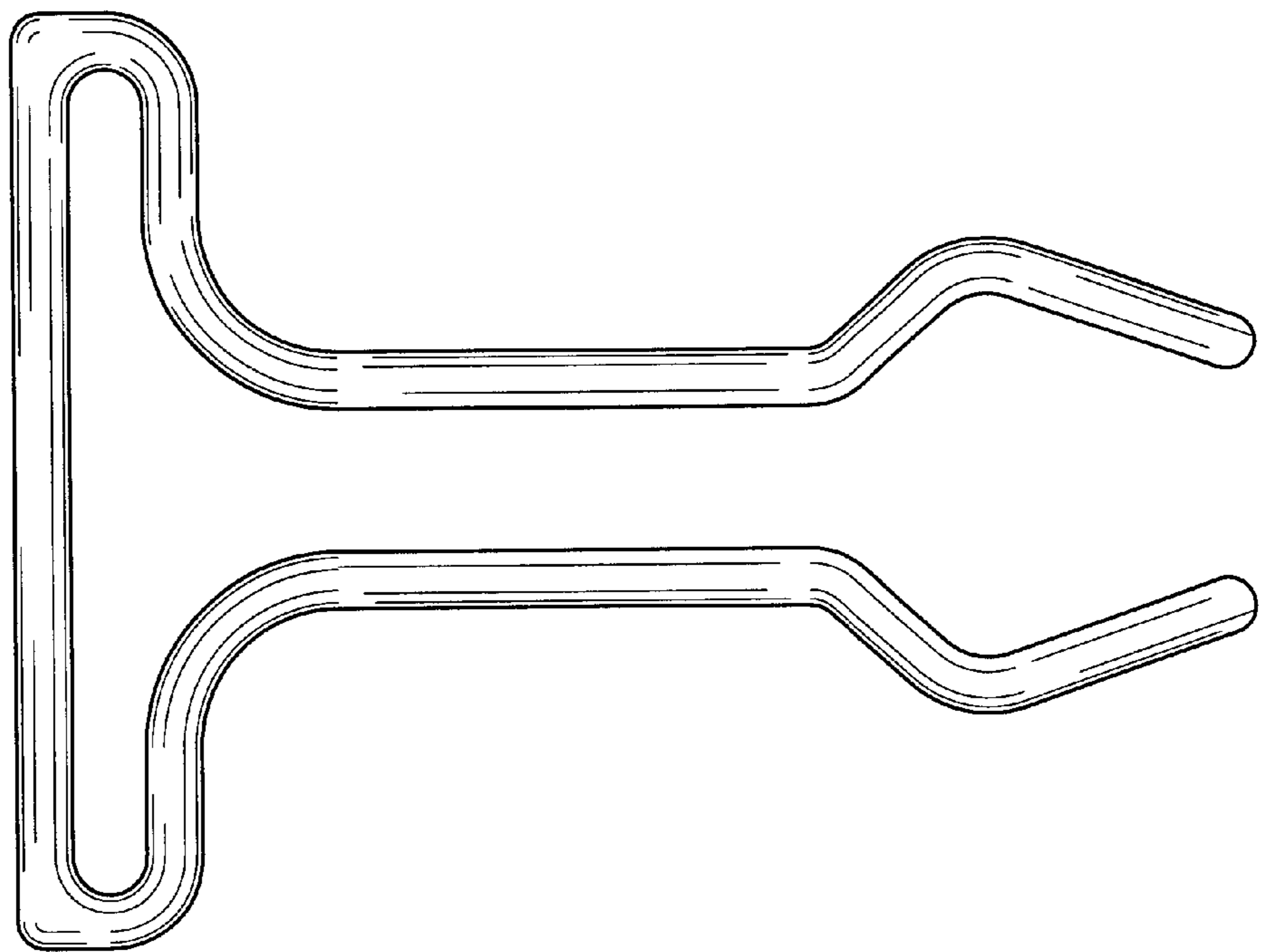


FIG. 2

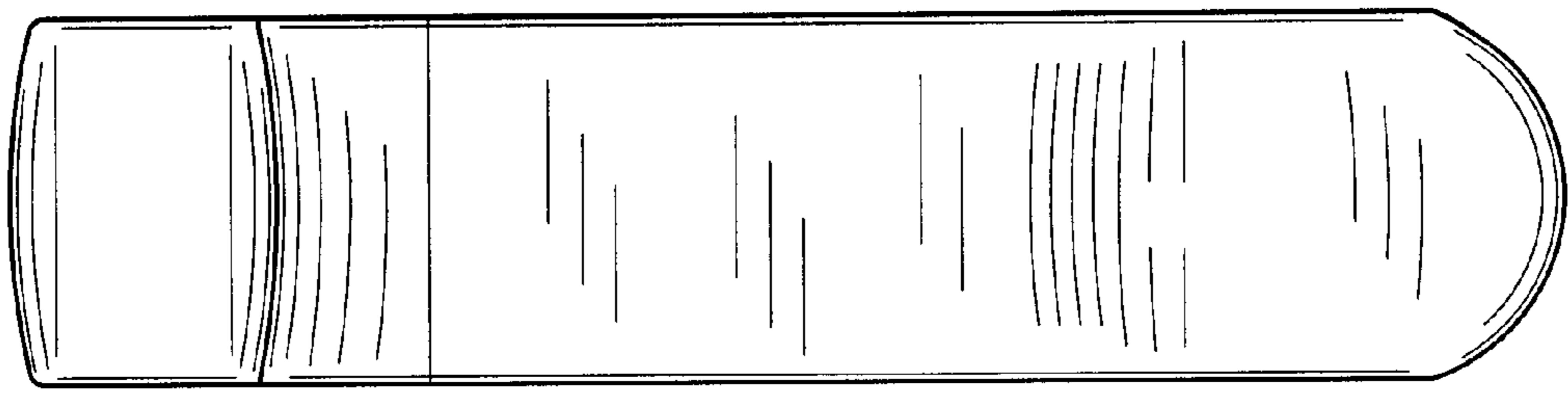


FIG. 3

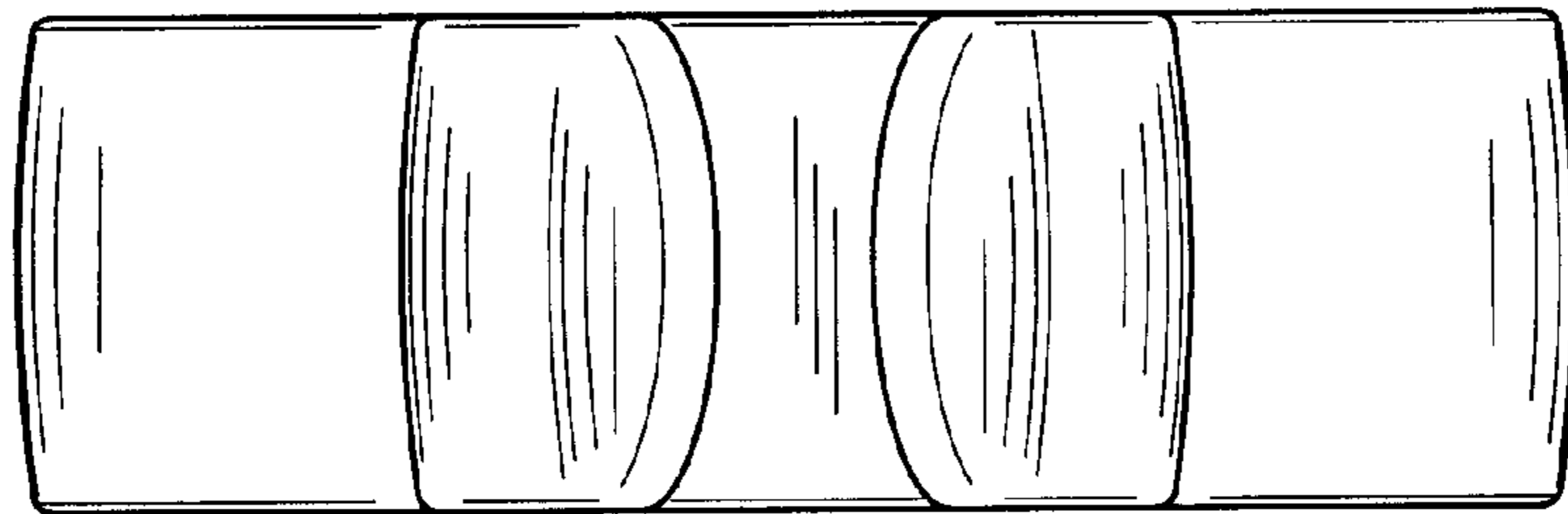


FIG. 4

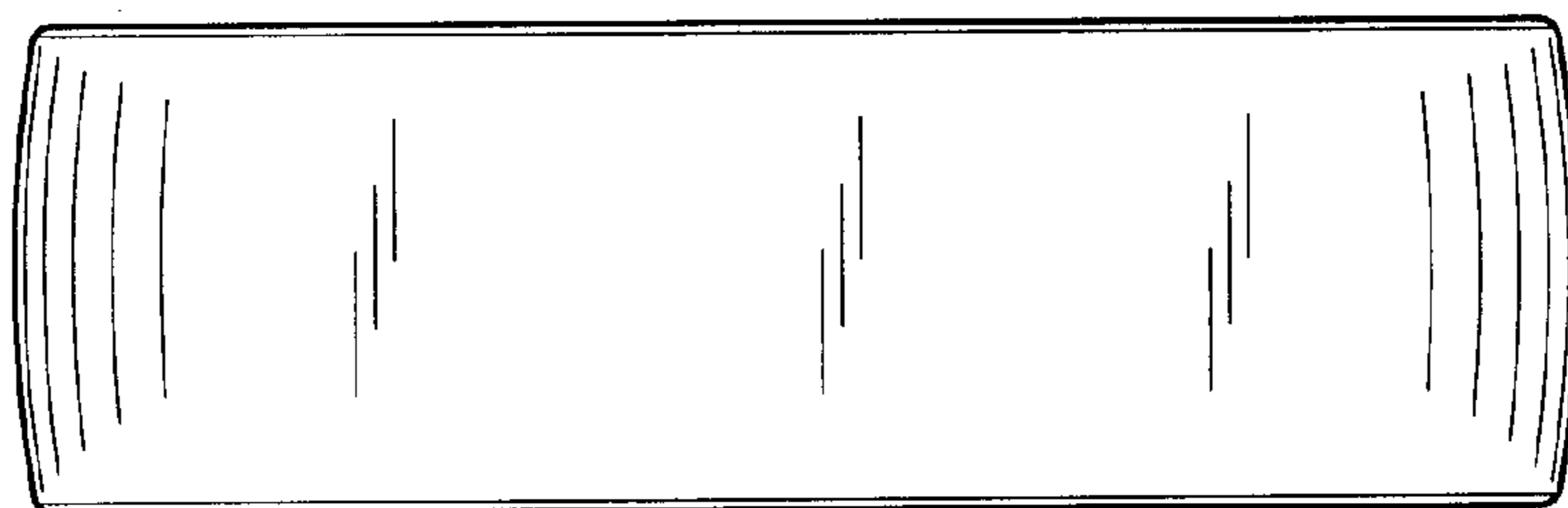


FIG. 5