



US00D446856B1

(12) **United States Design Patent**
Stein

(10) **Patent No.:** **US D446,856 S**

(45) **Date of Patent:** **** Aug. 21, 2001**

(54) **COMPRESSIBLE PELVIC FLOOR MUSCLE EXERCISER**

5,865,715 * 2/1999 Wallick 482/124
6,165,108 * 12/2000 Ralston 482/91

(76) Inventor: **Daniel S. Stein**, P.O. Box 49072, St. Petersburg, FL (US) 33743

(**) Term: **14 Years**

(21) Appl. No.: **29/123,030**

(22) Filed: **May 9, 2000**

(51) **LOC (7) Cl.** **24-02**

(52) **U.S. Cl.** **D24/135**

(58) **Field of Search** D24/135, 133, D24/188, 200; 482/105, 91, 148, 124, 149; 607/77; 600/38, 39, 41, 40, 591; 606/197, 192, 191

(56) **References Cited**

U.S. PATENT DOCUMENTS

| | | | | | |
|------------|---|---------|------------------|-------|---------|
| D. 414,871 | * | 10/1999 | Myers et al. | | D24/187 |
| 3,675,642 | * | 7/1972 | Lord | | 606/197 |
| 4,241,912 | | 12/1980 | Mercer et al. | | 128/341 |
| 4,574,791 | * | 3/1986 | Mitchener | | 600/38 |
| 4,583,542 | | 4/1986 | Boyd | | 128/341 |
| 5,213,577 | * | 5/1993 | Kratzer | | 604/101 |
| 5,554,092 | | 9/1996 | Harpstead et al. | | 482/148 |

OTHER PUBLICATIONS

American Sex Machines The Hidden History of Sex at The U.S. Patent Office (Author: Hoag Levins).

* cited by examiner

Primary Examiner—Ian Simmons

(74) *Attorney, Agent, or Firm*—Pettis & Van Royen, P.A.

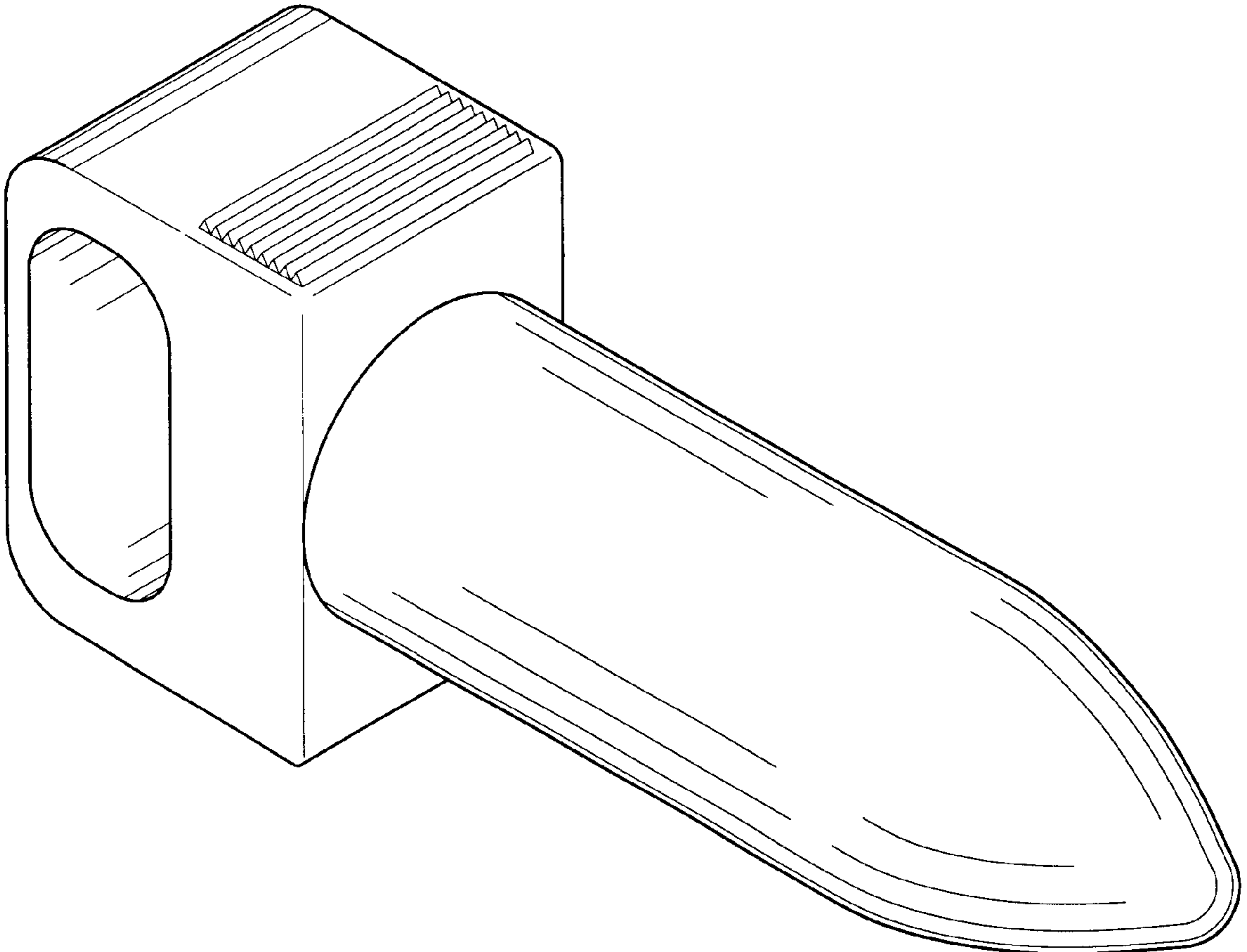
(57) **CLAIM**

The ornamental design for a compressible pelvic floor muscle exerciser, as shown and described.

DESCRIPTION

FIG. 1 is an isometric view of the compressible pelvic floor muscle exerciser showing my new design; FIG. 2 is a front elevational view thereof, the rear elevational view being a mirror image thereof; FIG. 3 is a top plan view thereof, the bottom plan view being substantially identical thereto; FIG. 4 is right side elevational view thereof; and, FIG. 5 is a left side elevational view thereof.

1 Claim, 2 Drawing Sheets



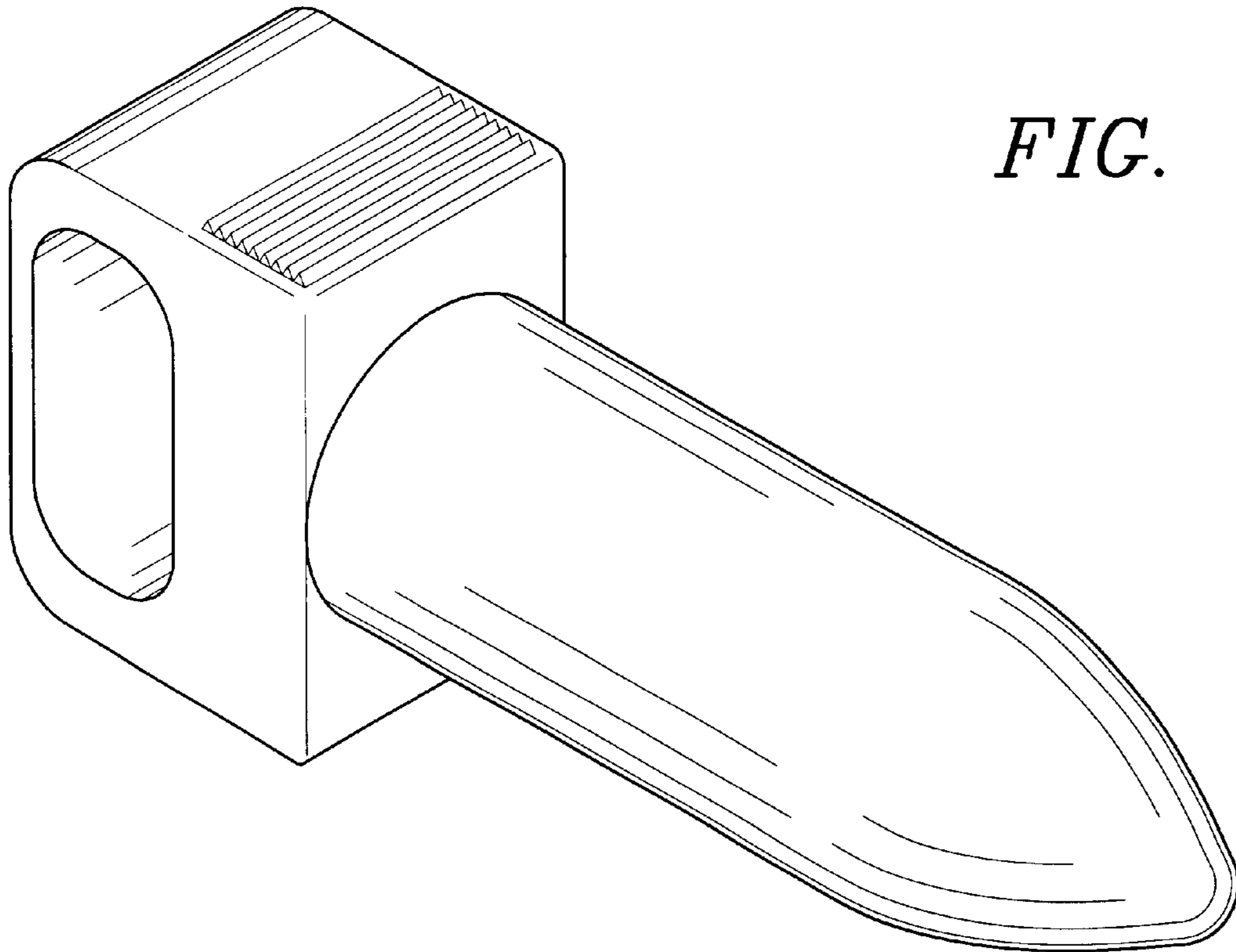


FIG. 1

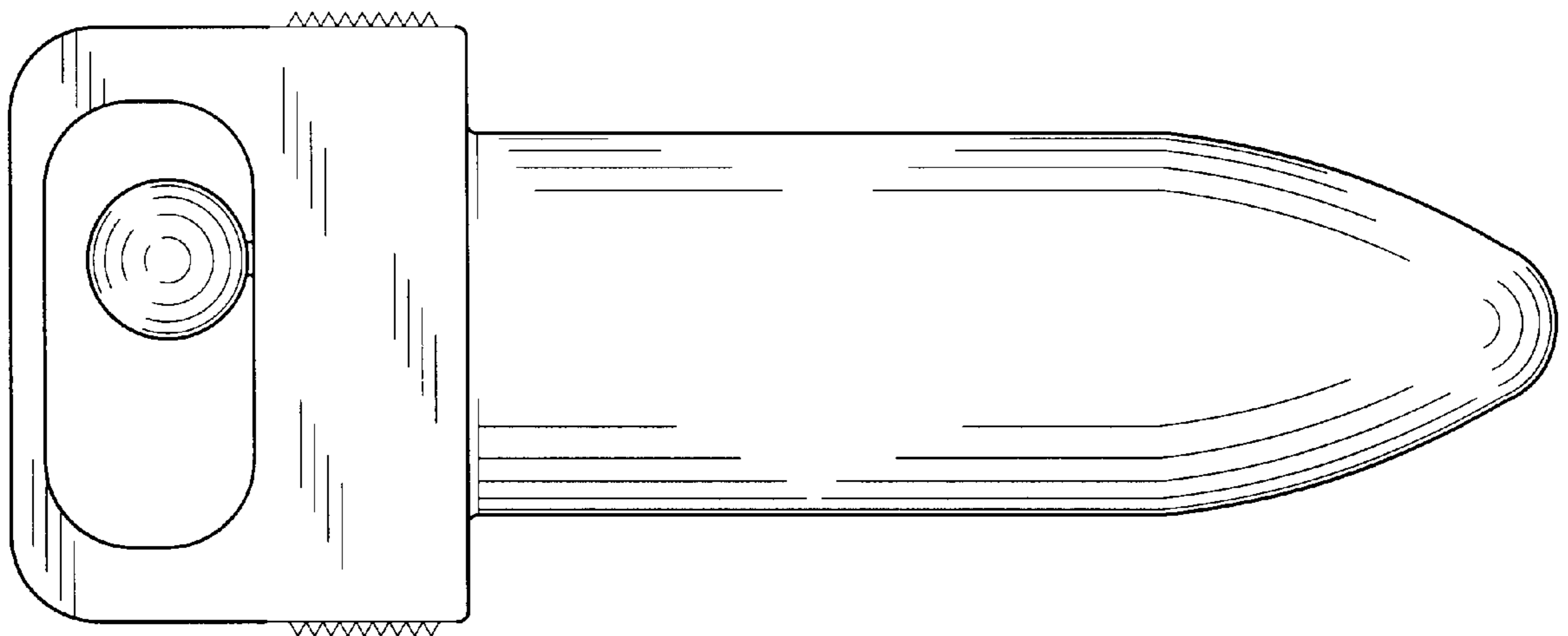


FIG. 2

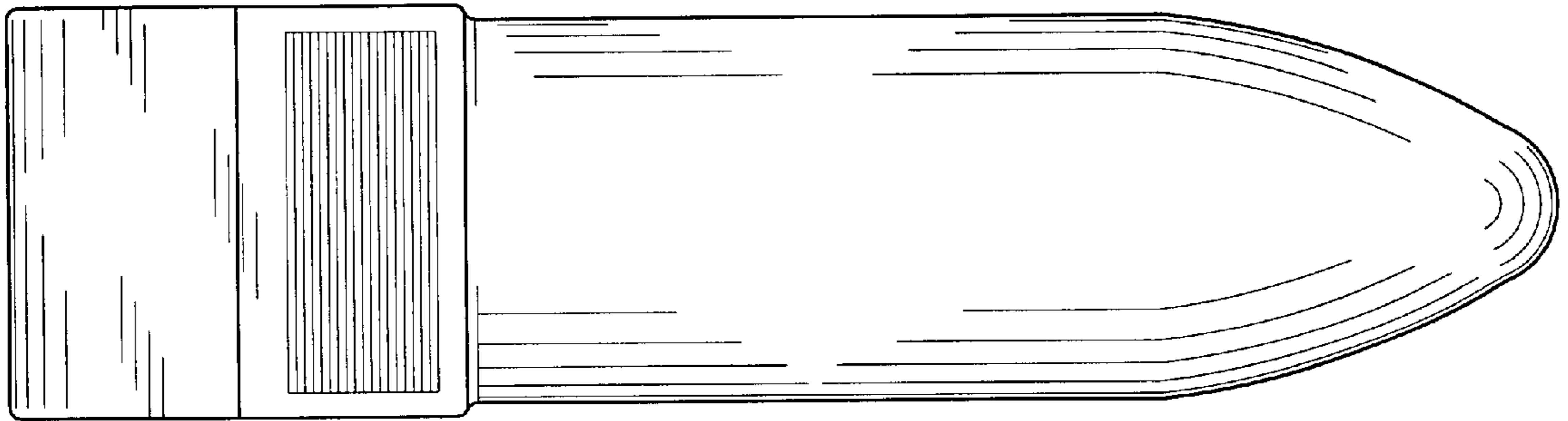


FIG. 3

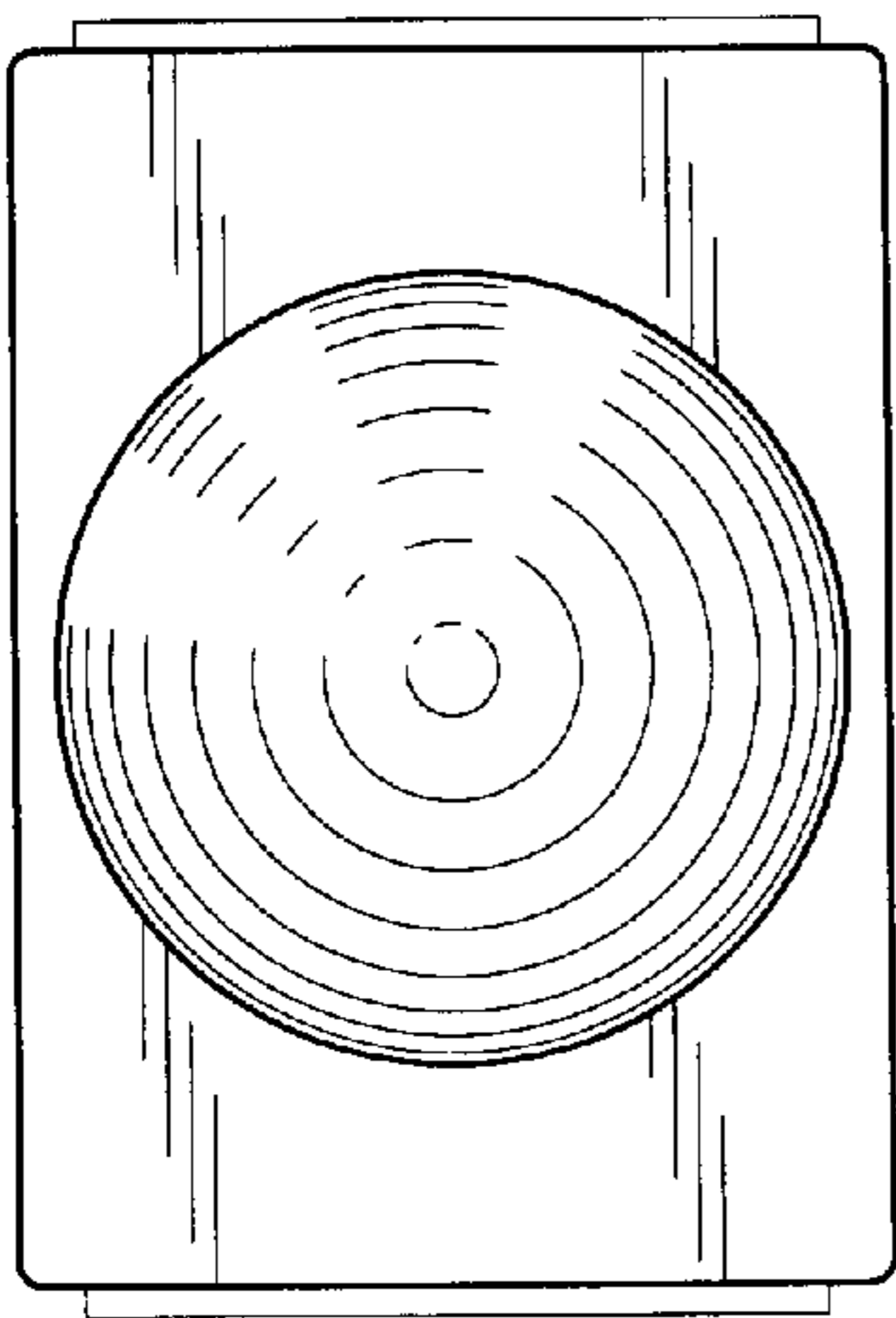


FIG. 4

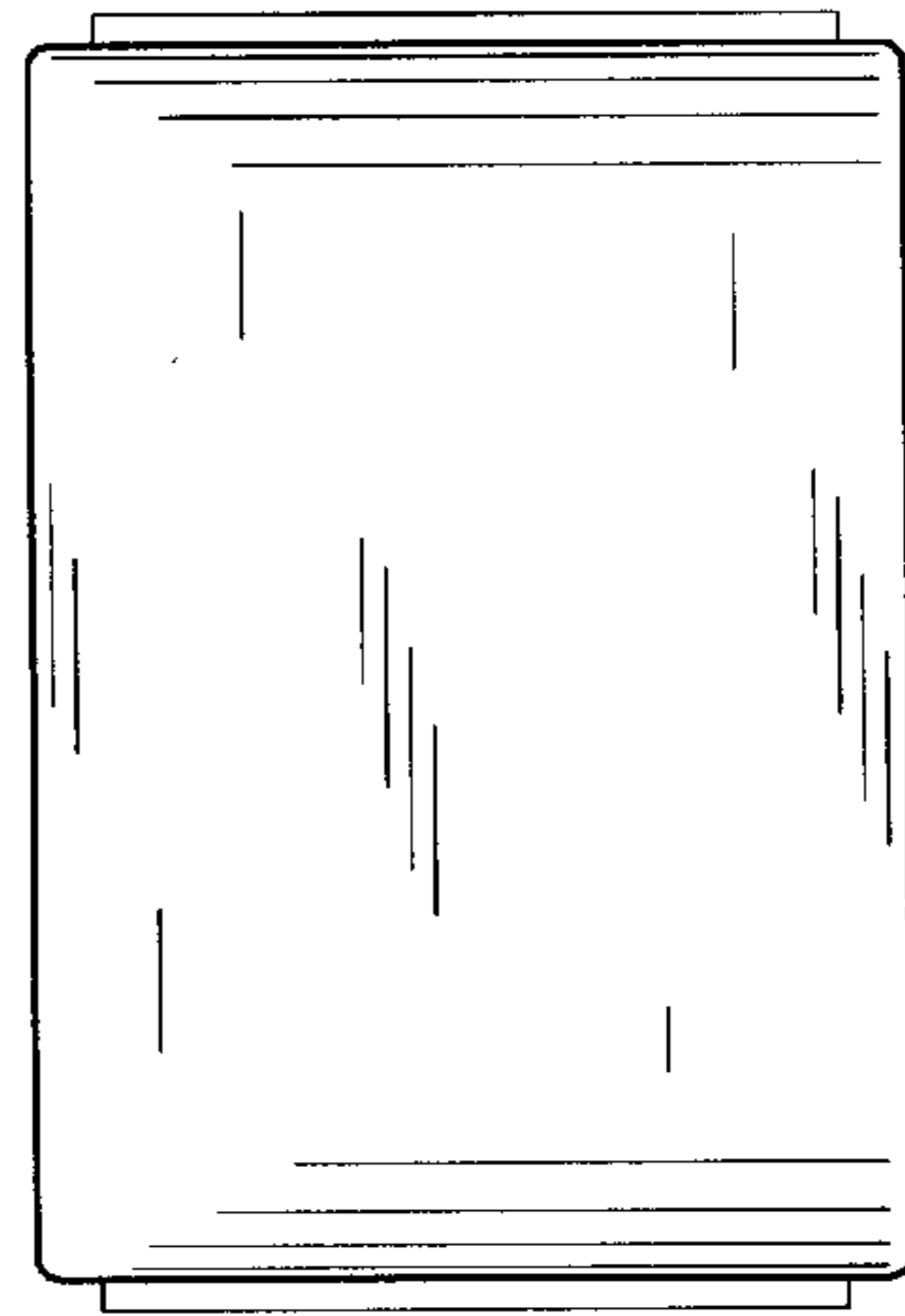


FIG. 5