



US00D446855B1

(12) **United States Design Patent**
Högberg et al.

(10) **Patent No.:** **US D446,855 S**

(45) **Date of Patent:** **** Aug. 21, 2001**

(54) **RING BAG FOR THE CENTRIFUGATION OF BLOOD COMPONENTS**

(75) Inventors: **Niclas Högberg; Emanuel Hällgren,**
both of **Karlskoga; Peter Pihlstedt,**
Stockholm, all of (SE)

(73) Assignee: **Sanguistech AB,** Karlskoga (SE)

(**) Term: **14 Years**

(21) Appl. No.: **29/114,613**

(22) Filed: **Nov. 29, 1999**

(30) **Foreign Application Priority Data**

May 31, 1999 (SE) 99-0973

(51) **LOC (7) Cl.** **24-02**

(52) **U.S. Cl.** **D24/118**

(58) **Field of Search** D24/107, 118,
D24/216, 219, 232; 210/360.1, 781, 782,
787; 422/72, 101; 494/45, 34; 604/410

(56) **References Cited**

U.S. PATENT DOCUMENTS

3,724,747	*	4/1973	Unger et al.	494/34
3,987,961	*	10/1976	Sinn et al.	494/45
5,114,396	*	5/1992	Unger et al.	494/45
5,723,050	*	3/1998	Unger et al.	210/782

* cited by examiner

Primary Examiner—Ian Simmons

(74) *Attorney, Agent, or Firm*—Pearne & Gordon LLP

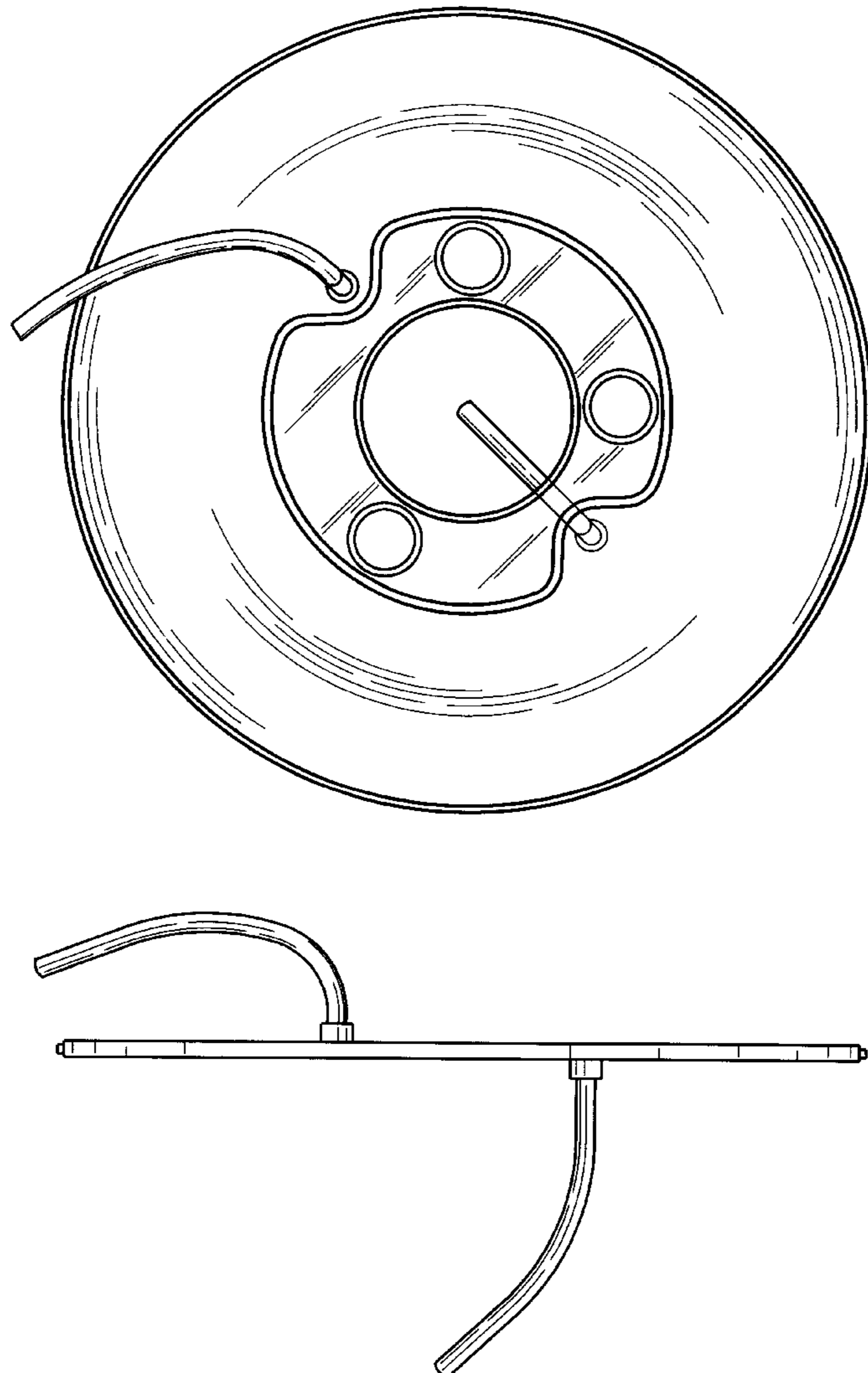
(57) **CLAIM**

The ornamental design for a ring bag for centrifugation of blood components, as shown and described.

DESCRIPTION

FIG. 1 is a top plan view of a ring bag for the centrifugation of blood components, showing our new design. FIG. 2 is a side elevational view thereof; and, FIG. 3 is a bottom view thereof.

1 Claim, 2 Drawing Sheets



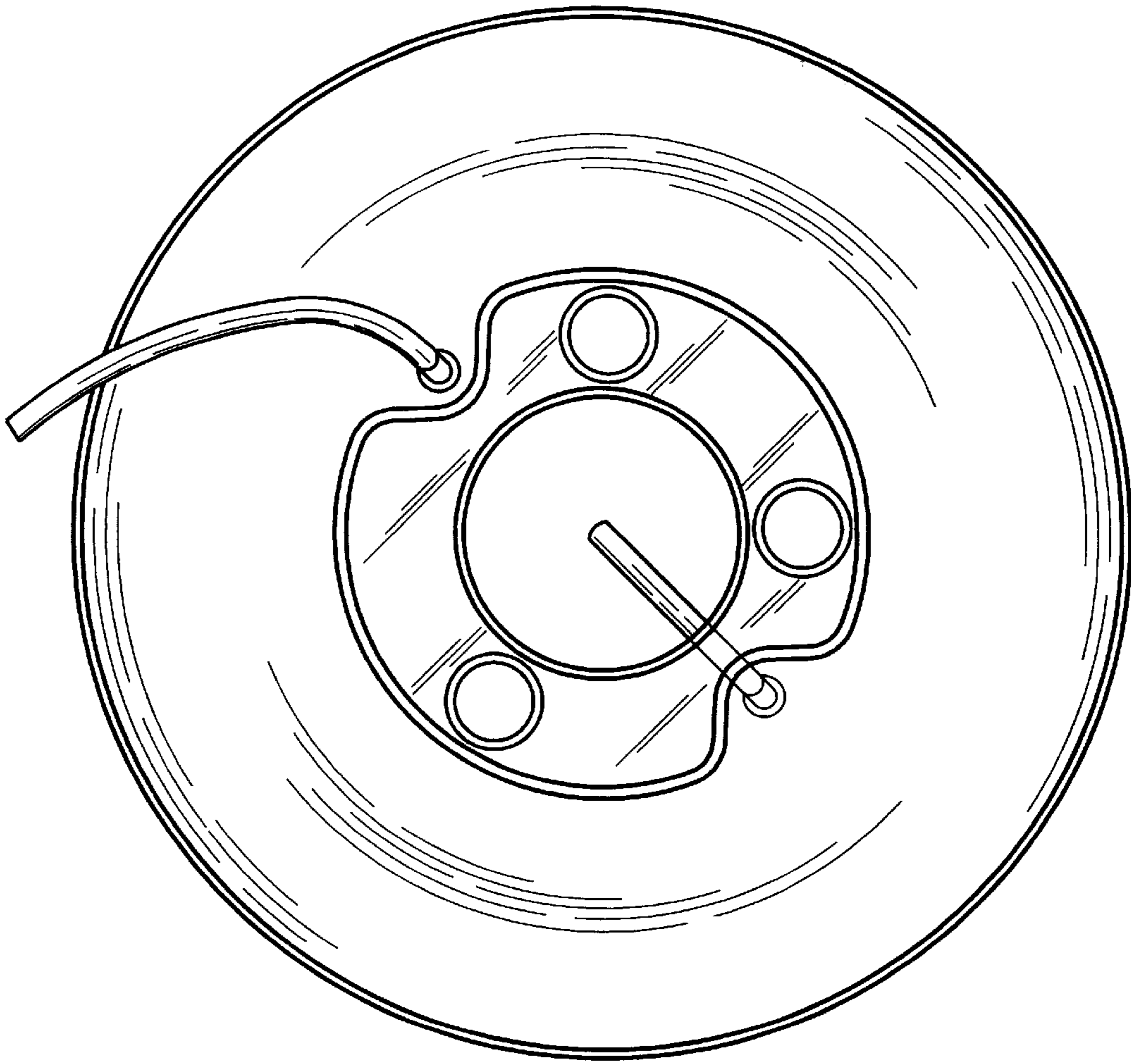


Fig. 1

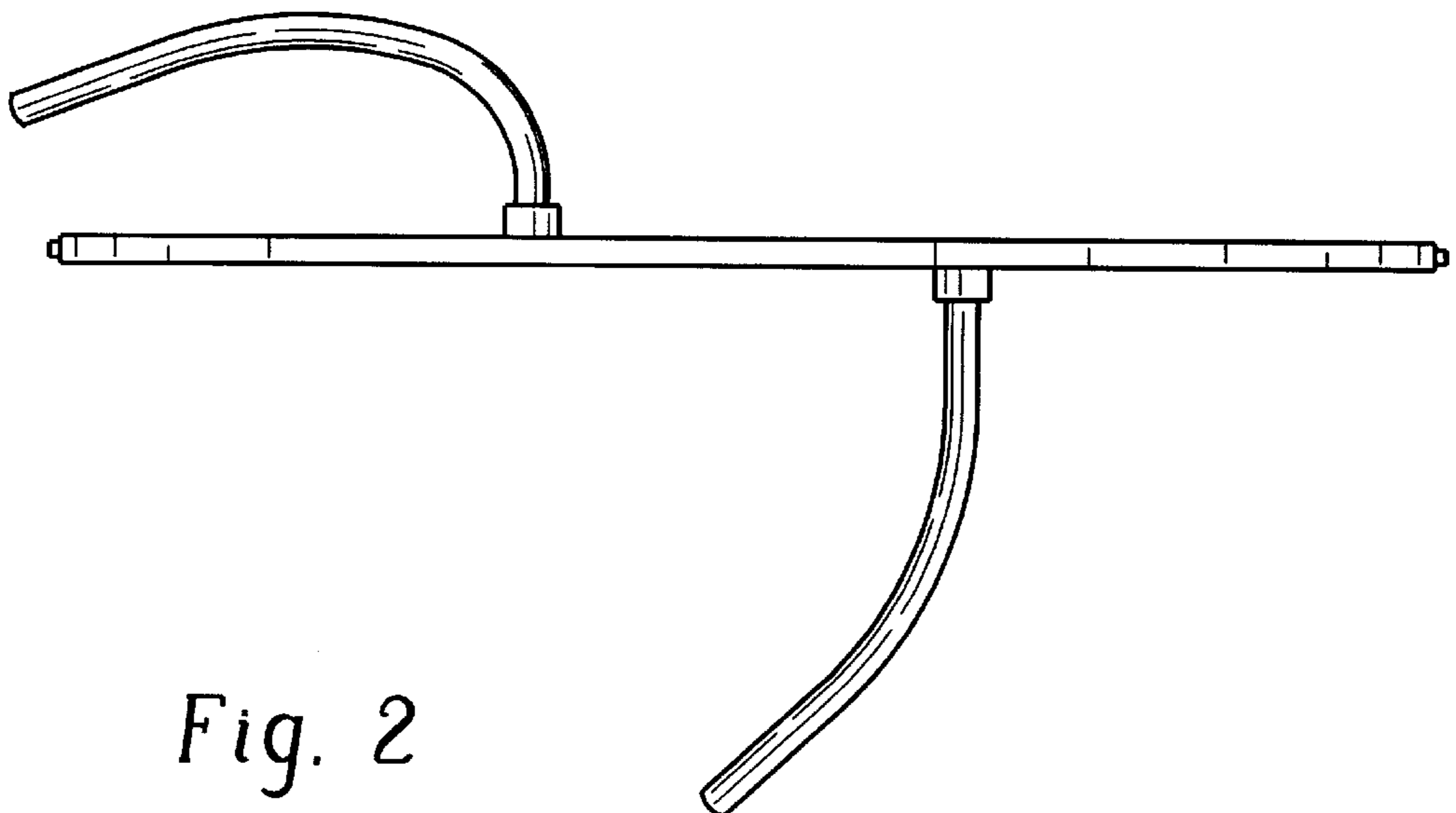


Fig. 2

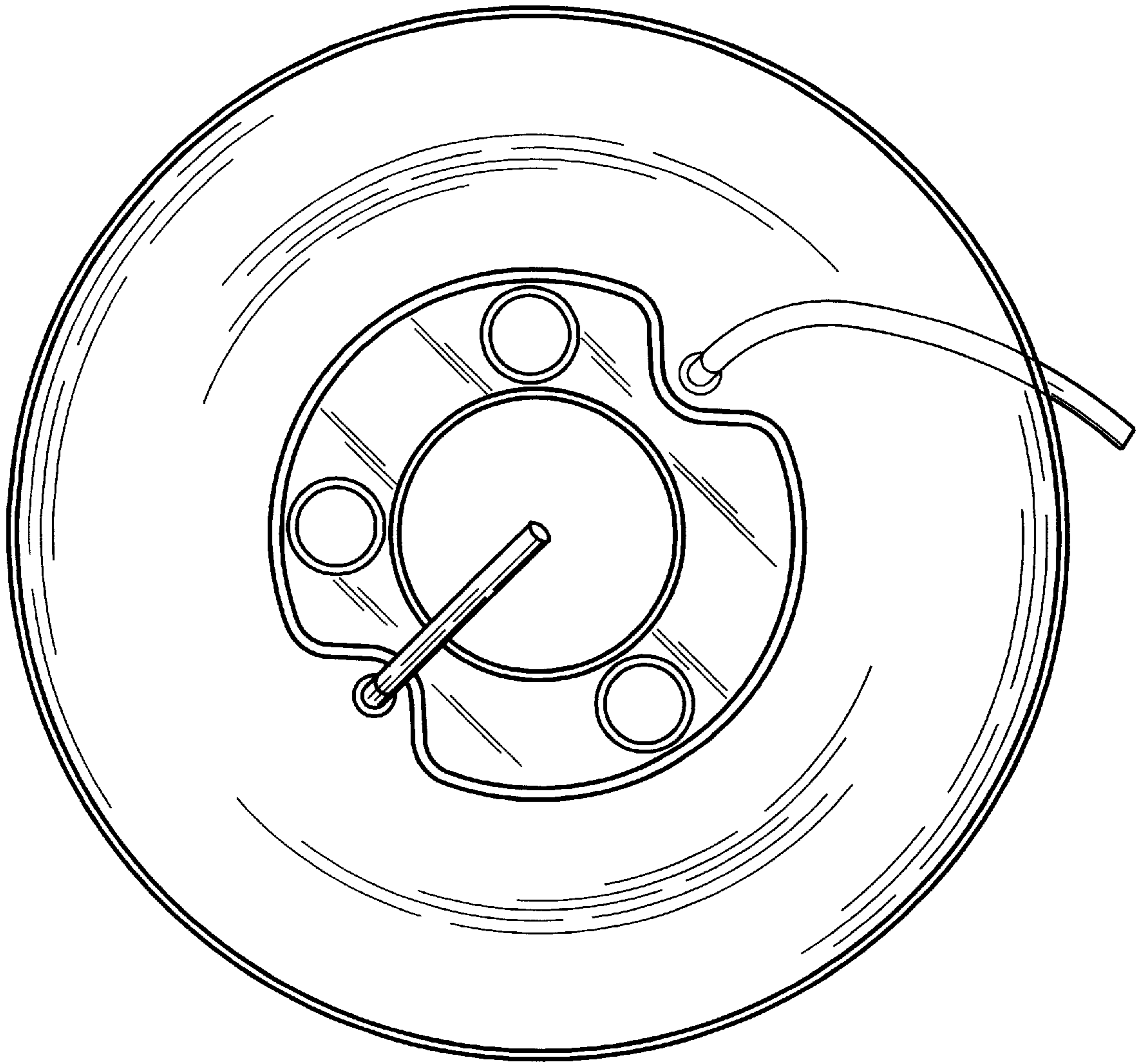


Fig. 3