



US00D446854B1

(12) **United States Design Patent**
Cheney, II et al.

(10) **Patent No.:** **US D446,854 S**

(45) **Date of Patent:** **** Aug. 21, 2001**

(54) **COMMUNICATION STATION FOR AN INFUSION PUMP**

5,311,449	*	5/1994	Adams	340/825.54
5,376,070	*	12/1994	Purvis et al.	604/31
5,582,593	*	12/1996	Hultman	604/65
5,871,465	*	2/1999	Vasko	604/65

(75) Inventors: **Paul S. Cheney, II**, Winnetka; **Silvana Martirosian**, Glendale, both of CA (US)

* cited by examiner

(73) Assignee: **MiniMed Inc.**, Northridge, CA (US)

Primary Examiner—Ian Simmons

(**) Term: **14 Years**

(74) *Attorney, Agent, or Firm*—MiniMed Inc.

(21) Appl. No.: **29/131,830**

(22) Filed: **Oct. 30, 2000**

(57) **CLAIM**

The ornamental design of a communication station for an infusion pump, as shown and described.

Related U.S. Application Data

DESCRIPTION

(63) Continuation-in-part of application No. 29/087,251, filed on Apr. 29, 1998, now Pat. No. Des. 434,142.

FIG. 1 is a perspective view showing the top, front and right sides of a communication station for an infusion pump embodying the new design;

(51) **LOC (7) Cl.** **24-02**

FIG. 2 is a top plan view of FIG. 1;

(52) **U.S. Cl.** **D24/111; D24/108; D13/108**

FIG. 3 is a bottom plan view thereof;

(58) **Field of Search** D24/108, 111, D24/107, 177, 185, 184, 186, 187; 604/65, 67, 131, 207, 151; 128/904, 920, DIG. 28; 320/107, 113, 114, DIG. 35; D13/108, 107; 340/825.54

FIG. 4 is a left side elevation view thereof;

FIG. 5 is a right side elevation view thereof;

FIG. 6 is a front elevation view thereof;

FIG. 7 is a rear elevation view thereof; and,

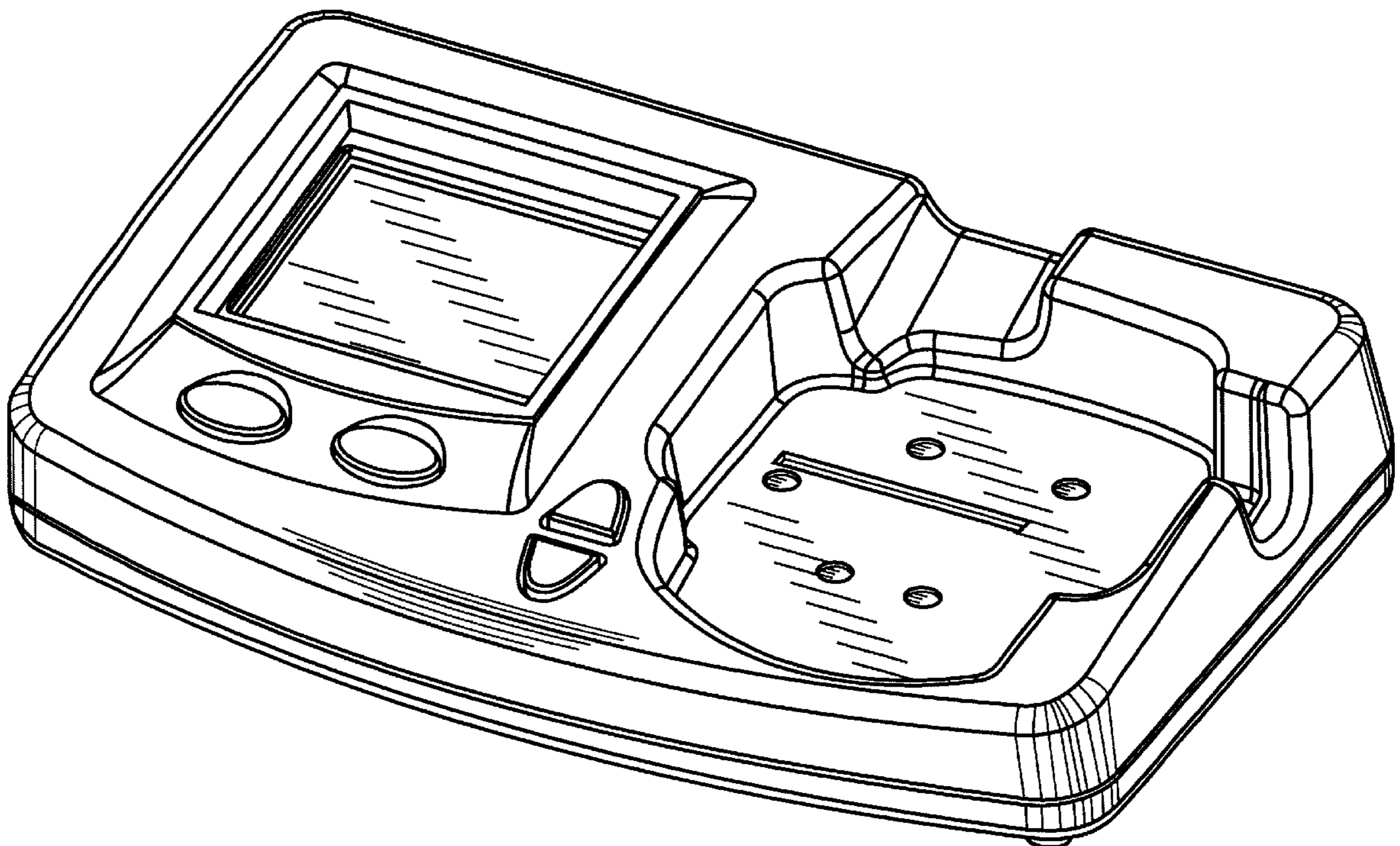
FIG. 8 is a perspective view showing the top, rear and left sides thereof.

(56) **References Cited**

U.S. PATENT DOCUMENTS

4,270,532 * 6/1981 Franetzki et al. 604/151

1 Claim, 8 Drawing Sheets



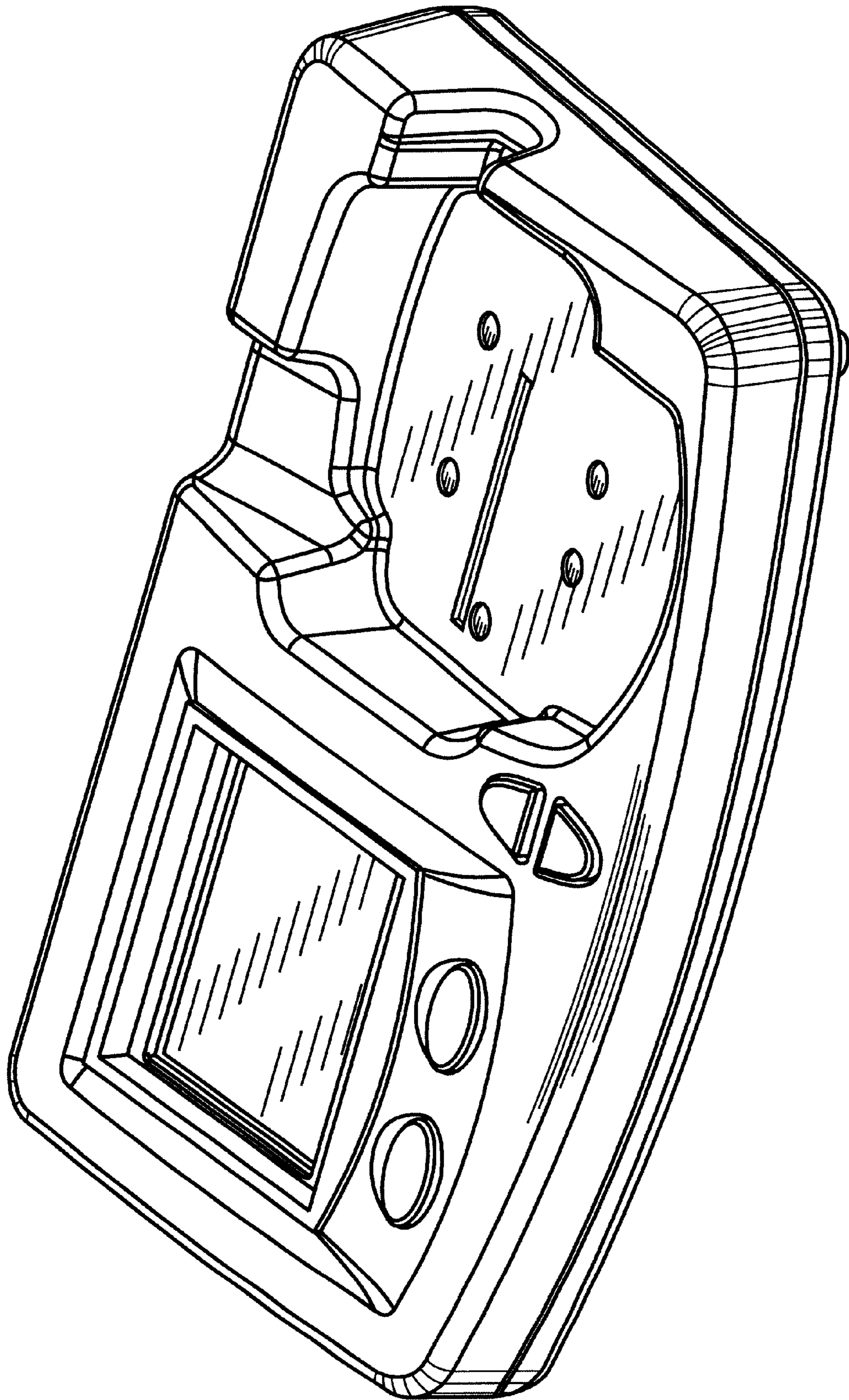


FIG. 1

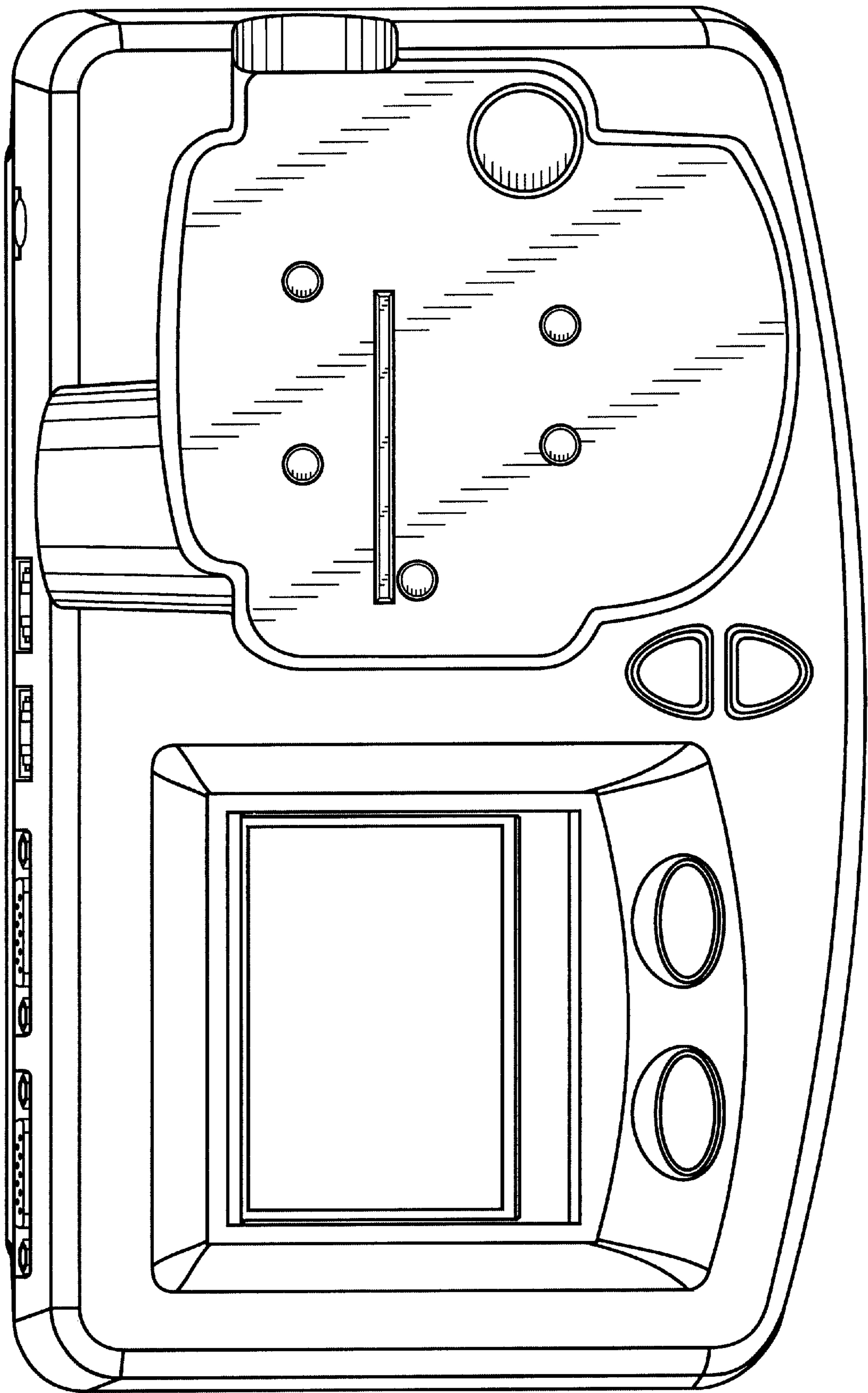


FIG. 2

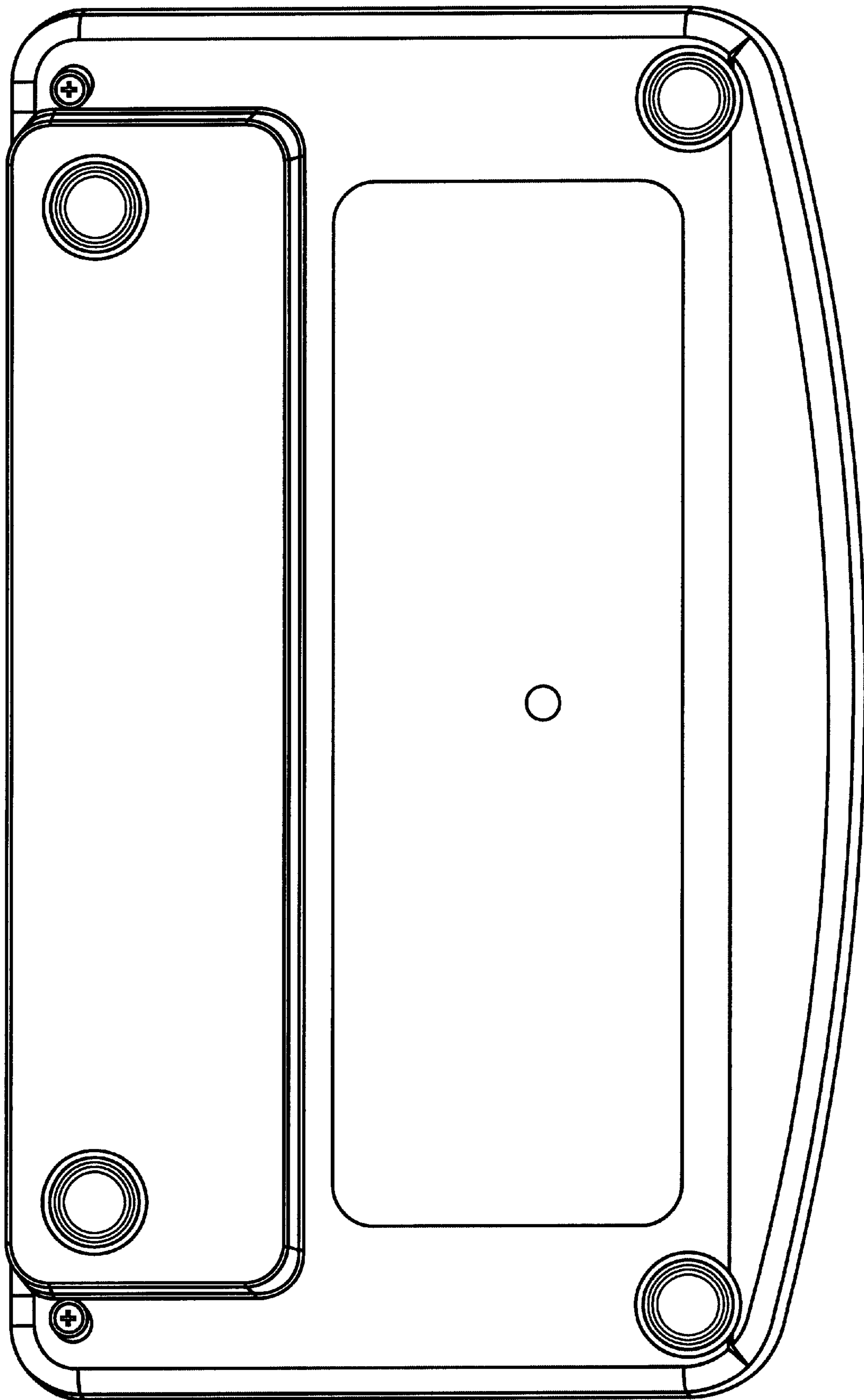


FIG. 3

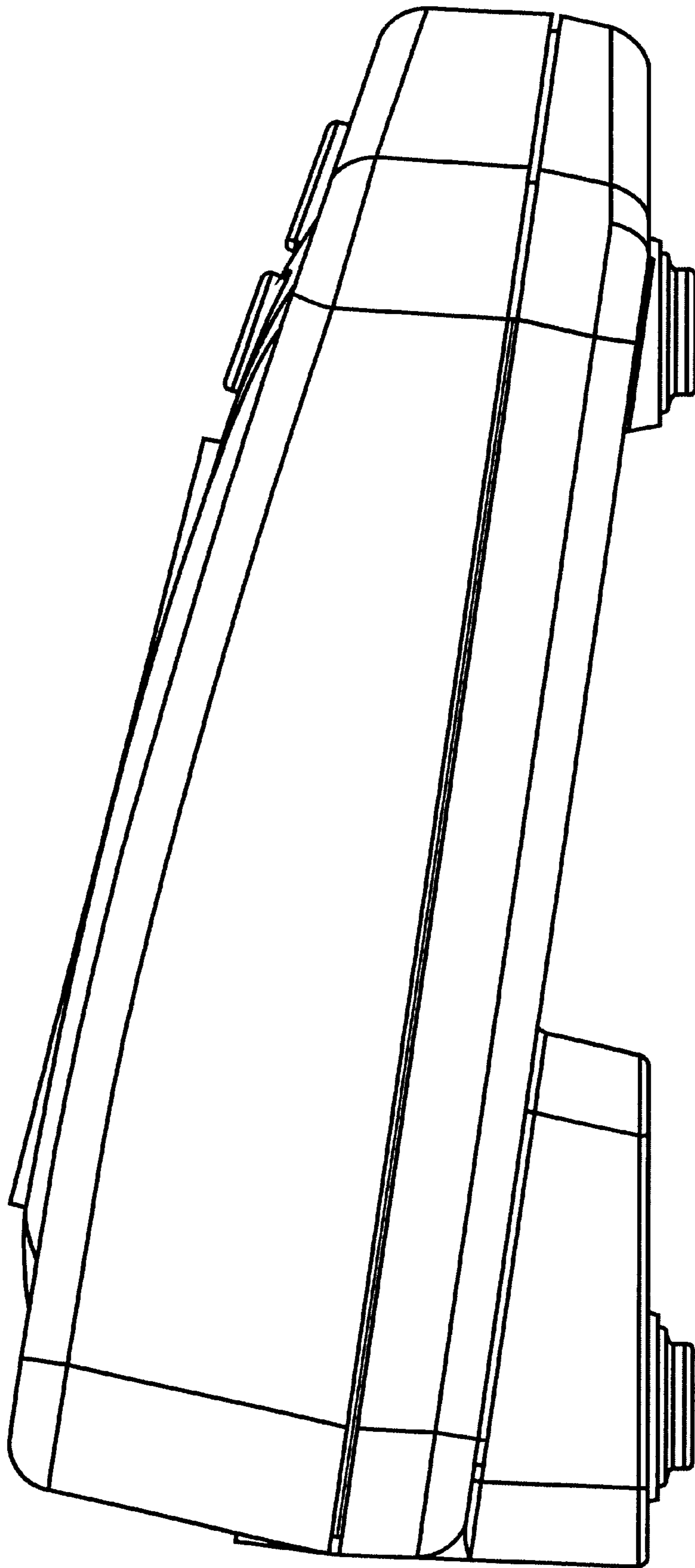


FIG. 4

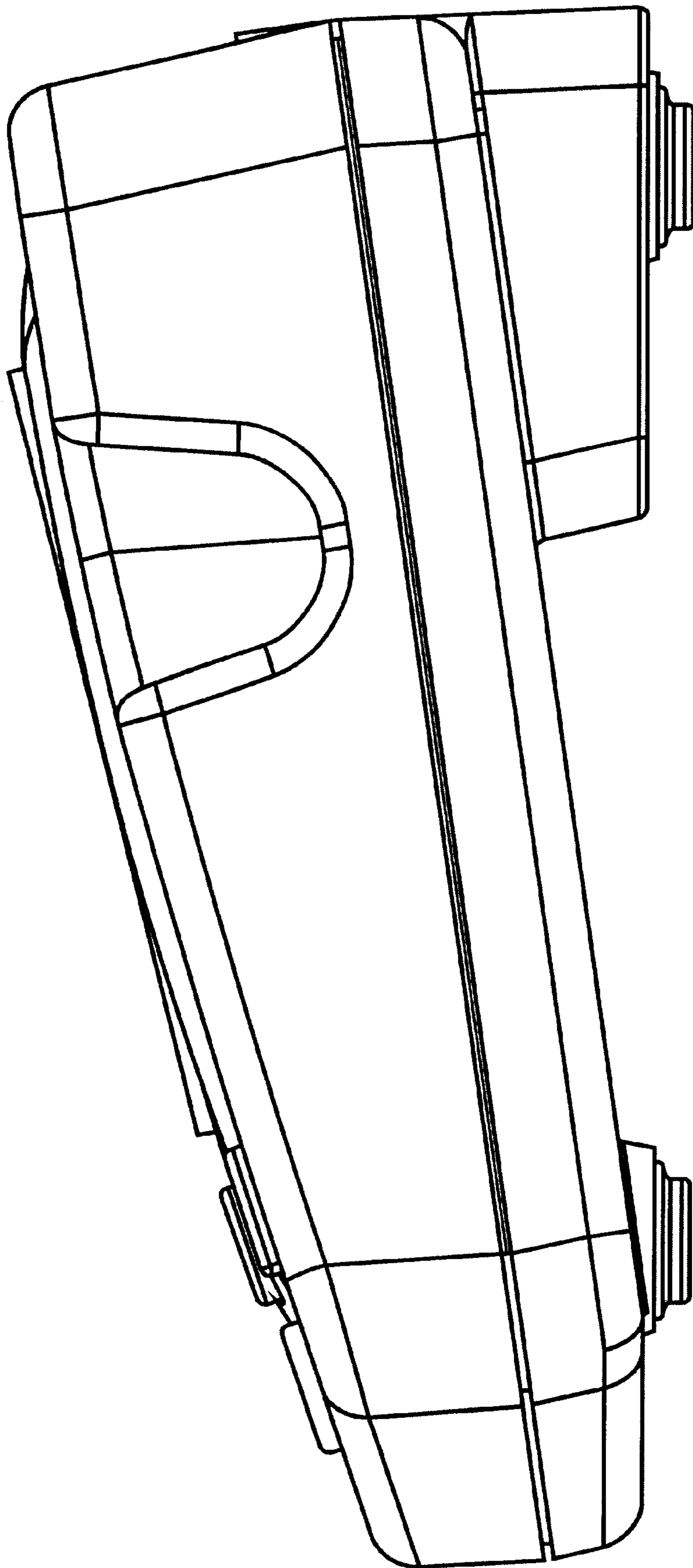


FIG. 5

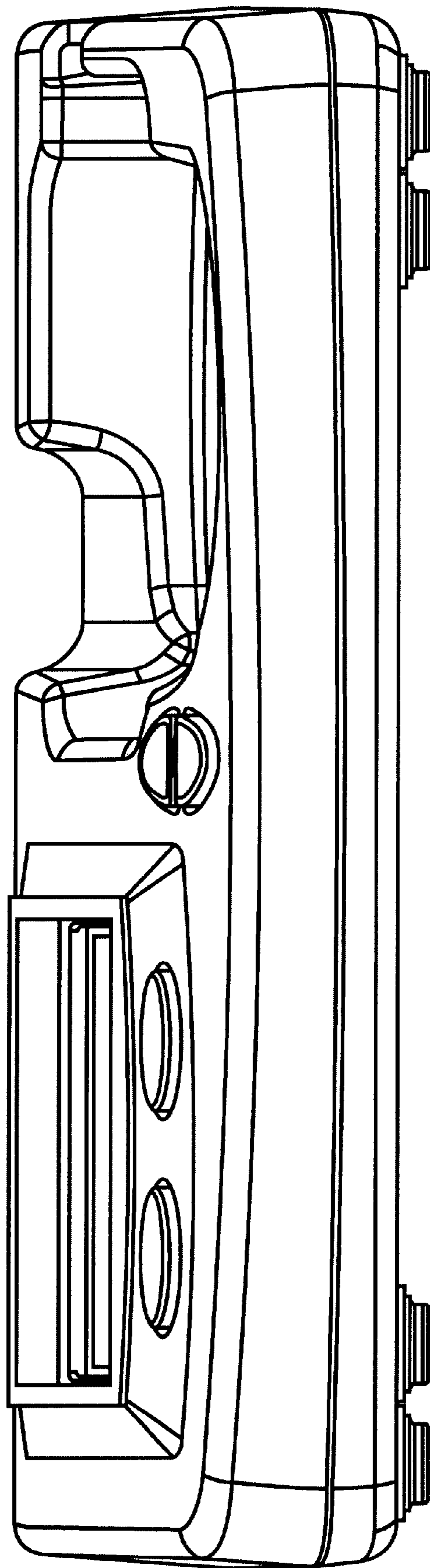


FIG. 6

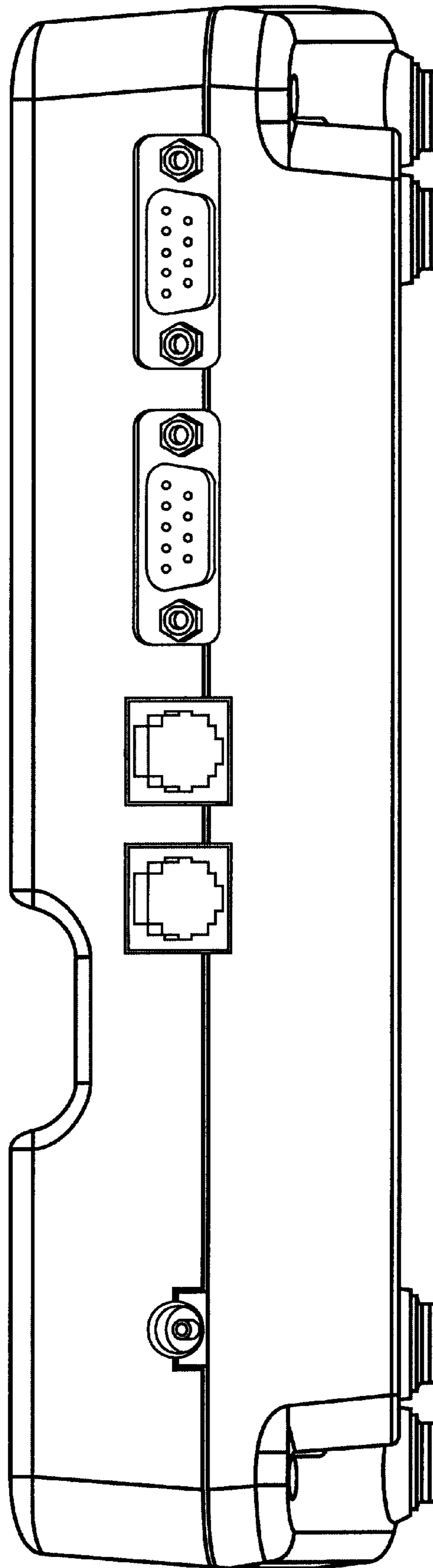


FIG. 7

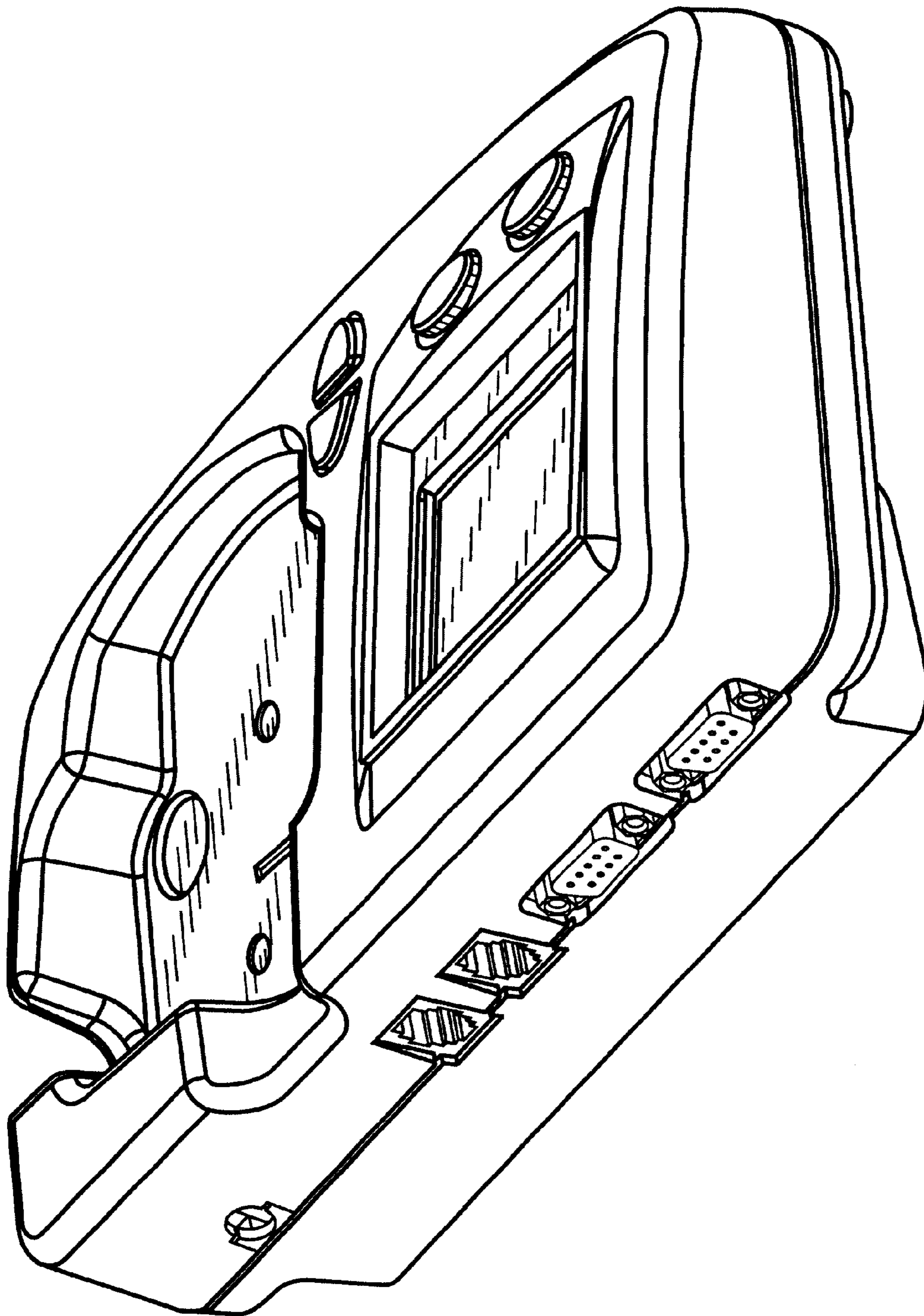


FIG. 8