



US00D446850B1

(12) **United States Design Patent**
Arlotta et al.

(10) **Patent No.:** **US D446,850 S**

(45) **Date of Patent:** **** Aug. 21, 2001**

(54) **LOUVERED VENTILATION PANEL**

(75) Inventors: **Angelo Arlotta; David Kieseckamp,**
both of Ottawa; **Bevin Schmidt,**
Dunrobin, all of (CA)

(73) Assignee: **Alcatel Canada, Inc. (CA)**

(**) Term: **14 Years**

(21) Appl. No.: **29/119,094**

(22) Filed: **Feb. 23, 2000**

(51) **LOC (7) Cl.** **23-04**

(52) **U.S. Cl.** **D23/393**

(58) **Field of Search** D23/393, 388;
454/338, 201; 62/427, 262, 263, 429; 55/283,
302, 294, 337, 418

(56) **References Cited**

U.S. PATENT DOCUMENTS

D. 103,308 * 2/1937 Covell D23/388

D. 285,830 * 9/1986 Daily et al. D23/388
3,783,637 * 1/1974 Woods 454/338
4,174,204 * 11/1979 Chase 55/302

* cited by examiner

Primary Examiner—Mitchell Siegel

(74) *Attorney, Agent, or Firm*—Larson & Taylor, PLC

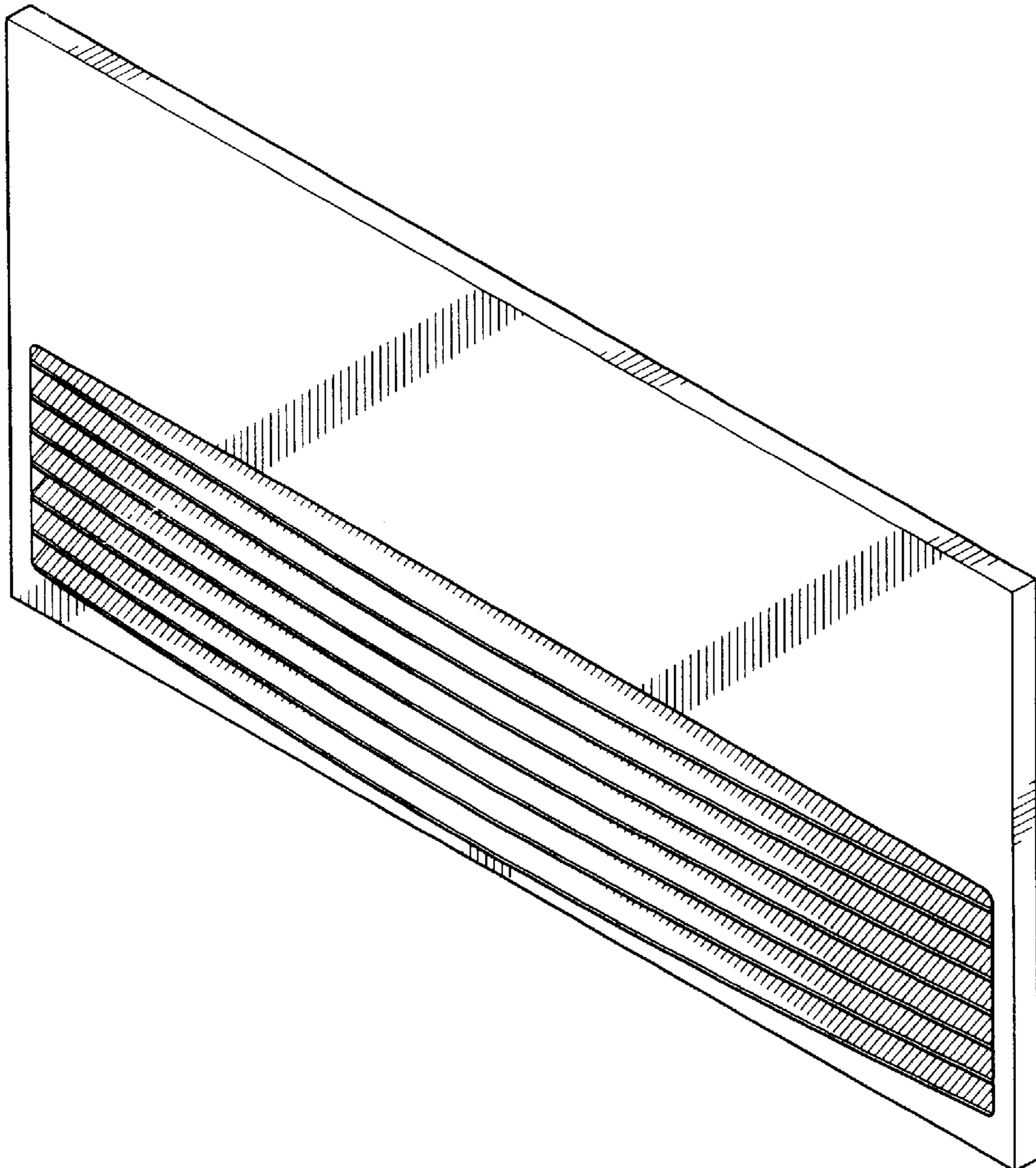
(57) **CLAIM**

The ornamental design of a louvered ventilation panel, as shown and described.

DESCRIPTION

FIG. 1 is a front elevational view of the louvered ventilation panel;
FIG. 2 is a right hand view thereof, the left hand view thereof being a mirror view of the said right hand view;
FIG. 3 is a top elevational view thereof;
FIG. 4 is a bottom elevational view thereof;
FIG. 5 is a front isometric view thereof; and,
FIG. 6 is a rear isometric view thereof.

1 Claim, 3 Drawing Sheets



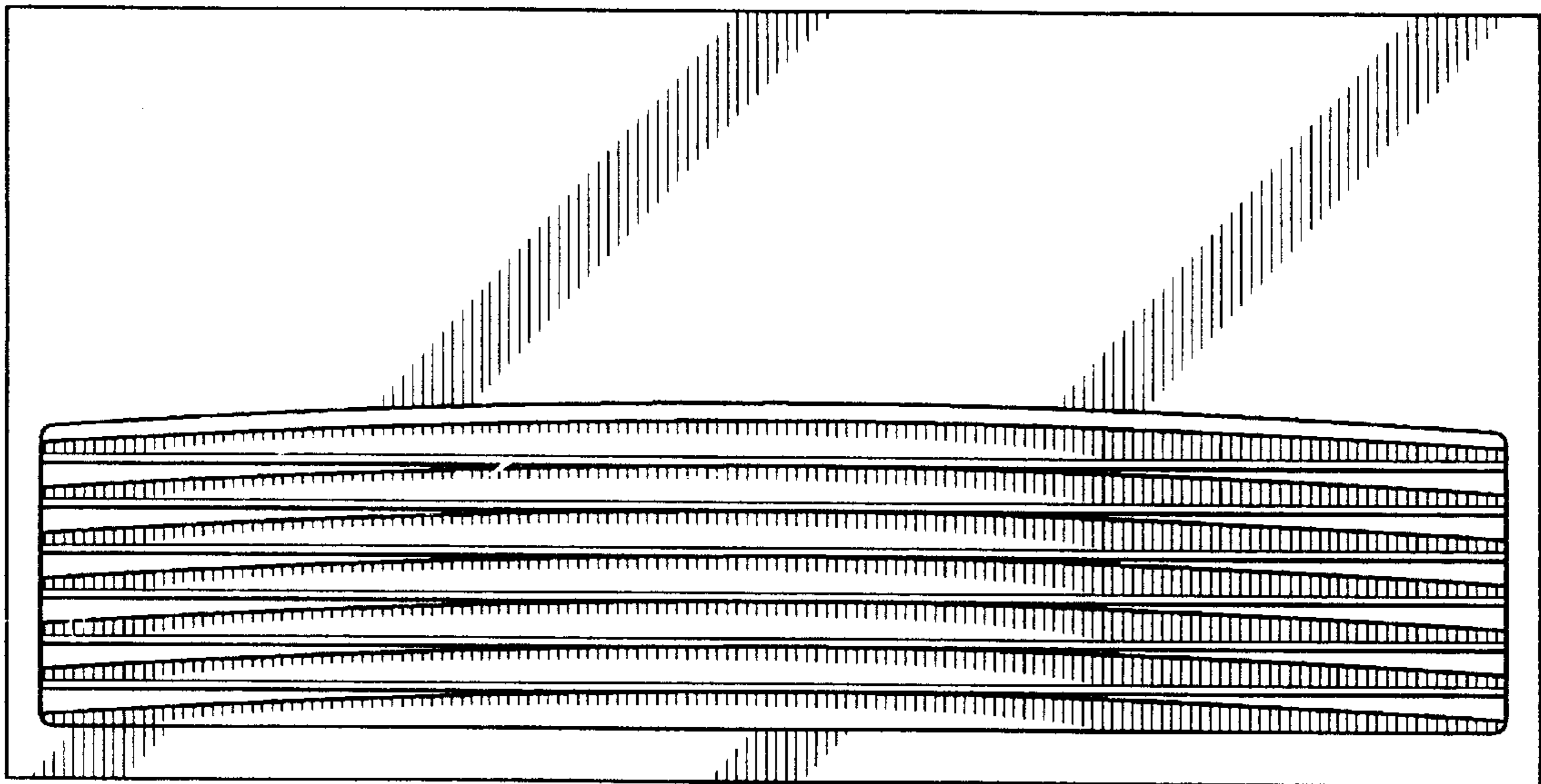


Figure 1



Figure 2



Figure 3

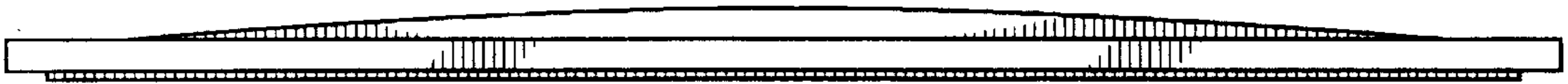


Figure 4

