



US00D446846B1

(12) **United States Design Patent**  
**Ferrer Beltran**

(10) **Patent No.:** **US D446,846 S**

(45) **Date of Patent:** **\*\* Aug. 21, 2001**

(54) **WASHBASIN AND FURNITURE STAND**

(75) Inventor: **Jose M<sup>a</sup> Ferrer Beltran, Bonrepos (ES)**

(73) Assignee: **Ibergesfer, S.L. (ES)**

(\*\*) Term: **14 Years**

(21) Appl. No.: **29/129,600**

(22) Filed: **Sep. 18, 2000**

(30) **Foreign Application Priority Data**

Mar. 22, 2000 (ES) ..... 147959

(51) **LOC (7) Cl.** ..... **23-02**

(52) **U.S. Cl.** ..... **D23/286**

(58) **Field of Search** ..... D23/270-274,  
D23/284-286, 289, 293.1, 303, 308; 4/619,  
630-632, 638, 640, 643; D6/396-397, 405,  
480, 573; 108/24, 154, 161, 156

(56) **References Cited**

**U.S. PATENT DOCUMENTS**

- D. 322,473 \* 12/1991 Reid ..... D23/284
- D. 411,288 \* 6/1999 Cuttriss ..... D23/284
- D. 430,274 \* 8/2000 Marshall ..... D23/284
- 3,981,250 \* 9/1976 Anthony ..... 108/156 X
- 4,242,969 \* 1/1981 Checkwood et al. .... 108/156 X

\* cited by examiner

*Primary Examiner*—Louis S. Zarfaz

*Assistant Examiner*—Robert A. Delehanty

(74) *Attorney, Agent, or Firm*—Lackebach Siegel  
Marzullo Aronson & Greenspan

(57) **CLAIM**

The ornamental design for a washbasin and furniture stand,  
as shown and described.

**DESCRIPTION**

FIG. 1 is a front, left side perspective view of a washbasin and furniture stand showing my new design with the two rungs shown in cross-section in order to typically show the profile thereof;

FIG. 2 is a top plan view of the stand shown separately for convenience of illustration;

FIG. 3 is a front elevation view of the stand shown in FIG. 2;

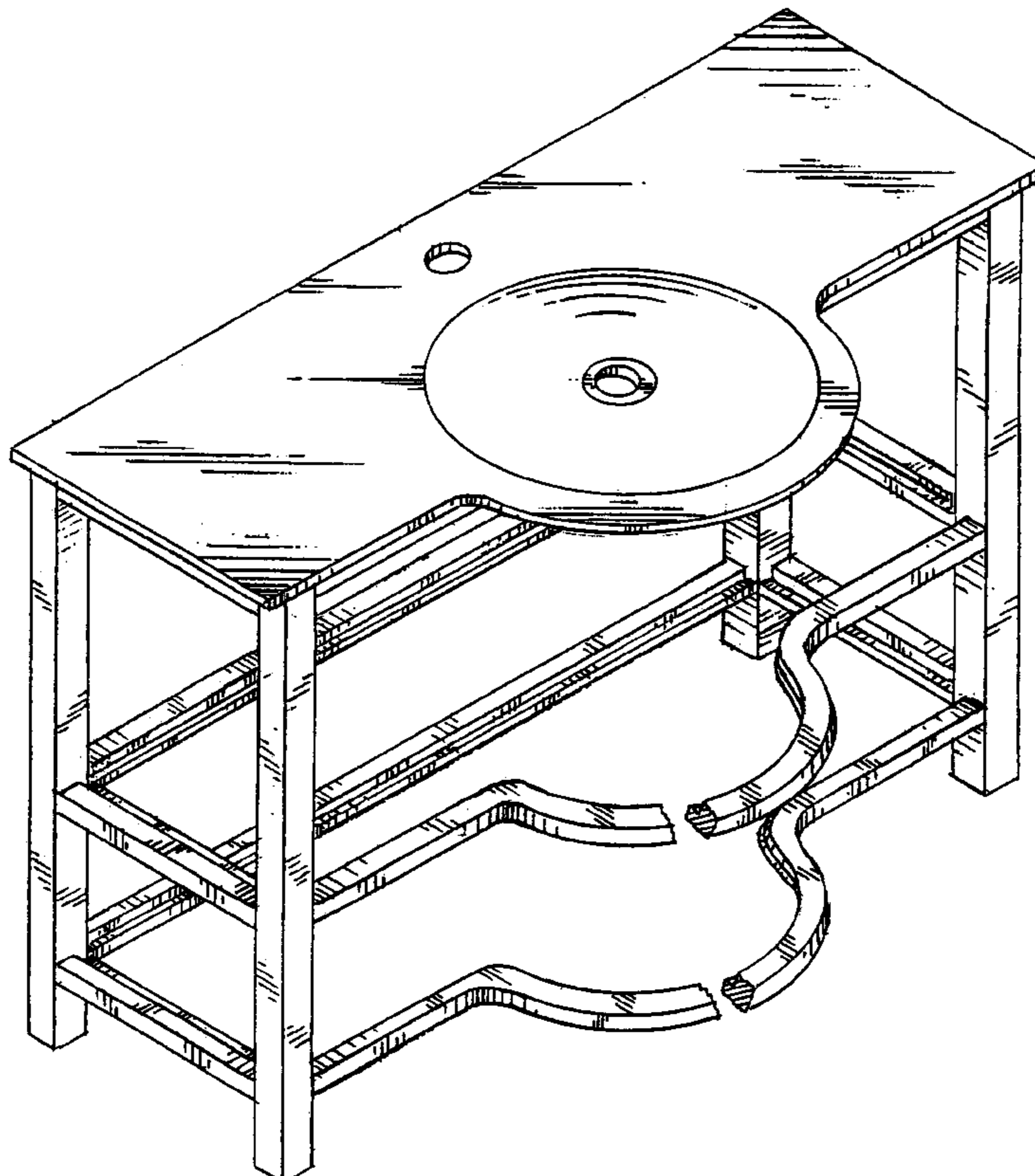
FIG. 4 is a left side elevation view of the stand shown in FIG. 2, the right side being a mirror image thereof;

FIG. 5 is an enlarged top plan view of the washbasin and top counter piece shown separately for convenience of illustration;

FIG. 6 is an enlarged left side elevation view of the washbasin shown in FIG. 5 with a bottom edge shown in cross-section for clarity of illustration; and,

FIG. 7 is a front elevation view of the washbasin shown in FIG. 5.

**1 Claim, 3 Drawing Sheets**



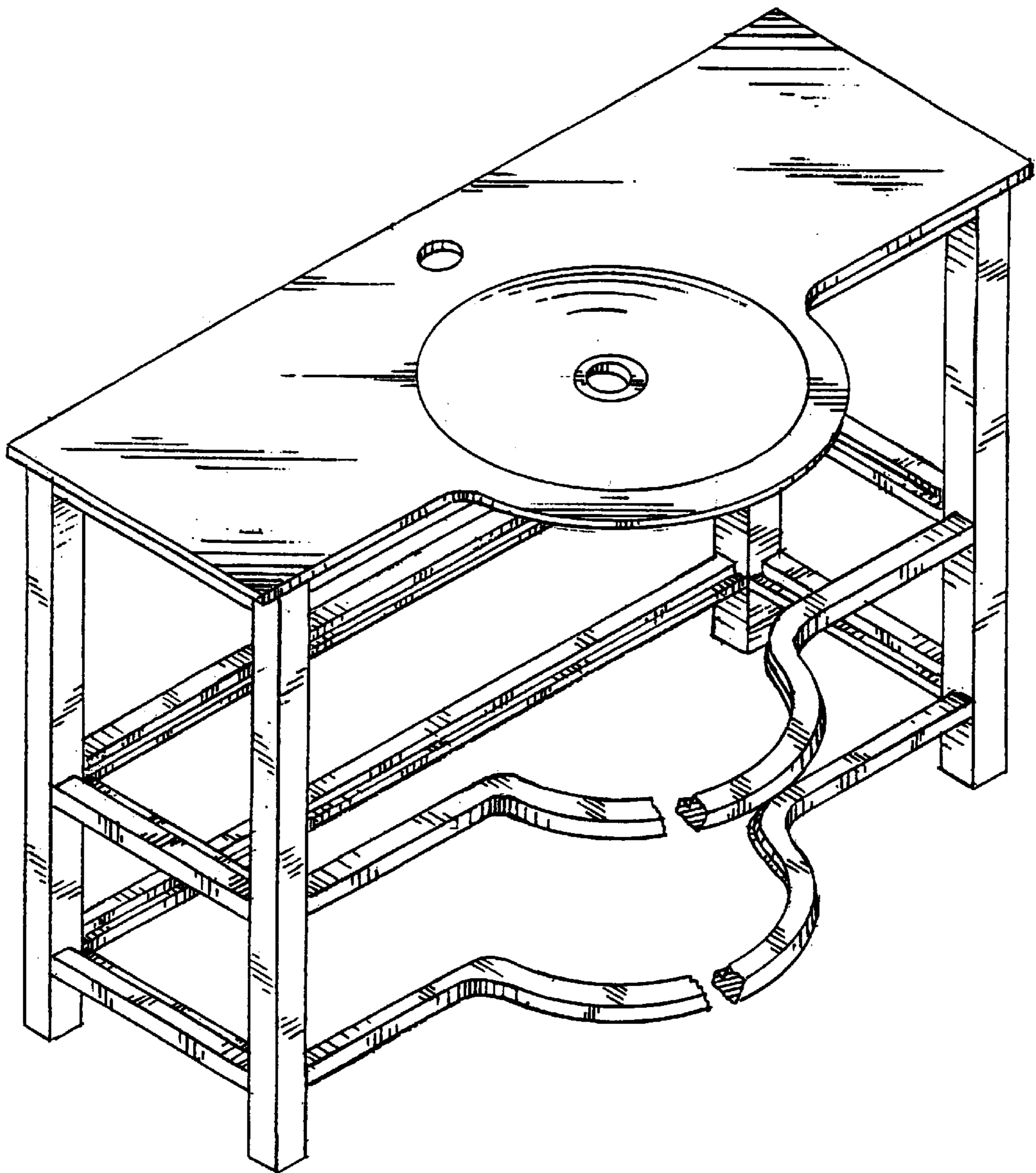


FIG. 1

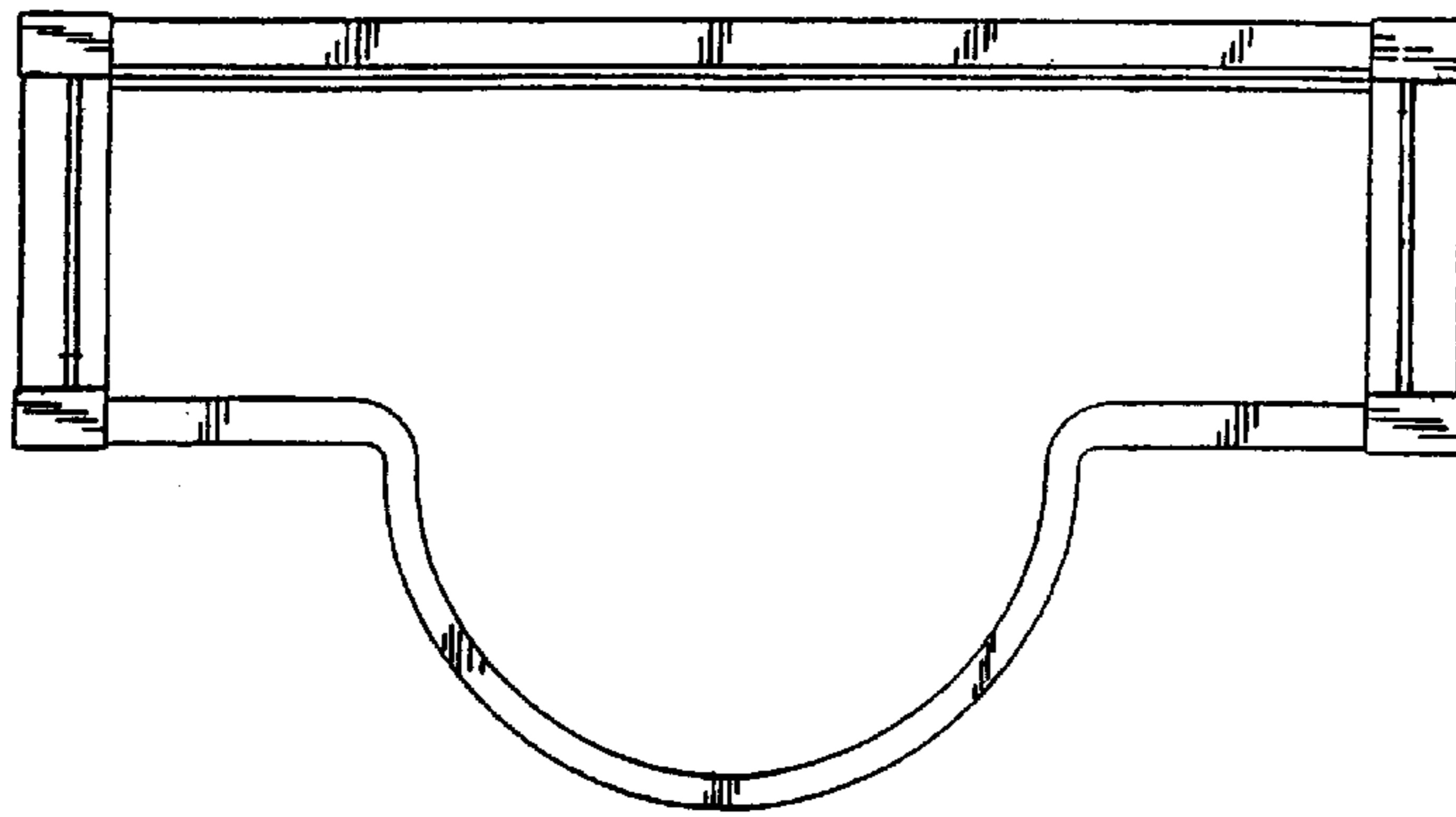


FIG. 2

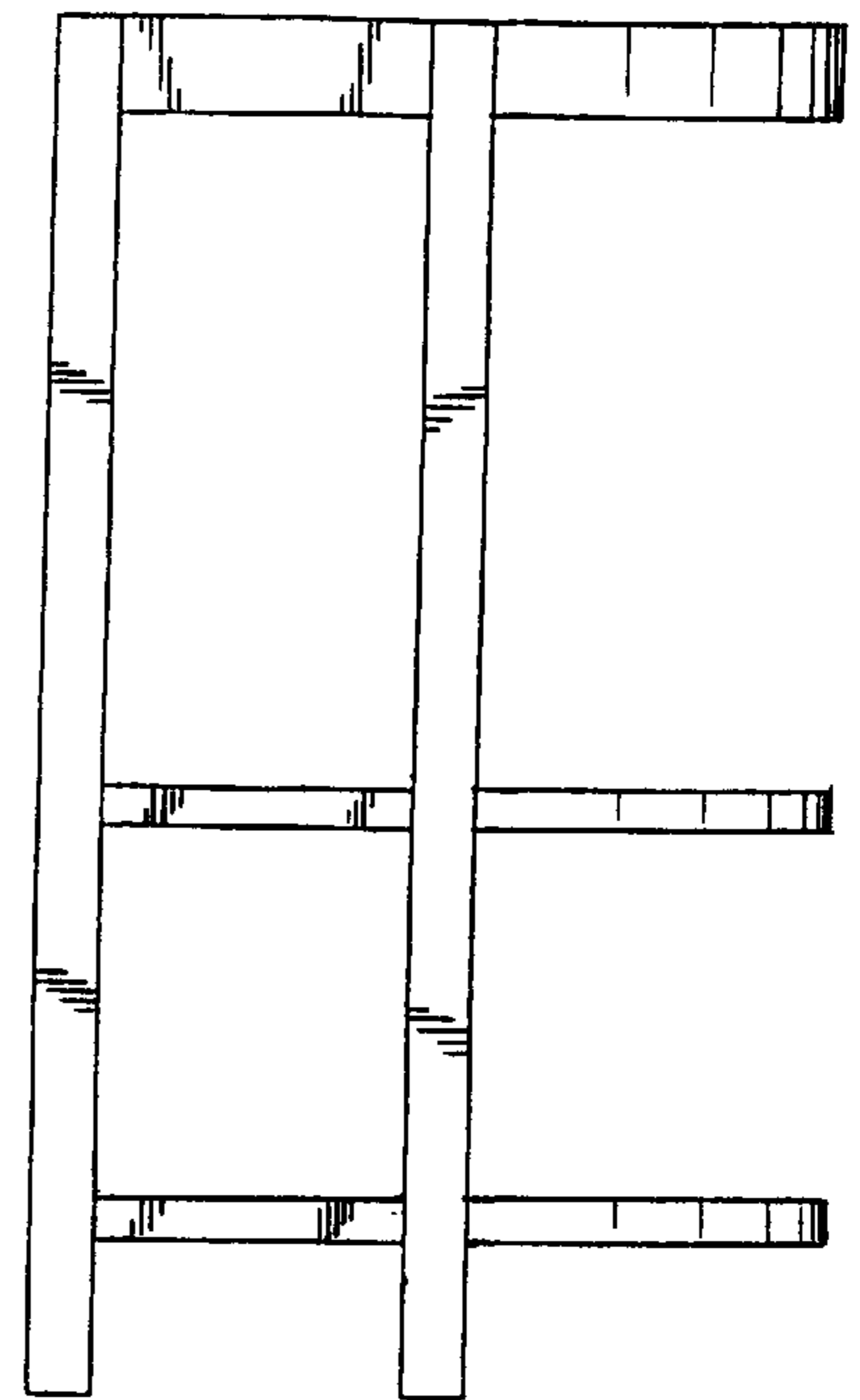


FIG. 4

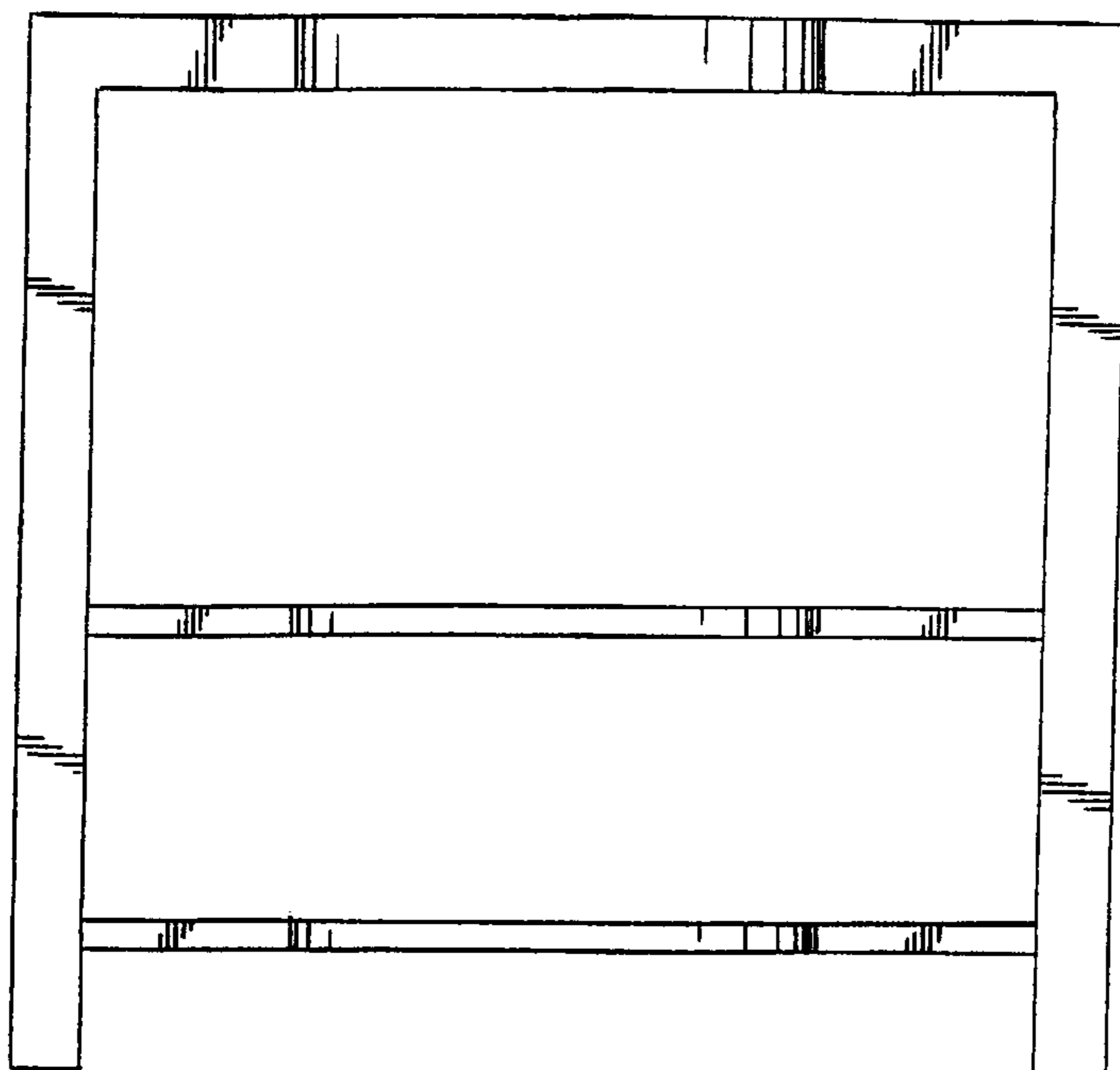


FIG. 3

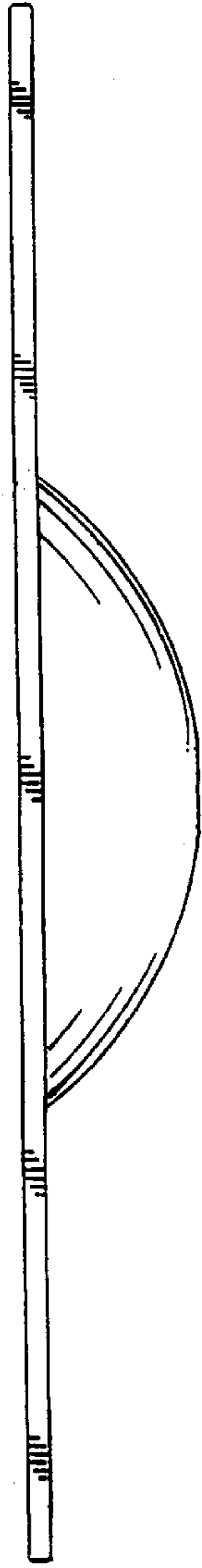


FIG. 7

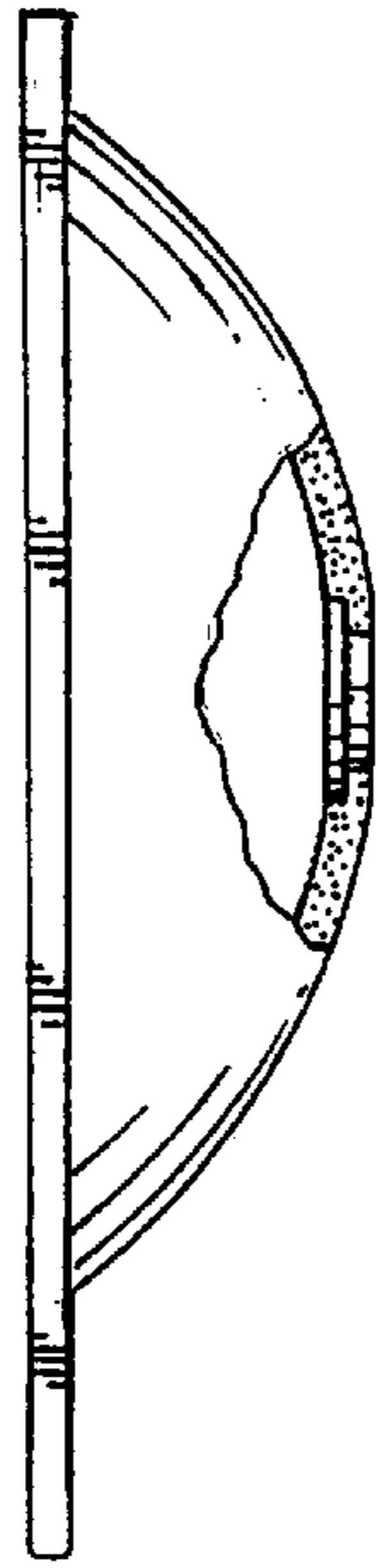


FIG. 6

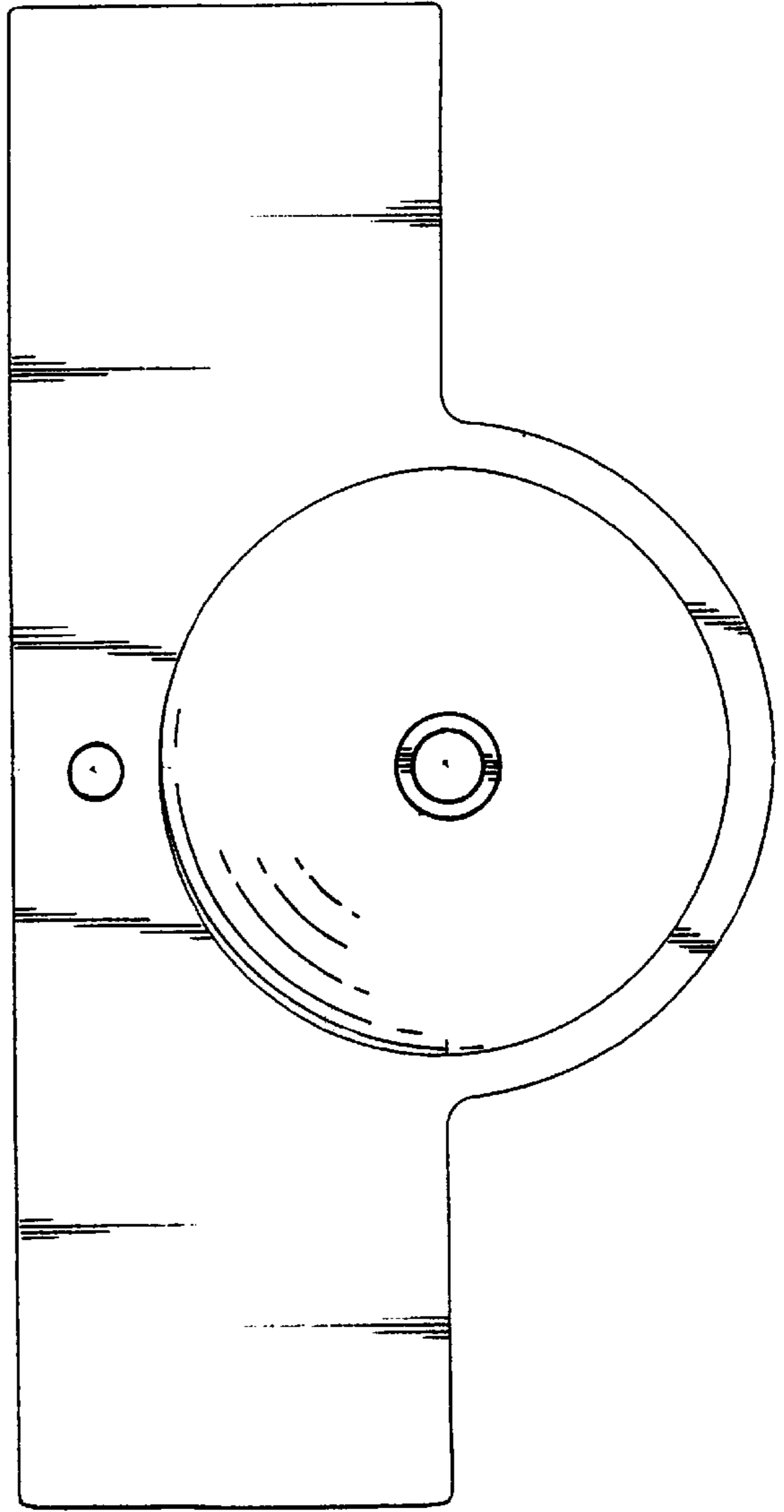


FIG. 5