



US00D446843B1

(12) **United States Design Patent**
Martinez

(10) **Patent No.:** **US D446,843 S**

(45) **Date of Patent:** **** Aug. 21, 2001**

(54) **FAUCET SPOUT**

(75) Inventor: **Anthony Martinez**, Lake Villa, IL (US)

(73) Assignee: **The Chicago Faucet Company**, Des Plaines, IL (US)

(**) Term: **14 Years**

(21) Appl. No.: **29/133,396**

(22) Filed: **Nov. 29, 2000**

(51) **LOC (7) Cl.** **23-01**

(52) **U.S. Cl.** **D23/255**

(58) **Field of Search** D23/238-243,
D23/245, 249-257; D8/300-310, 350-354;
4/675-678; 16/110 R-121; 137/801

(56) **References Cited**

U.S. PATENT DOCUMENTS

- D. 314,040 * 1/1991 Hieeck D23/238
- D. 341,873 * 11/1993 Allen et al. D24/238
- D. 353,876 * 12/1994 Delabie et al. D23/238

* cited by examiner

Primary Examiner—Louis S. Zarfaz

Assistant Examiner—Gregory Andoll

(74) *Attorney, Agent, or Firm*—Leydig, Voit & Mayer, Ltd.

(57) **CLAIM**

The ornamental design for a faucet spout, as shown and described.

DESCRIPTION

FIG. 1 is a perspective view of the faucet spout of the invention;

FIG. 2 is a top plan view thereof;

FIG. 3 is a right side elevation thereof, the left side elevation being a mirror image thereof;

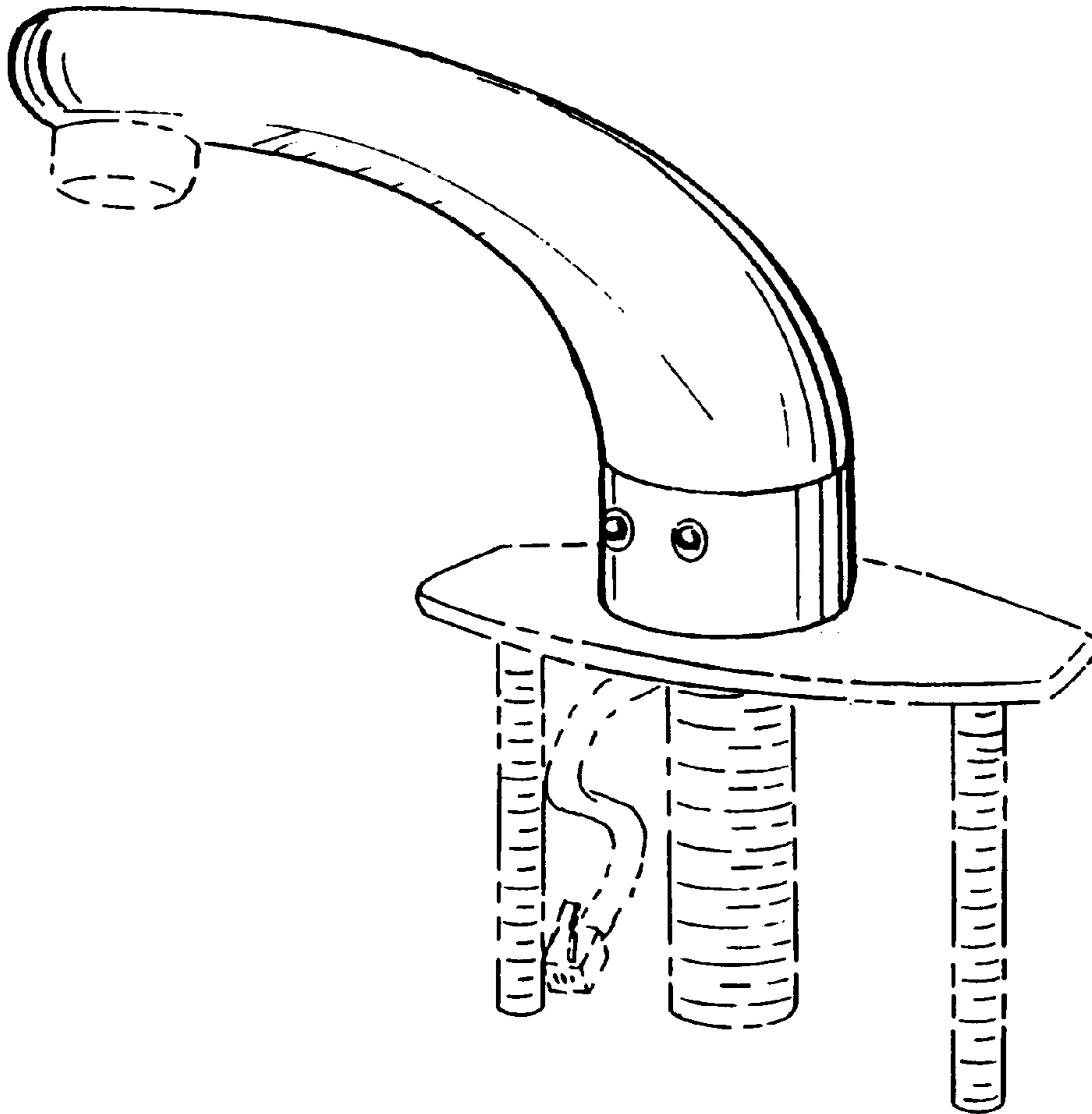
FIG. 4 is a front elevation thereof;

FIG. 5 is a bottom plan view thereof; and,

FIG. 6 is a rear elevation thereof.

The broken lines in FIGS. 1-6 showing a water aeration nozzle, a feed line, threaded mounting shafts, an electronic control line, and a base are for illustrative purposes only and form no part of the claimed design for the faucet spout.

1 Claim, 2 Drawing Sheets



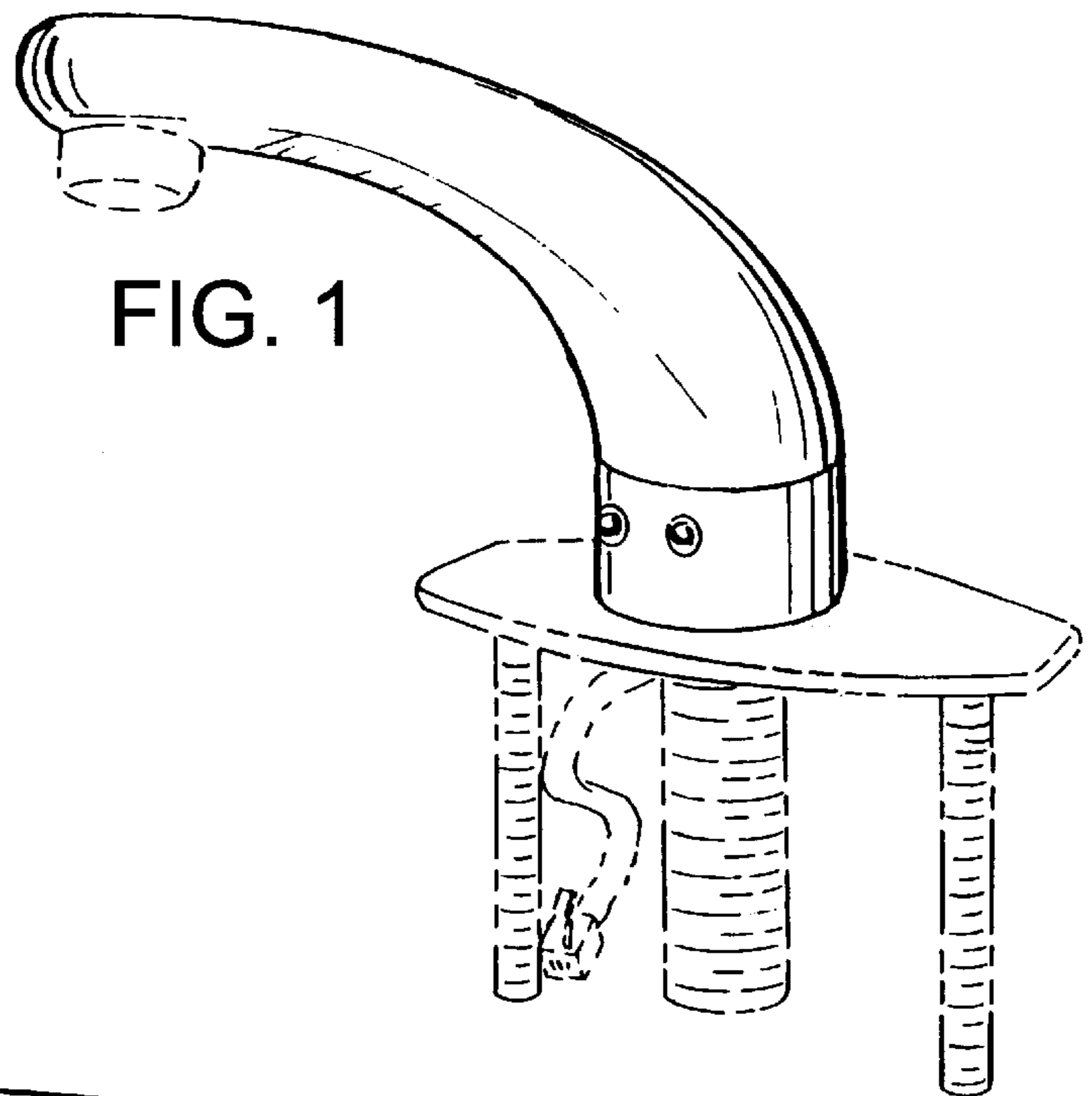


FIG. 1

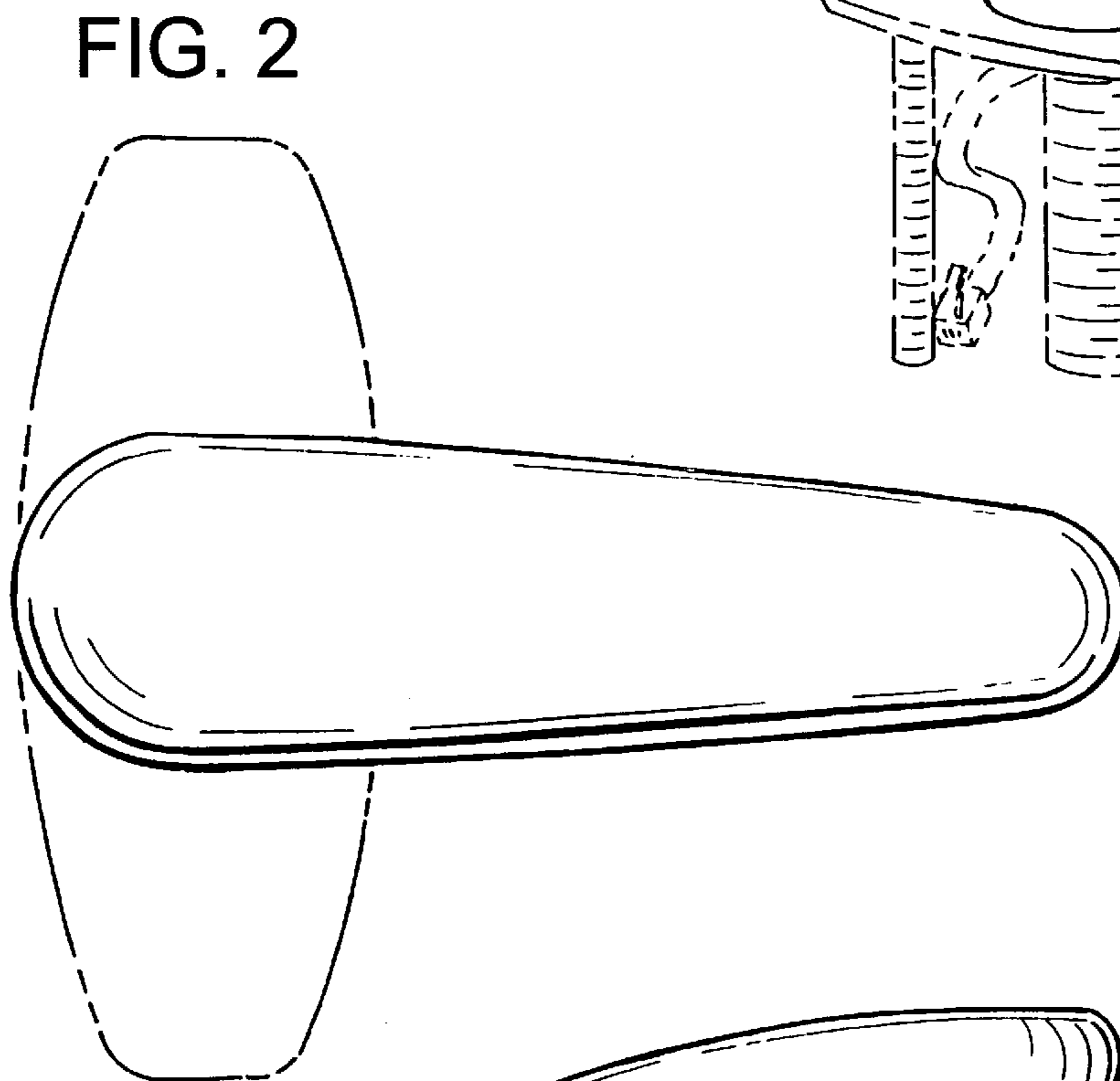


FIG. 2

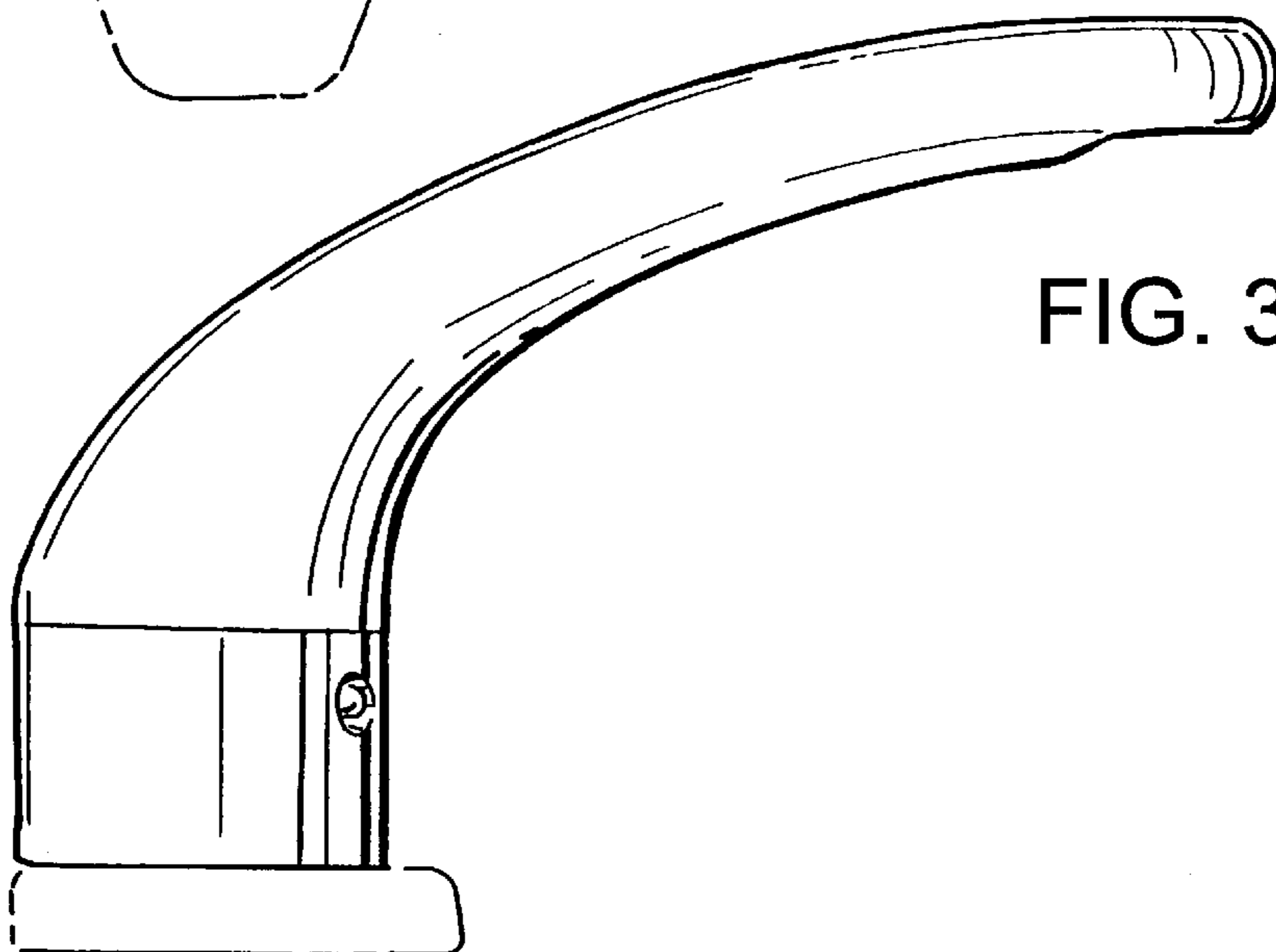


FIG. 3

