



US00D446839B1

(12) **United States Design Patent**  
**Cantrell**

(10) **Patent No.:** **US D446,839 S**

(45) **Date of Patent:** **\*\* Aug. 21, 2001**

(54) **SLEEVE ENCLOSURE FOR LIFTING A HUNTING FIREARM OR BOW**

5,661,920 \* 9/1997 Evans ..... 42/96  
6,019,404 2/2000 Pasquale .

(76) Inventor: **Raymond Cantrell**, 37691 Wabash,  
Romulus, MI (US) 48174

\* cited by examiner

(\*\*) Term: **14 Years**

*Primary Examiner*—Louis S. Zarfaz  
*Assistant Examiner*—Monica A. Weingart  
(74) *Attorney, Agent, or Firm*—Gifford, Krass, Groh,  
Sprinkle, Anderson & Citkowski, P.C.

(21) Appl. No.: **29/122,282**

(22) Filed: **Apr. 24, 2000**

(57) **CLAIM**

(51) **LOC (7) Cl.** ..... **22-01**

I claim the ornamental design for a sleeve enclosure for lifting a hunting firearm or bow, as shown and described.

(52) **U.S. Cl.** ..... **D22/108; D22/107**

**DESCRIPTION**

(58) **Field of Search** ..... D22/100, 107,  
D22/199; 124/23.1, 86; 150/154; 42/52,  
96; 206/316.1; 224/205

FIG. 1 is a perspective view of the sleeve enclosure for lifting a hunting firearm or bow showing my new design.

(56) **References Cited**

**U.S. PATENT DOCUMENTS**

D. 425,959	*	5/2000	Gibbs	.....	D22/107
859,932	*	7/1907	Edwards	.....	42/96
1,018,015		2/1912	Sims	.	
3,437,247	*	4/1969	Gantress	.....	42/96
3,910,382		10/1975	Justice	.	
4,760,944	*	8/1988	Hughes	.....	124/23.1 X
4,790,096		12/1988	Gibson et al.	.	
4,869,363	*	9/1989	Goldberg	.....	150/154 X
5,022,572	*	6/1991	Brown	.....	150/154 X

FIG. 2 is a front side view forming a part of the present design;

FIG. 3 is a rear side view forming a part of the present design;

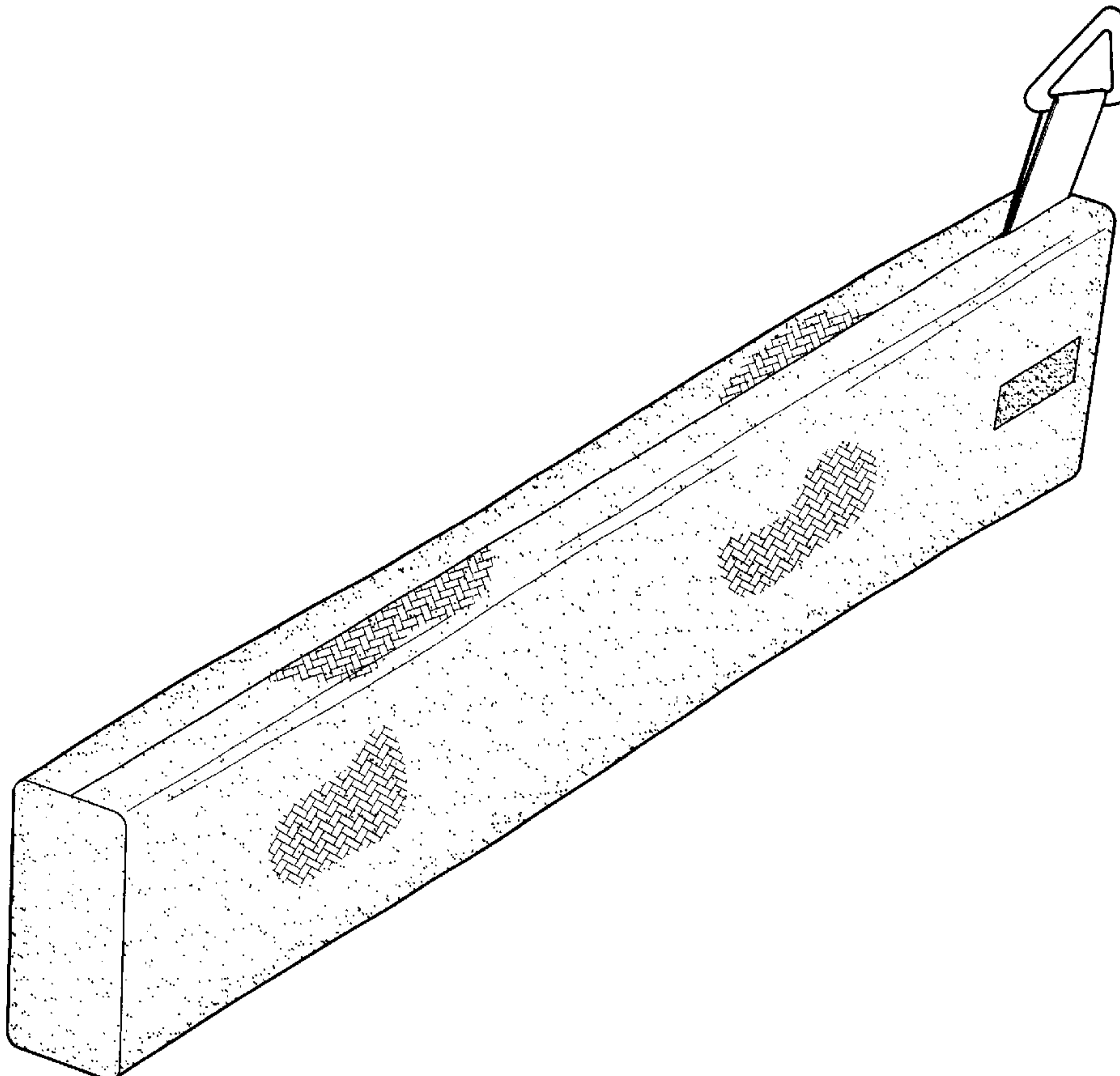
FIG. 4 is a top view forming a part of the present design;

FIG. 5 is a bottom view forming a part of the present design;

FIG. 6 is a front end view forming a part of the present design; and,

FIG. 7 is a rear end view forming a part of the present design.

**1 Claim, 2 Drawing Sheets**



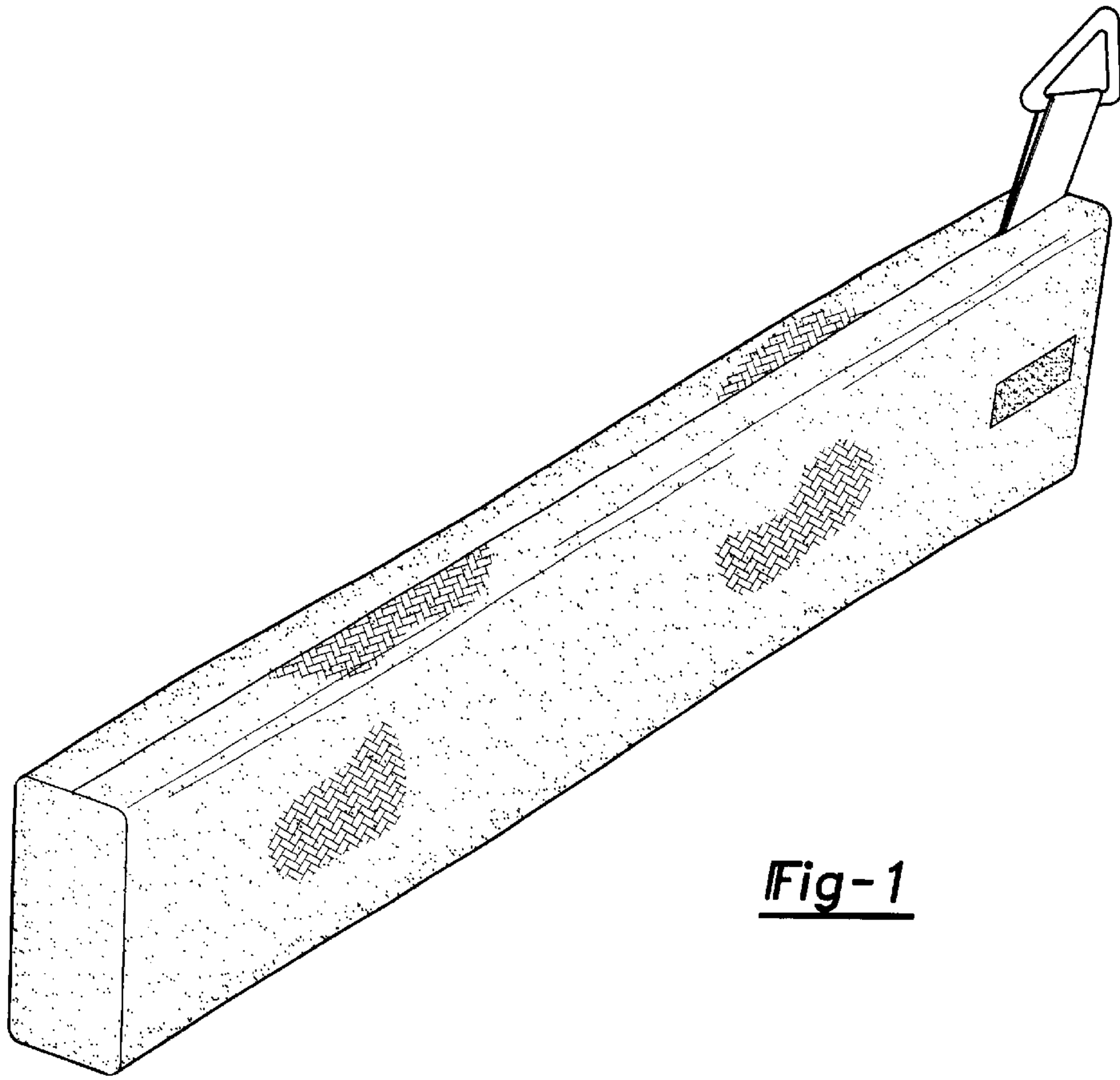


Fig-1

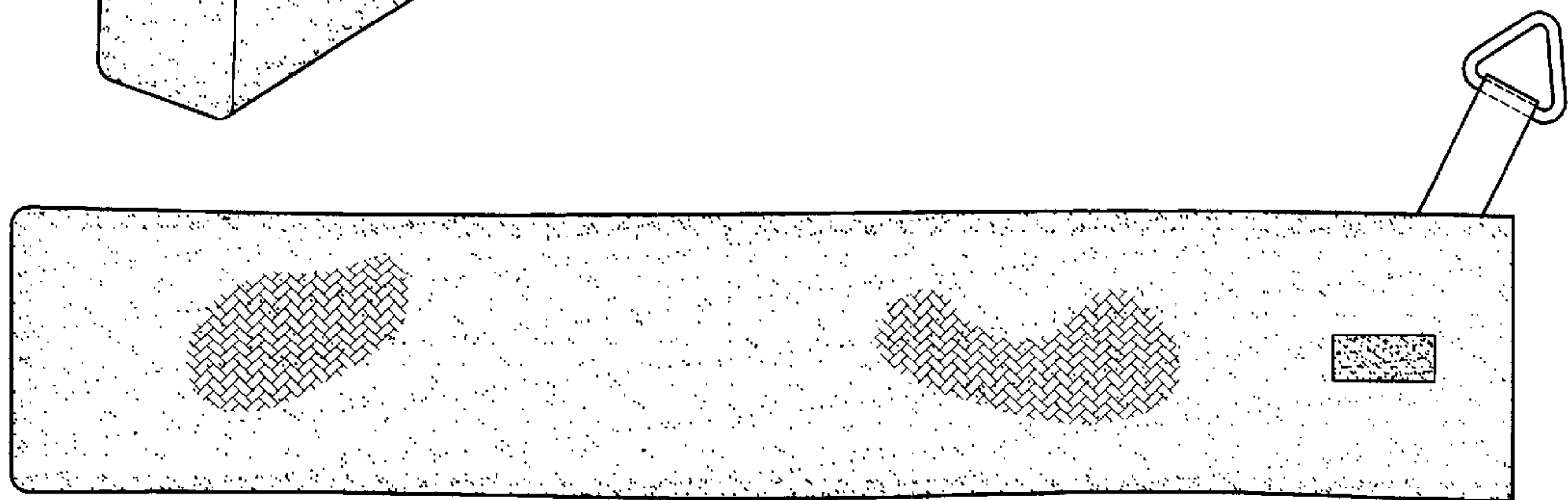


Fig-2

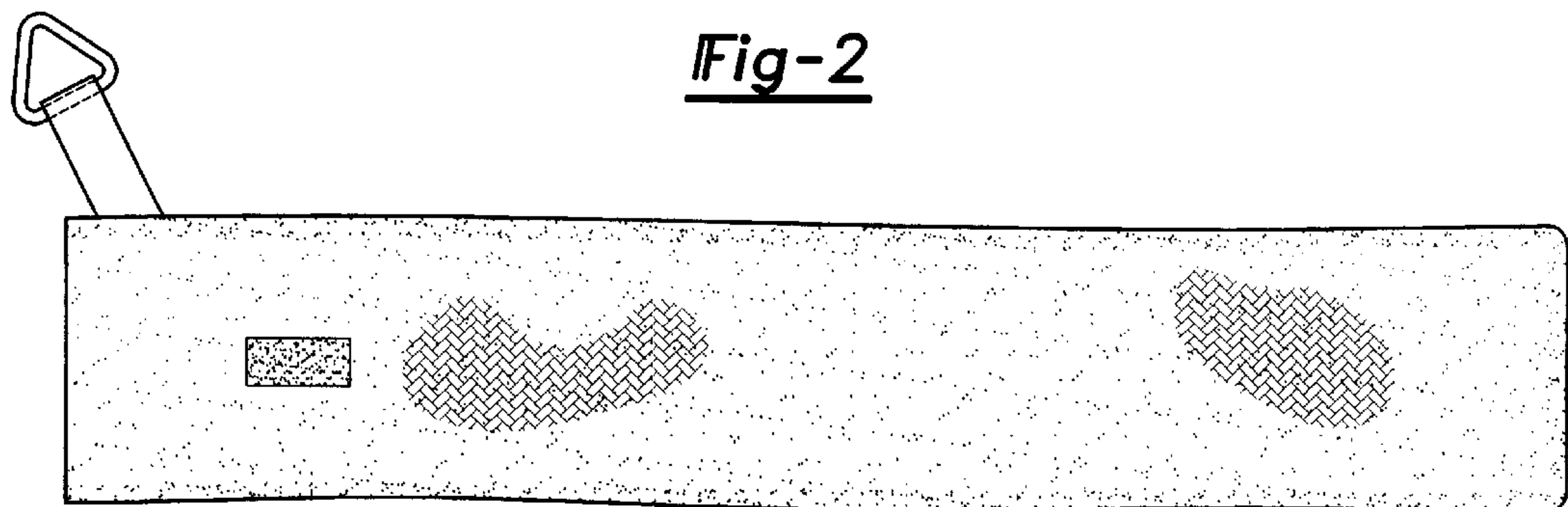


Fig-3

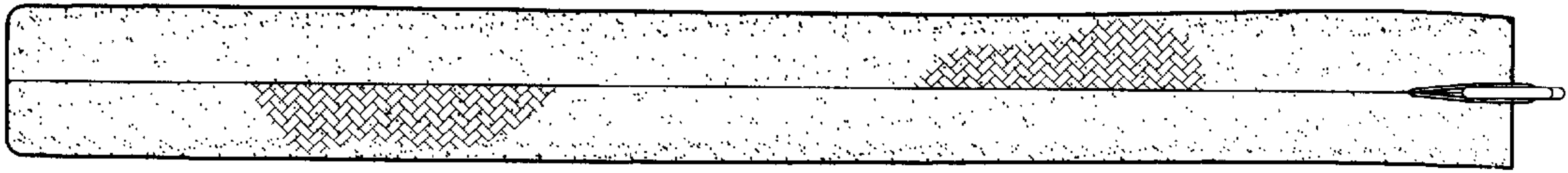


Fig-4



Fig-5

Fig-6

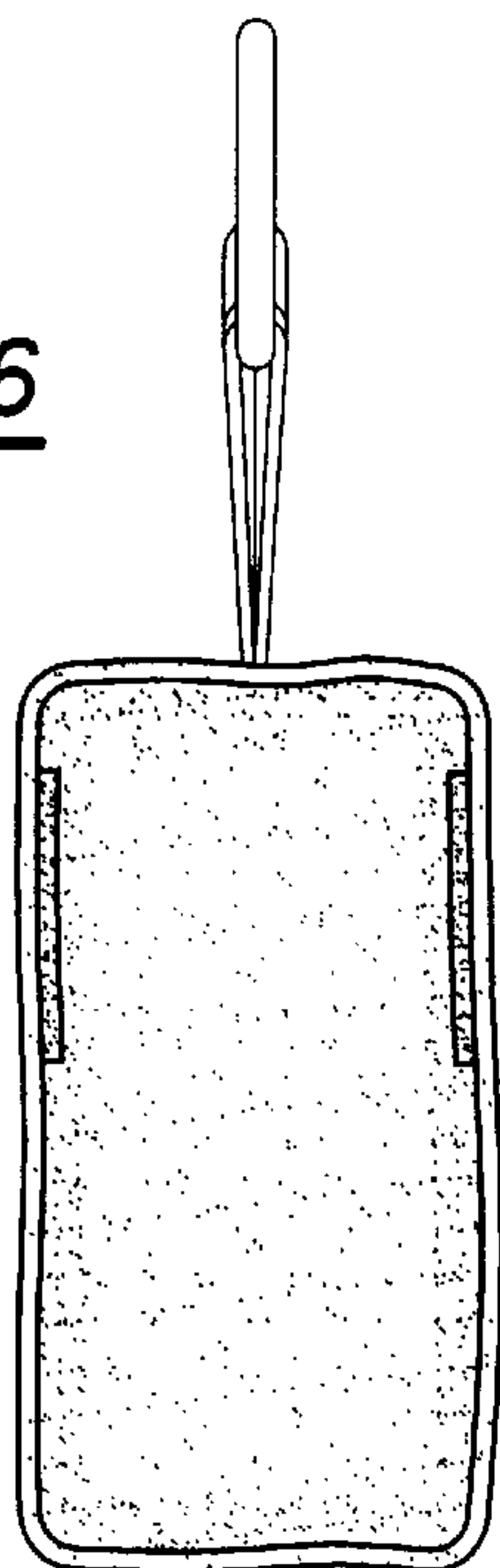


Fig-7

