



US00D446832B1

(12) **United States Design Patent**
Chen

(10) **Patent No.:** **US D446,832 S**

(45) **Date of Patent:** **** Aug. 21, 2001**

(54) **EXERCISER**

(76) Inventor: **Chih-Liang Chen**, No. 10, Lane 1431,
Kuanghsing Rd., Pateh City, Taoyuan
Hsien (TW)

(**) Term: **14 Years**

(21) Appl. No.: **29/134,446**

(22) Filed: **Dec. 22, 2000**

(51) **LOC (7) Cl.** **21-02**

(52) **U.S. Cl.** **D21/692**

(58) **Field of Search** D21/662, 684,
D21/692; 482/91, 121, 122, 123, 124, 125,
126, 127, 128

(56) **References Cited**

U.S. PATENT DOCUMENTS

D. 414,227	*	9/1999	Gvoich	D21/662
D. 426,275	*	6/2000	Sealy	D21/692
4,023,796	*	5/1977	Kusmer	482/126
4,465,276	*	8/1984	Cox	482/128
4,629,186	*	12/1986	Aldridge	482/126
4,861,022	*	8/1989	Boatcallie	482/126
5,267,929	*	12/1993	Chen	482/128
5,458,555	*	10/1995	Ko	482/126

5,674,164	*	10/1997	Kravitz	482/126
5,779,605	*	7/1998	Tu	482/122
6,110,082	*	8/2000	Tsai	482/121

* cited by examiner

Primary Examiner—Philip S. Hyder

(74) *Attorney, Agent, or Firm*—Rosenberg, Klein & Lee

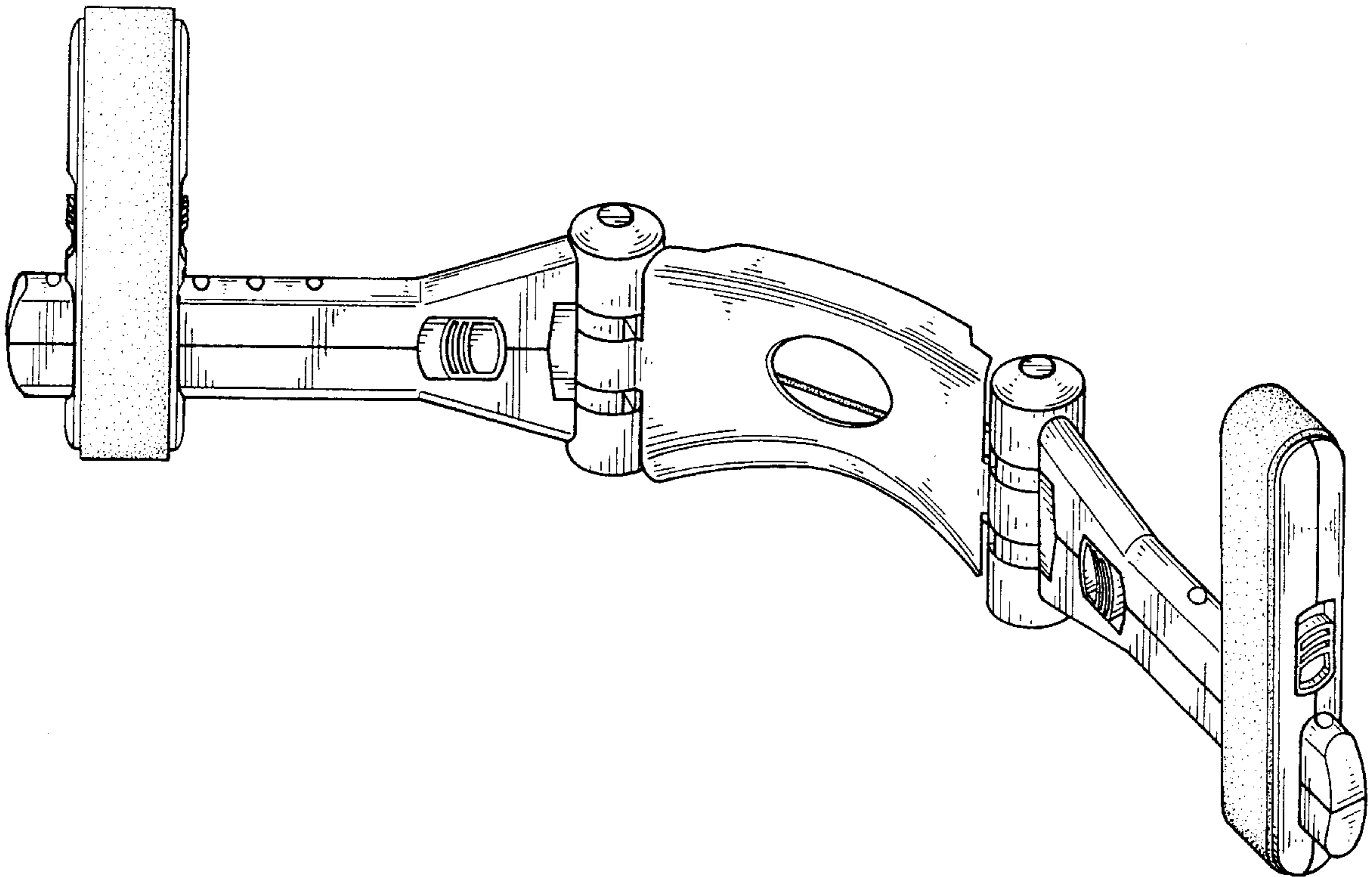
(57) **CLAIM**

The ornamental design for an exerciser, as shown and described.

DESCRIPTION

FIG. 1 is a front-right-top perspective view of an exerciser, showing my new design;
 FIG. 2 is a front elevational view thereof;
 FIG. 3 is a rear elevational view thereof;
 FIG. 4 is a left side elevational view thereof;
 FIG. 5 is a right side elevational view thereof;
 FIG. 6 is a top plan view thereof; and
 FIG. 7 is a bottom plan view thereof; and,
 FIG. 8 is a perspective view of the claimed design, wherein each extension arm is positioned at another angle relative to the curved back plate.

1 Claim, 6 Drawing Sheets



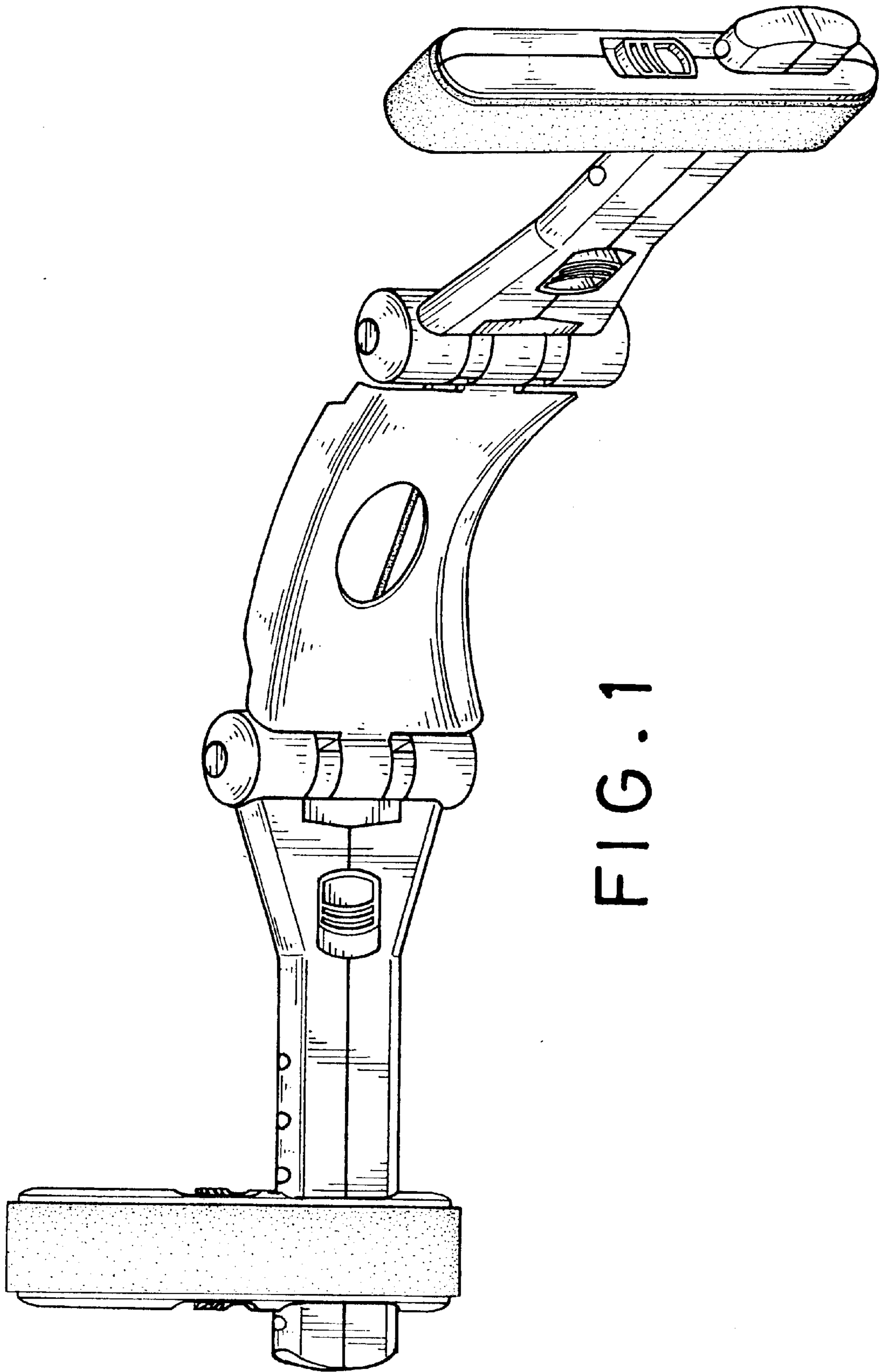


FIG. 1

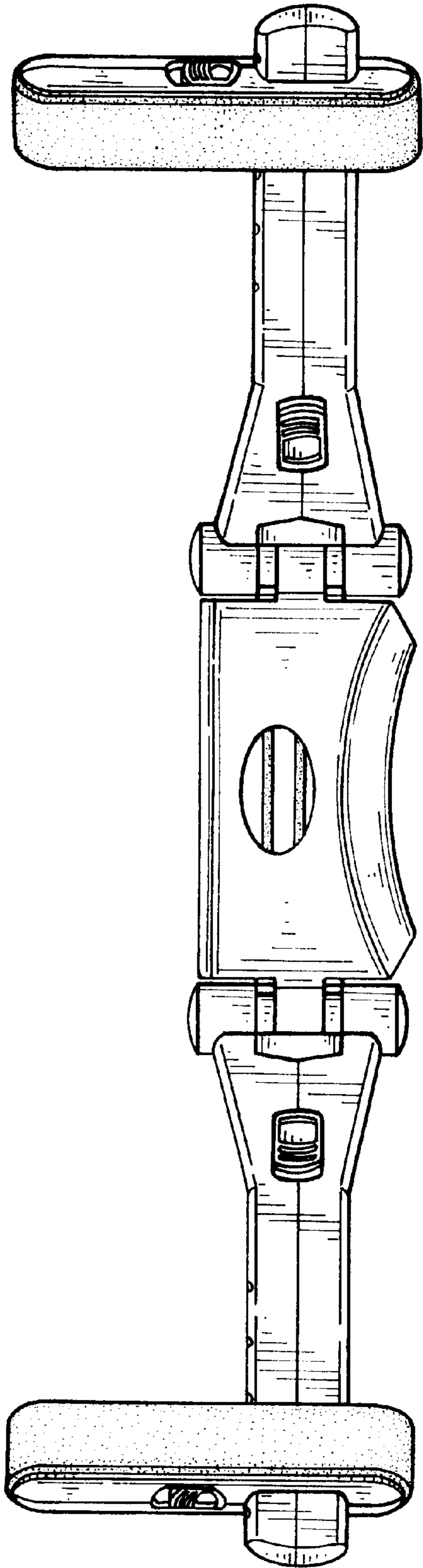


FIG. 2

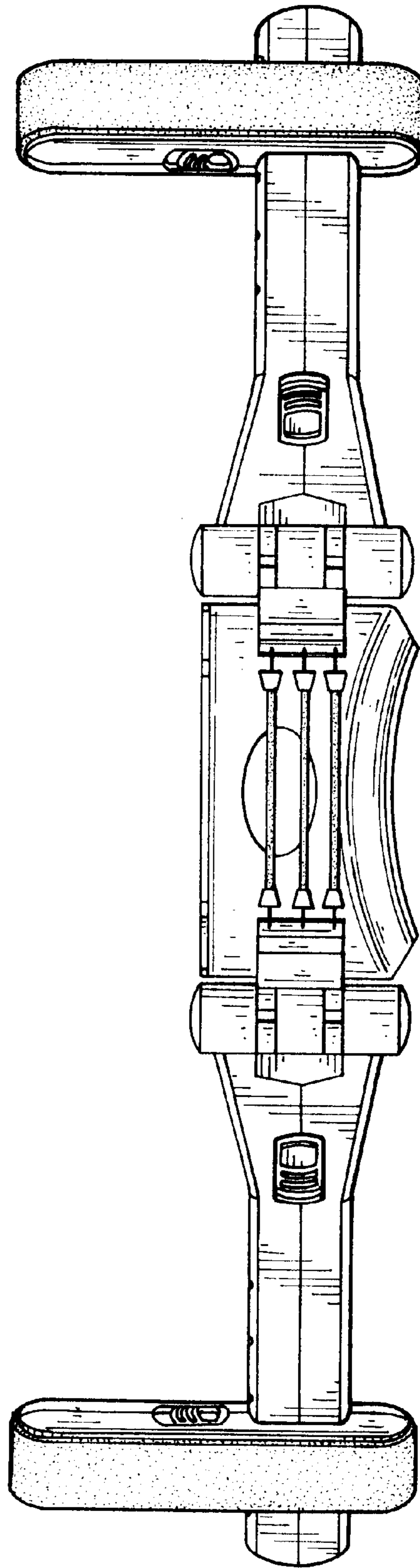


FIG. 3

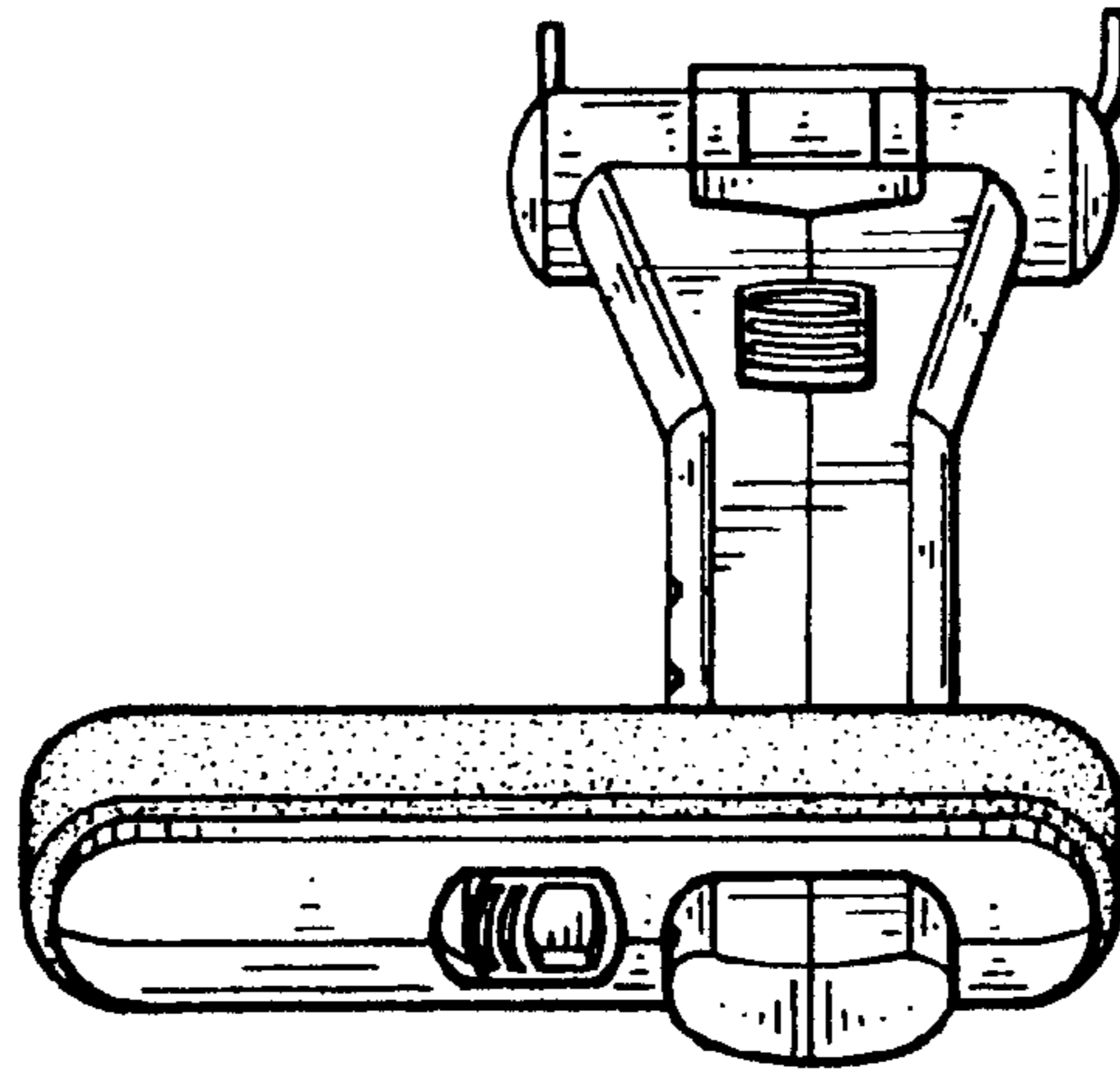


FIG. 5

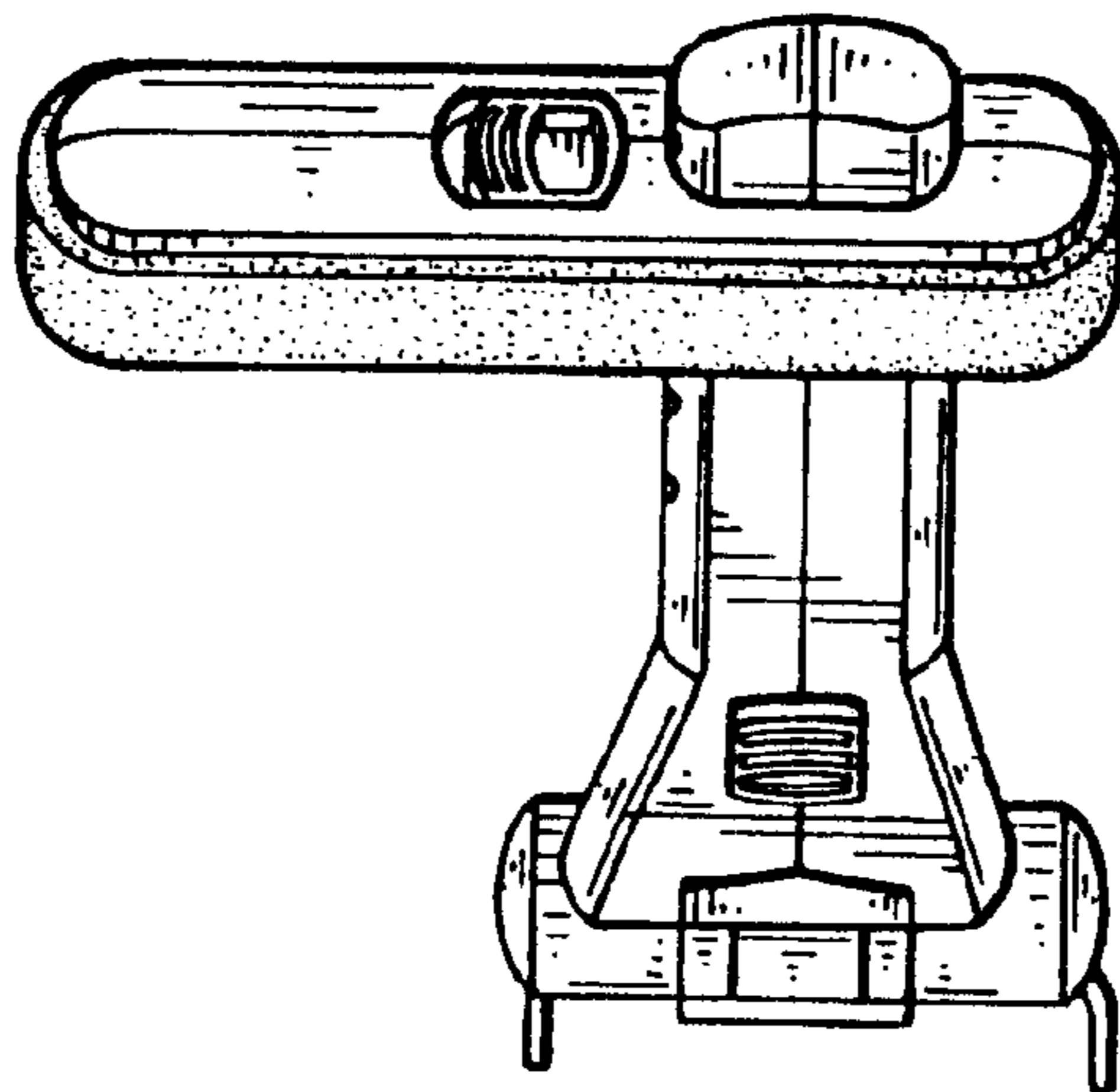


FIG. 4

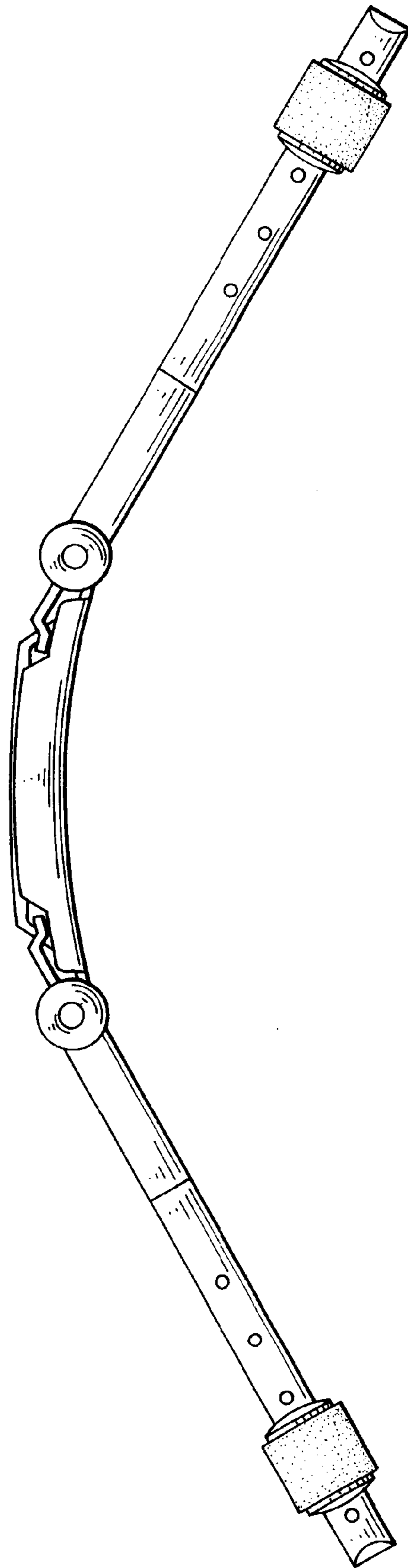


FIG. 6

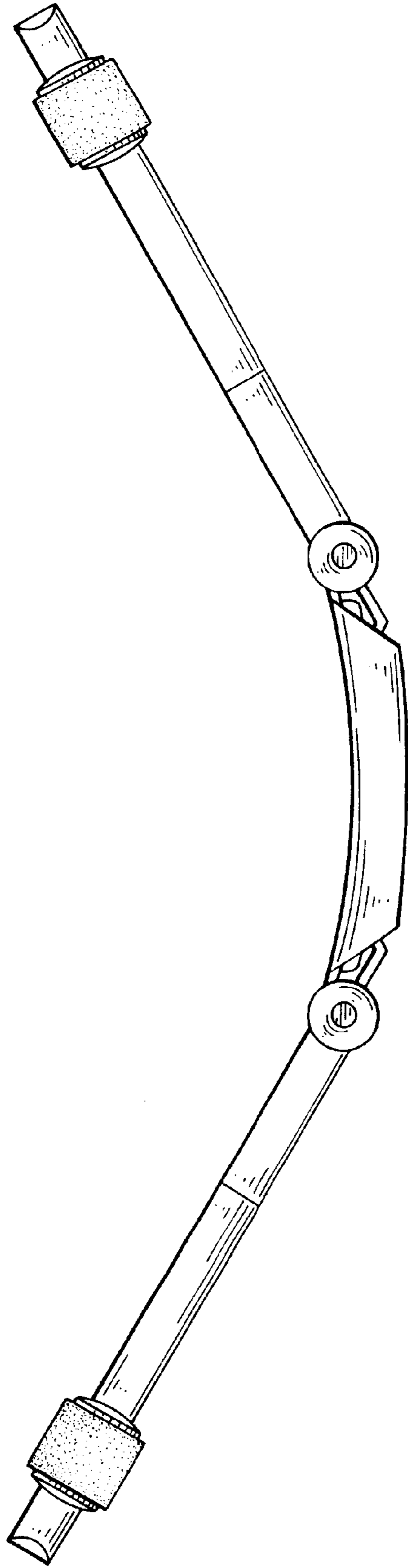


FIG. 7

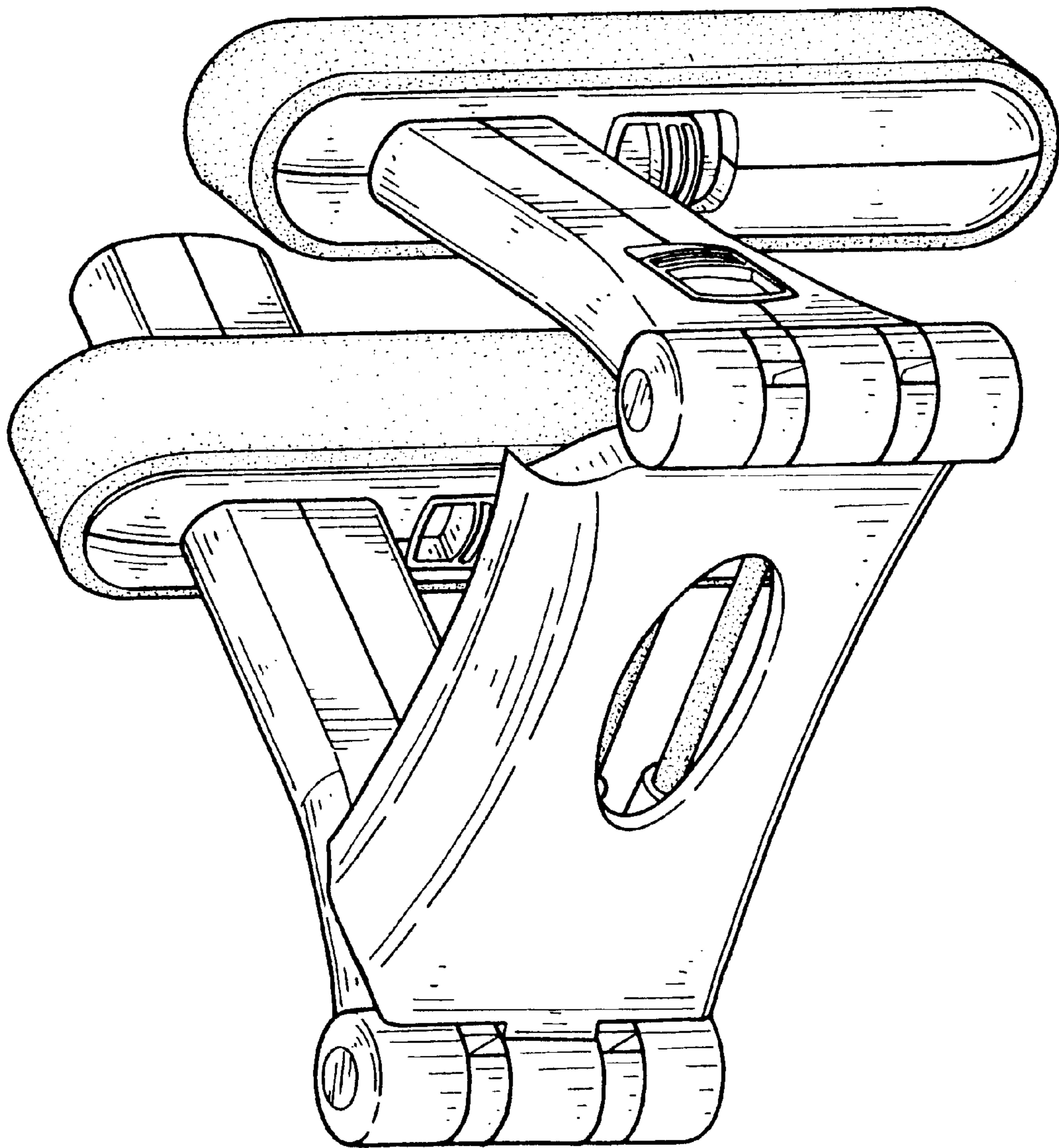


FIG. 8