



US00D446831B1

(12) **United States Design Patent**  
**Webber et al.**

(10) **Patent No.:** **US D446,831 S**

(45) **Date of Patent:** **\*\* Aug. 21, 2001**

(54) **EXERCISE MACHINE**

(75) Inventors: **Randall T. Webber**, San Diego;  
**George M. Zink**, Escondido, both of  
CA (US)

(73) Assignee: **Hoist Fitness Systems**, San Diego, CA  
(US)

(\*\*) Term: **14 Years**

(21) Appl. No.: **29/130,179**

(22) Filed: **Sep. 28, 2000**

(51) **LOC (7) Cl.** ..... **21-02**

(52) **U.S. Cl.** ..... **D21/662; D21/676; D21/673**

(58) **Field of Search** ..... D21/662, 675,  
D21/676, 673; 482/93, 94, 95, 96, 97, 138,  
133, 134, 135

(56) **References Cited**

**U.S. PATENT DOCUMENTS**

D. 321,390	*	11/1991	Jones	.....	D21/676
D. 357,288	*	4/1995	Yang	.....	D21/676
D. 431,615	*	10/2000	Webber et al.	.....	D21/675
D. 438,918	*	3/2001	Batca et al.	.....	D21/675
3,820,782	*	6/1974	Salkeld	.....	482/138
4,511,137	*	4/1985	Jones	.....	482/97
5,354,248	*	10/1994	Rawls et al.	.....	482/52
5,409,440	*	4/1995	Yang	.....	482/138
5,616,107	*	4/1997	Simonson	.....	482/97
5,941,804	*	8/1999	Johnston et al.	.....	482/97

**OTHER PUBLICATIONS**

- Total Glute Product, Stairmaster brochure, 1999.
- Power Strength brochure, 1999.
- Glute Isolator, Icarian brochure, date unknown.
- F-021 Special Hip Conditioner, Gerva Sport brochure, date unknown.
- Fitness Sport brochure, date unknown.
- Body Masters brochure, date unknown.
- Glute Flexor, Flex Fitness brochure, 1999.
- Paramount Fitness brochure, 1995.
- S-412 Glute Master, Hoist Fitness brochure, 1992.
- Glute Iso Machine, Life Fitness brochure, 1995.
- Techno Gym brochure, 1999.

\* cited by examiner

*Primary Examiner*—Philip S. Hyder

(74) *Attorney, Agent, or Firm*—Brown, Martin, Haller & McClain, LLP

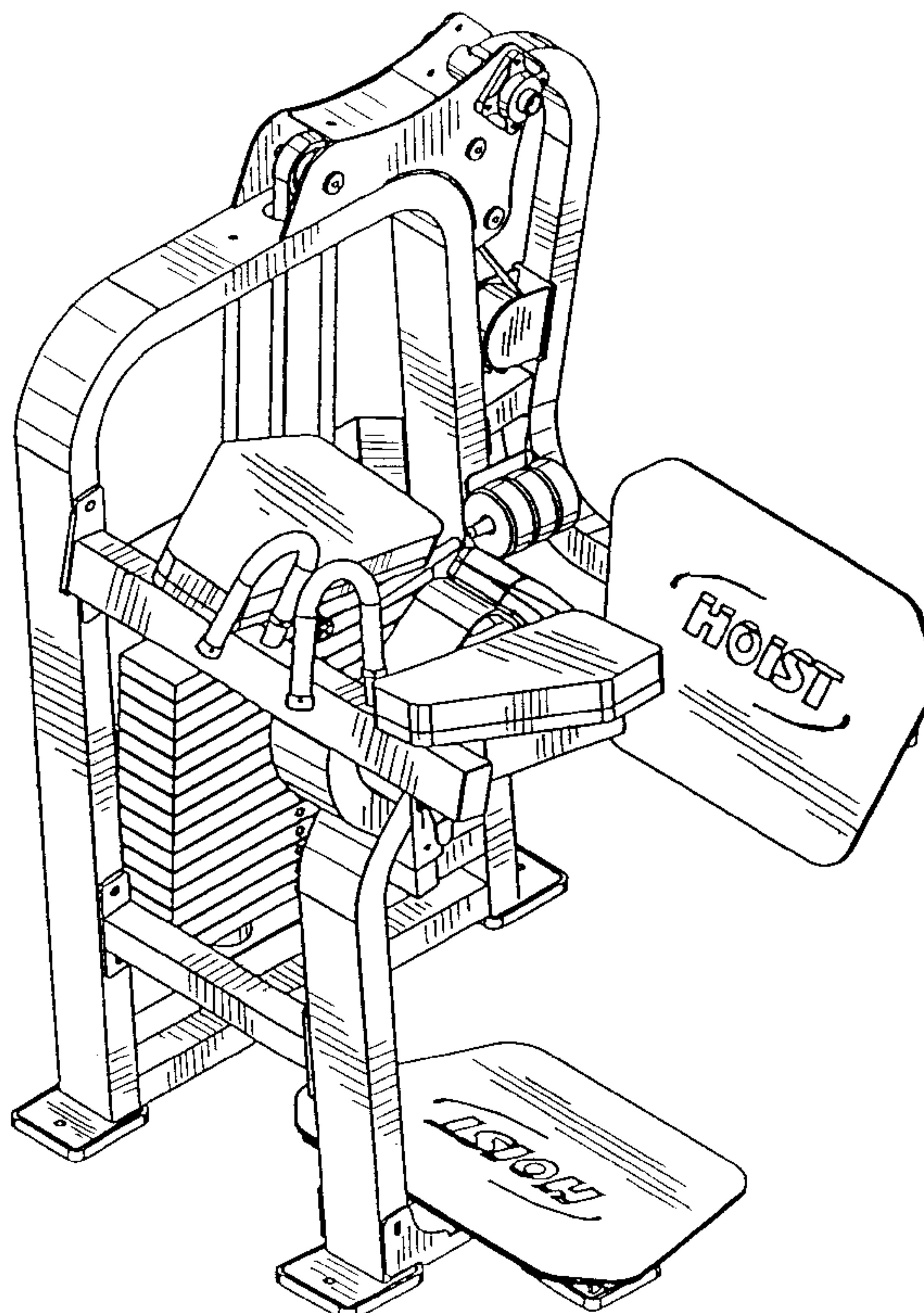
(57) **CLAIM**

The ornamental design for an exercise machine, as shown.

**DESCRIPTION**

FIG. 1 is a left front perspective view of an exercise machine showing our new design;  
 FIG. 2 is a right front perspective view thereof;  
 FIG. 3 is a left side elevational view thereof;  
 FIG. 4 is a right side elevational view thereof;  
 FIG. 5 is a front view thereof; and,  
 FIG. 6 is a rear view thereof.

**1 Claim, 3 Drawing Sheets**



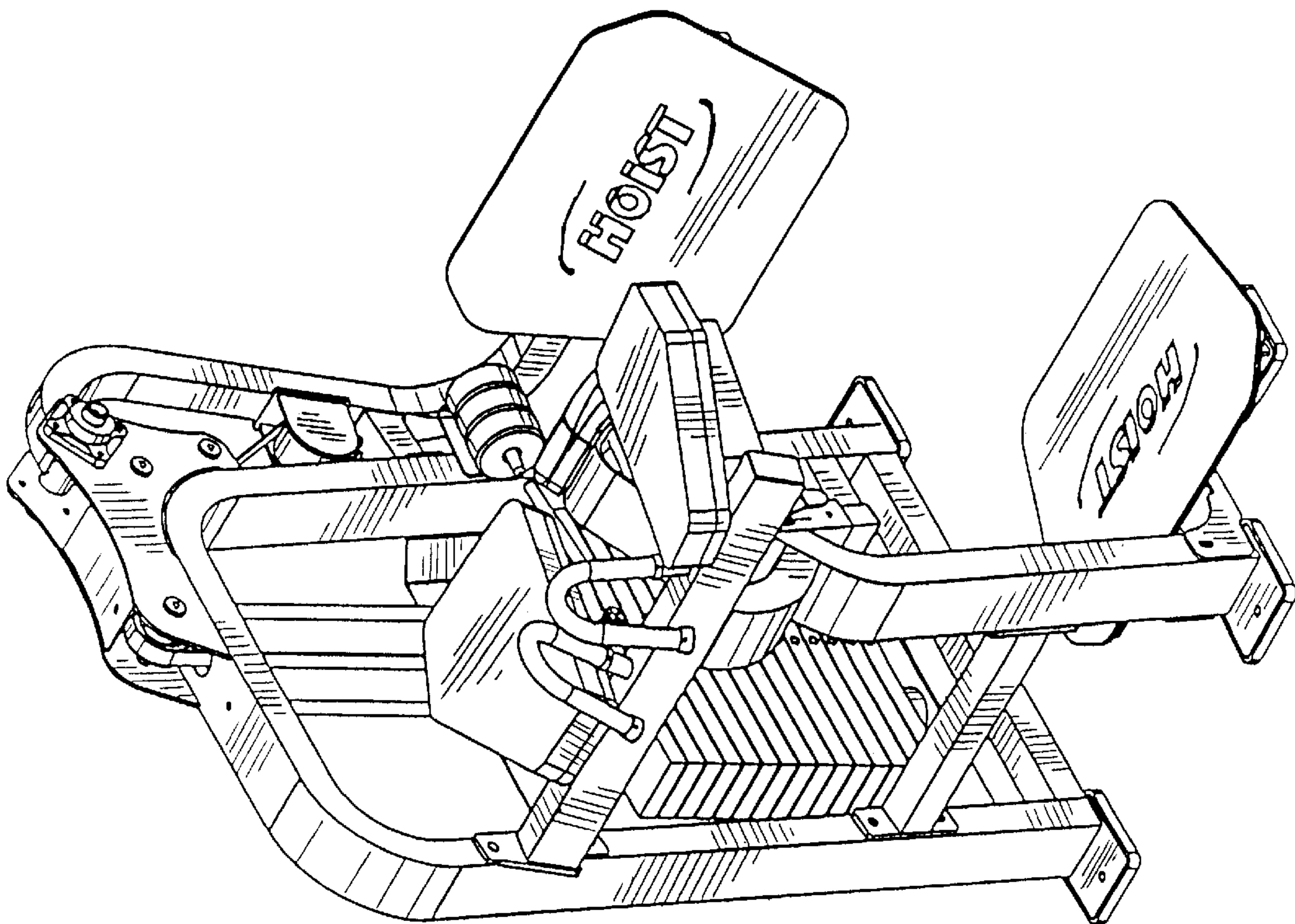


FIG. 1

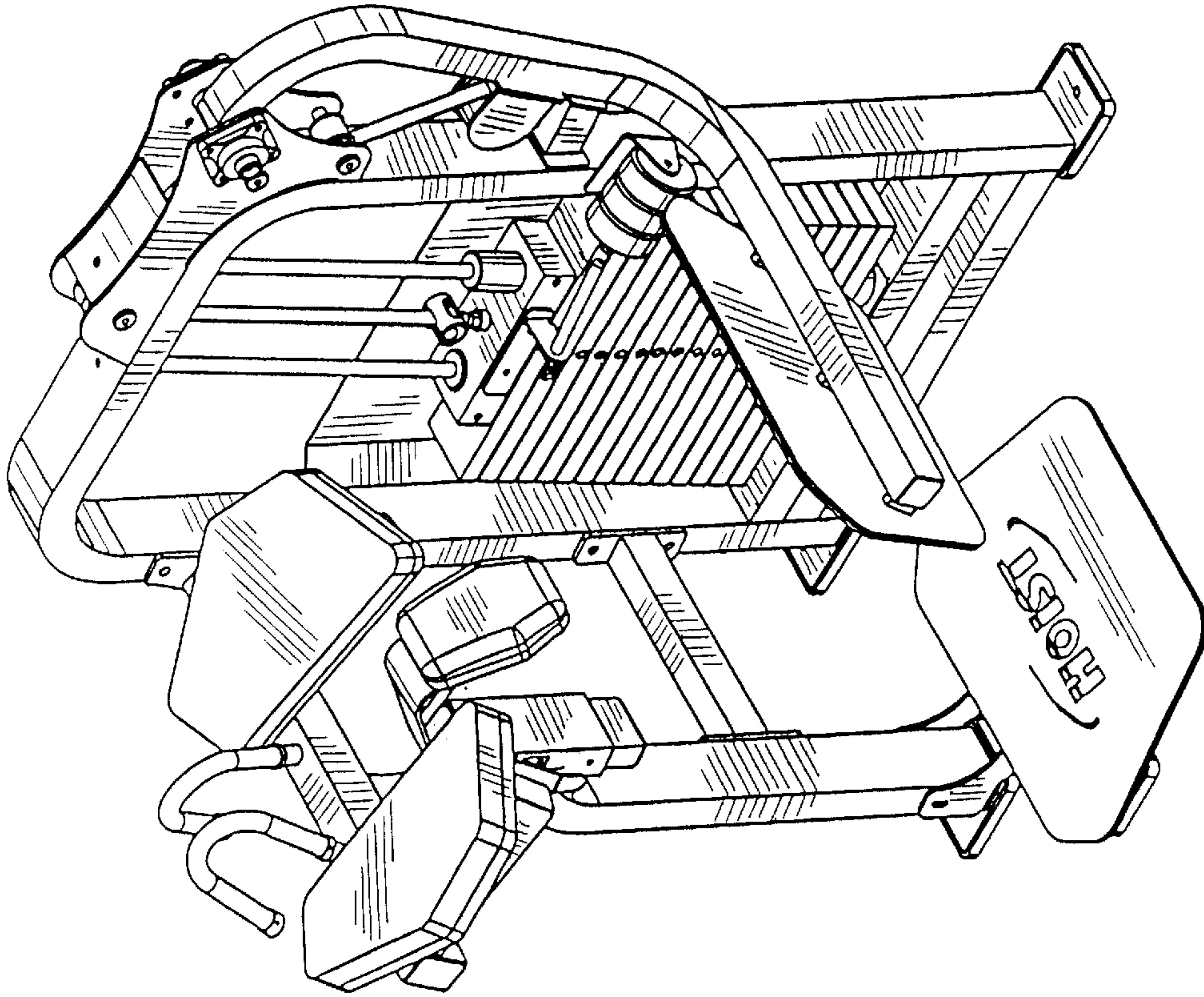


FIG. 2



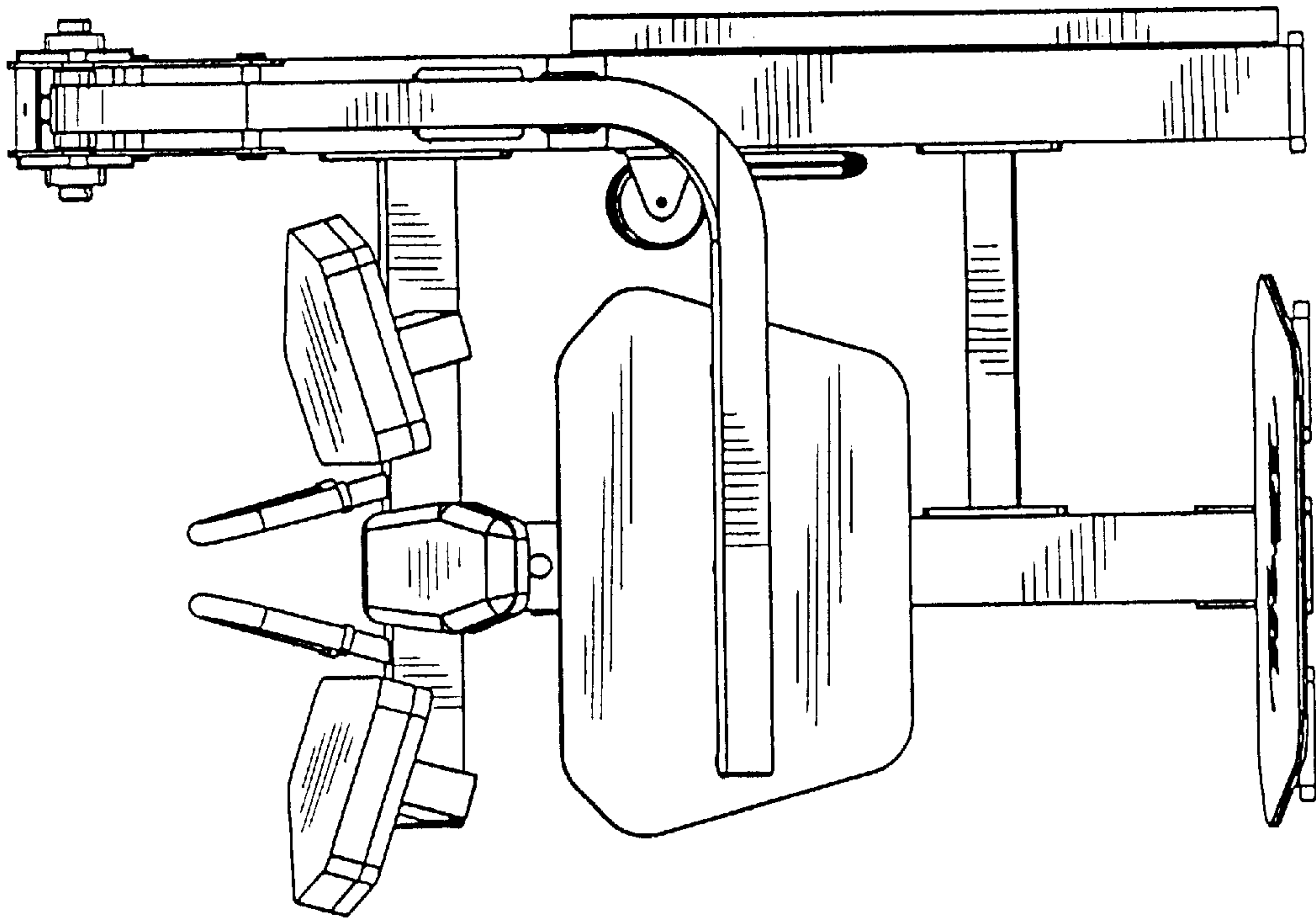


FIG. 4

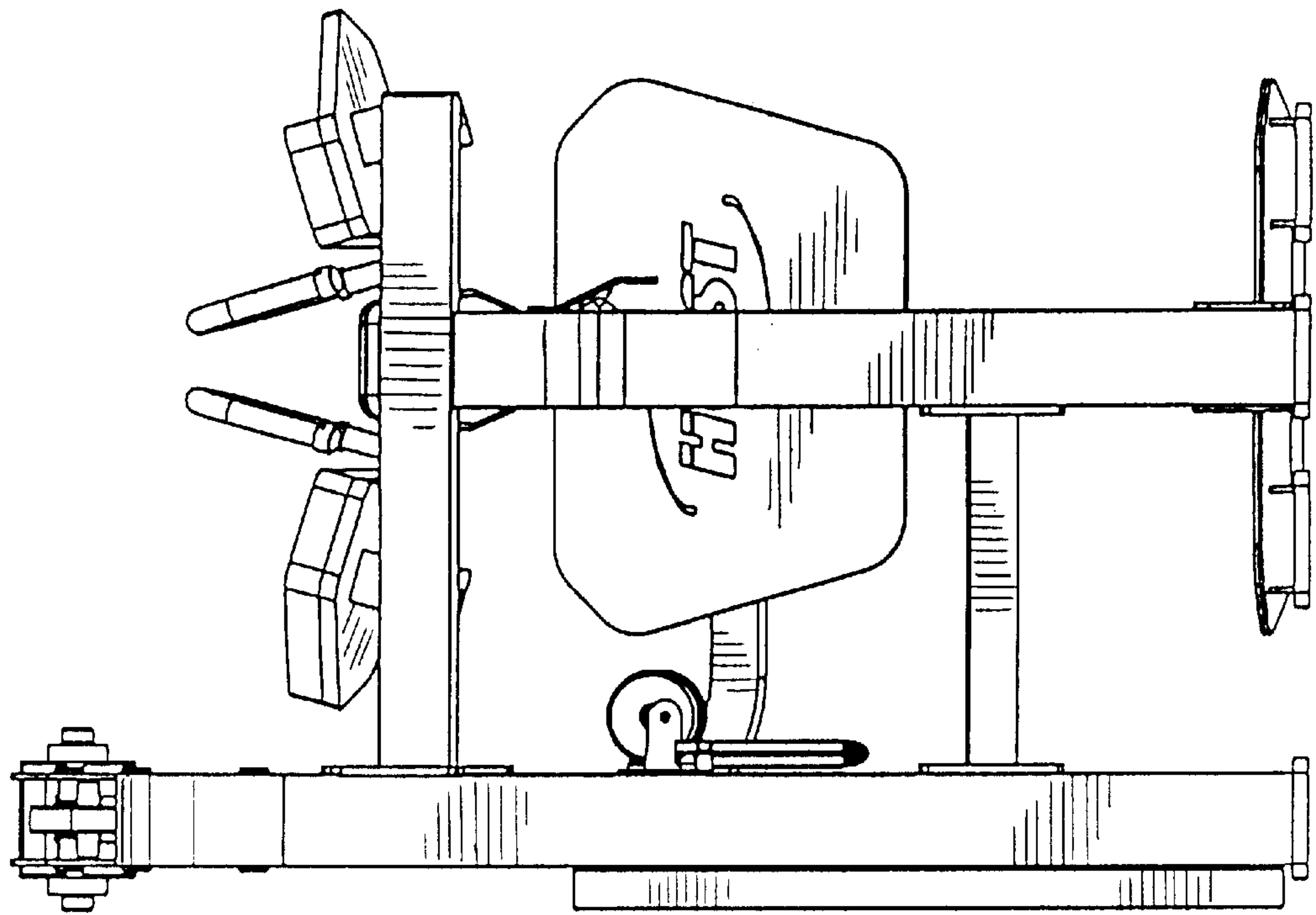


FIG. 3

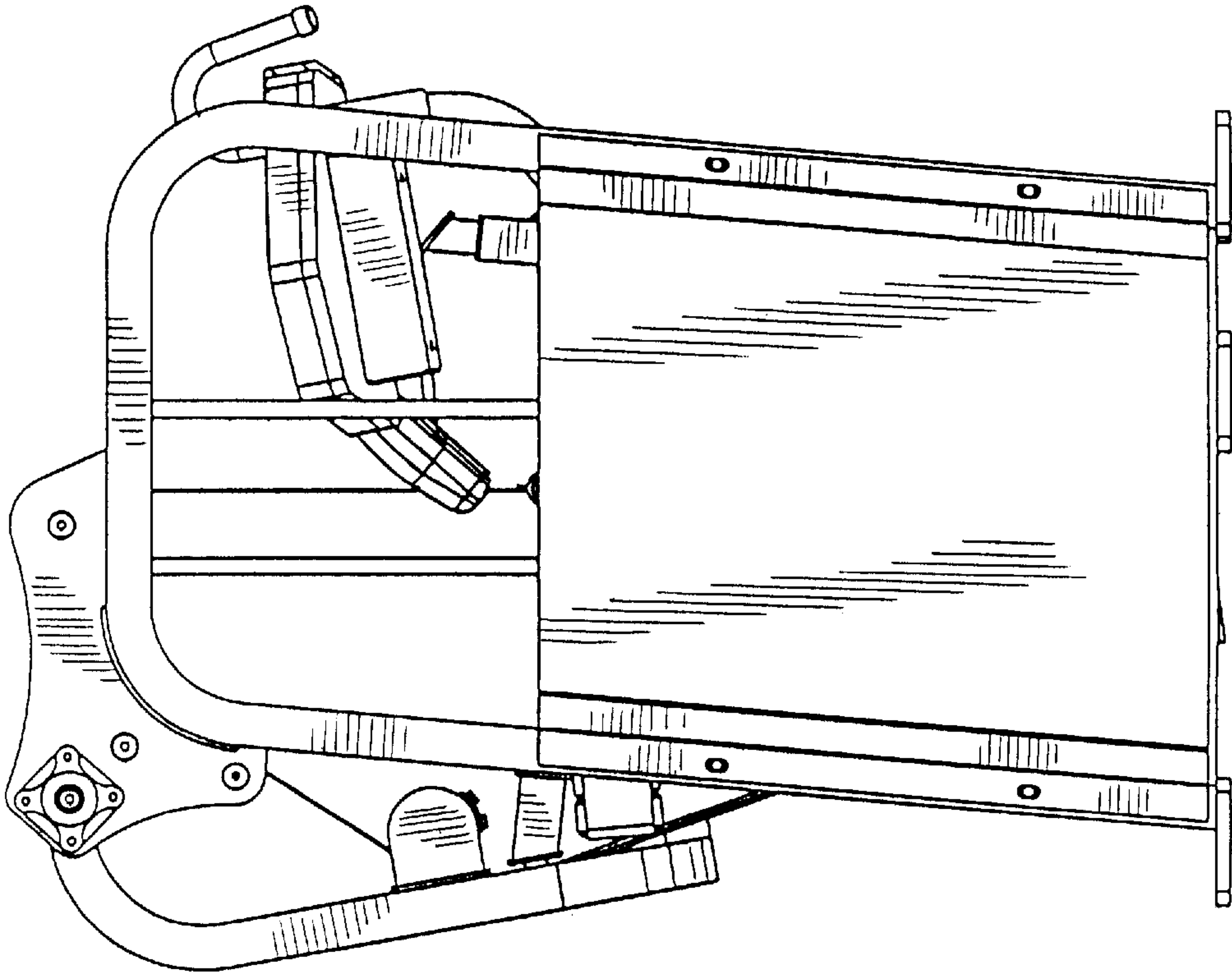


FIG. 6

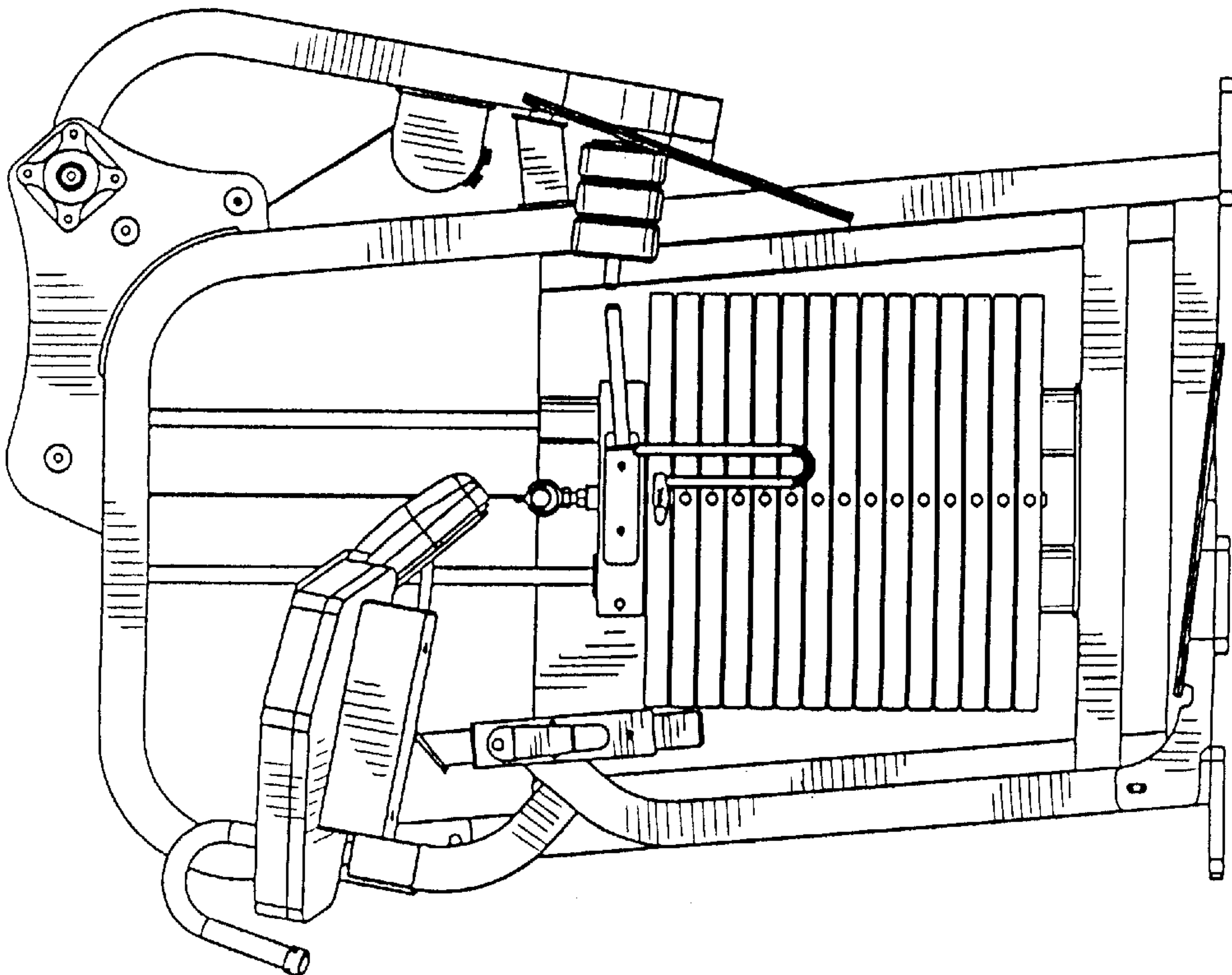


FIG. 5