



US00D446827B1

(12) **United States Design Patent**  
**You et al.**

(10) **Patent No.:** **US D446,827 S**

(45) **Date of Patent:** **\*\* Aug. 21, 2001**

(54) **SMART CHILDREN'S RIDE-ON VEHICLE**

(75) **Inventors:** **Youn-Fu You, Chang-Hua; Lung-Yin Lin, Nantou, both of (TW)**

(73) **Assignee:** **Link Treasure Limited, Tortola (VG)**

(\*\*) **Term:** **14 Years**

(21) **Appl. No.:** **29/136,299**

(22) **Filed:** **Jan. 30, 2001**

(51) **LOC (7) Cl.** ..... **21-01**

(52) **U.S. Cl.** ..... **D21/424**

(58) **Field of Search** ..... **D21/419-435, D21/533-536, 548-551, 561-563; D12/1, 85, 108; 446/465, 468, 470, 456; 280/828, 87.01, 87.021, 87.051, 113**

(56) **References Cited**

**U.S. PATENT DOCUMENTS**

D. 227,494	*	6/1973	Campbell	.....	D21/424
D. 282,187	*	1/1986	Cunard et al.	.....	D21/424
D. 303,776	*	10/1989	Aker	.....	D12/108

D. 414,221	*	9/1999	Jones, Jr. et al.	.....	D21/424
1,432,612	*	10/1922	O'Conner	.....	280/87.051
3,078,619	*	2/1963	Brown	.....	446/465
3,870,334	*	3/1975	Cole	.....	280/87.01

\* cited by examiner

*Primary Examiner*—Raphael Barkai

(74) *Attorney, Agent, or Firm*—Birch, Stewart, Kolasch & Birch, LLP

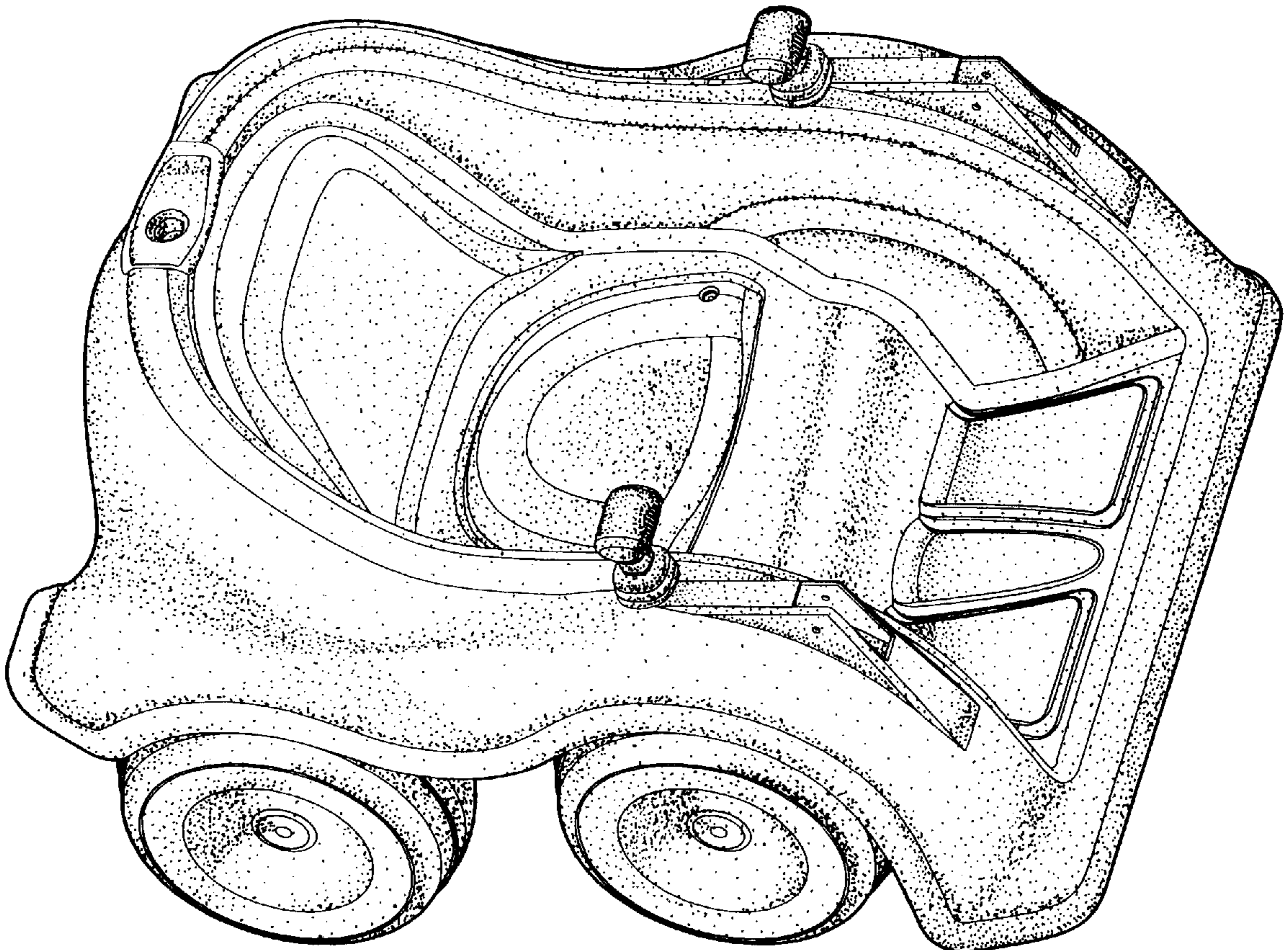
(57) **CLAIM**

The ornamental design for a smart children's ride-on vehicle, as shown and described.

**DESCRIPTION**

FIG. 1 is a perspective view of a smart children's ride-on vehicle showing our new design;  
 FIG. 2 is right side elevational view thereof;  
 FIG. 3 is right side elevational view thereof;  
 FIG. 4 is front view thereof;  
 FIG. 5 is a bottom view thereof;  
 FIG. 6 is a left side elevational view thereof; and,  
 FIG. 7 is a rear view thereof.

**1 Claim, 7 Drawing Sheets**





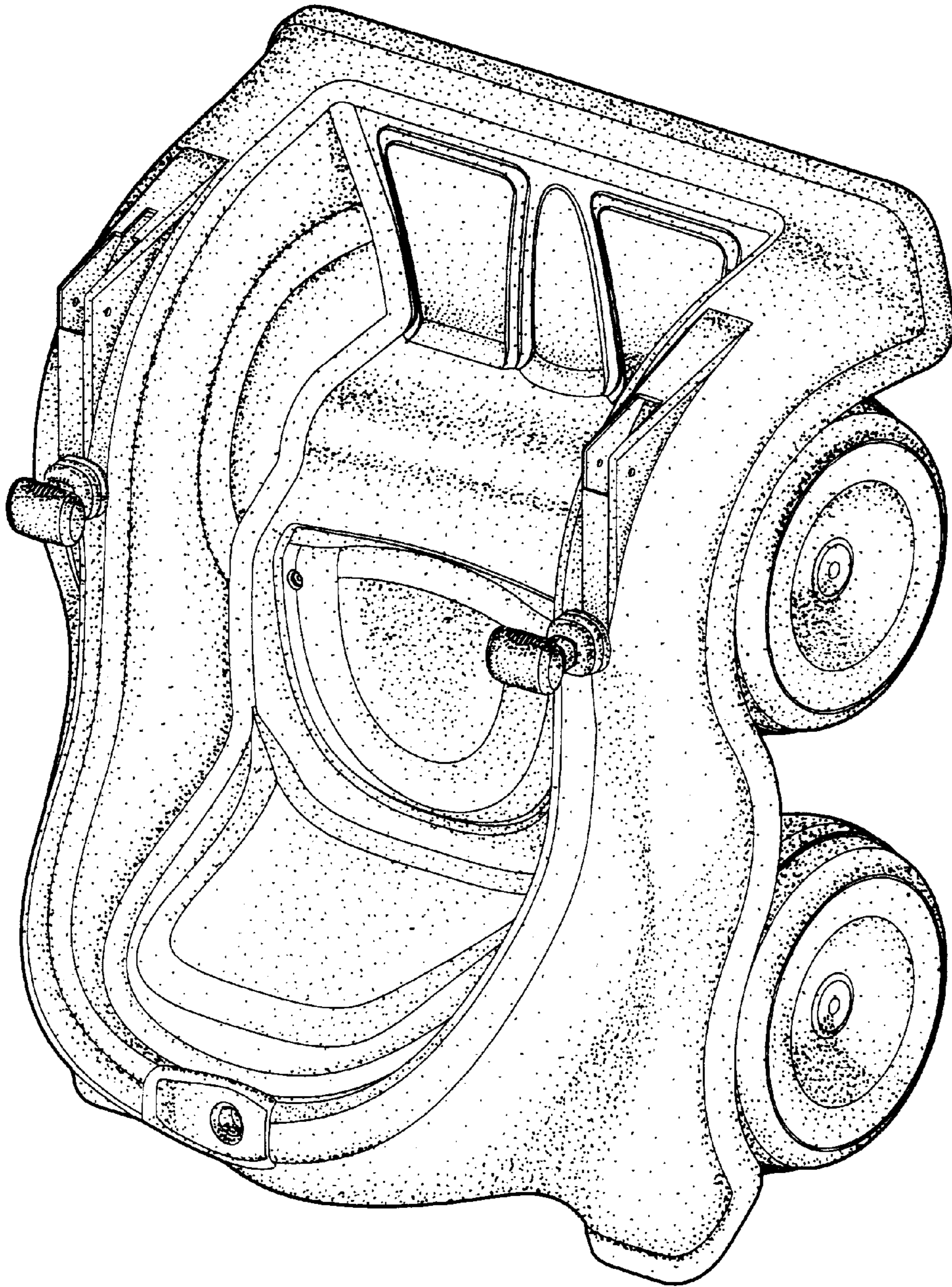


FIG. 1

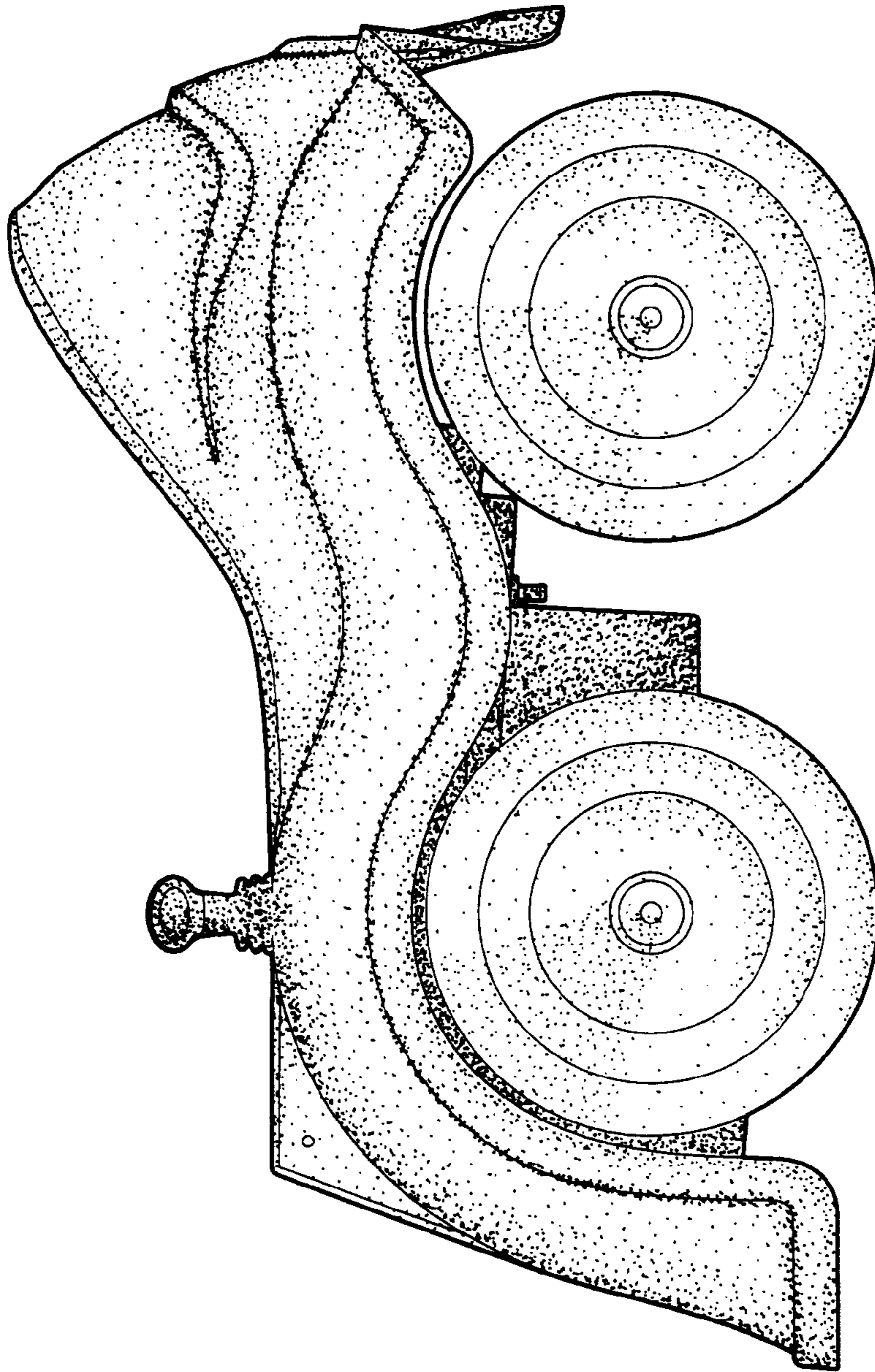


FIG. 2



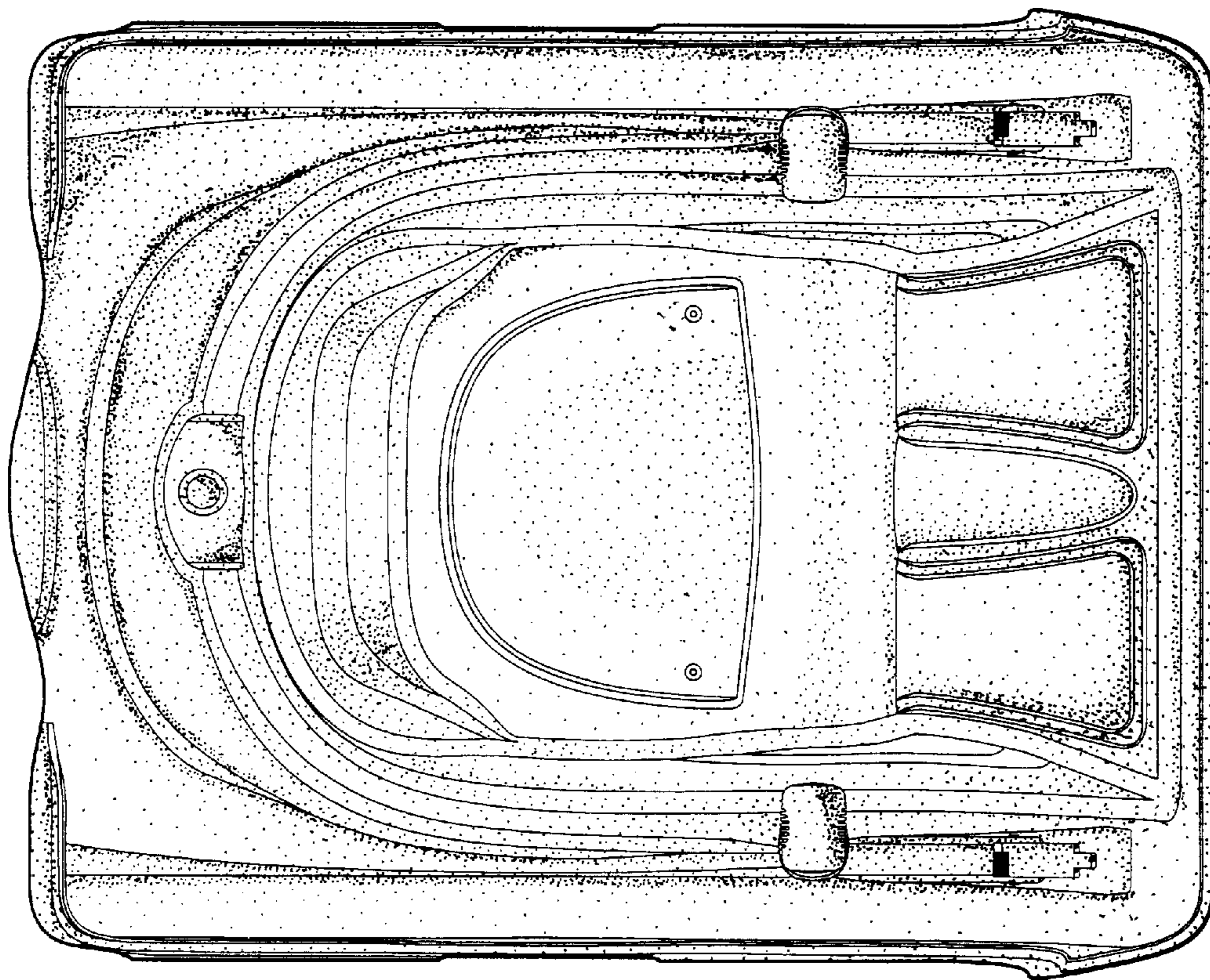


FIG. 3

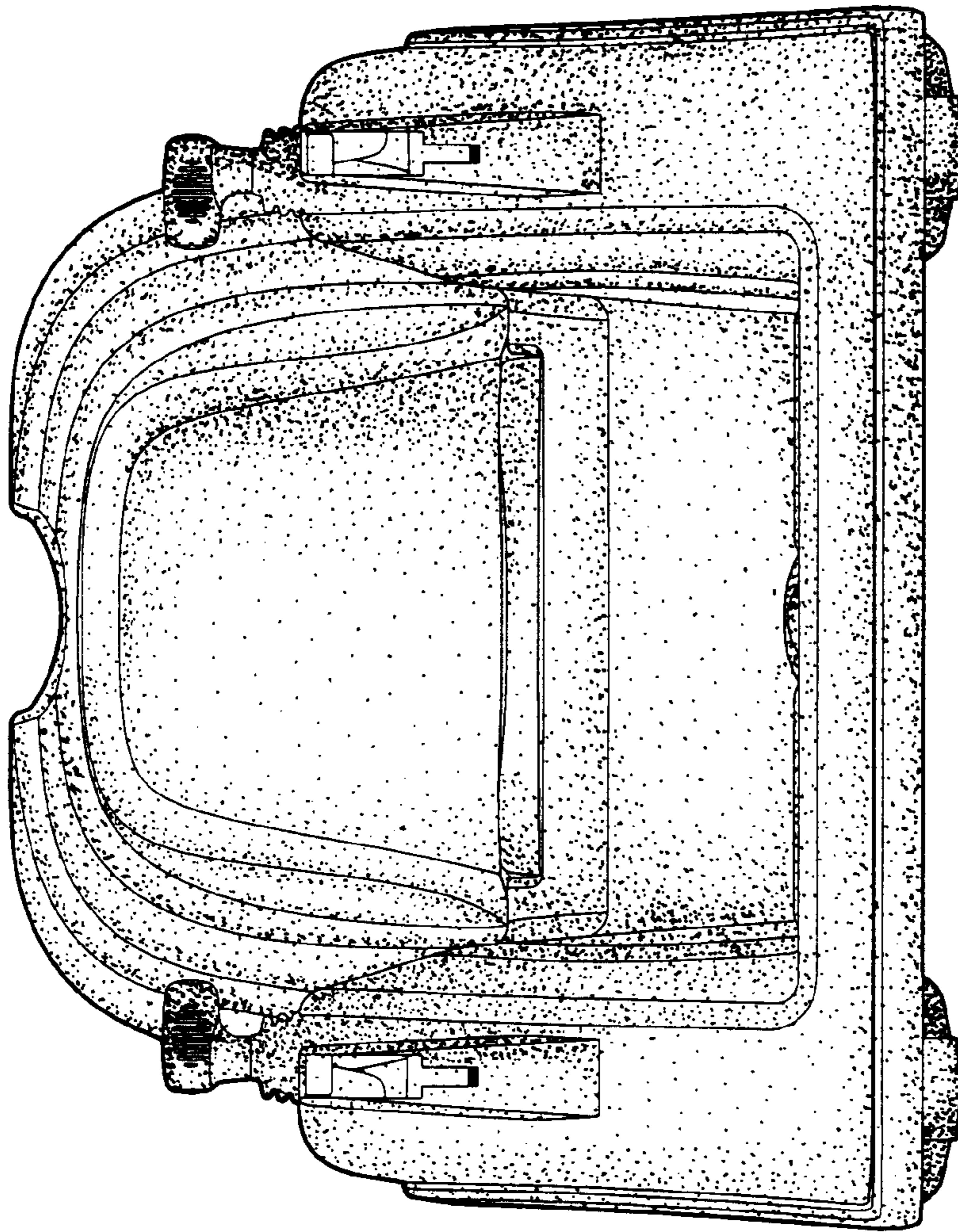


FIG. 4



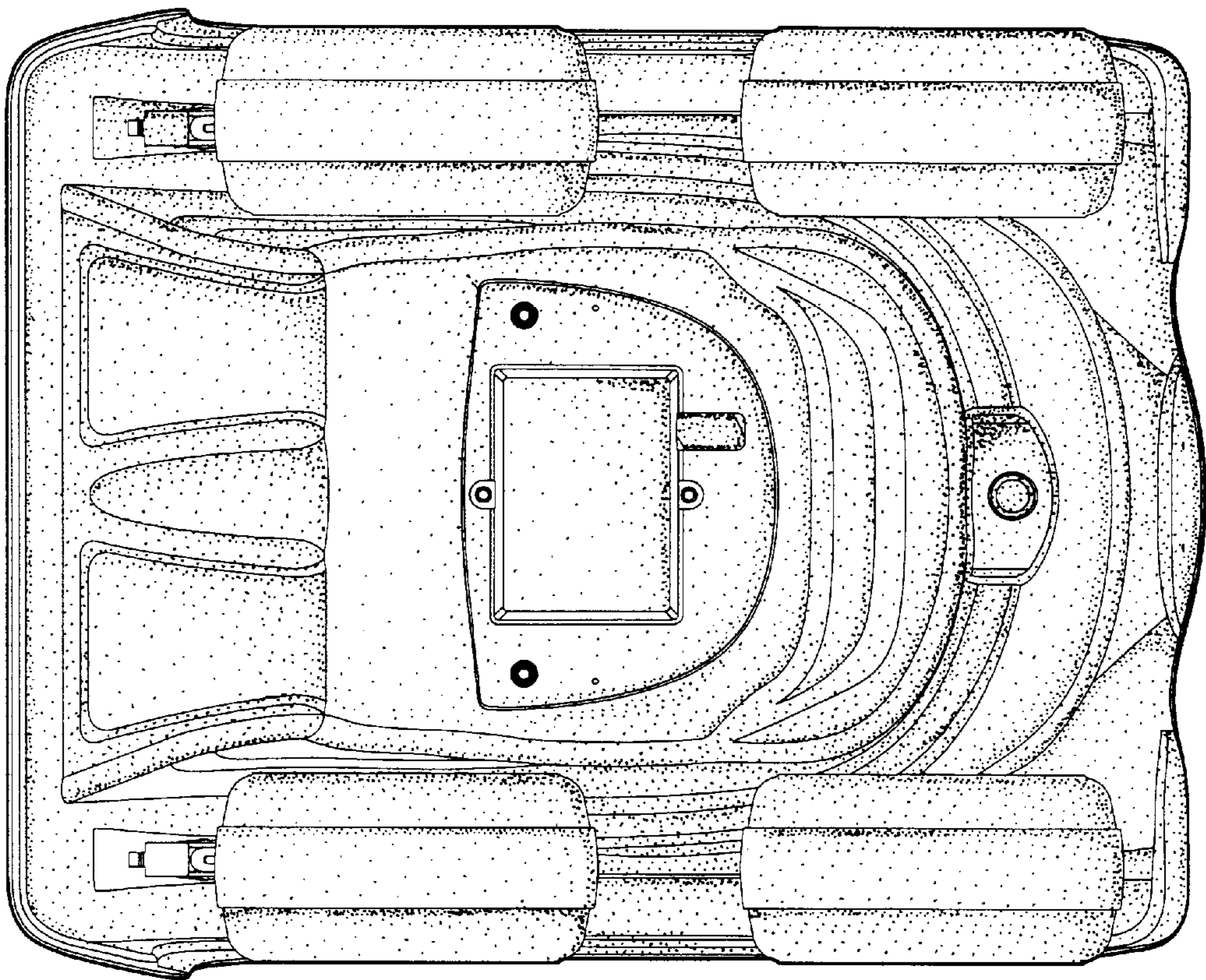


FIG. 5

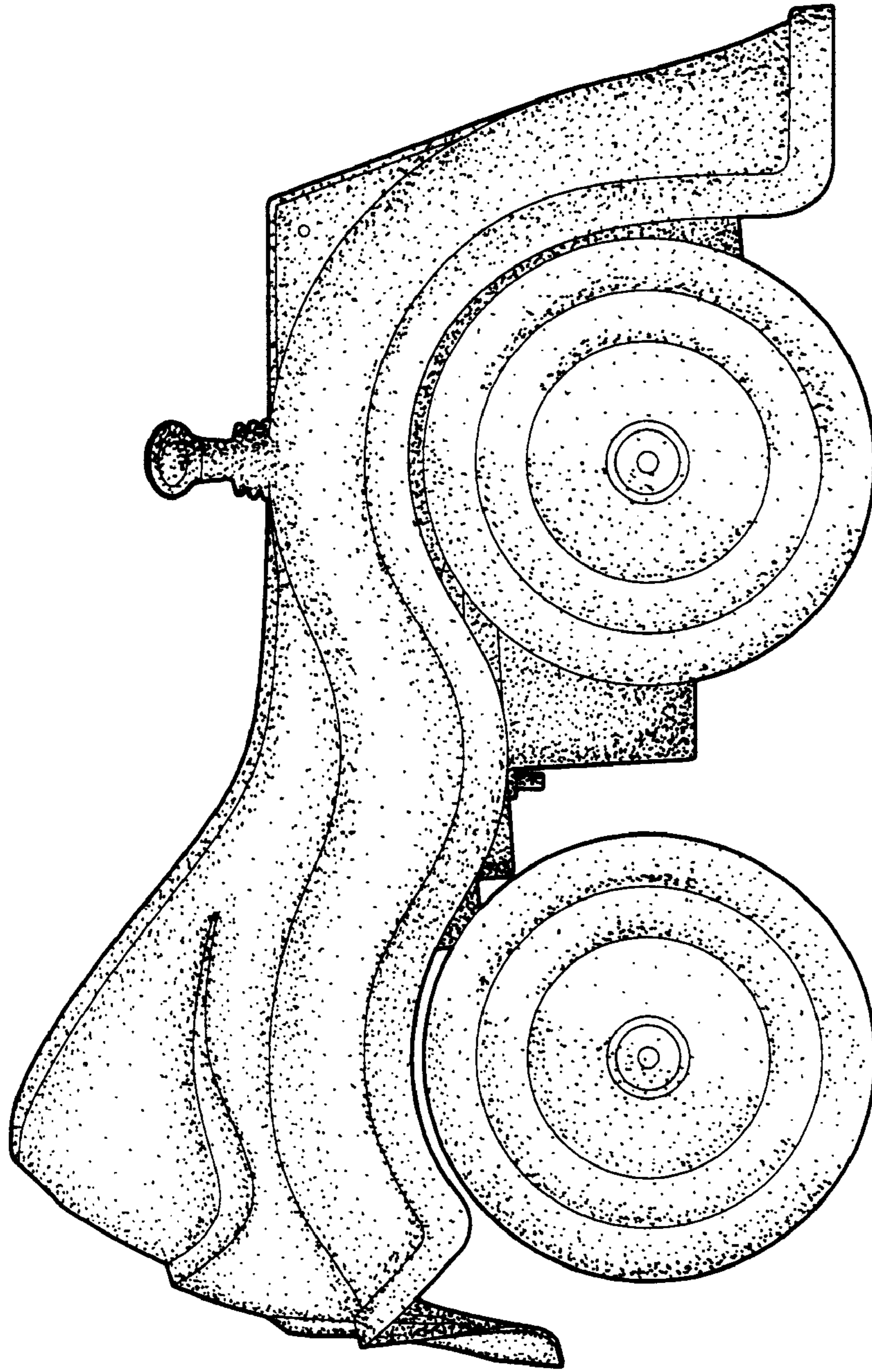


FIG. 6

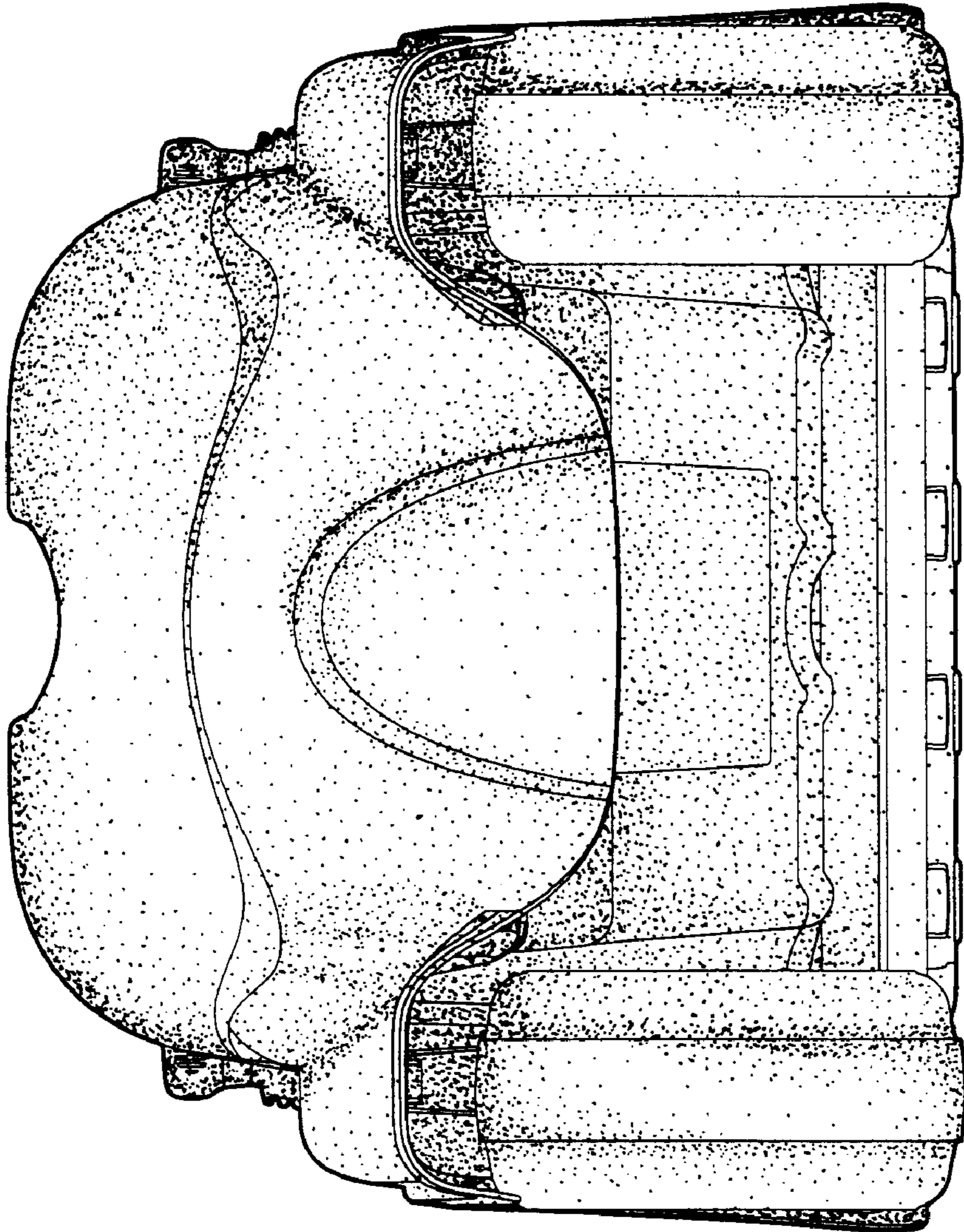


FIG. 7