



US00D446826B1

(12) **United States Design Patent**
Dunn et al.

(10) **Patent No.:** **US D446,826 S**

(45) **Date of Patent:** **** Aug. 21, 2001**

(54) **EDUCATIONAL TOY**
(75) Inventors: **Steven Bryan Dunn**, Beverly Hills;
Tor H. Petterson, Rancho Palos
Verdes; **Charles P. Davis**, Torrance, all
of CA (US)

(73) Assignee: **Munchkin, Inc.**, Van Nuys, CA (US)

(**) Term: **14 Years**

(21) Appl. No.: **29/112,308**

(22) Filed: **Oct. 13, 1999**

(51) **LOC (7) Cl.** **21-02**

(52) **U.S. Cl.** **D21/398**

(58) **Field of Search** D21/398, 478,
D21/484, 489, 491; D19/59; 434/156, 159,
211, 81, 208

(56) **References Cited**

U.S. PATENT DOCUMENTS

D. 259,049	4/1981	Vogel	D19/59
D. 294,714	3/1988	Johnson	D19/59
D. 302,709	* 8/1989	Thompson	D21/478
D. 309,914	8/1990	Kagelmann-Holtz et al.	D19/59
D. 408,061	* 4/1999	Borg	D21/478
431,102	7/1890	Anderson	.	

2,756,515	7/1956	Hoffman	35/35
4,003,144	1/1977	Maddestra et al.	35/70
4,698,023	10/1987	Marino	434/259
4,846,687	7/1989	White et al.	434/112
4,968,255	11/1990	Lee et al.	434/159
5,066,234	11/1991	LeDesma	434/205
5,219,289	6/1993	Derr	434/211
5,571,019	11/1996	Wilson	434/207

* cited by examiner

Primary Examiner—Dominic Simone

(74) *Attorney, Agent, or Firm*—Knoble & Yoshida, LLC

(57) **CLAIM**

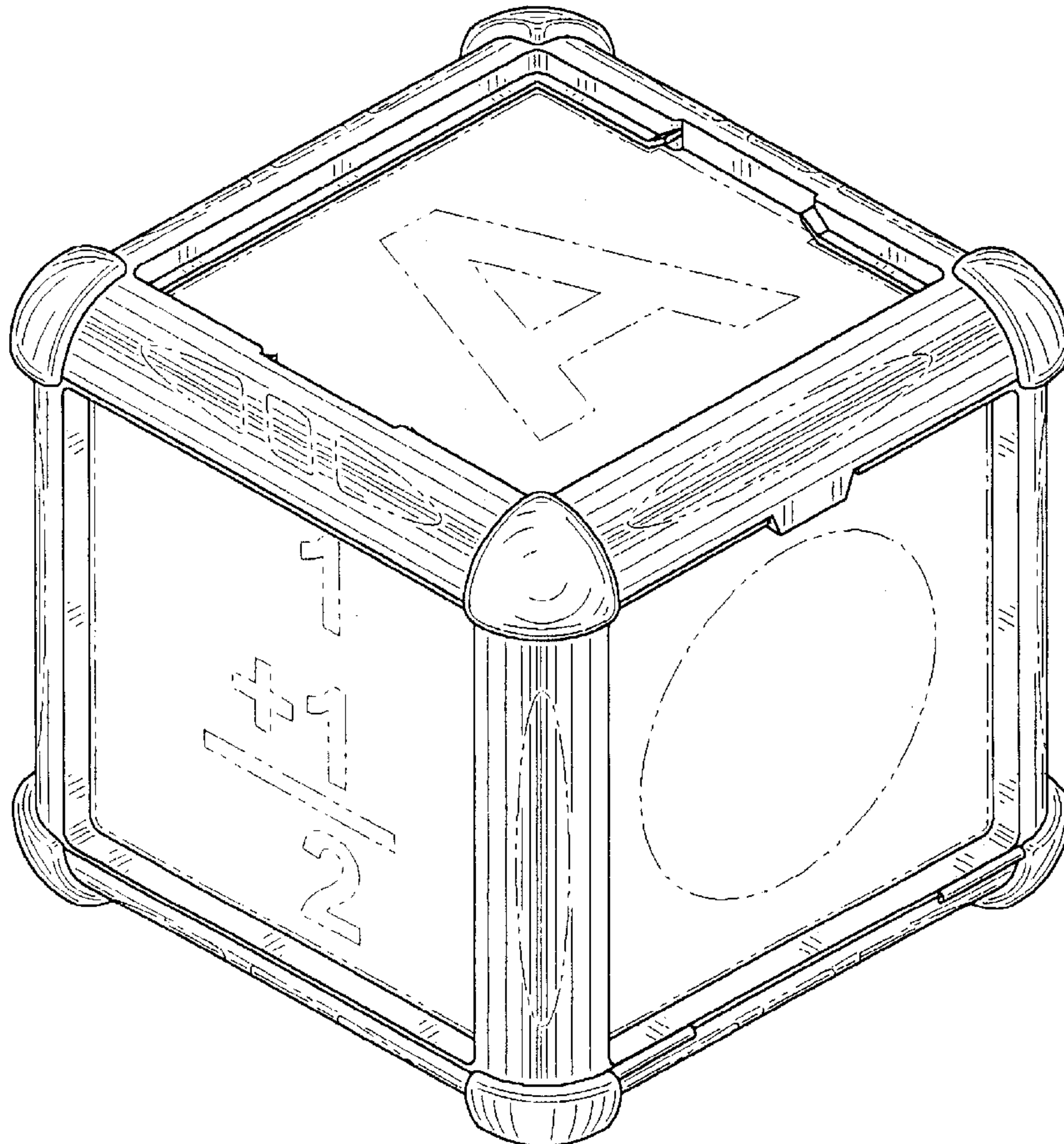
An ornamental design for an educational toy, as shown and described.

DESCRIPTION

FIG. 1 is a perspective view showing our new design;
FIG. 2 is a front elevational view;
FIG. 3 is a top plan view;
FIG. 4 is a first side elevational view;
FIG. 5 is a second side elevational view;
FIG. 6 is a bottom plan view; and,
FIG. 7 is a rear elevational view.

Any broken lines denote probable environmental structure and are not part of the claimed design.

1 Claim, 7 Drawing Sheets



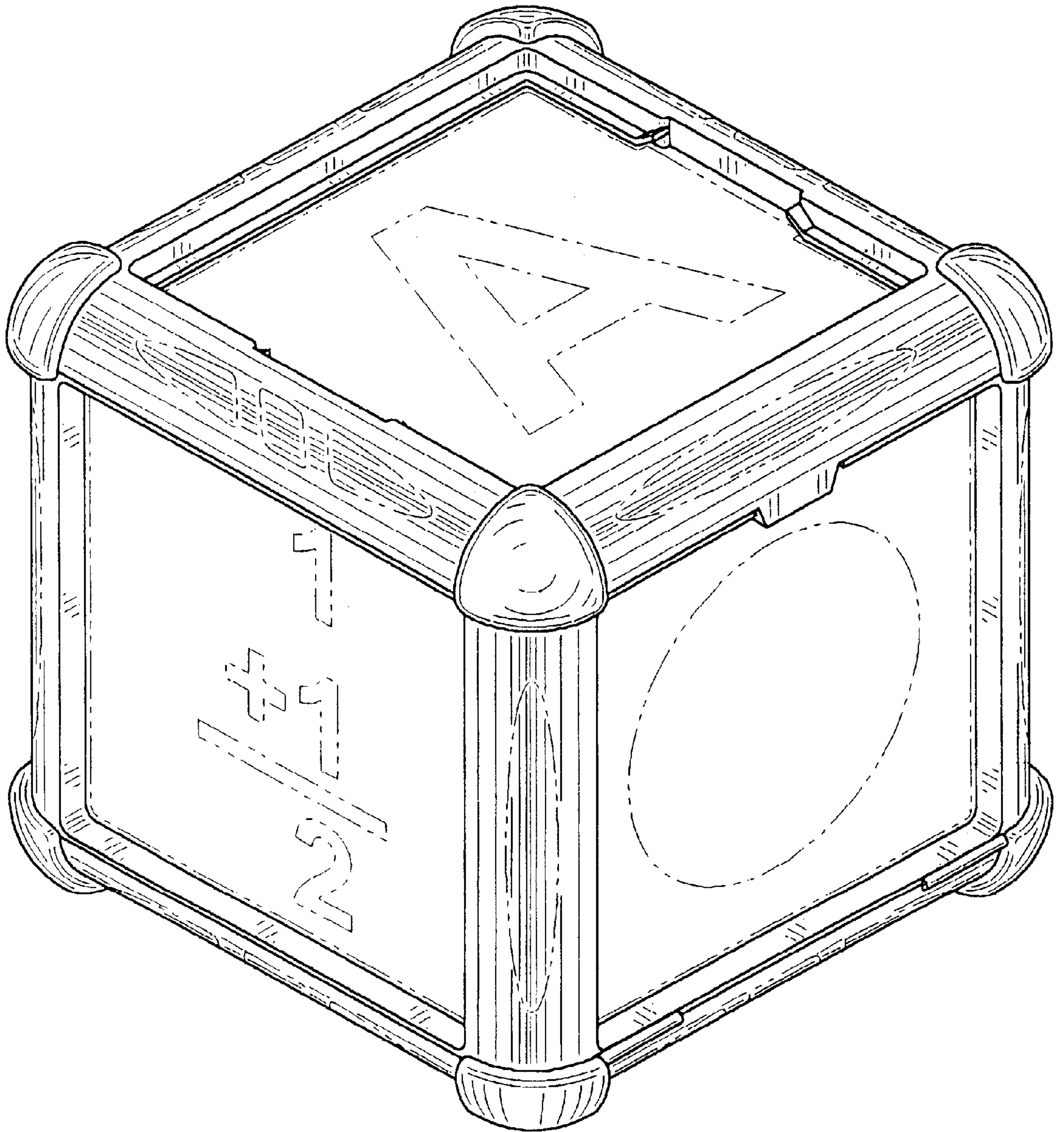


FIG. 1

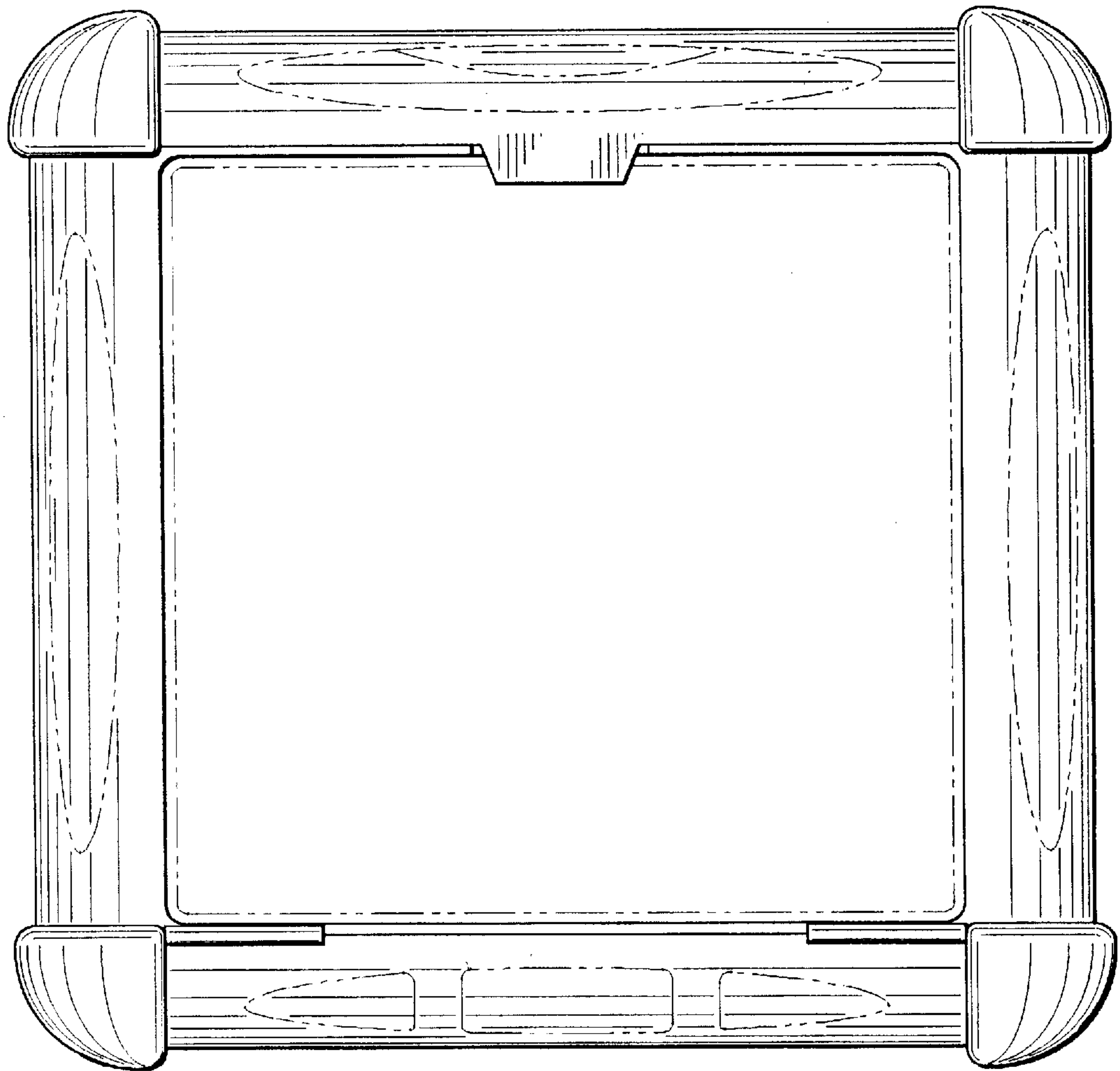


FIG. 2

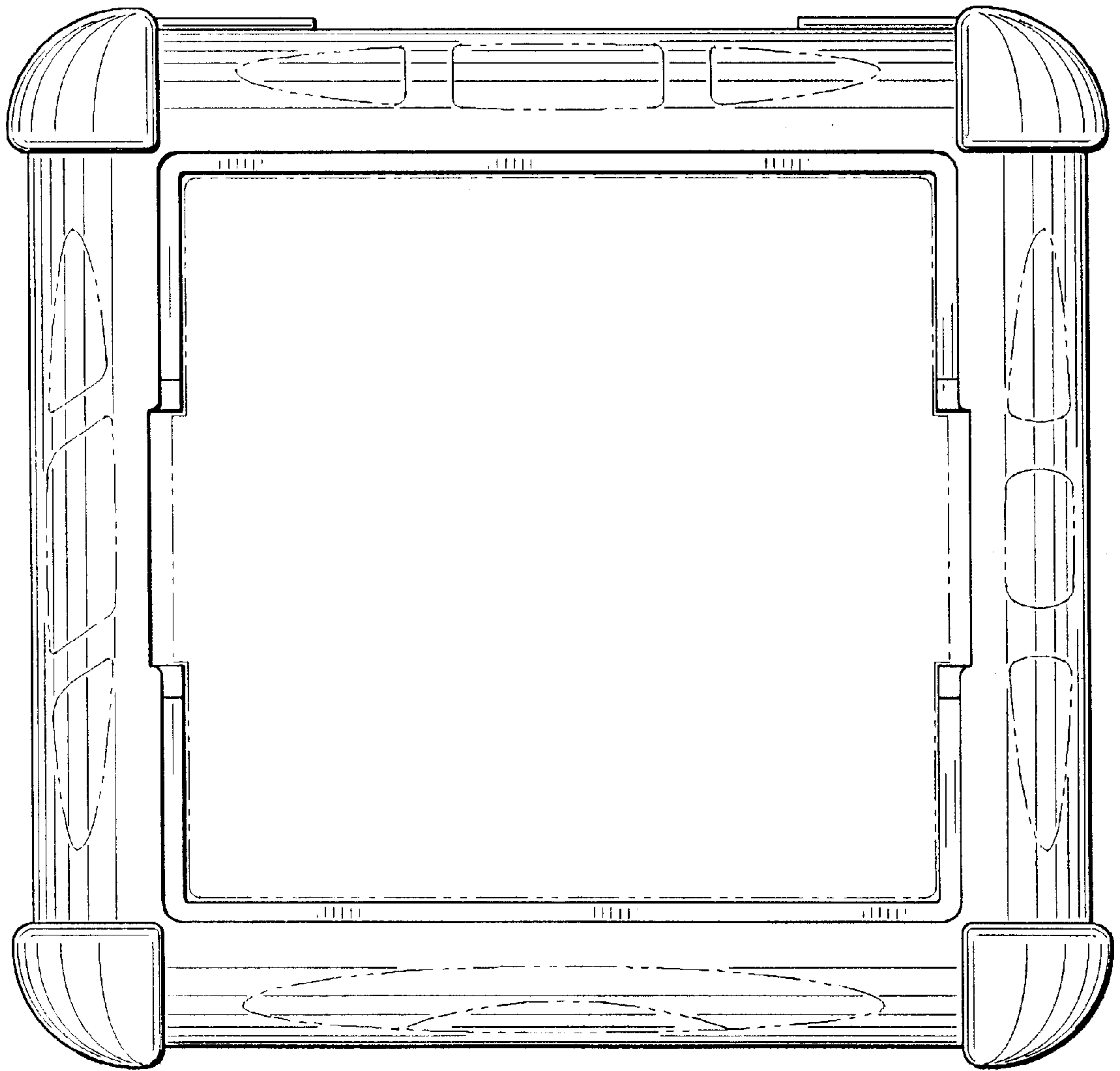


FIG. 3

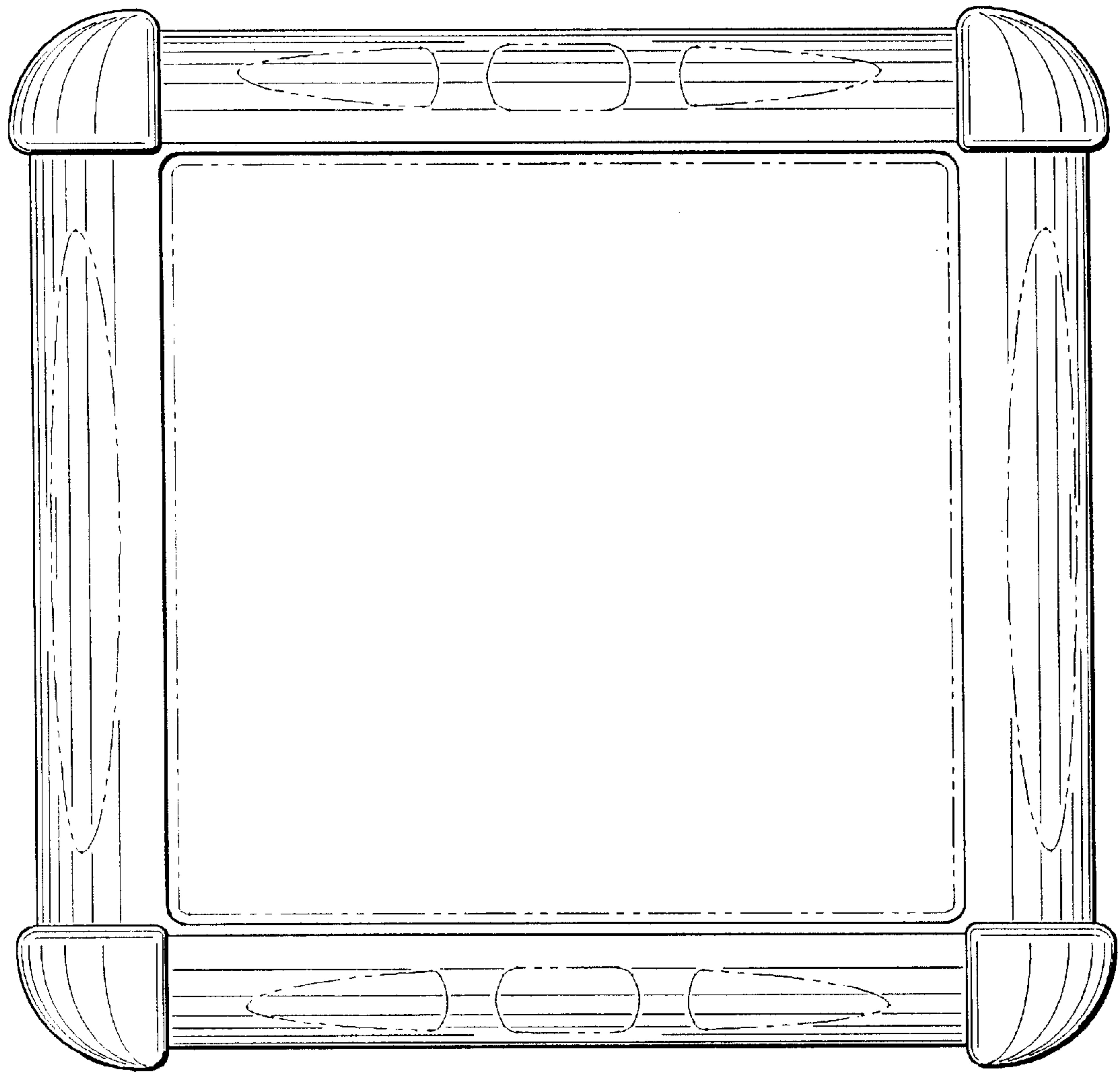


FIG. 4

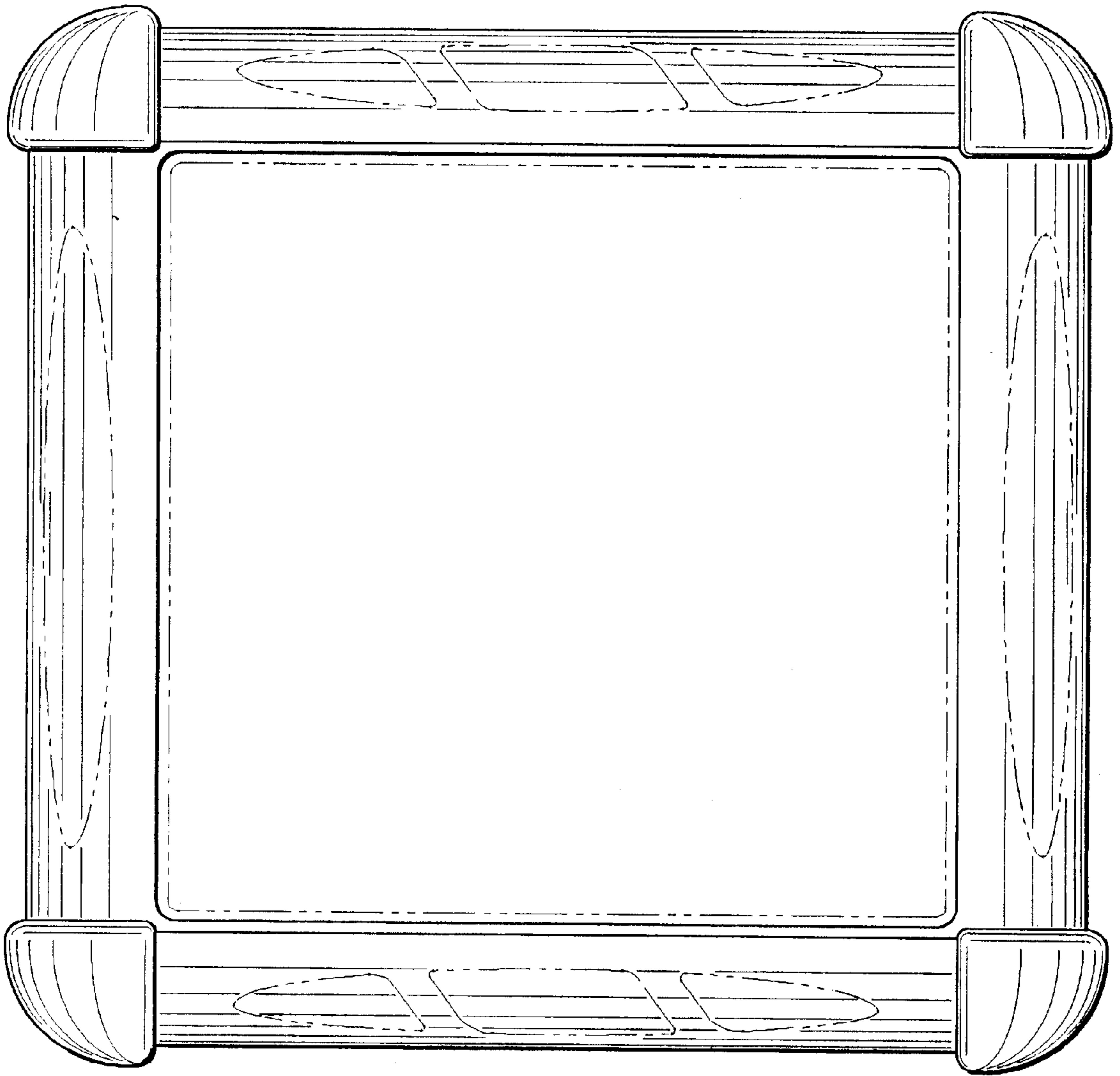


FIG. 5

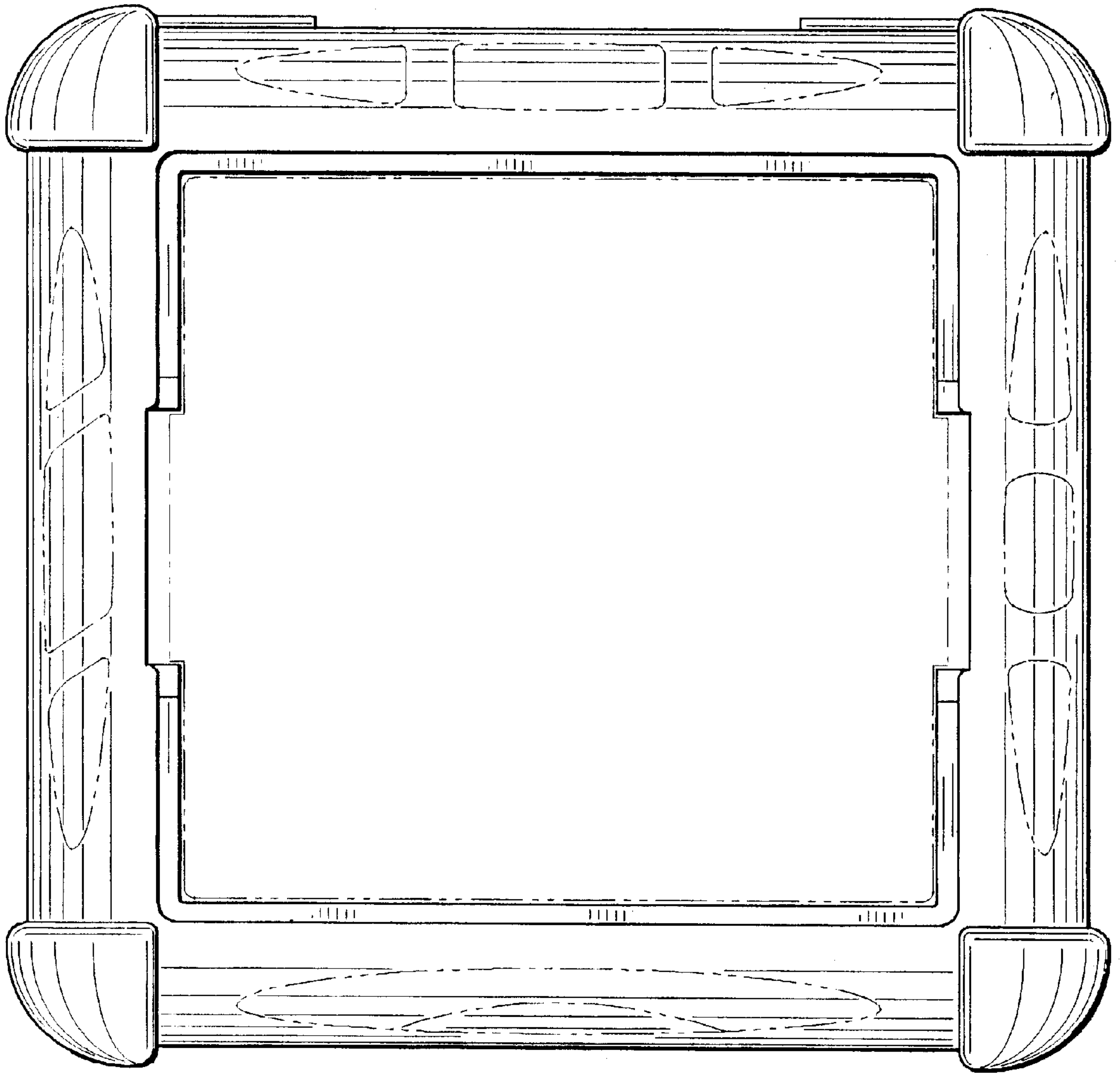


FIG. 6

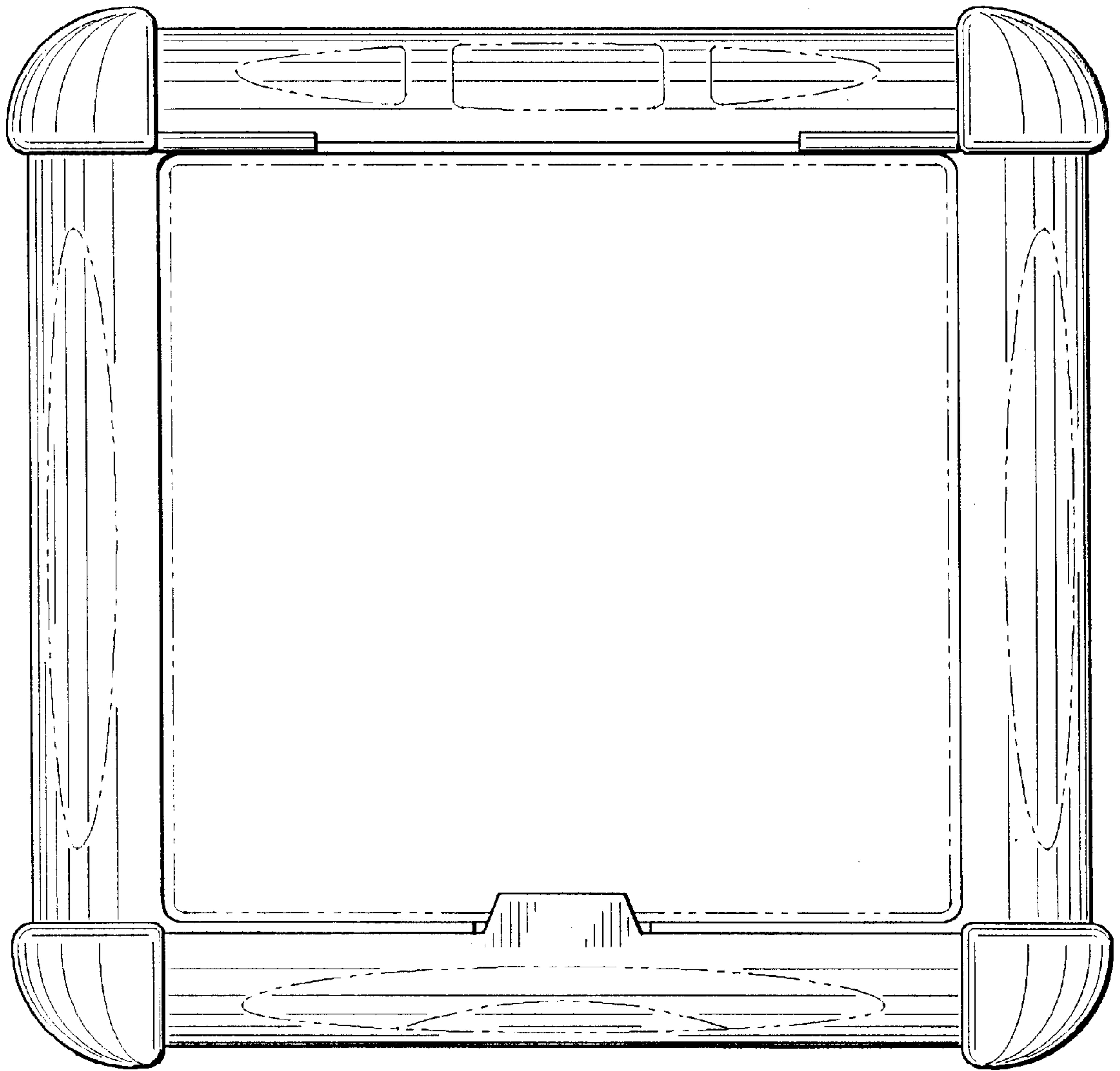


FIG. 7