



US00D446824B1

(12) **United States Design Patent**
Muraki et al.

(10) **Patent No.:** **US D446,824 S**
(45) **Date of Patent:** **** Aug. 21, 2001**

(54) **GAME MACHINE**

(75) Inventors: **Hiroyuki Muraki; Makiko Otomi**,
both of Kobe; **Toru Takeda**, Osaka;
Toshifumi Suzuki, Amagasaki, all of
(JP)

(73) Assignee: **Konami Co., Ltd.**, Hyogo-ken (JP)

(**) Term: **14 Years**

(21) Appl. No.: **29/133,322**

(22) Filed: **Nov. 28, 2000**

Related U.S. Application Data

(62) Division of application No. 29/106,584, filed on Jun. 17,
1999, now Pat. No. Des. 435,271.

(30) **Foreign Application Priority Data**

Dec. 25, 1998 (JP) 10-38292
Dec. 25, 1998 (JP) 10-38293

(51) **LOC (7) Cl.** **21-01**

(52) **U.S. Cl.** **D21/333**

(58) **Field of Search** D21/324-333,
D21/344, 350, 385; 463/1, 9, 14, 15, 16,
30-35, 46-50; 273/148 B, 237, 239, 283,
289; 446/417; 472/62

(56) **References Cited**

U.S. PATENT DOCUMENTS

D. 411,258 * 6/1999 Isetani et al. D21/328

D. 421,774 * 3/2000 Toriyama D21/325
4,142,722 * 3/1979 Romano et al. 463/52
5,299,810 * 4/1994 Pierce et al. 463/2
5,584,763 * 12/1996 Kelly et al. 463/16
5,611,731 * 3/1997 Bouton et al. 273/148 B

* cited by examiner

Primary Examiner—Prabhakar Deshmukh
(74) *Attorney, Agent, or Firm*—Jordan and Hamburg LLP

(57) **CLAIM**

The ornamental design for a game machine, as shown and
described.

DESCRIPTION

FIG. 1 is a perspective view of a game machine showing our
new design;

FIG. 2 is a front view thereof;

FIG. 3 is a rear view thereof;

FIG. 4 is a left side view thereof;

FIG. 5 is a right side view thereof;

FIG. 6 is a top view thereof; and,

FIG. 7 is a bottom view thereof.

The broken lines are for illustrative purposes only and forms
no part of the claimed design.

1 Claim, 7 Drawing Sheets

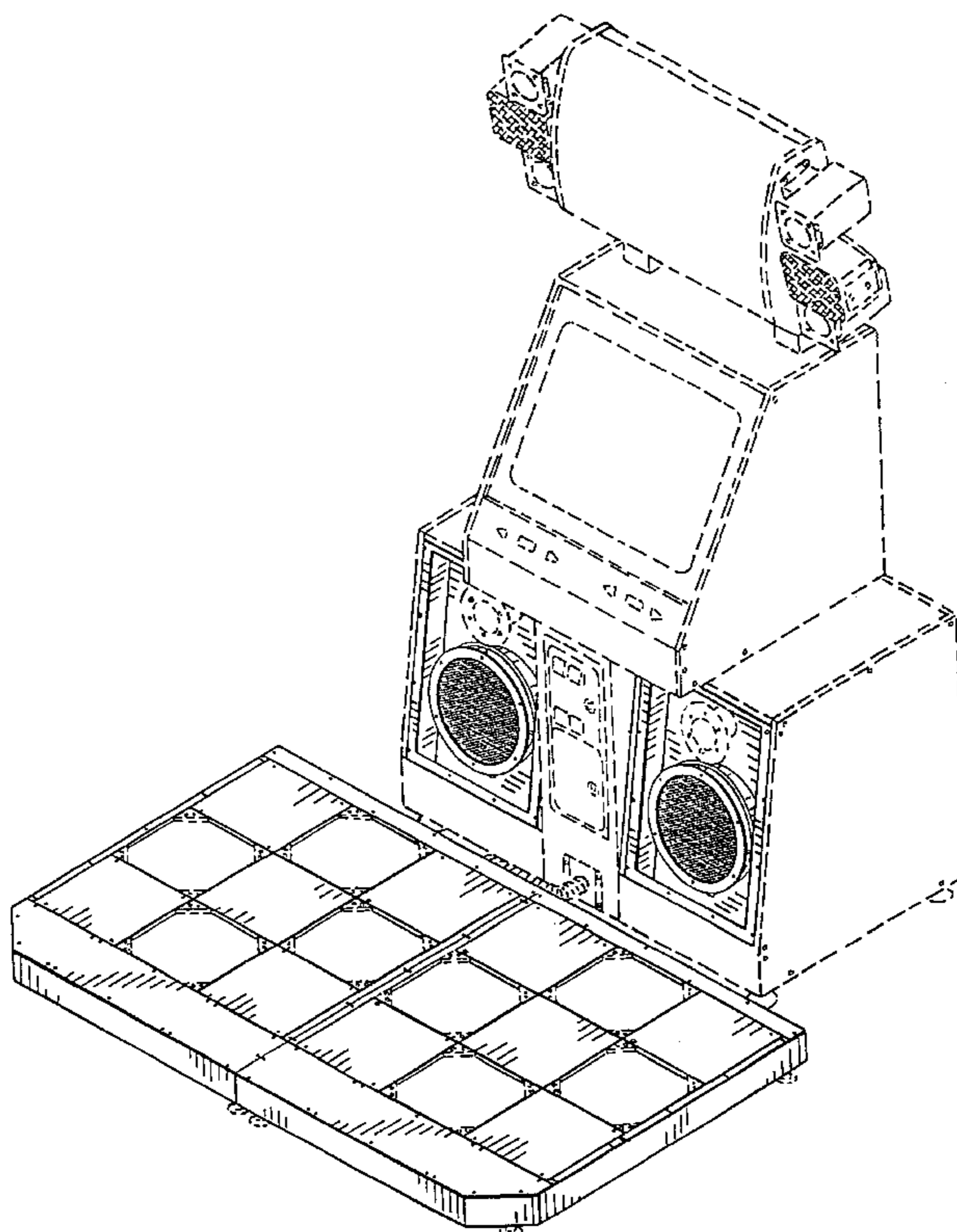


FIG. 1

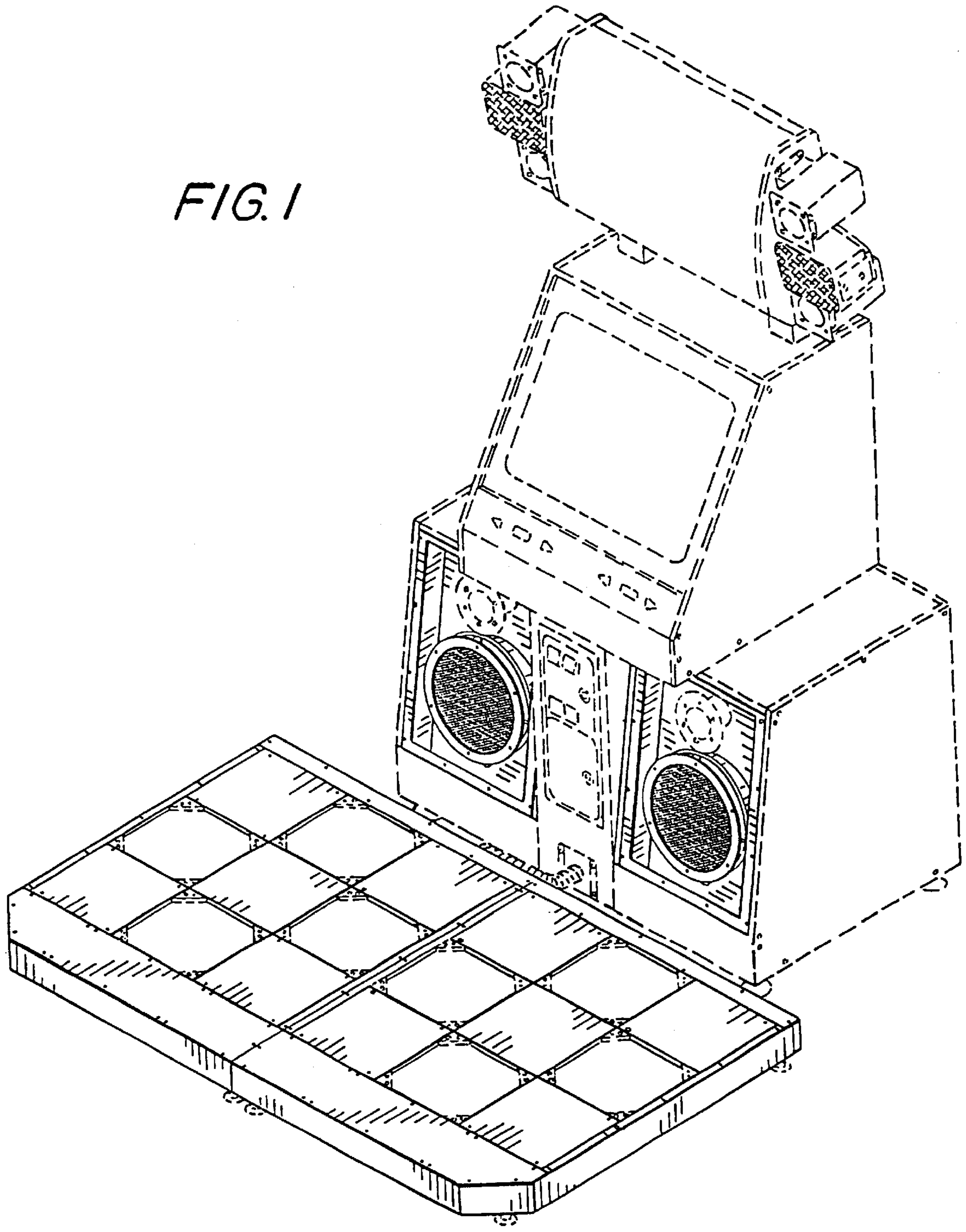


FIG. 2

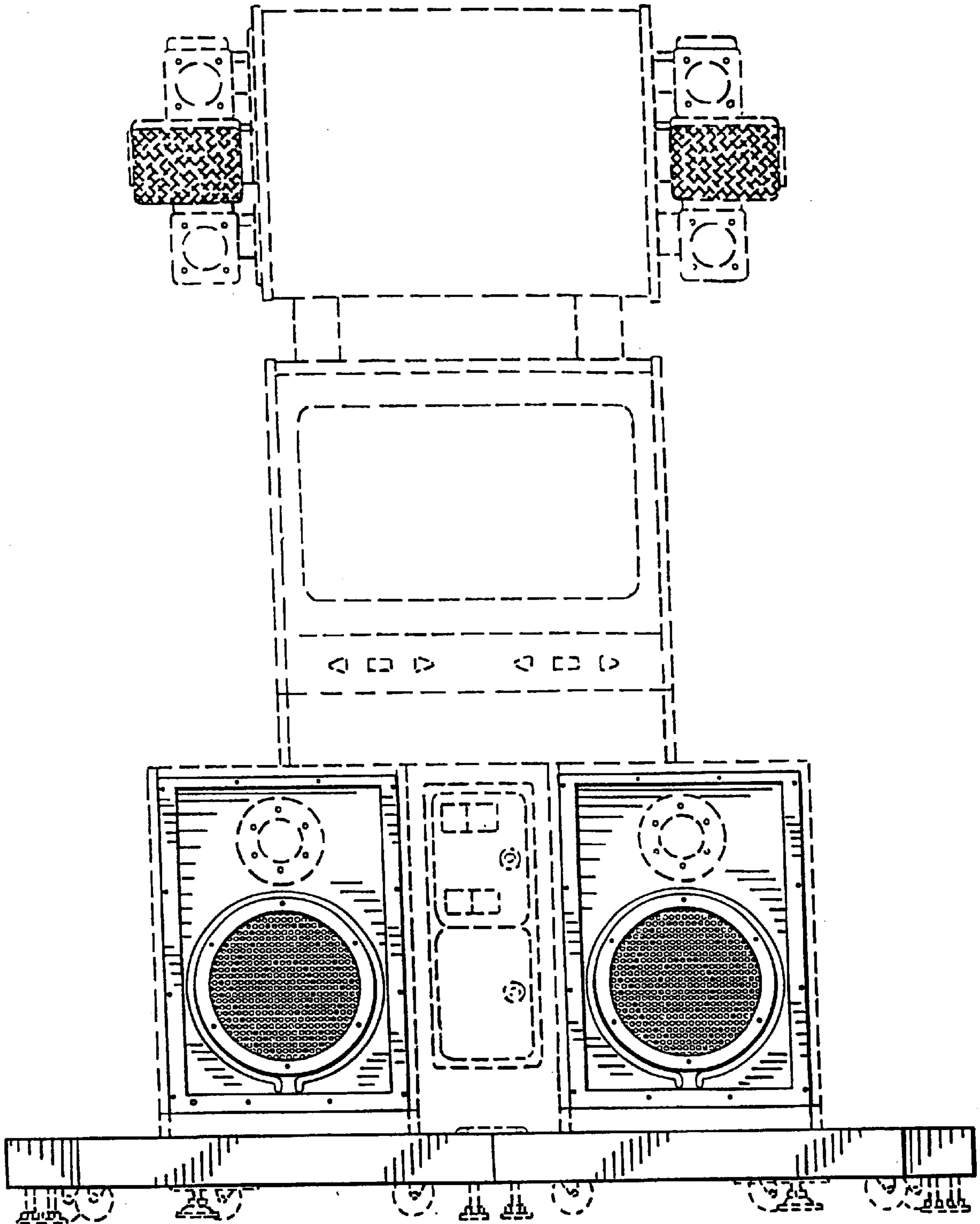


FIG. 3

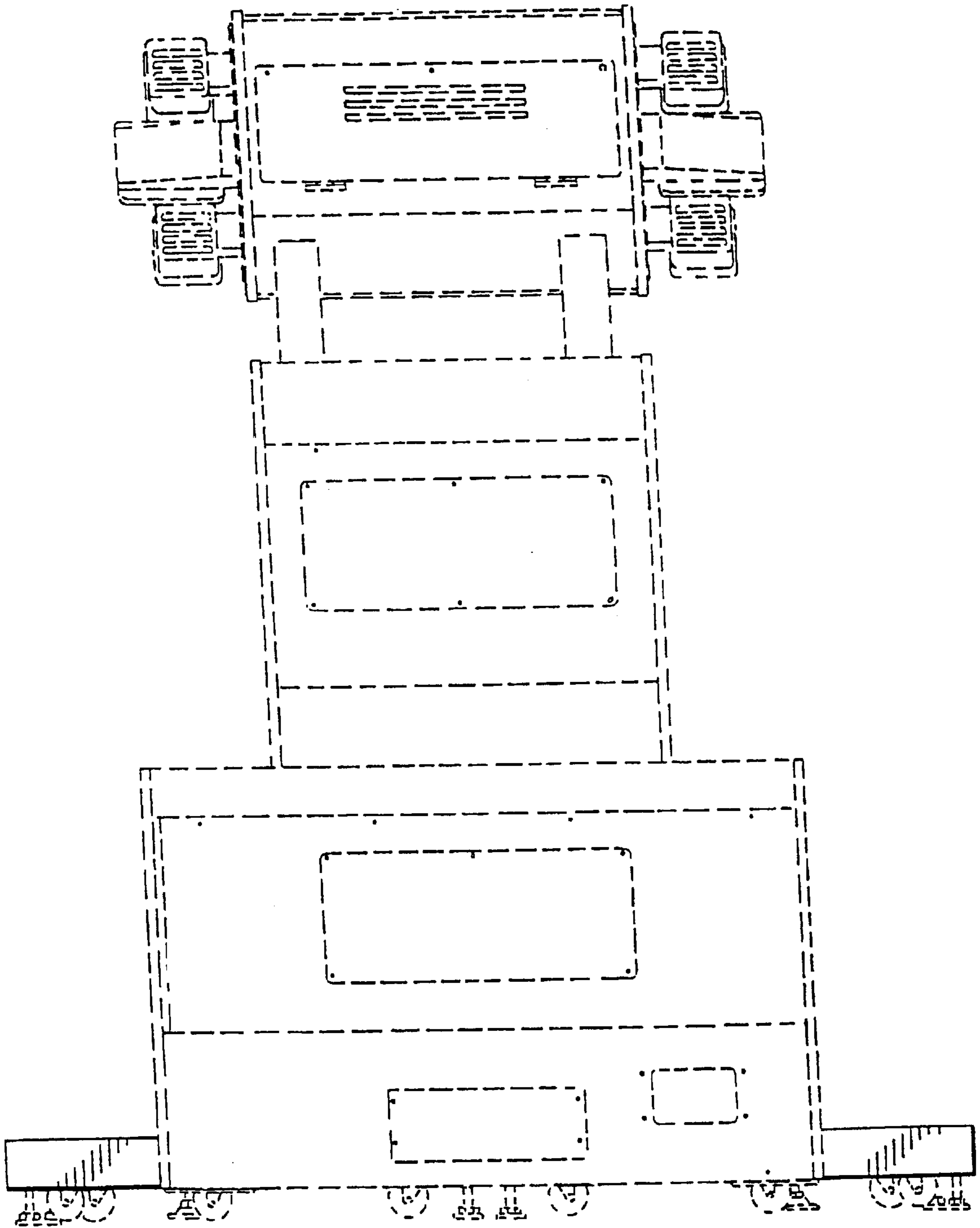


FIG. 4

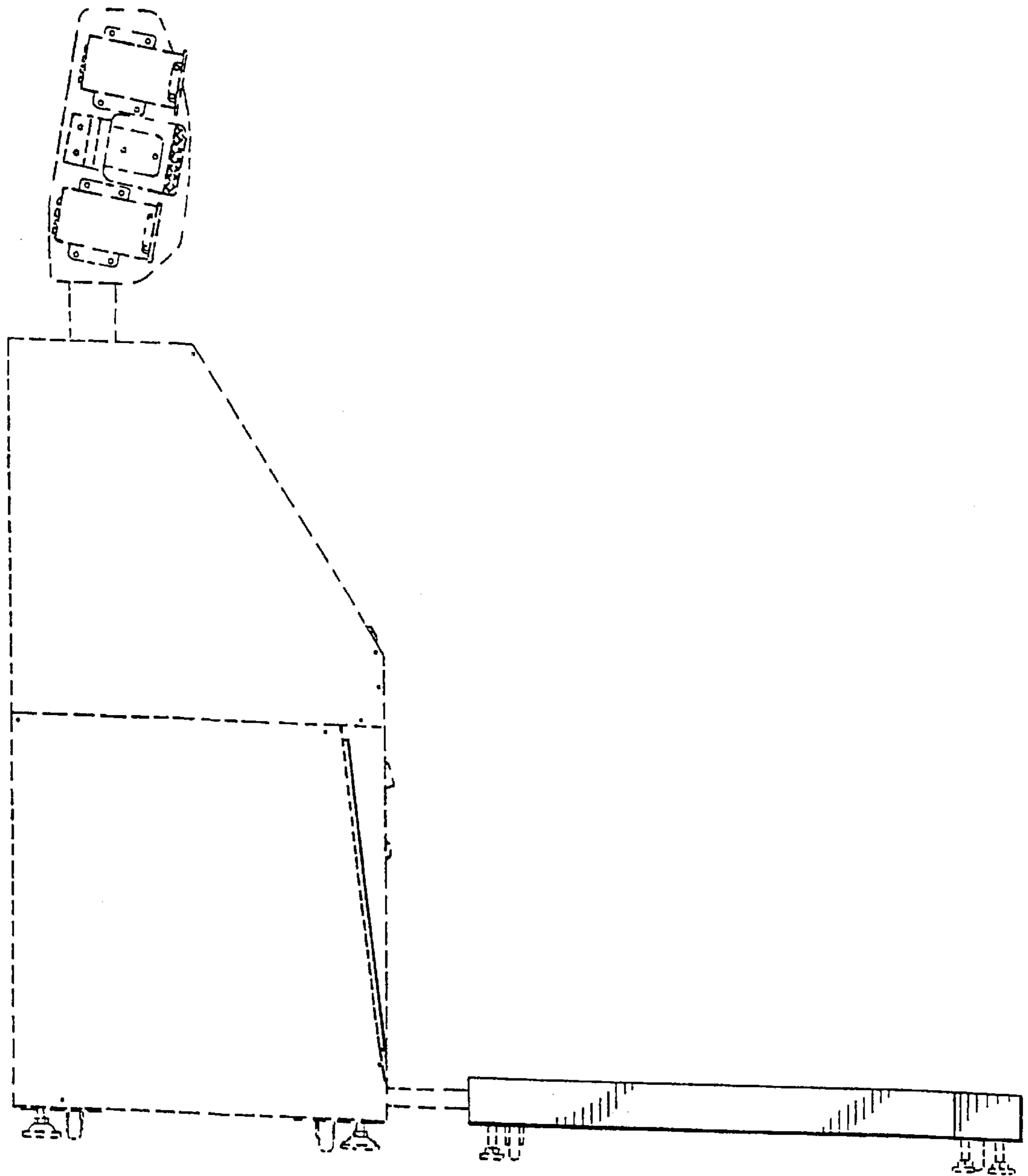


FIG. 5

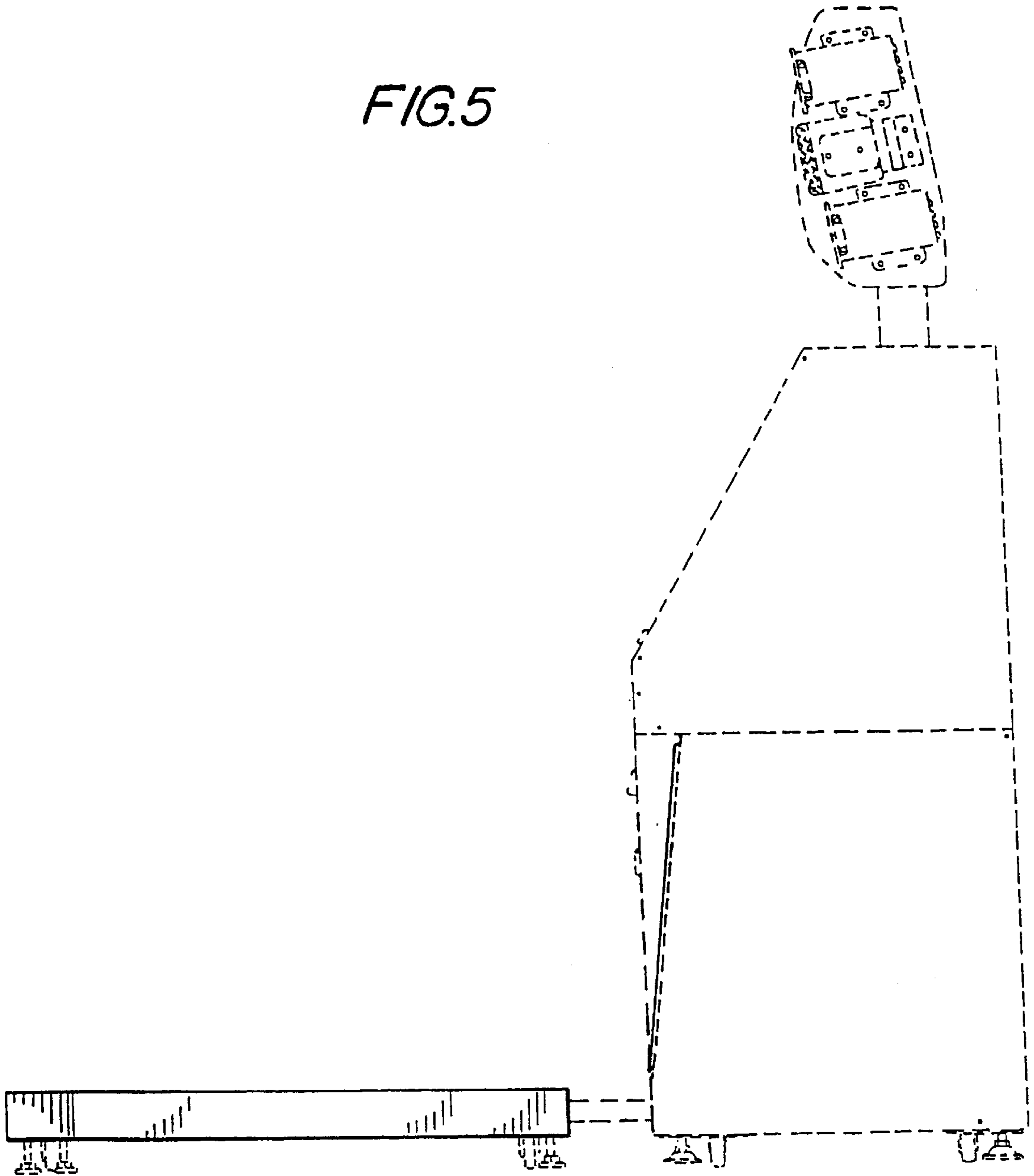


FIG. 6

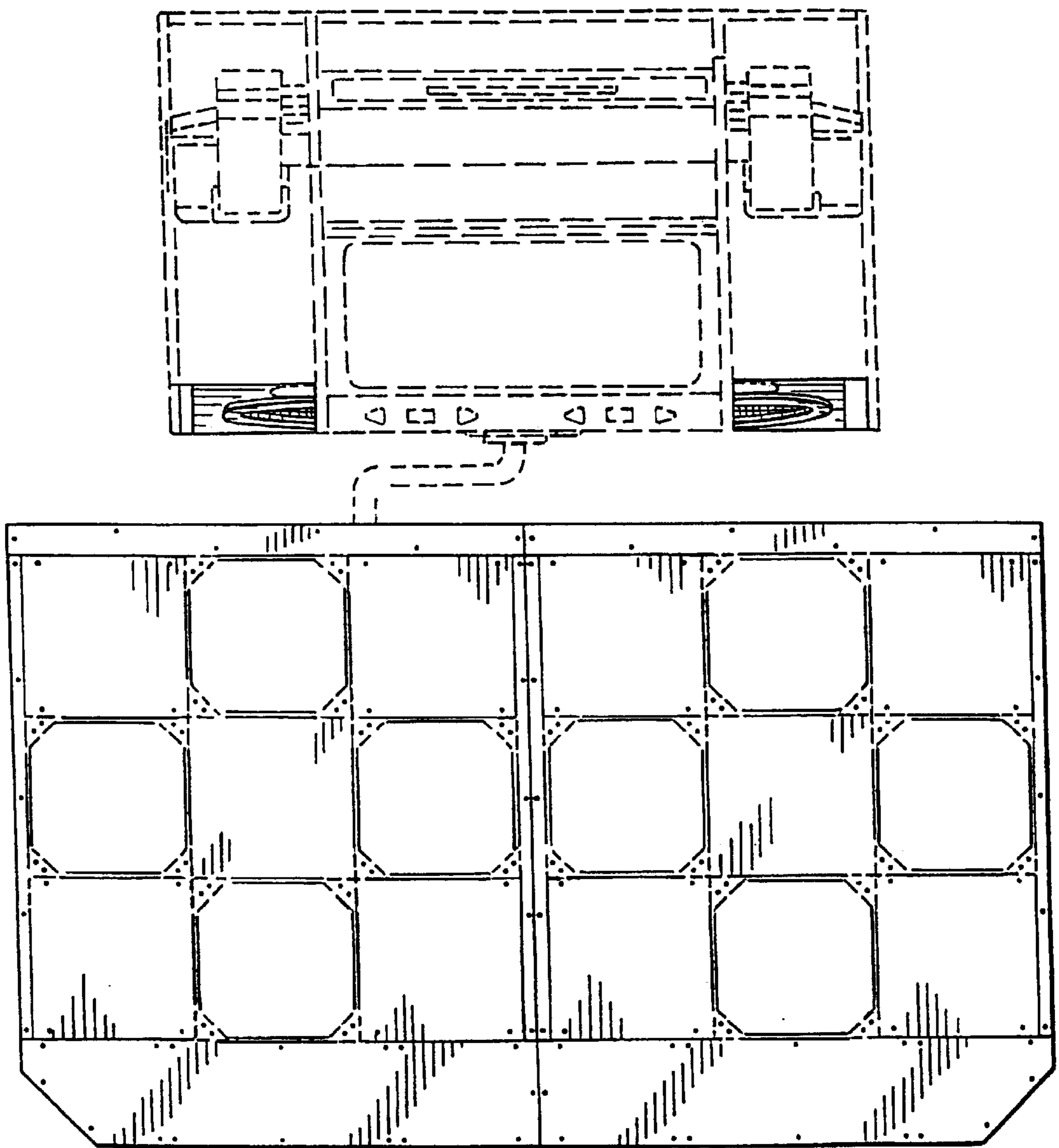


FIG. 7

