



US00D446823B1

(12) **United States Design Patent**  
**Podd et al.**

(10) **Patent No.:** **US D446,823 S**

(45) **Date of Patent:** **\*\* Aug. 21, 2001**

(54) **HAND-HELD ELECTRONIC BASKETBALL GAME**

(76) Inventors: **George O. Podd; James D. Morrow; Michael L. Nakamura**, all of Podd Morrow Design Incorporated, 1440 N. Dayton St., Chicago, IL (US) 60622

(\*\*) Term: **14 Years**

(21) Appl. No.: **29/130,571**

(22) Filed: **Oct. 3, 2000**

**Related U.S. Application Data**

(62) Division of application No. 29/113,959, filed on Nov. 15, 1999.

(51) **LOC (7) Cl.** ..... **21-01**

(52) **U.S. Cl.** ..... **D21/329**

(58) **Field of Search** ..... D21/324-333,  
D21/314, 385, 781; 273/148 B, 317.3; 463/1-4,  
29-35, 46, 47

(56) **References Cited**

**U.S. PATENT DOCUMENTS**

- D. 98,769 3/1936 Horwitt .
- D. 238,098 12/1975 Flak .
- D. 262,717 1/1982 Dweck .
- D. 262,719 1/1982 Dweck .
- D. 262,720 1/1982 Dweck .
- D. 262,723 1/1982 Dweck .
- D. 340,076 10/1993 Turner .
- D. 397,729 9/1998 Schulz et al. .
- D. 399,268 10/1998 Liu .
- D. 406,613 \* 3/1999 Nakanishi ..... D21/329
- D. 408,803 4/1999 Tyler et al. .
- D. 414,230 9/1999 John et al. .
- D. 416,587 \* 11/1999 Hornsby et al. .... D21/329
- D. 421,033 2/2000 Shirley et al. .

- D. 426,858 \* 6/2000 Straus et al. .... D21/329
- 3,624,939 12/1971 Gossard .
- 3,940,136 \* 2/1976 Runte ..... 463/1
- 4,363,484 12/1982 Breslow et al. .
- 4,872,854 10/1989 Hseu .
- 4,969,647 \* 11/1990 Mical et al. .... 463/46
- 5,026,058 6/1991 Bromley .
- 5,213,327 \* 5/1993 Kitau ..... 273/148 B
- 5,260,512 11/1993 Chomette et al. .
- 5,564,209 10/1996 Zagnoli .
- 5,741,182 4/1998 Lipps et al. .
- 5,775,997 \* 7/1998 Veatch ..... 463/46

**OTHER PUBLICATIONS**

HongKong Toys, Part 2, vol. 1, P-1249, Jan. 1998.\*

\* cited by examiner

*Primary Examiner*—Prabhakar Deshmukh

(74) *Attorney, Agent, or Firm*—David S. Alavi

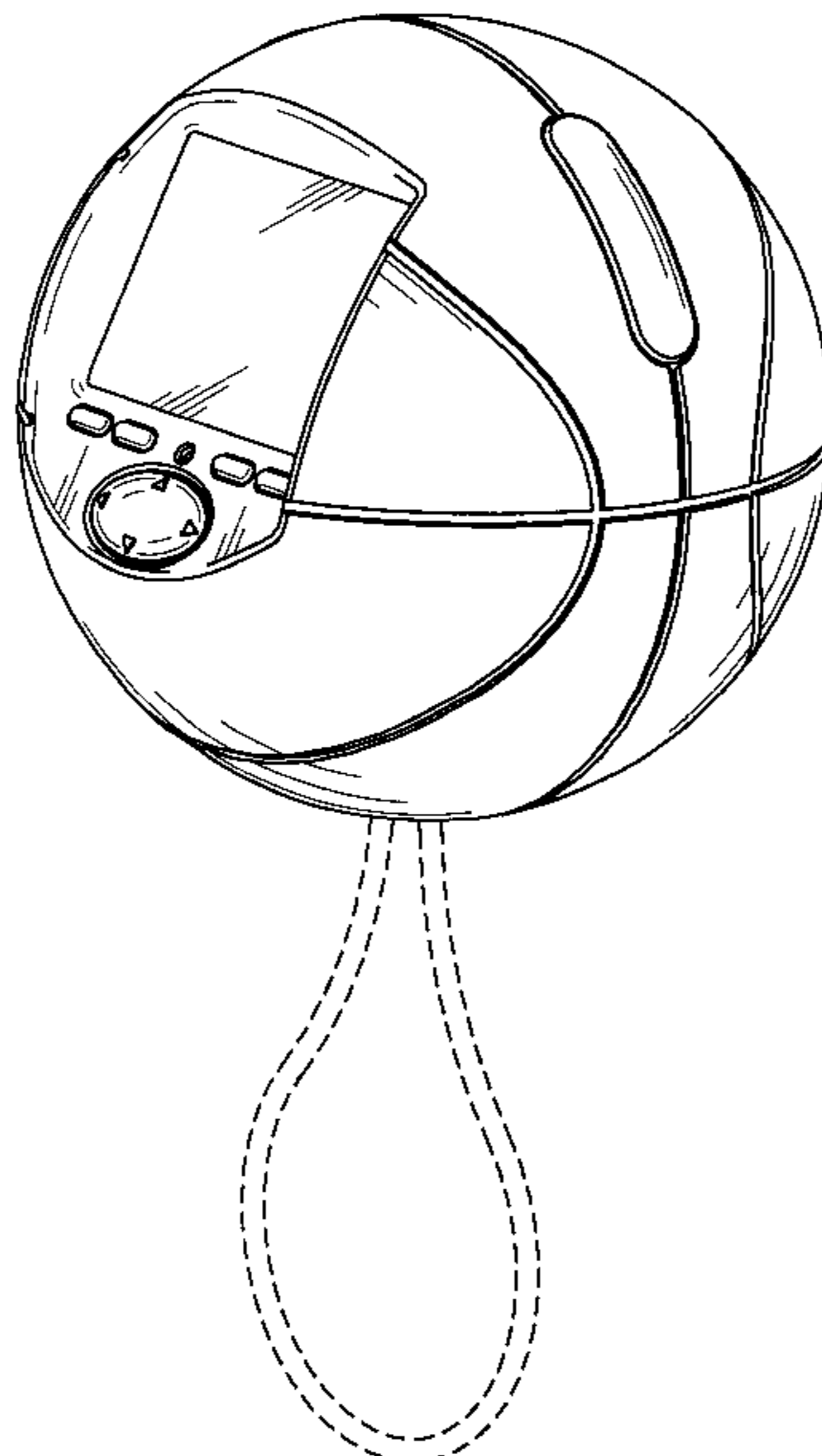
(57) **CLAIM**

The ornamental design for a hand-held electronic basketball game, as shown.

**DESCRIPTION**

FIG. 1 is a perspective view of a hand-held electronic basketball game showing our new design; FIG. 2 is a front elevational view thereof; FIG. 3 is a rear elevational view thereof; FIG. 4 is a right side elevational view thereof; FIG. 5 is a left side elevational view thereof; FIG. 6 is a top plan view thereof; FIG. 7 is a bottom plan thereof; and, FIG. 8 is a bottom plan view thereof; similar to FIG. 7 with wrist strap removed. The broken line showing of the wrist strap is for illustrative purposes only and forms no part of the claimed design.

**1 Claim, 4 Drawing Sheets**



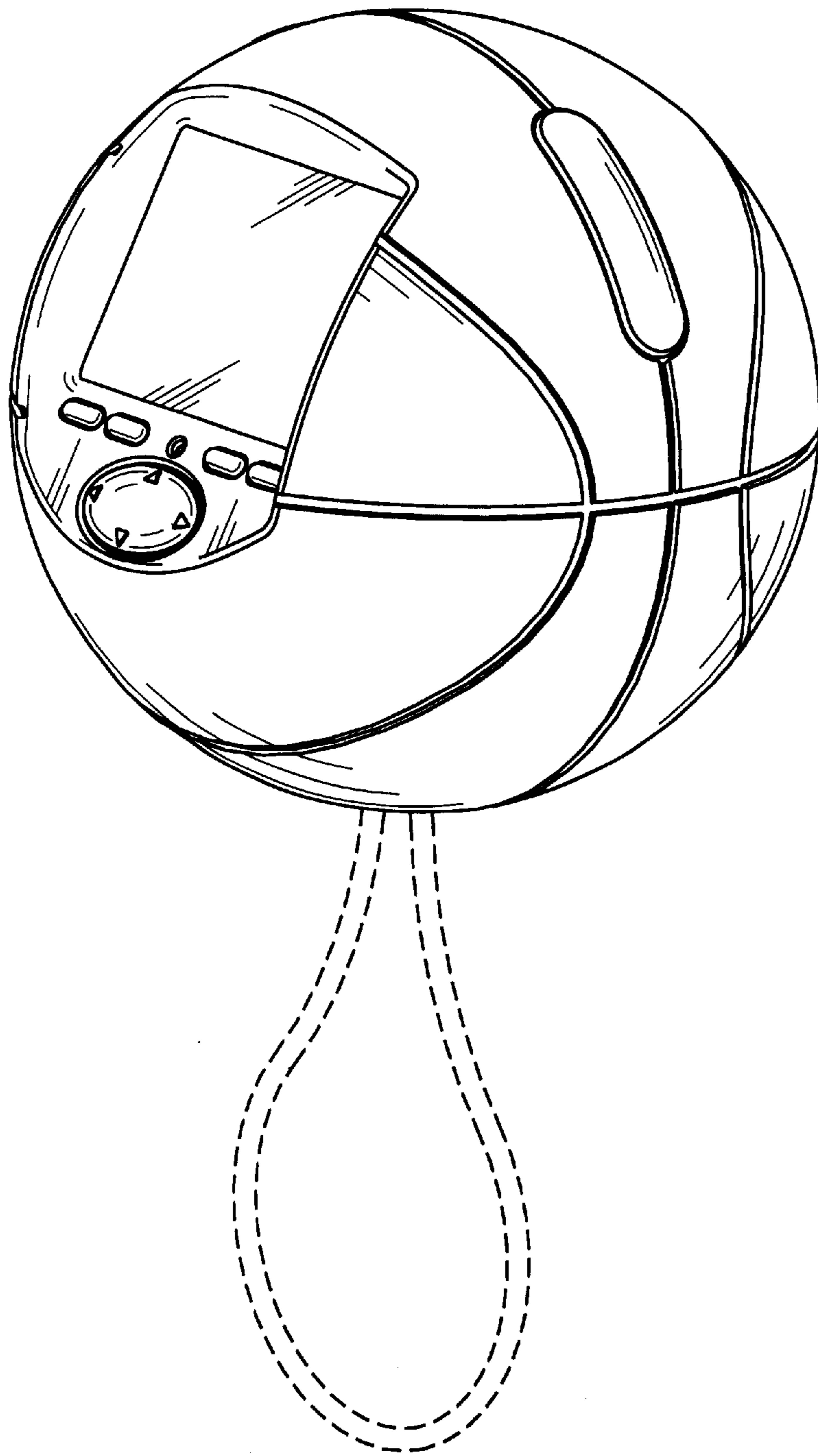


FIG. 1

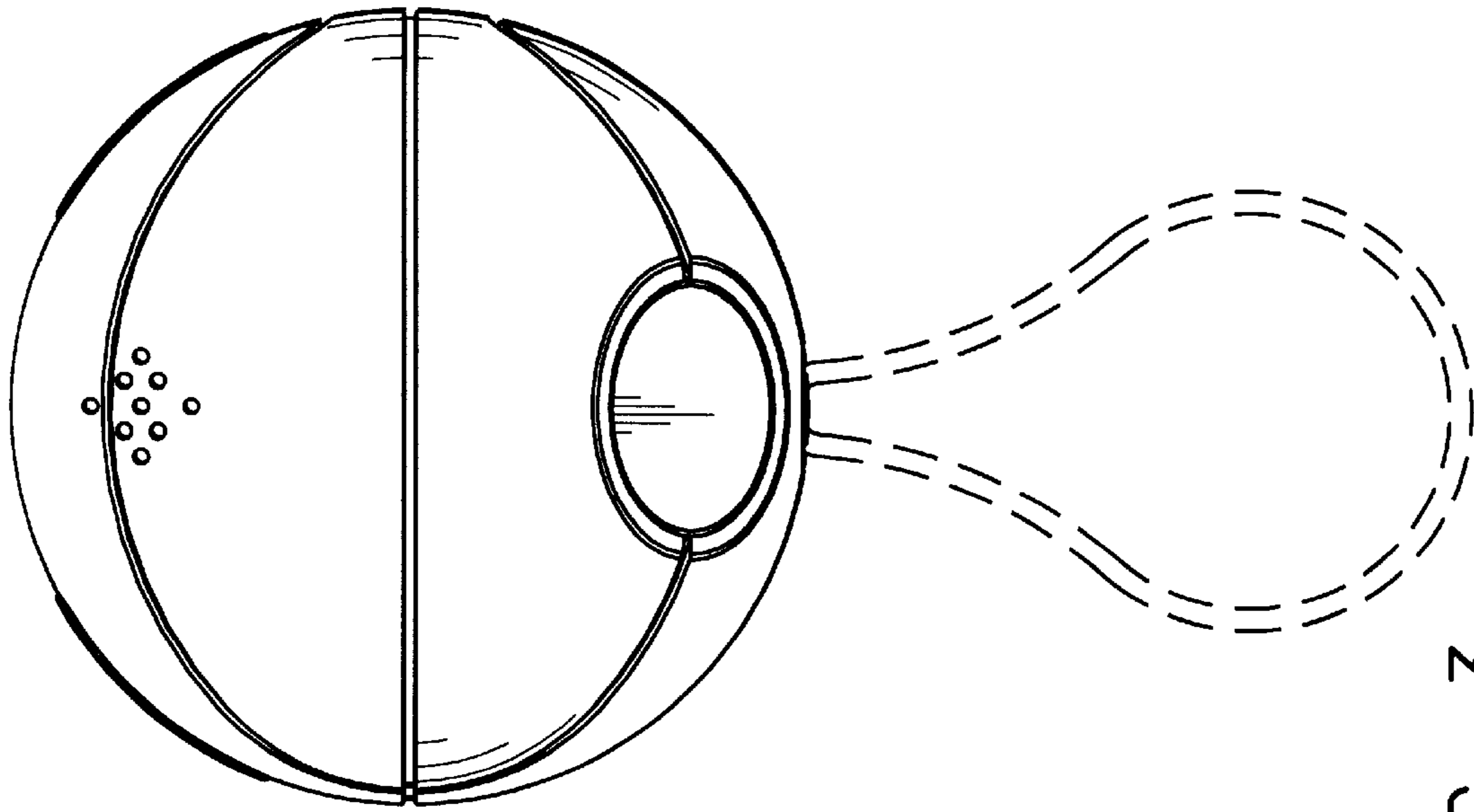


FIG. 3

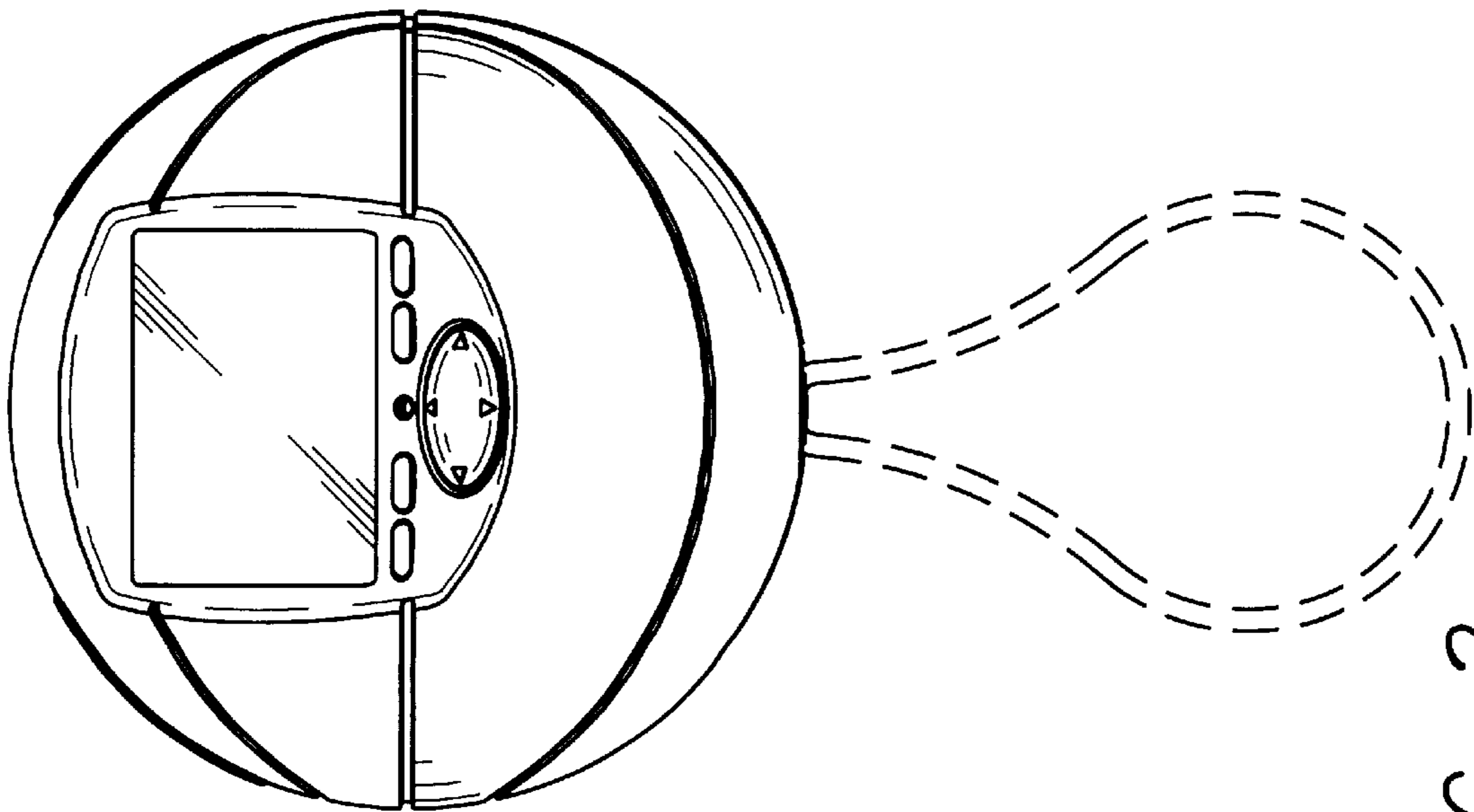


FIG. 2

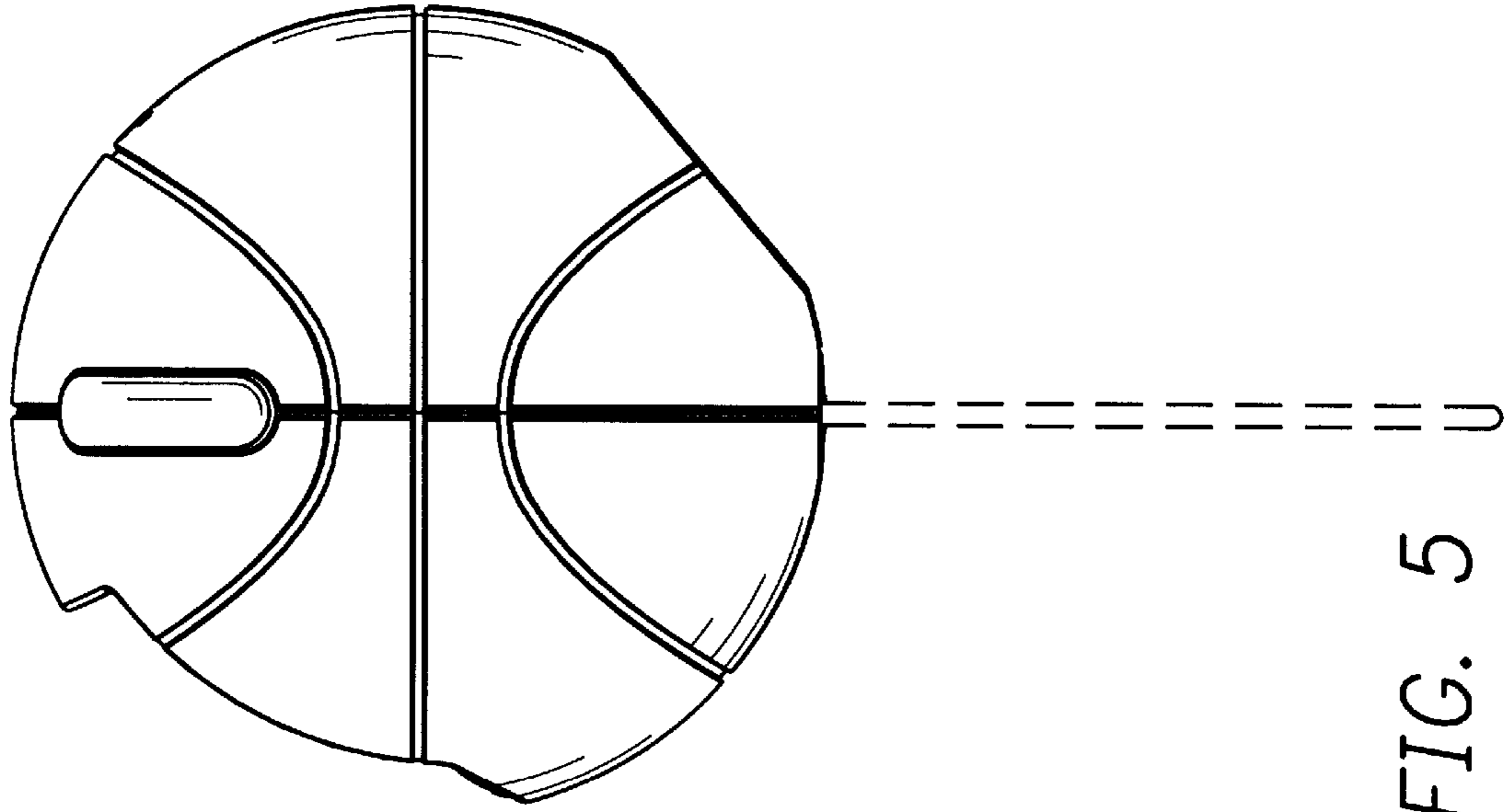


FIG. 4

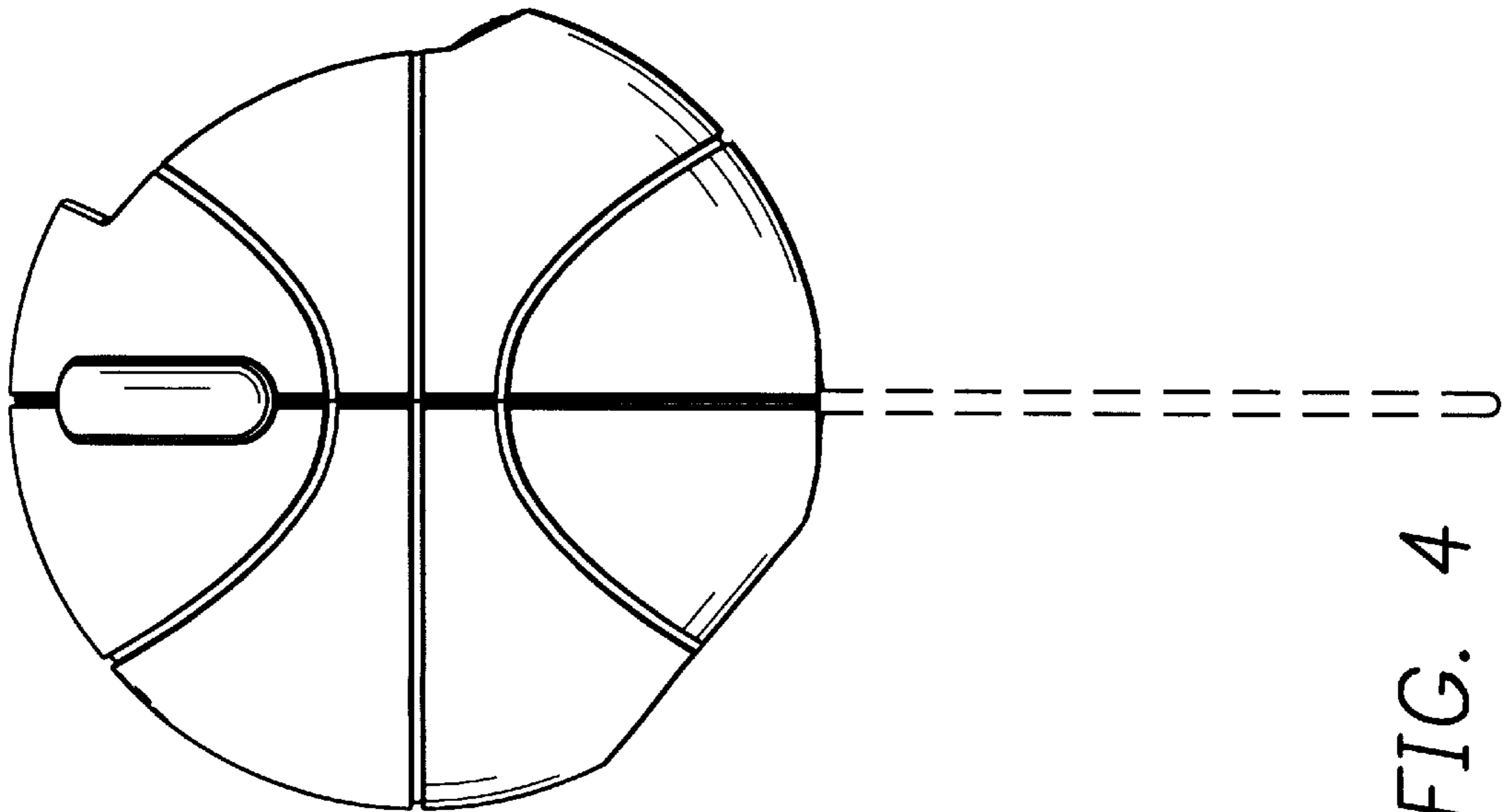


FIG. 5

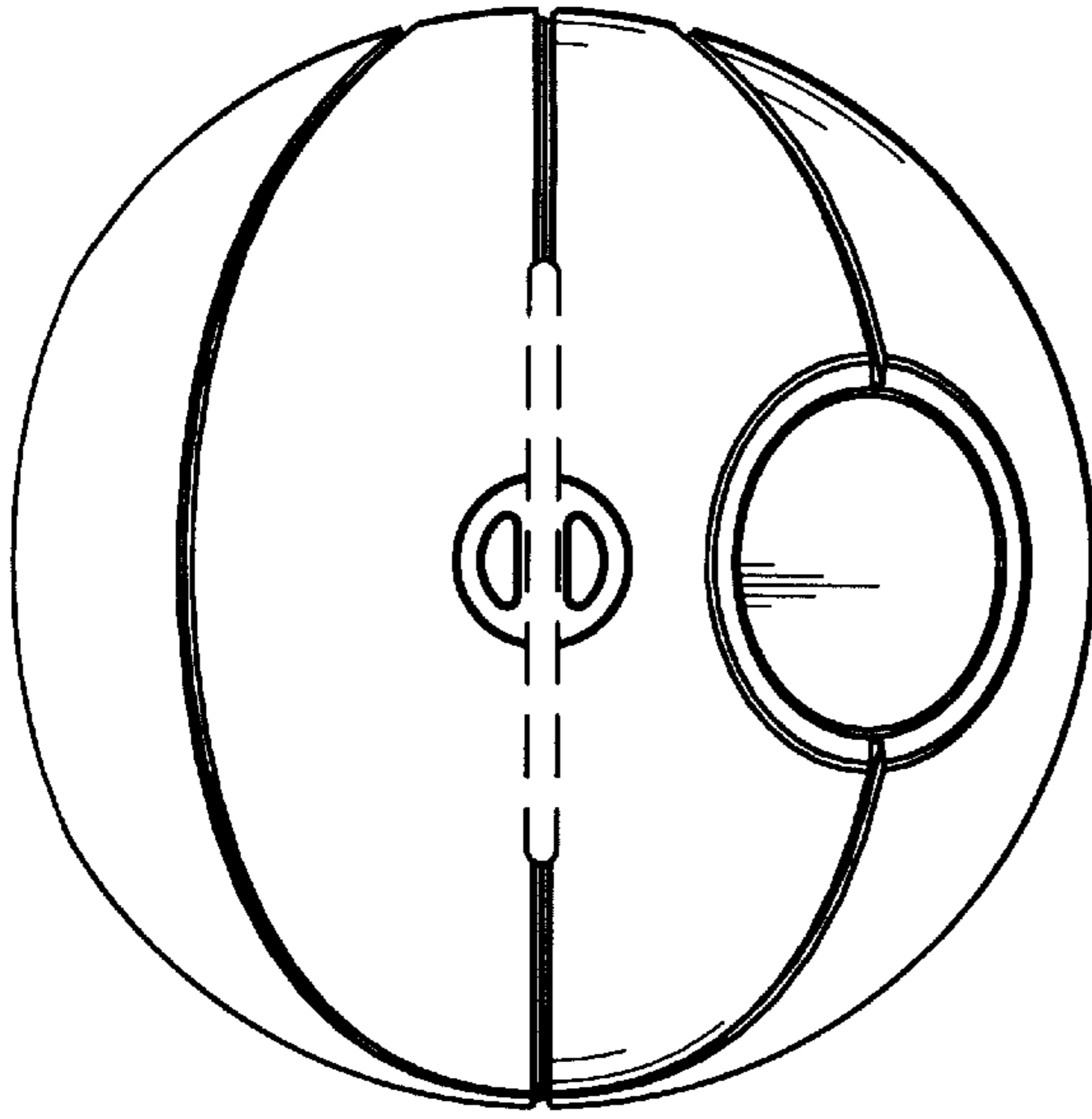


FIG. 7

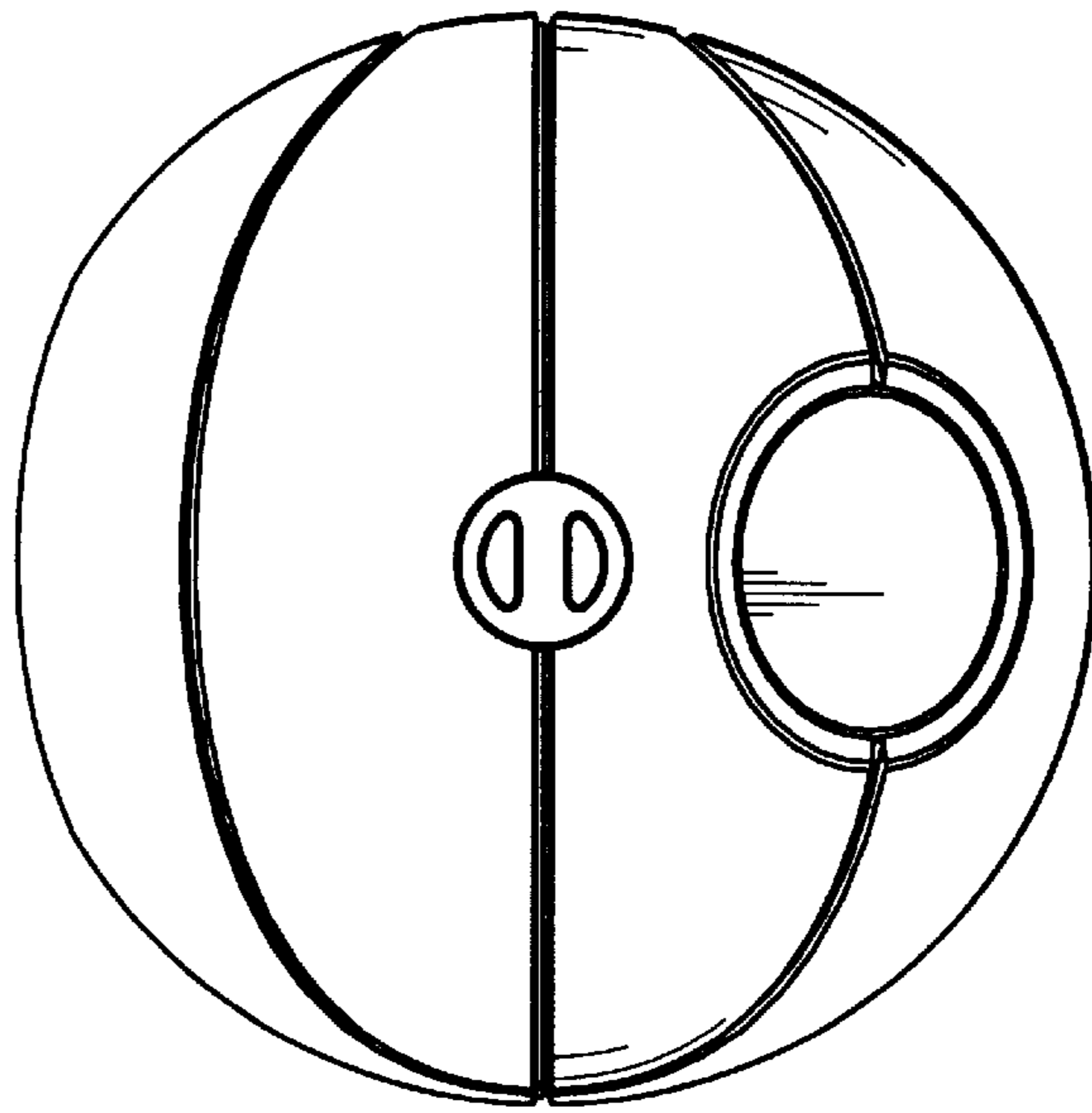


FIG. 8

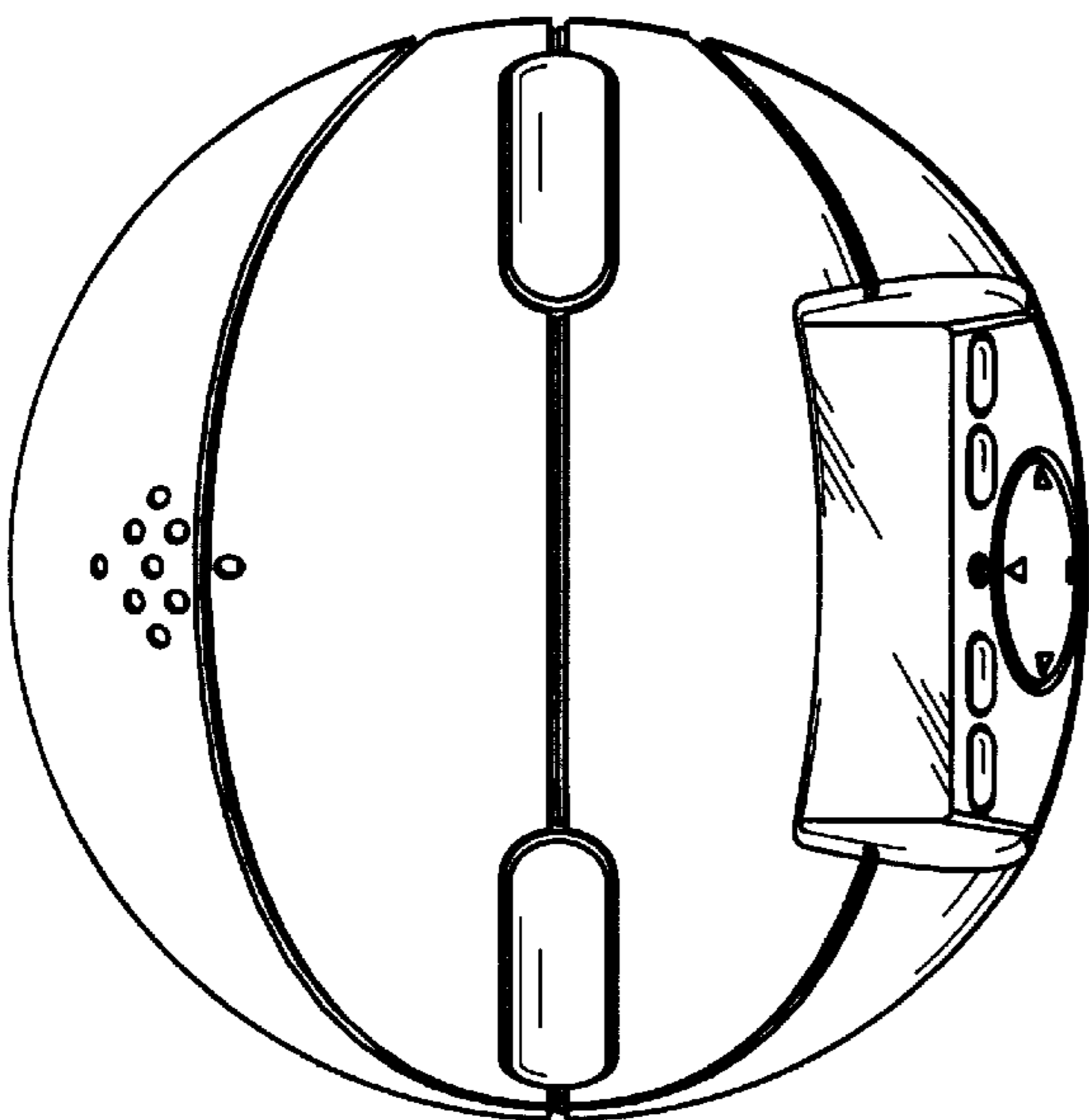


FIG. 6