



US00D446819B1

(12) **United States Design Patent**  
**Caloia et al.**

(10) **Patent No.:** **US D446,819 S**

(45) **Date of Patent:** **\*\* Aug. 21, 2001**

(54) **DEVICE TAG FOR DISPLAY OF ELECTRICAL DEVICES**

5,702,128 \* 12/1997 Maxim et al. .... 283/81

**OTHER PUBLICATIONS**

(75) Inventors: **Lisa Cookie Caloia**, Solvay; **Timothy Kiggins**; **Frederick Kandel**, both of Syracuse, all of NY (US)

Flower Key Chain, Tag Master Catalog, Front Page, 1972.\*  
No. 3849, Grammes Tags, Jan. 1940.\*

\* cited by examiner

(73) Assignee: **Pass & Seymour, Inc.**, Solvay, NY (US)

*Primary Examiner*—Susan J. Lucas

*Assistant Examiner*—Jenifer Rivard

(\*\*) Term: **14 Years**

(74) *Attorney, Agent, or Firm*—Harter, Secrest & Emery LLP; Stephen B. Salai, Esq.; Brian B. Shaw, Esq.

(21) Appl. No.: **29/107,888**

(57) **CLAIM**

(22) Filed: **Jul. 15, 1999**

The ornamental design for a device tag for display of electrical devices, as shown and described.

**Related U.S. Application Data**

**DESCRIPTION**

(62) Division of application No. 29/097,815, filed on Dec. 15, 1998, now Pat. No. Des. 416,050.

FIG. 1 is a front elevation of the tag showing our new design;

(51) **LOC (7) Cl.** ..... **19-08**

FIG. 3 is a rear elevation of the tag of FIG. 1;

(52) **U.S. Cl.** ..... **D20/22; D20/23; D13/154**

FIG. 3 is a side elevation of the tag of FIG. 1; and,

(58) **Field of Search** ..... D20/10, 11, 22-28, D20/40; 40/1.5, 299.01, 300.316, 27.5; 283/81; D13/154, 157

FIG. 4 is a perspective view showing the tag of FIG. 1 in cooperative orientation with respect to an electrical display device.

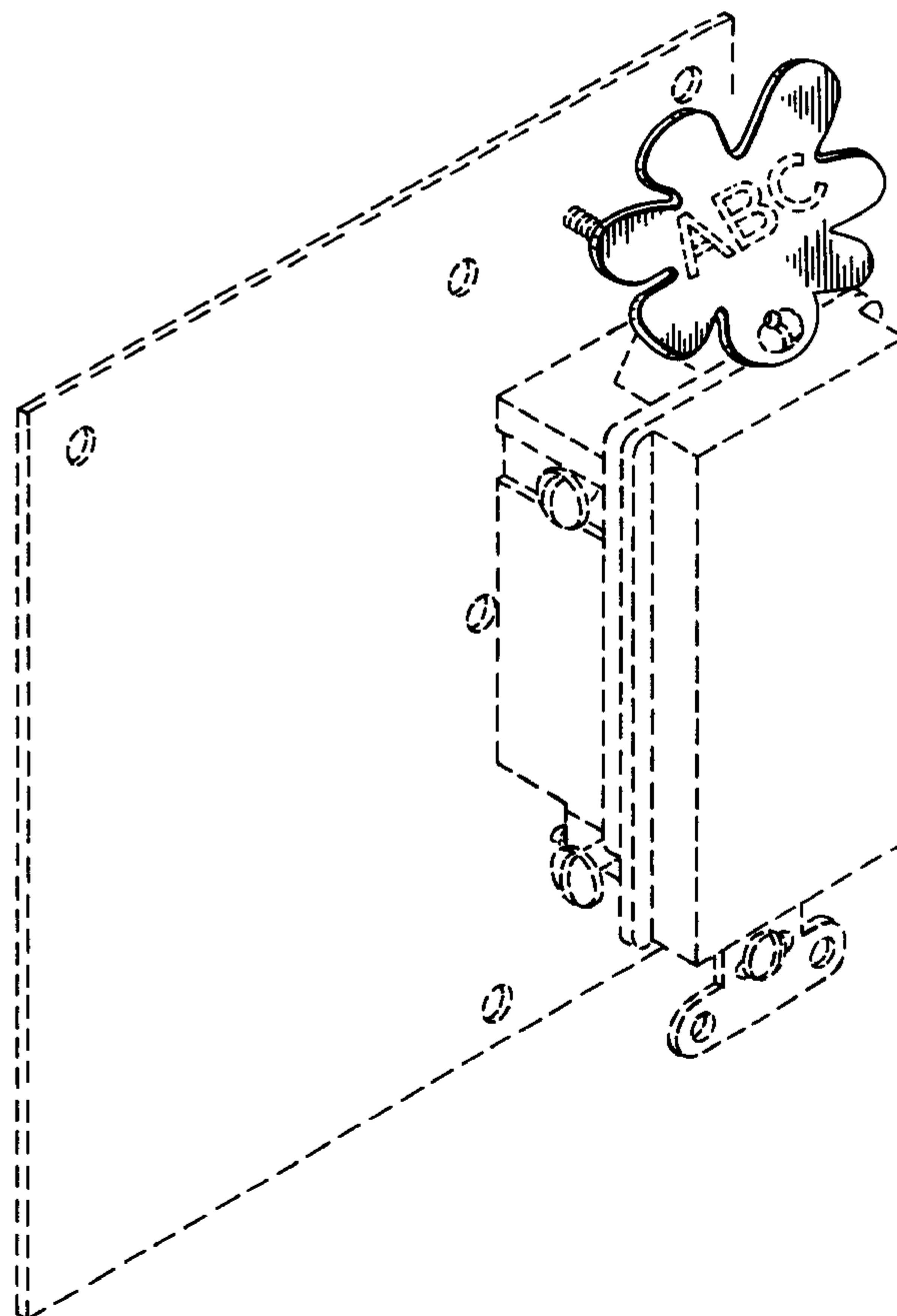
(56) **References Cited**

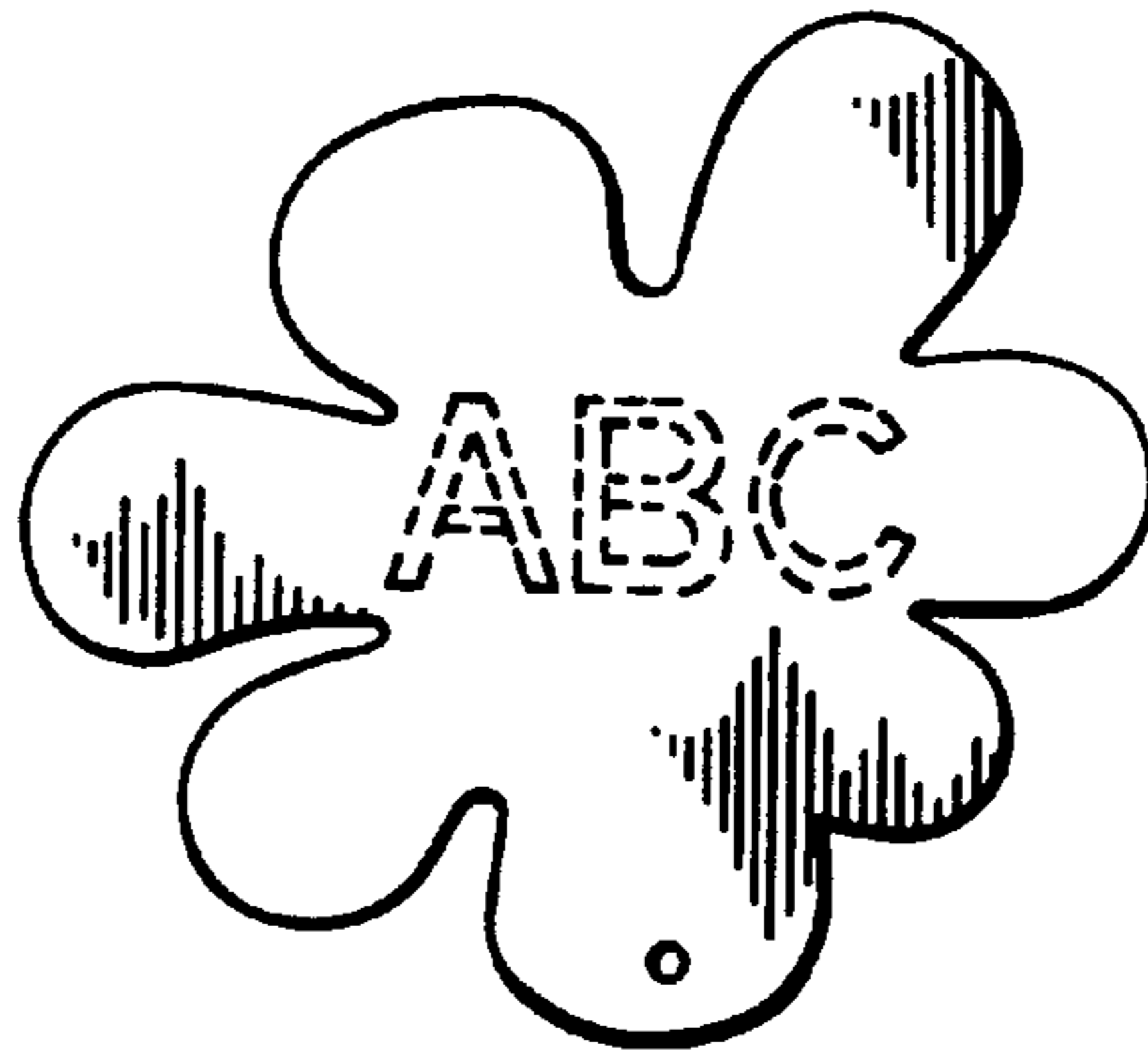
The broken lines are shown for illustrative purposes only and form no part of the claimed design.

**U.S. PATENT DOCUMENTS**

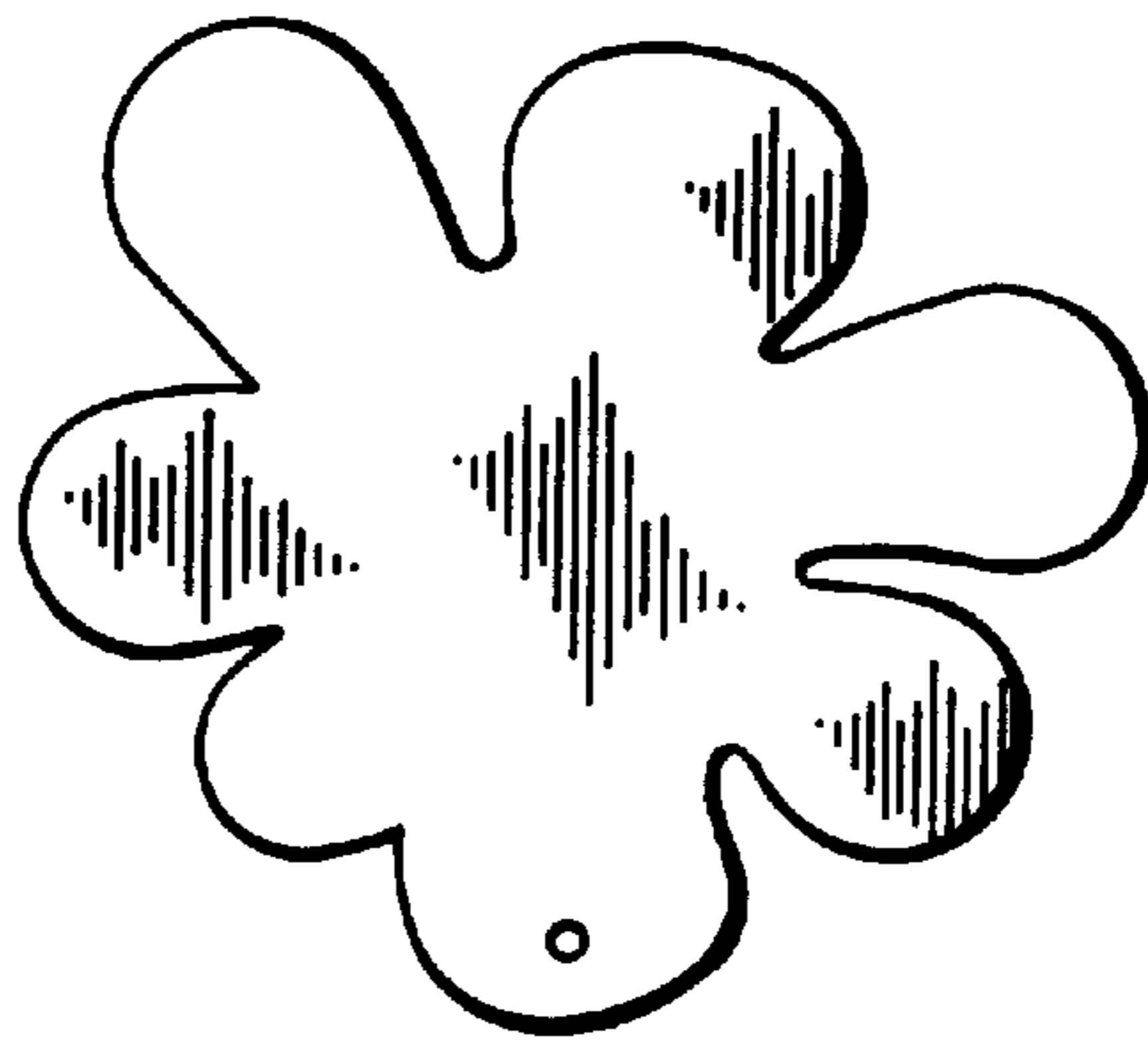
4,547,001 \* 10/1985 Stitt ..... 283/81

**1 Claim, 2 Drawing Sheets**





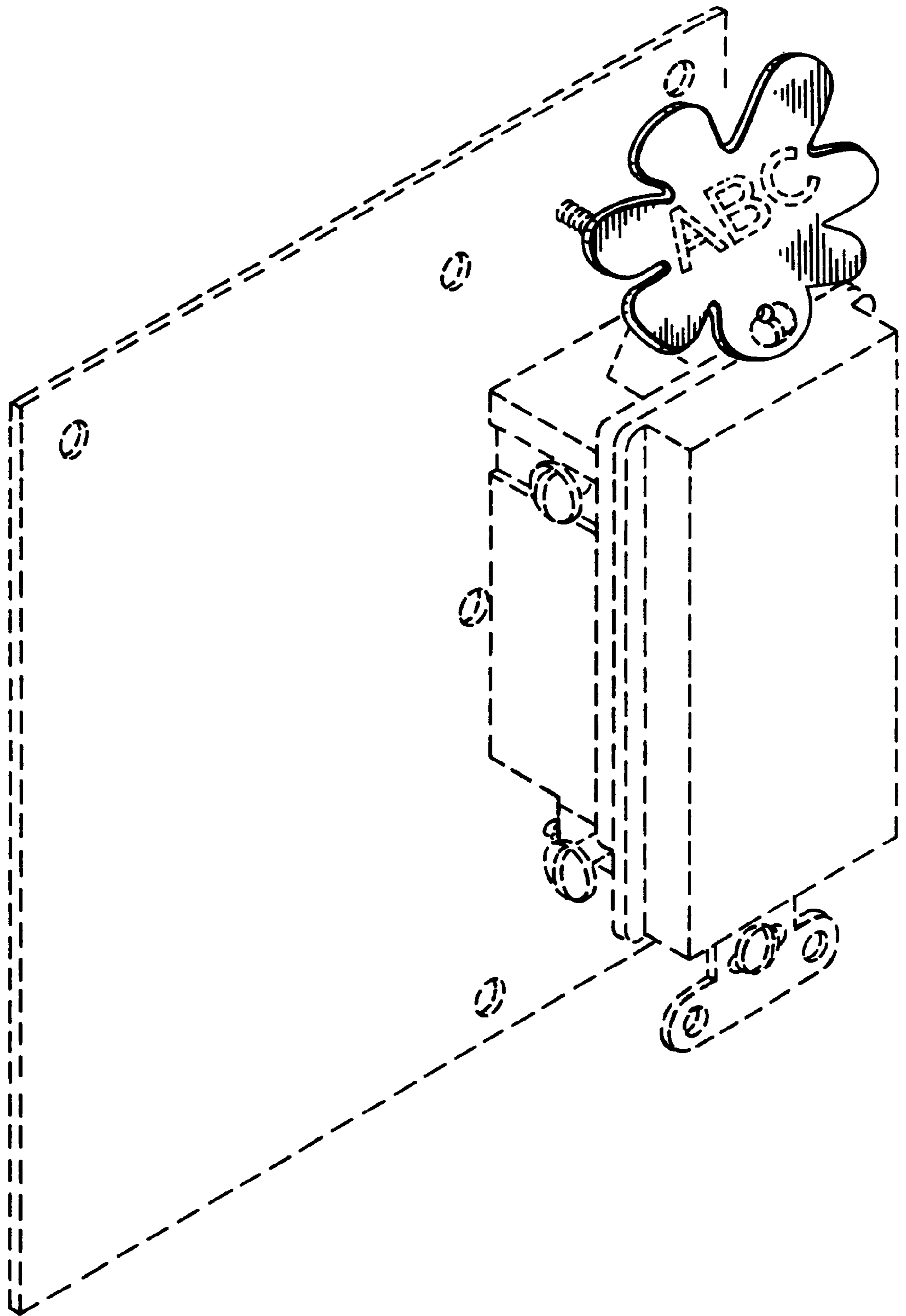
**FIG. 1**



**FIG. 2**



**FIG. 3**



**FIG. 4**