



US00D446817B1

(12) **United States Design Patent**
Grill

(10) **Patent No.:** **US D446,817 S**

(45) **Date of Patent:** **** Aug. 21, 2001**

(54) **VENDING MACHINE**

3,937,314 * 2/1976 Rosenberg 194/255

(76) Inventor: **Simon Grill**, 9819 Etiwanda St.,
Northridge, CA (US) 91325

* cited by examiner

(**) Term: **14 Years**

Primary Examiner—Nanda Bondade
(74) *Attorney, Agent, or Firm*—Kelly Bauersfeld Lowry &
Kelley, LLP

(21) Appl. No.: **29/133,175**

(57) **CLAIM**

(22) Filed: **Nov. 21, 2000**

The ornamental design for a vending machine, as shown.

(51) **LOC (7) Cl.** **20-01**

(52) **U.S. Cl.** **D20/7**

(58) **Field of Search** D20/1-8; D7/598;
194/255, 258, 296, 350; 221/155, 240,
245

DESCRIPTION

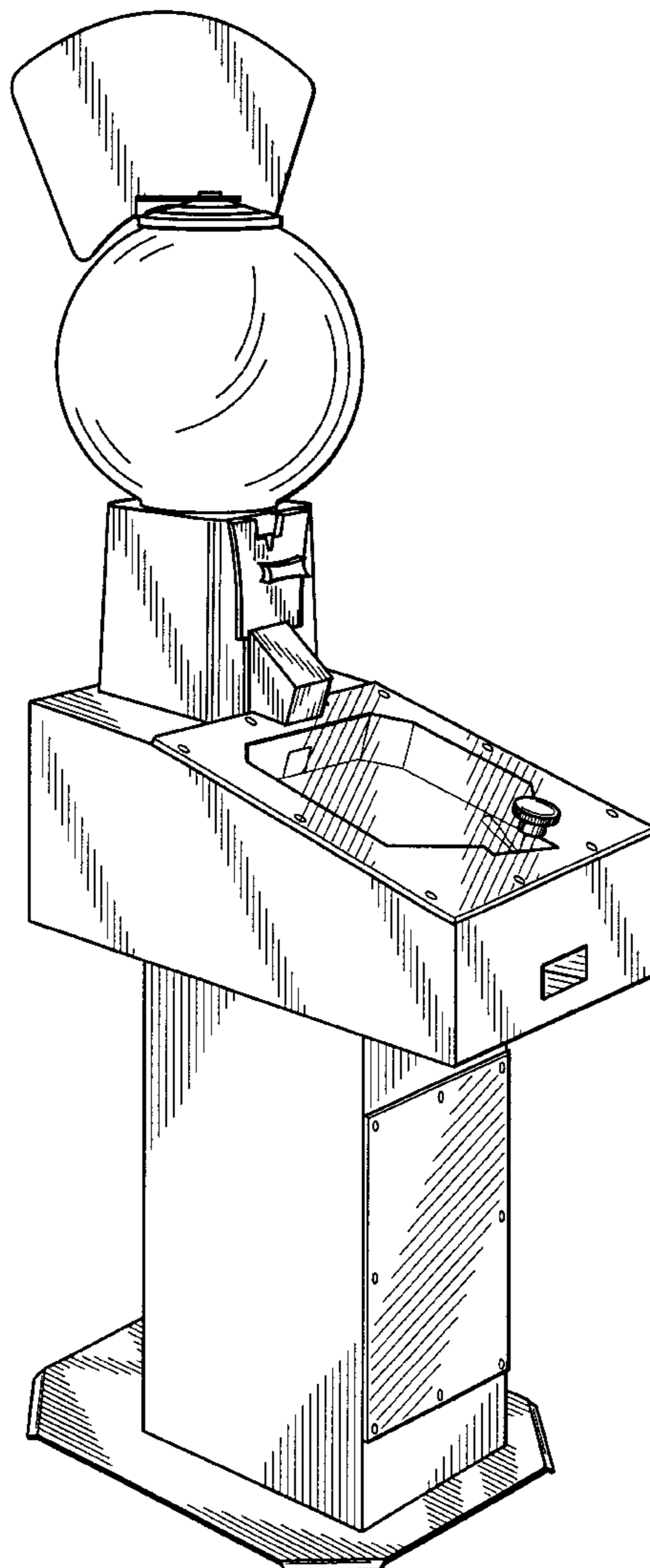
FIG. 1 is a front, top and right side perspective view of a vending machine embodying my new design;
FIG. 2 is a front elevational view thereof;
FIG. 3 is a rear elevational view thereof;
FIG. 4 is a right side elevational view thereof, the left side elevational view being a mirror image;
FIG. 5 is top plan view thereof; and,
FIG. 6 is a bottom plan view thereof.

(56) **References Cited**

U.S. PATENT DOCUMENTS

- D. 277,633 * 2/1985 McClellan D20/7 X
- D. 303,994 * 10/1989 Lee D20/7
- D. 387,386 * 12/1997 Tegtmeier et al. D20/7

1 Claim, 4 Drawing Sheets



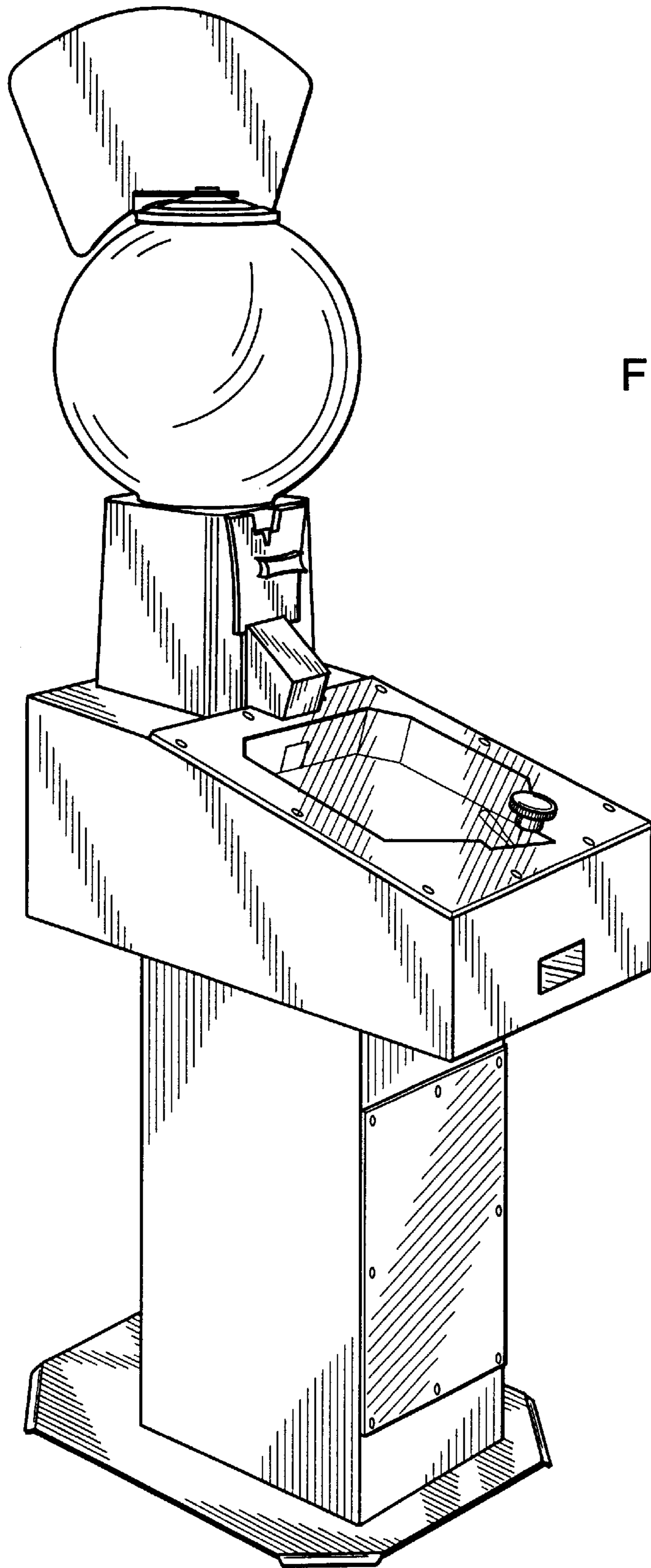


FIG. 1

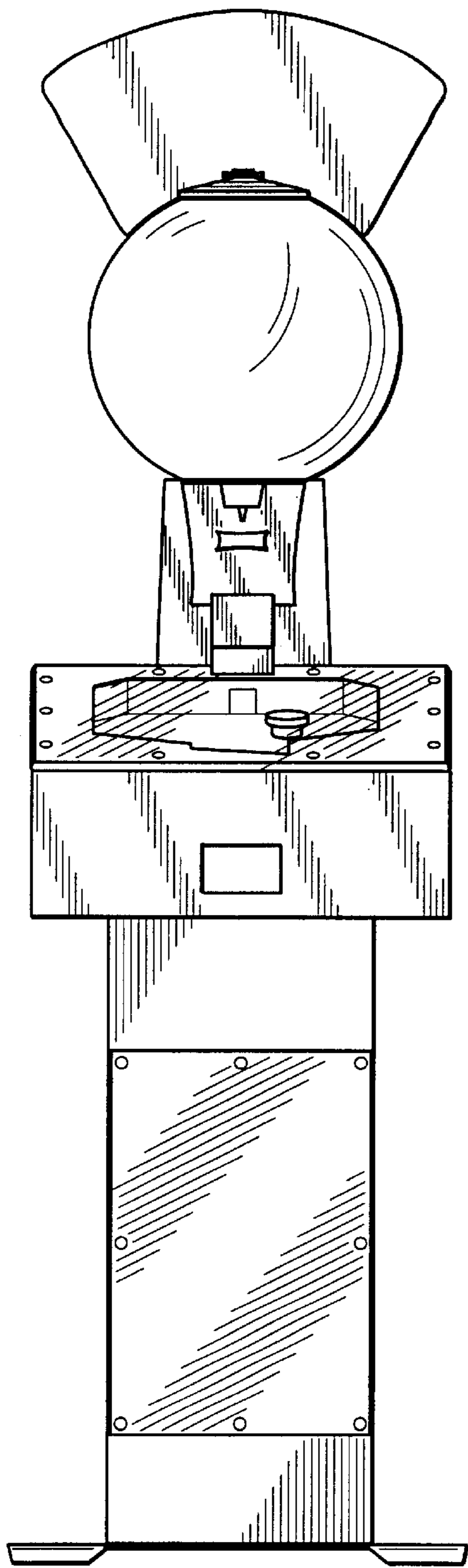


FIG. 2

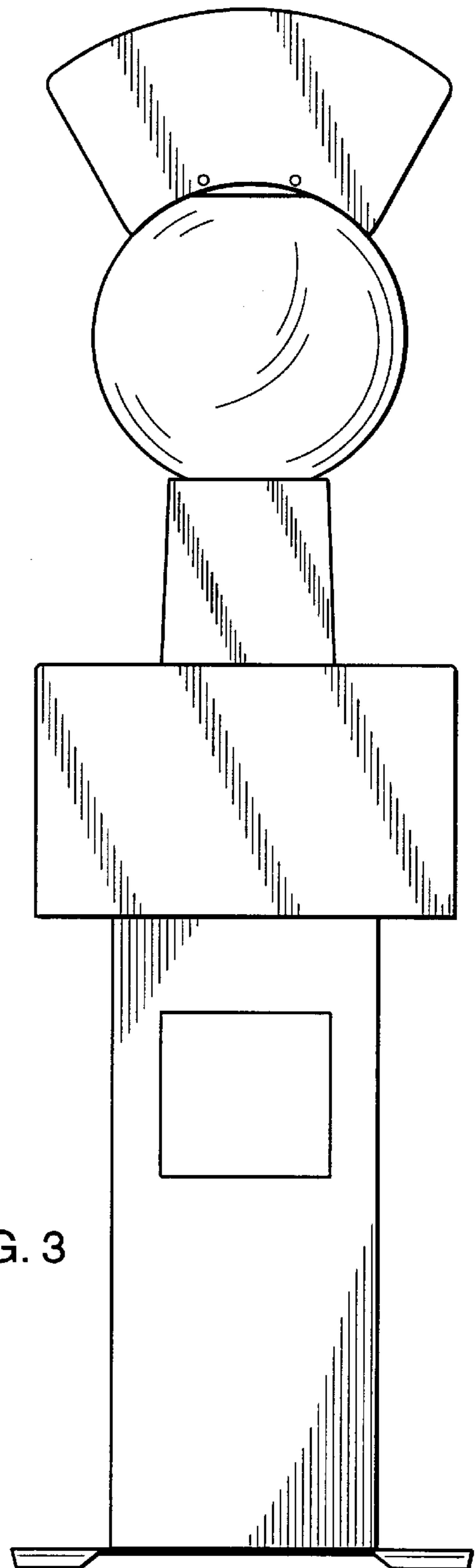


FIG. 3

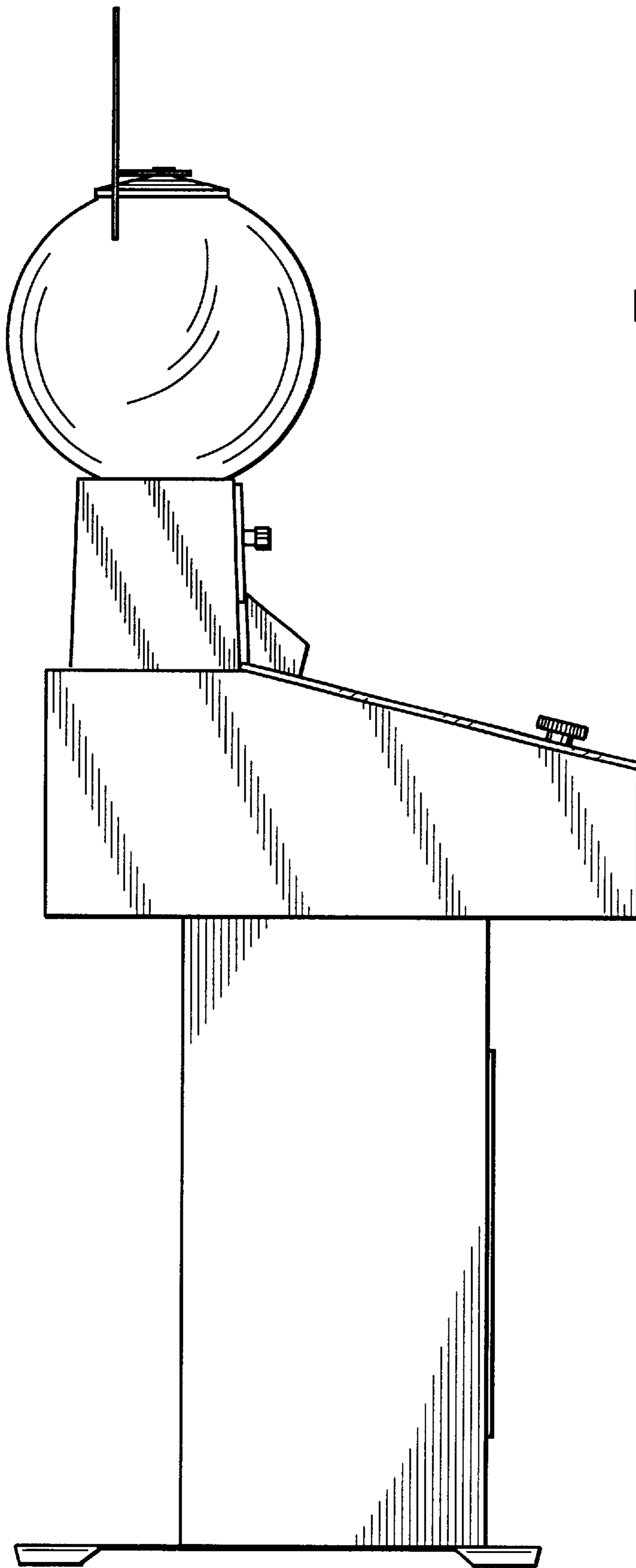


FIG. 4

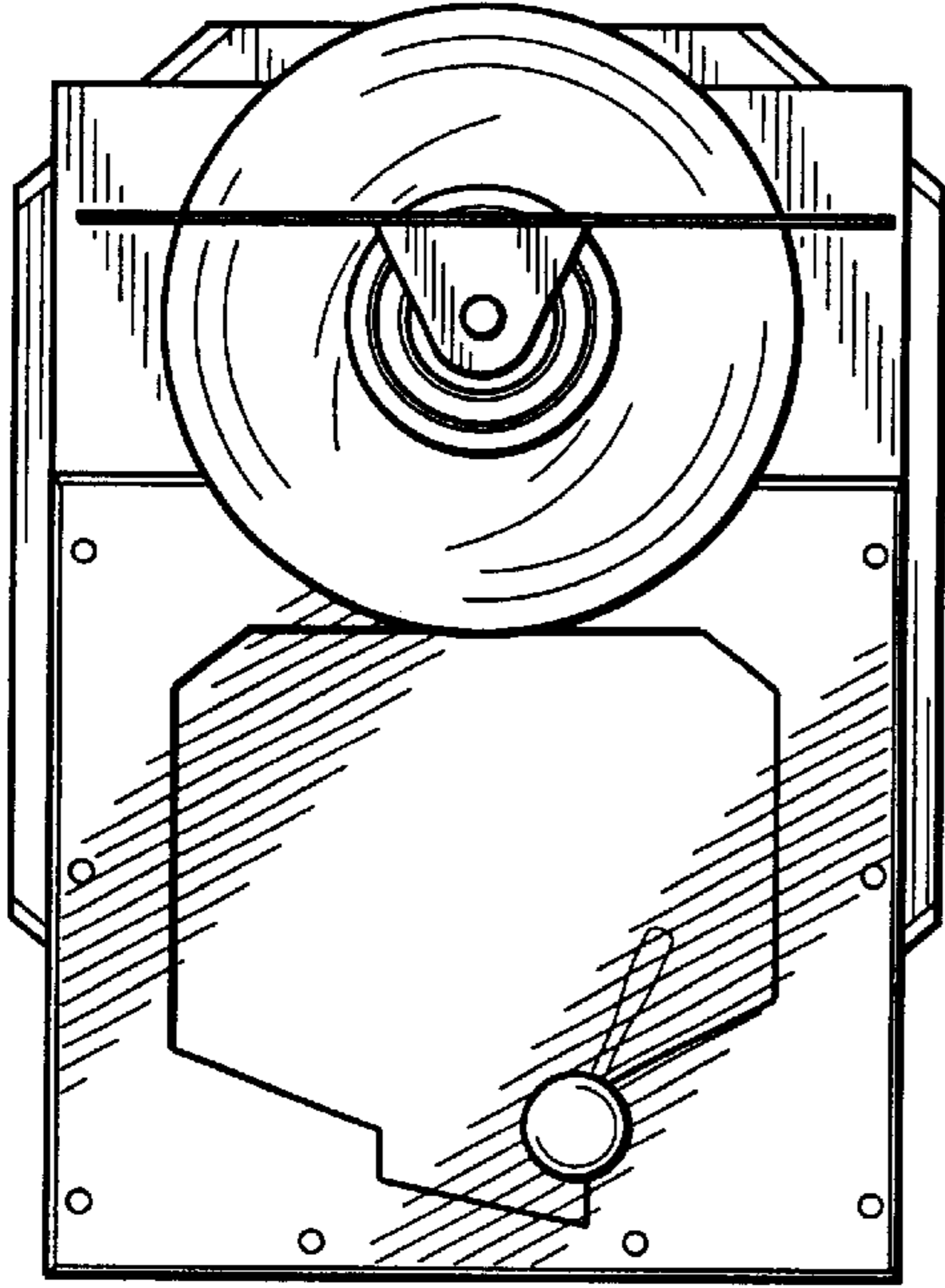


FIG. 5

FIG. 6

