



US00D446816B1

(12) **United States Design Patent**
Hsuan

(10) **Patent No.:** **US D446,816 S**

(45) **Date of Patent:** **** Aug. 21, 2001**

(54) **PUNCH**

(76) **Inventor:** **Yu-Hsun Hsuan**, 6F, No. 440-2, Gin Pin Road, Chong Ho City, Taipei Hsien (TW), 235

(**) **Term:** **14 Years**

(21) **Appl. No.:** **29/134,827**

(22) **Filed:** **Dec. 29, 2000**

(51) **LOC (7) Cl.** **19-02**

(52) **U.S. Cl.** **D19/72; D19/65**

(58) **Field of Search** D19/65, 72, 95, D19/99, 100; D8/49-51, 98, 105; D15/123, 128; 83/166, 167, 467.1, 559, 560, 582, 588, 613, 618, 663, 667, 669, 684; 30/358, 363

(56) **References Cited**

U.S. PATENT DOCUMENTS

- D. 132,970 * 7/1942 Budlong D19/72
- D. 144,601 * 4/1946 Yerkes D19/72
- D. 167,520 * 8/1952 Marano D19/72

- D. 167,521 * 8/1952 Marauo D19/72
- D. 193,231 * 7/1962 Klein D19/72
- D. 223,552 * 5/1972 Tanaka D19/72
- 1,650,019 * 11/1927 Kline 83/468
- 2,445,093 * 7/1948 Von Cseh 83/449
- 2,717,643 * 9/1955 Marano 83/588
- 4,466,322 * 8/1984 Mori 83/468

* cited by examiner

Primary Examiner—Martie K. Holtje

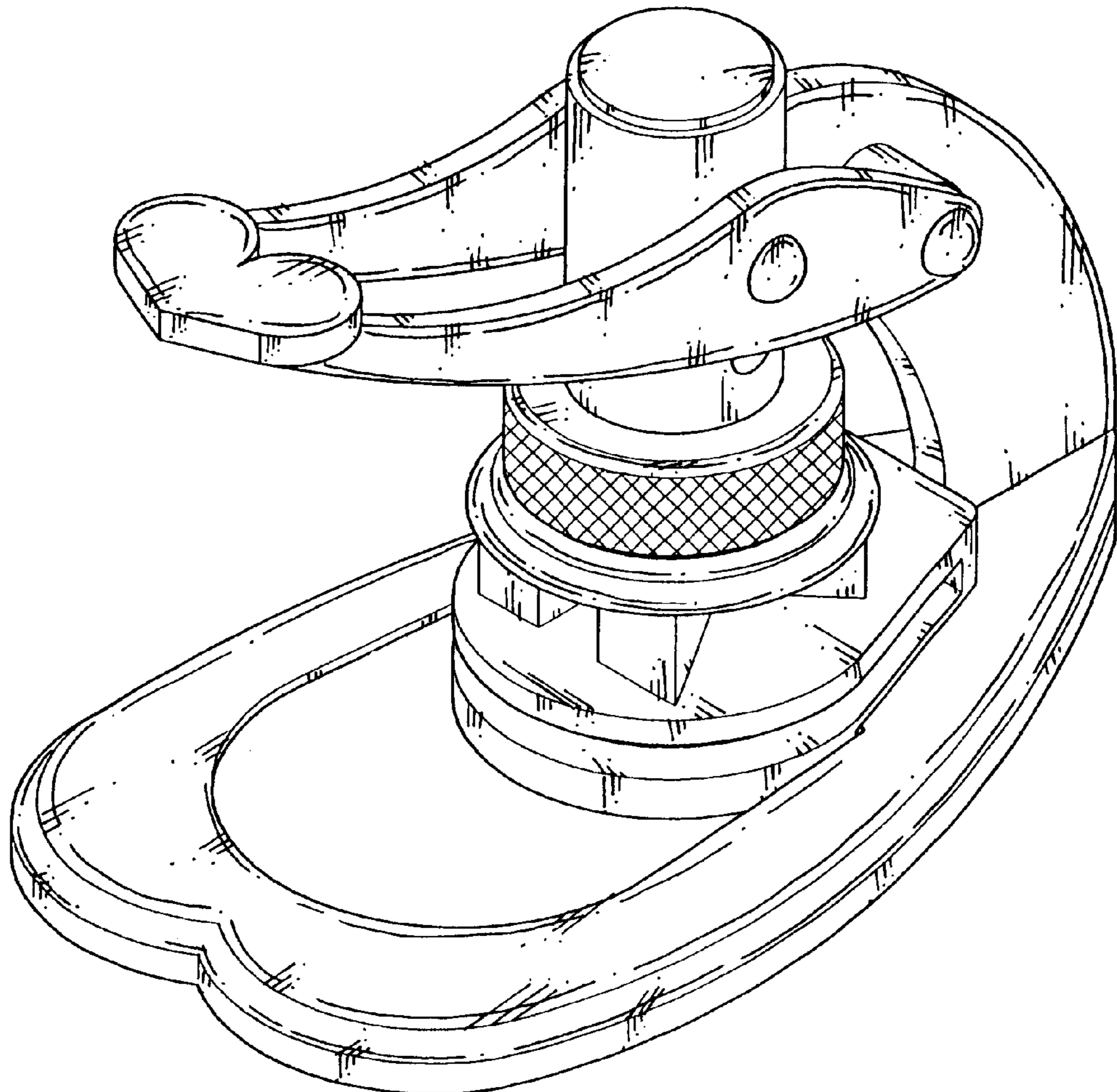
(57) **CLAIM**

The ornamental design for a punch, as shown and described.

DESCRIPTION

FIG. 1 is a perspective view of a punch showing my new design;
 FIG. 2 is a front elevational view thereof;
 FIG. 3 is a rear elevational view thereof;
 FIG. 4 is a top plan view thereof;
 FIG. 5 is a bottom plan view thereof;
 FIG. 6 is a left side elevational view thereof; and,
 FIG. 7 is a right side elevational view thereof.

1 Claim, 4 Drawing Sheets



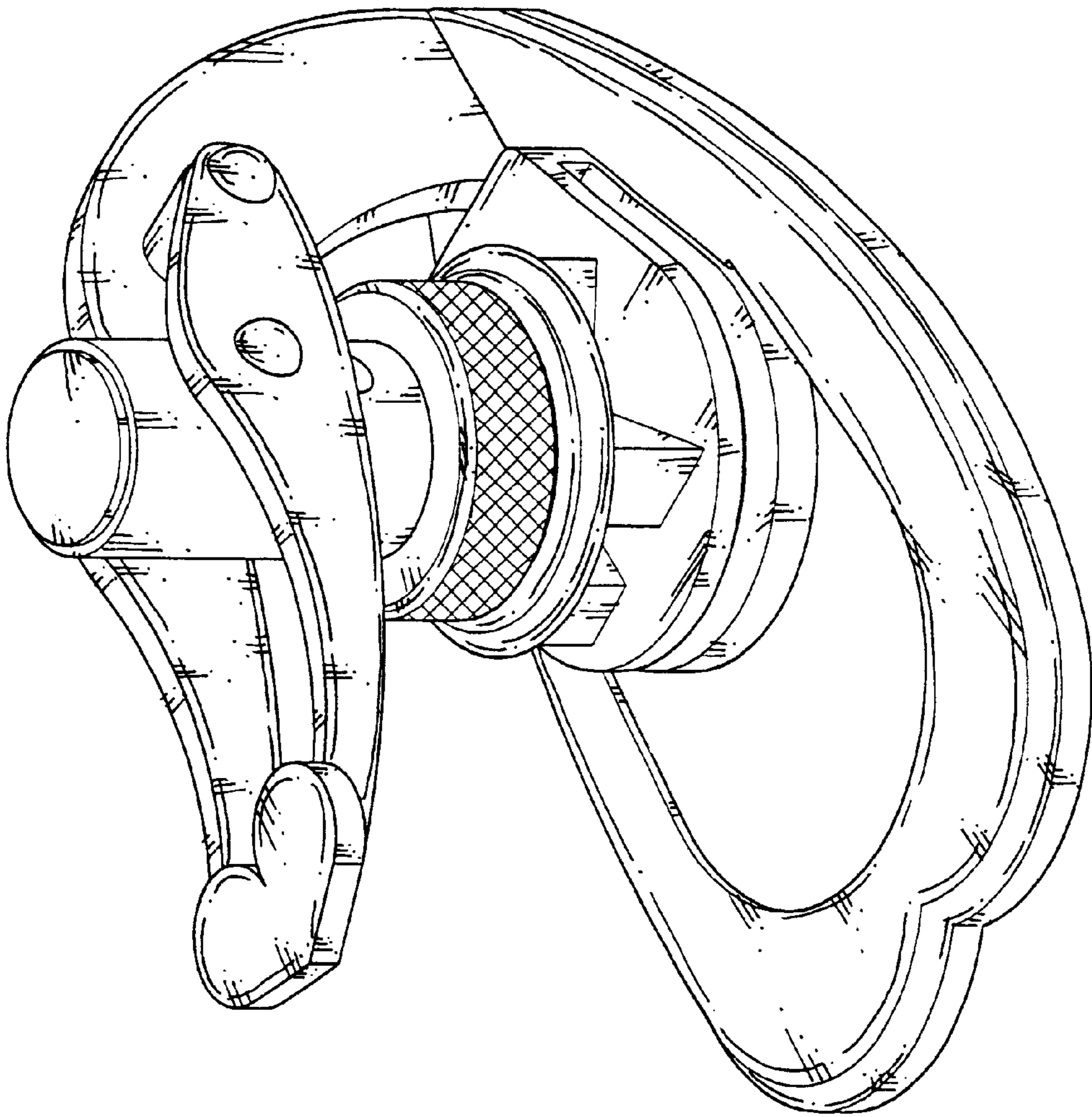


FIG. 1

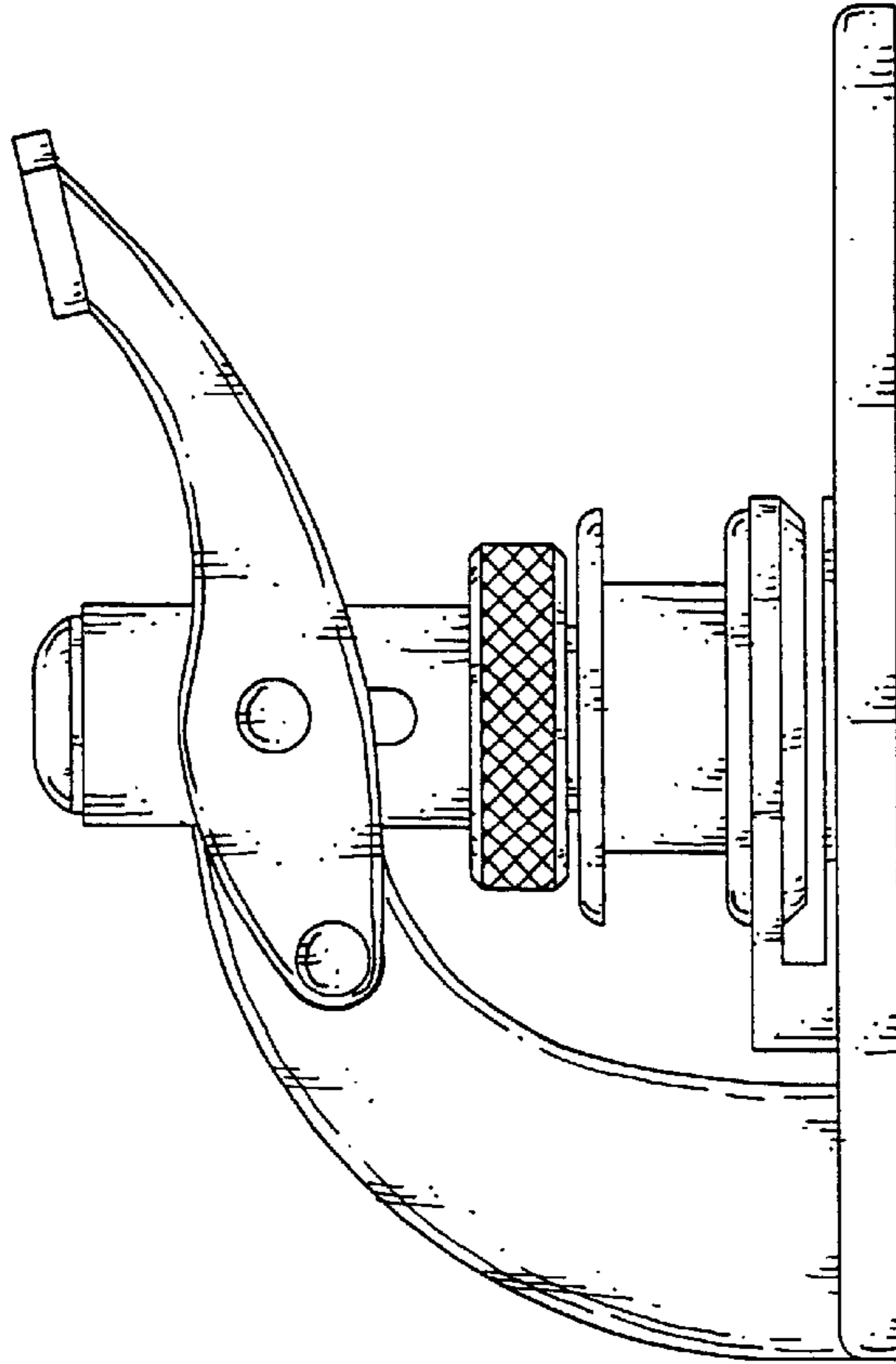


FIG. 3

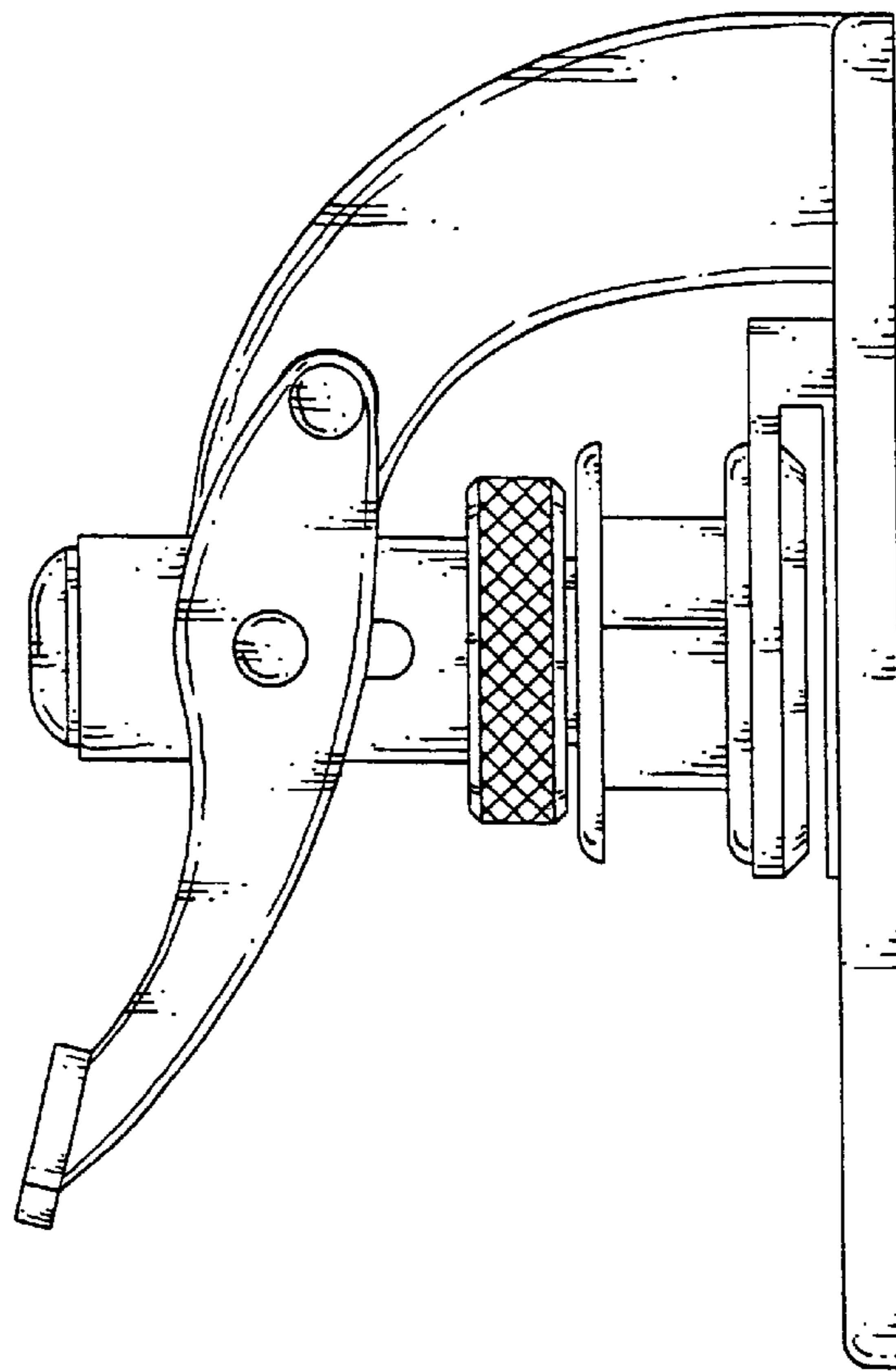


FIG. 2

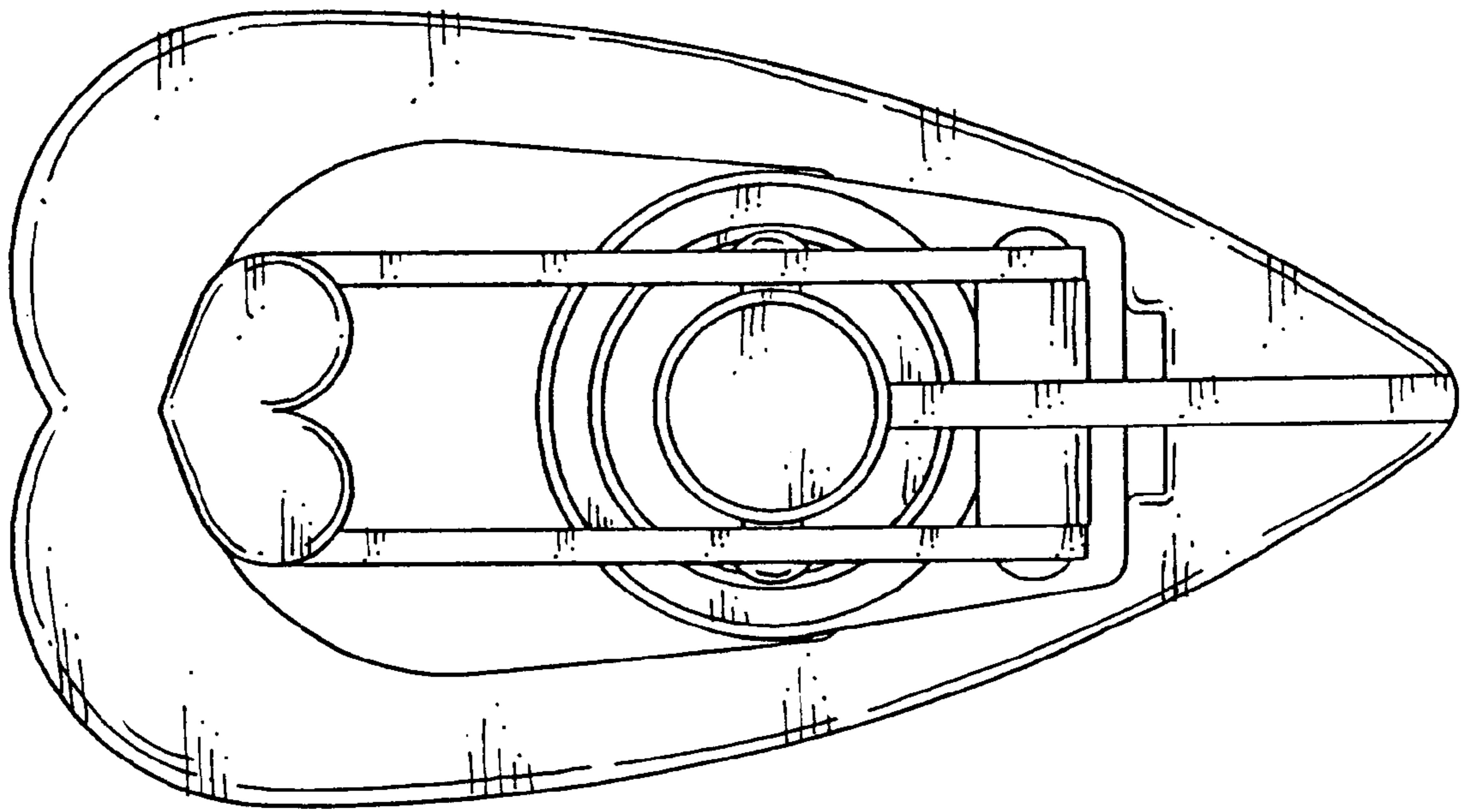


FIG. 4

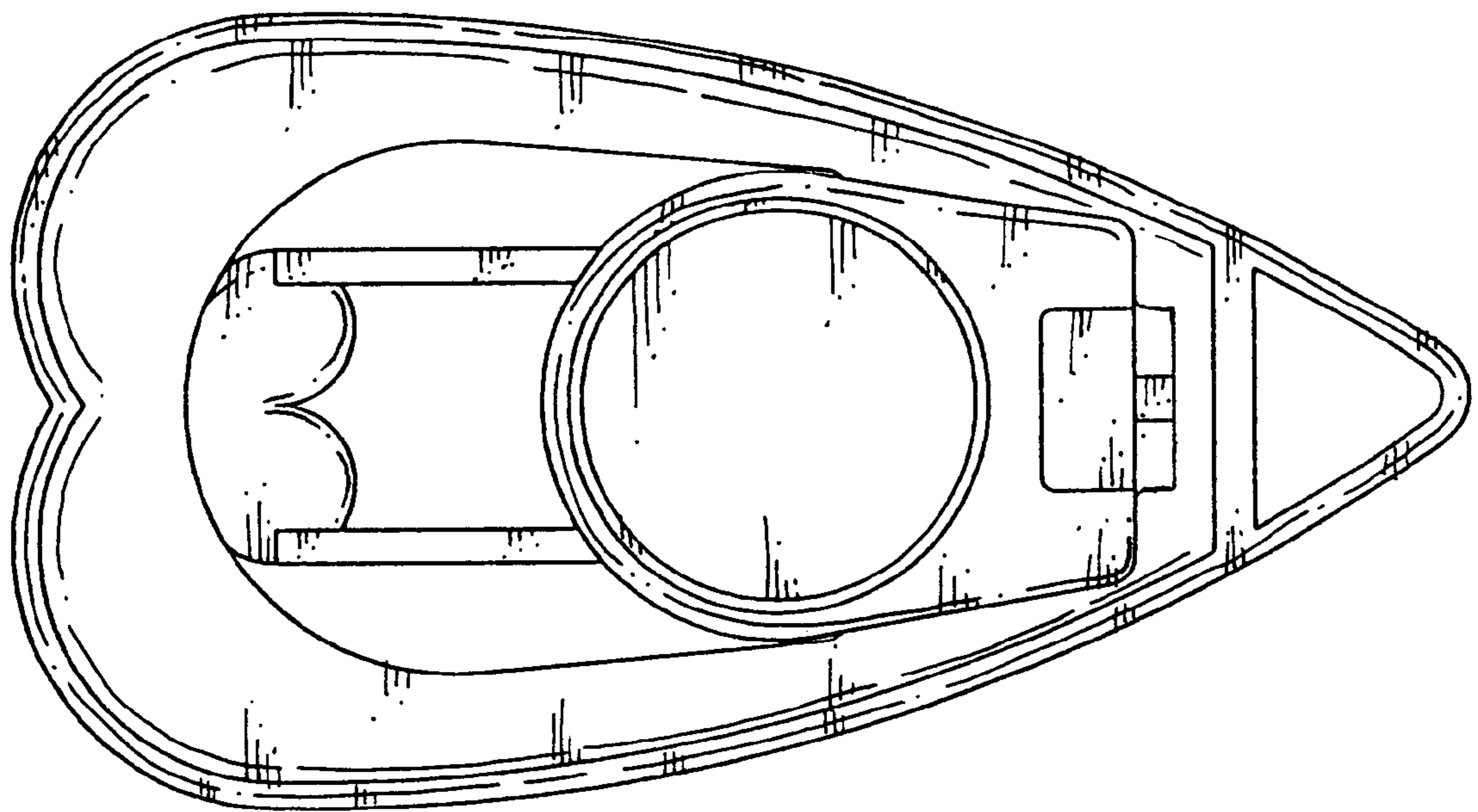


FIG. 5

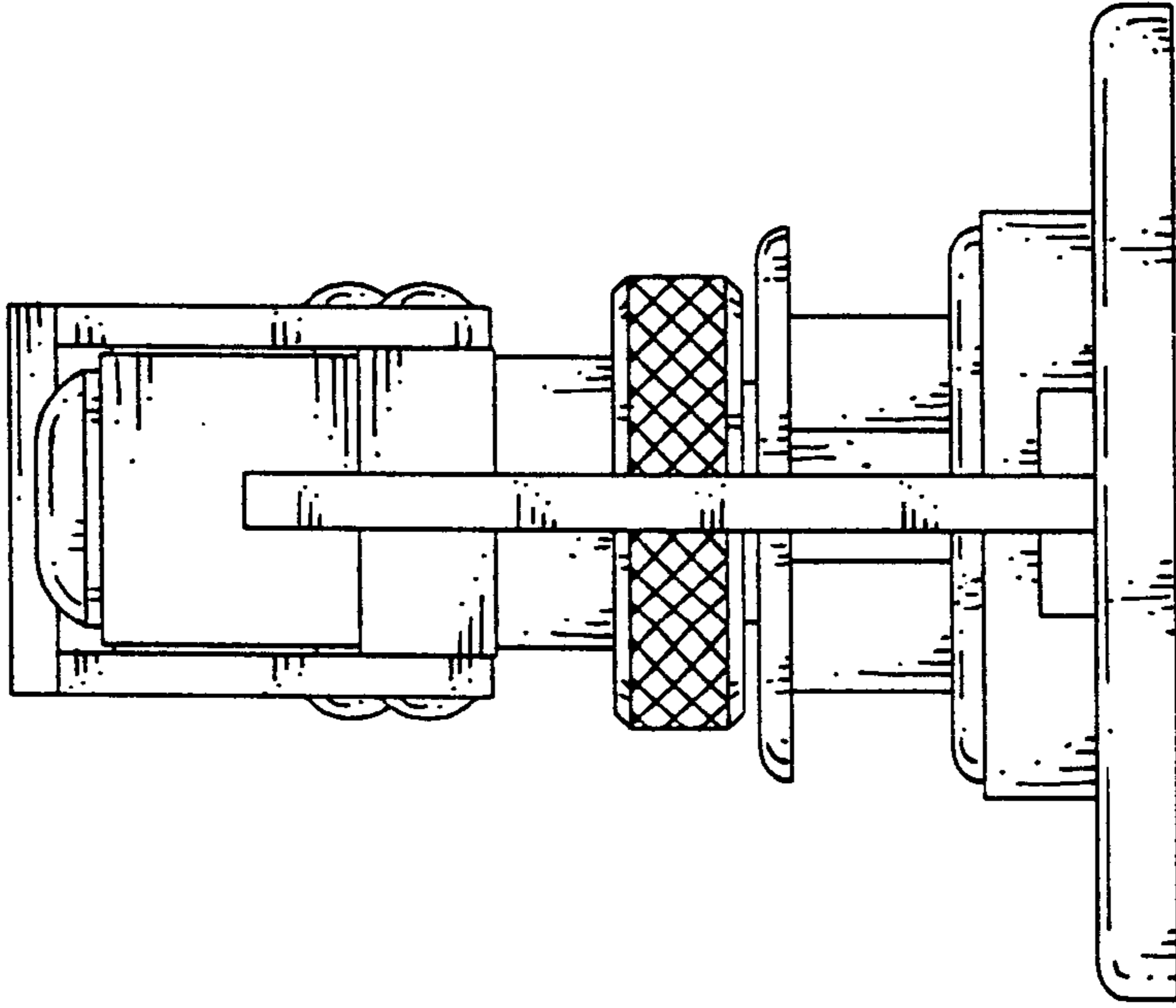


FIG. 7

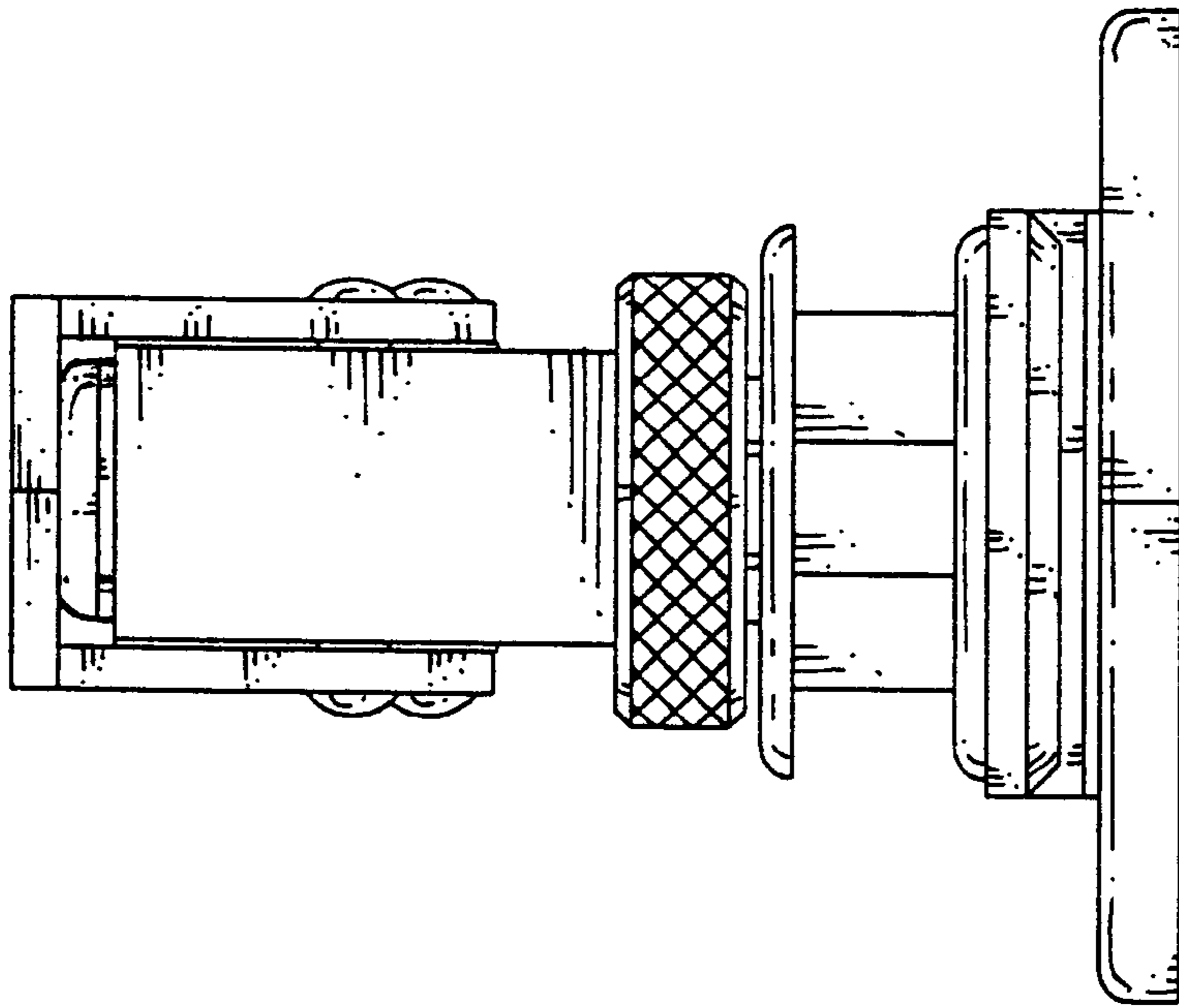


FIG. 6