



US00D446810B1

(12) **United States Design Patent**  
**Faulstich**

(10) **Patent No.:** **US D446,810 S**

(45) **Date of Patent:** **\*\* Aug. 21, 2001**

(54) **CD BINDER**

4,765,462 \* 8/1988 Rose, Jr. .... 206/760  
5,096,227 \* 3/1992 Pinkerton, Jr. .... 281/48  
5,678,943 \* 10/1997 Parsons ..... 402/79

(75) Inventor: **Kendall Peter Faulstich**, Portsmouth,  
NH (US)

\* cited by examiner

(73) Assignee: **Crawford, Industries LLC**,  
Crawfordsville, IN (US)

*Primary Examiner*—Celia Murphy

(74) *Attorney, Agent, or Firm*—Katten Muchin Zavis

(\*\*) Term: **14 Years**

(57) **CLAIM**

(21) Appl. No.: **29/133,333**

I claim the ornamental design for a CD binder, as shown and described.

(22) Filed: **Nov. 27, 2000**

**DESCRIPTION**

(51) **LOC (7) Cl.** ..... **19-04**

(52) **U.S. Cl.** ..... **D19/27; D6/407; D6/626;**  
**D6/629; D6/634; D6/635; D19/32; D19/33**

(58) **Field of Search** ..... **D6/407, 626, 629,**  
**D6/634, 635, 636; D19/26, 27, 32, 33,**  
**75, 87; 206/760; 402/75, 79; 281/48**

FIG. 1 is a perspective view of a CD binder showing my new design in an open condition; the broken outline of a CD holding leaf (in FIGS. 1, 2, and 4-9) is understood to illustrate environmental subject matter, and forms no part of the claimed design;

FIG. 2 is a top view of the CD binder illustrated in FIG. 1. FIG. 3 is a bottom view of the CD binder illustrated in FIG. 1.

FIG. 4 is a left elevational view of the CD binder illustrated in FIG. 2.

FIG. 5 is a right elevational view of the CD binder illustrated in FIG. 2.

FIG. 6 is a rear elevational view of the CD binder illustrated in FIG. 2.

FIG. 7 is a front elevational view of the CD binder illustrated in FIG. 2.

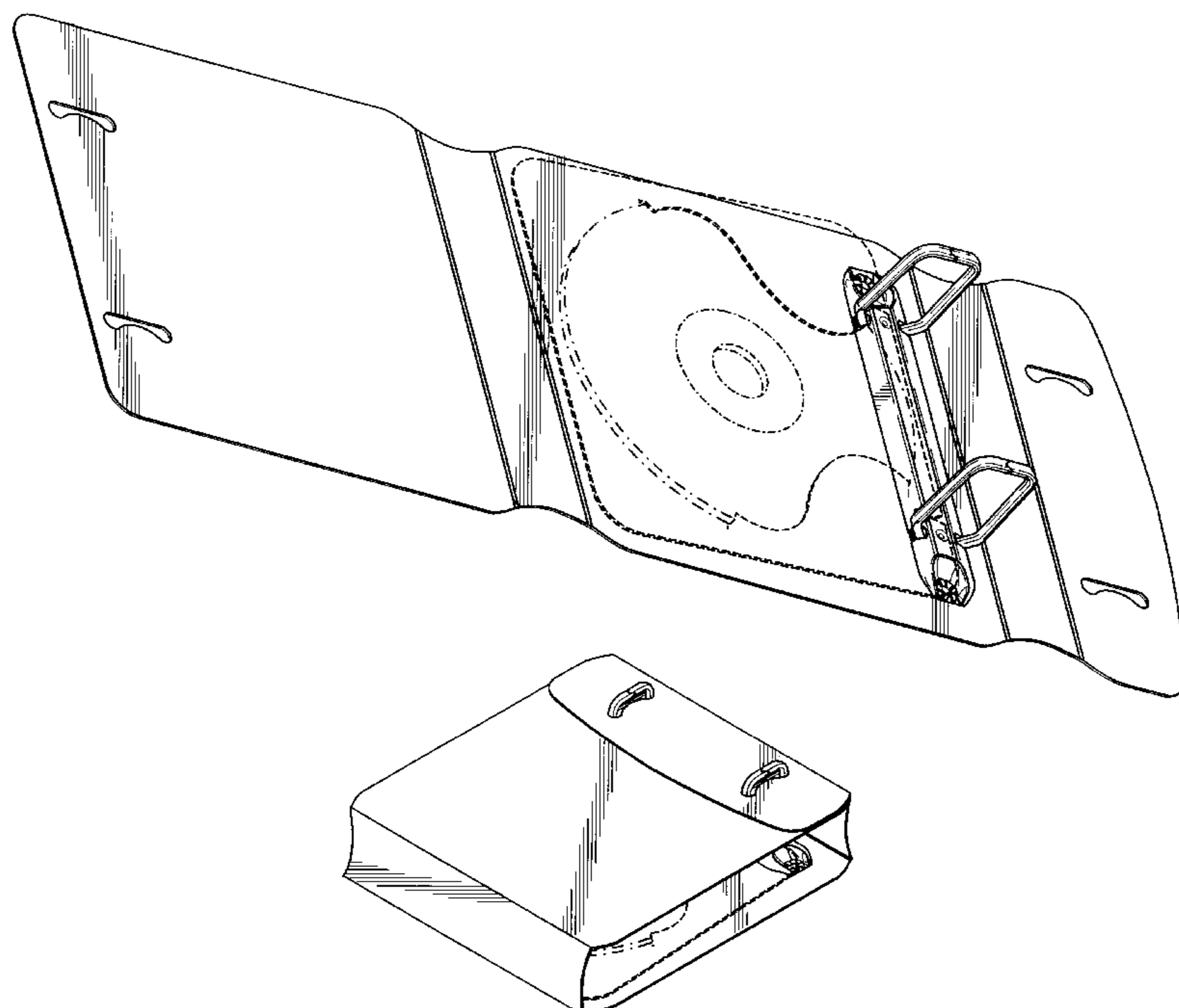
FIG. 8 is a perspective view of the CD binder illustrated in FIG. 2 shown with one of the flaps in a closed position; and, FIG. 9 is a perspective view of the CD binder illustrated in FIG. 2 shown with a second flap in a closed position.

(56) **References Cited**

**U.S. PATENT DOCUMENTS**

D. 273,796	*	5/1984	Milden	.....	D19/27
D. 308,913	*	7/1990	Kirchner	.....	D6/634
D. 338,455	*	8/1993	Suge	.....	D14/106
D. 346,403	*	4/1994	Ros	.....	D19/75
D. 346,404	*	4/1994	Ros	.....	D19/75
D. 346,825	*	5/1994	Ros	.....	D19/75
D. 347,728	*	6/1994	Taniyama	.....	D6/634
D. 383,493	*	9/1997	Sales	.....	D19/27
D. 389,187	*	1/1998	Gillespie	.....	D19/87
D. 392,998	*	3/1998	Chan	.....	D19/32
D. 406,719	*	3/1999	Clausen	.....	D6/634
D. 434,938	*	12/2000	Hillman	.....	D6/633
4,518,275	*	5/1985	Rauch, III et al.	.	
4,750,884	*	6/1988	Bourgeois et al.	.....	402/75

**1 Claim, 4 Drawing Sheets**



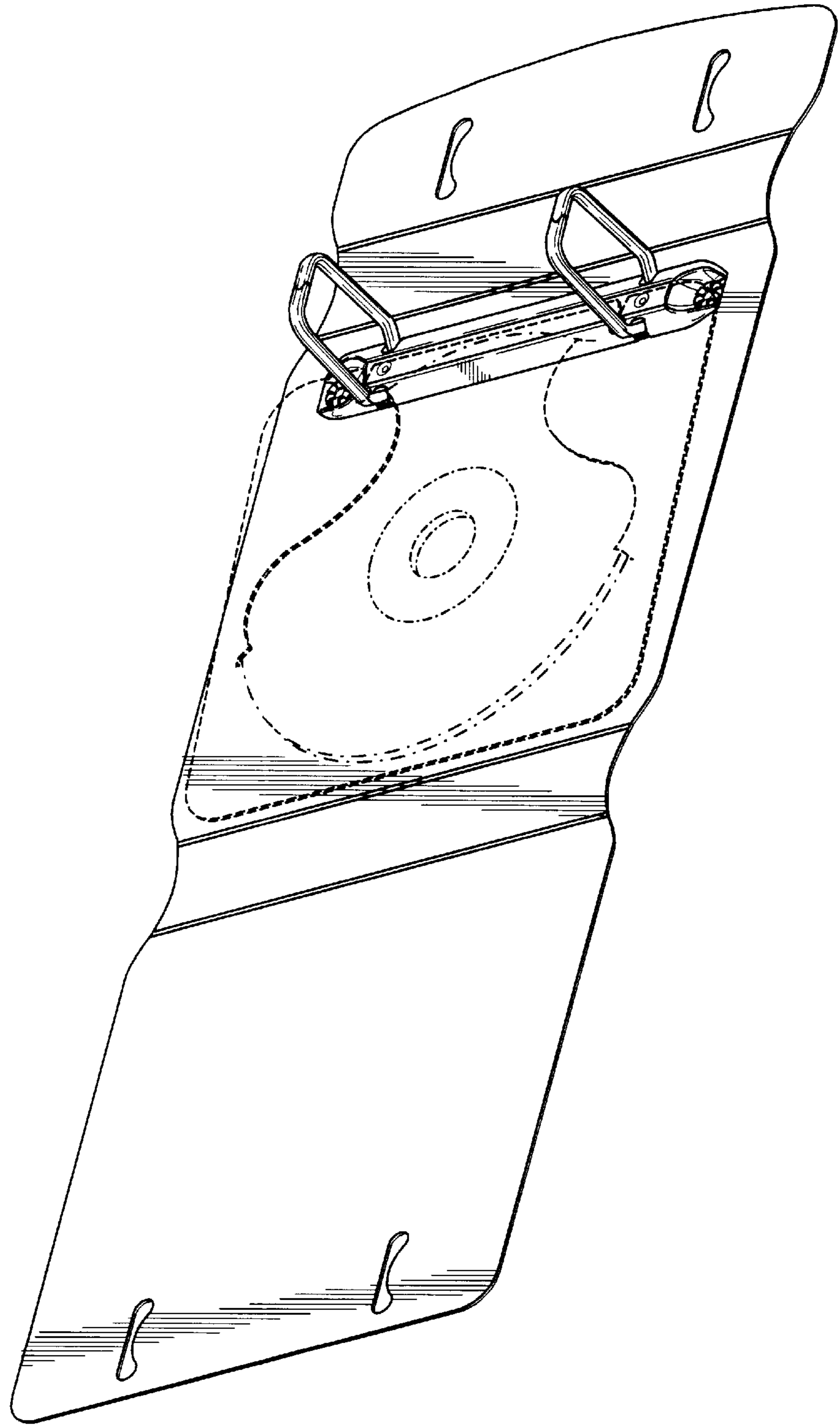


Fig. 1

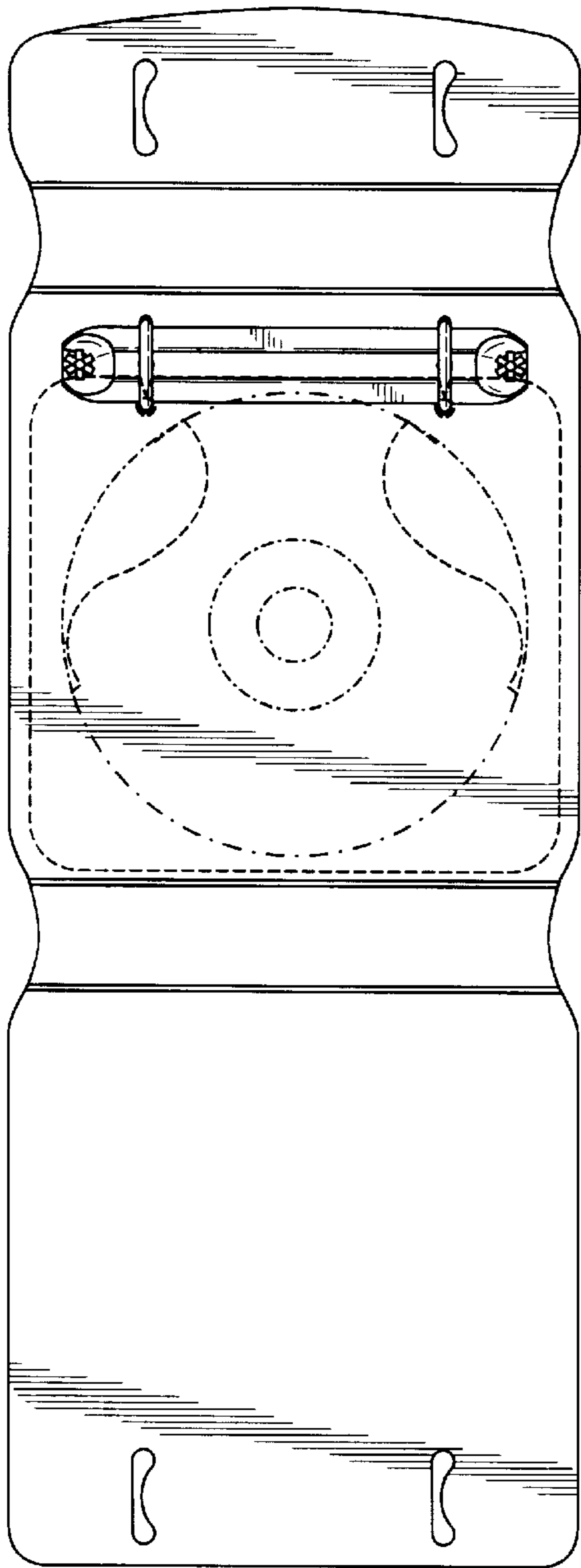


Fig. 2

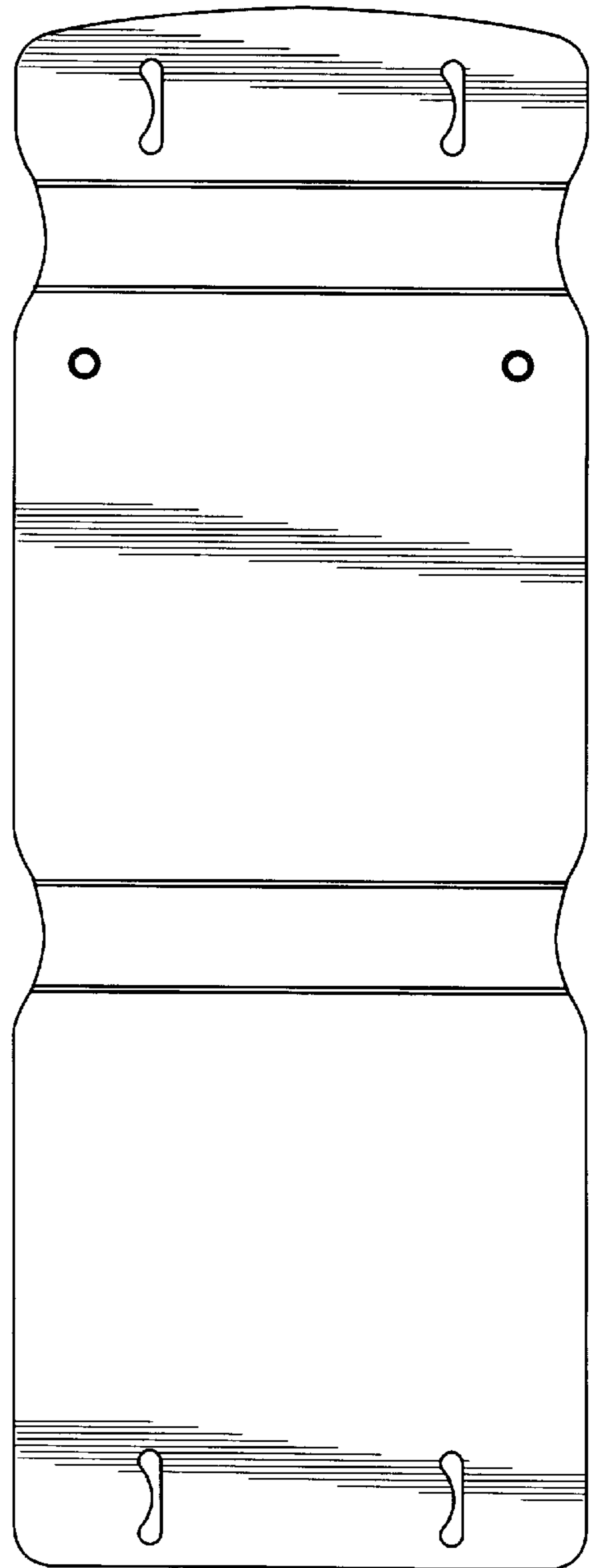


Fig. 3

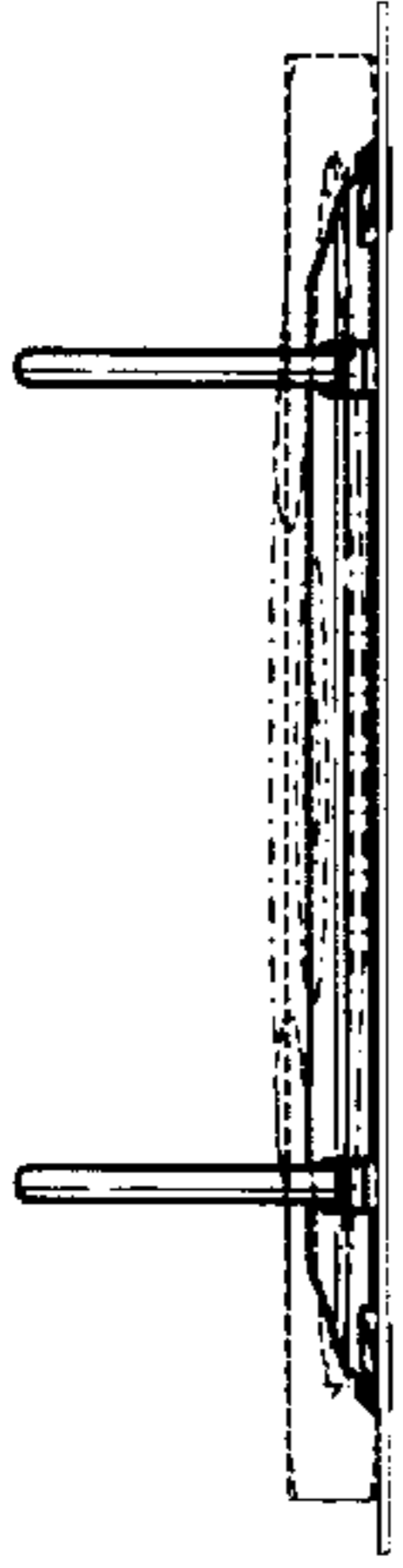


Fig. 4

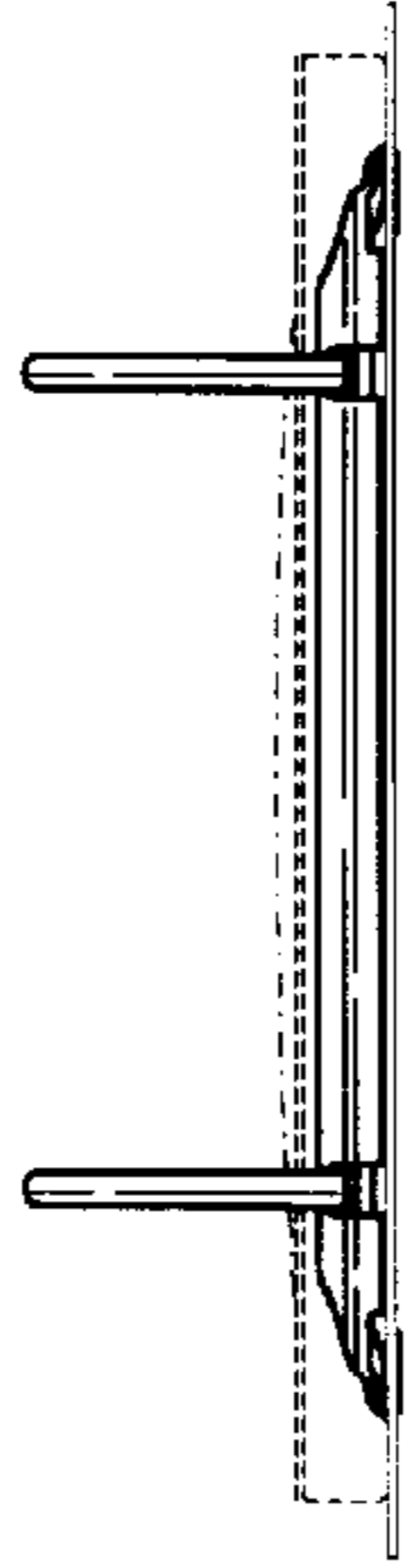


Fig. 5

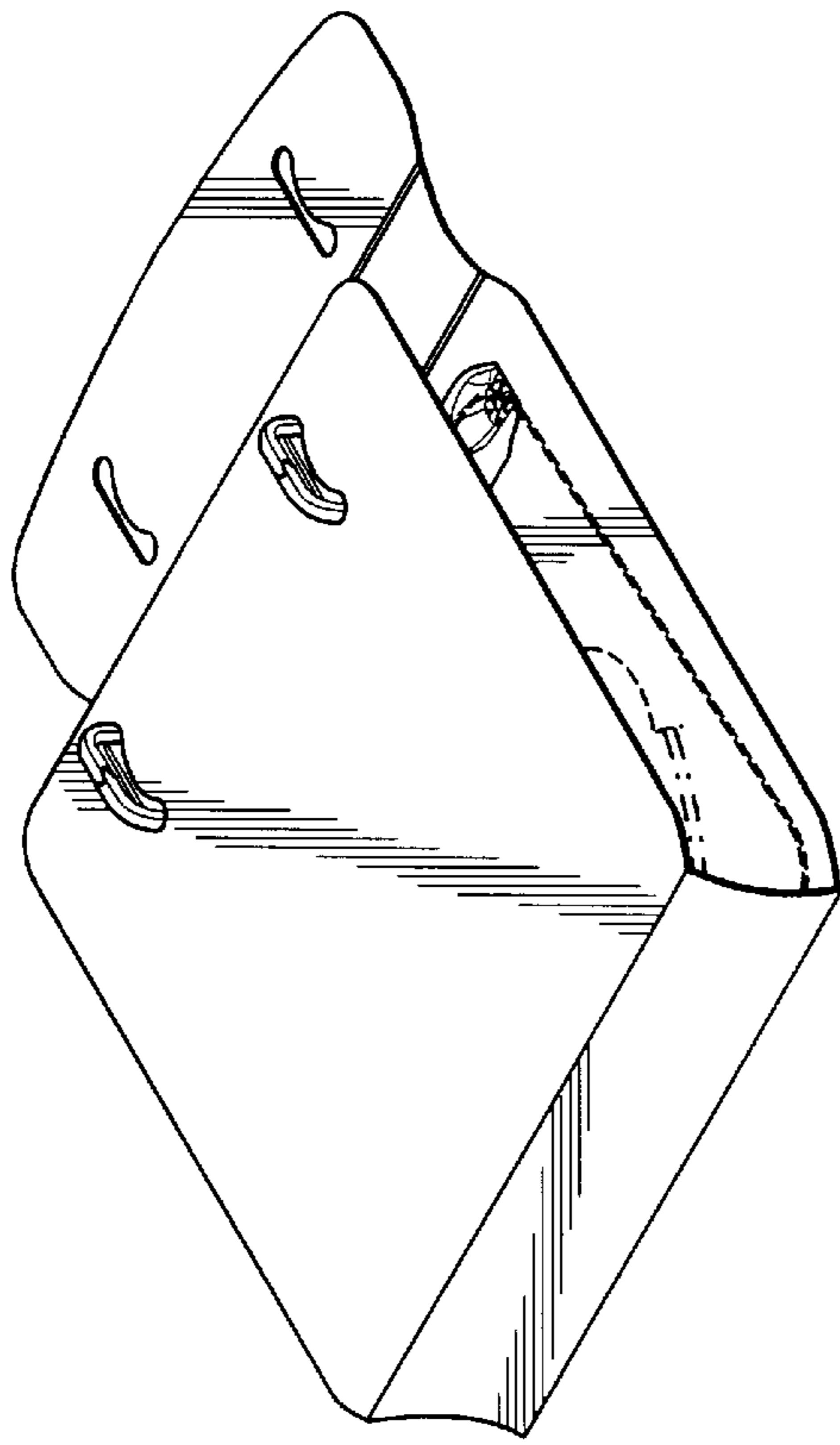


Fig. 6



Fig. 7

*Fig. 8*



*Fig. 9*

