



US00D446808B1

(12) **United States Design Patent**  
**Ono et al.**

(10) **Patent No.:** **US D446,808 S**

(45) **Date of Patent:** **\*\* Aug. 21, 2001**

(54) **TONER CARTRIDGE FOR AN ELECTRONIC  
COPYING MACHINE**

D. 359,069 \* 6/1995 Komaki et al. .... D18/43  
D. 365,845 \* 1/1996 Yasuda et al. .... D18/43  
D. 400,570 \* 11/1998 Konuma et al. .... D18/40

(75) Inventors: **Noriki Ono**, Higashiyamoto; **Moriyuki  
Kouroku**, Higashimurayama; **Kouichi  
Kamei**, Hino, all of (JP)

\* cited by examiner

*Primary Examiner*—Caron D. Veynar

(73) Assignees: **Casio Computer Co., Ltd.**; **Casio  
Electronics Manufacturing Co., Ltd.**,  
both of Tokyo (JP)

(74) *Attorney, Agent, or Firm*—Frishauf, Holtz, Goodman,  
Langer & Chick, P.C.

(\*\*) Term: **14 Years**

(57) **CLAIM**

The ornamental design for a toner cartridge for an electronic  
copying machine, as shown.

(21) Appl. No.: **29/132,765**

**DESCRIPTION**

(22) Filed: **Nov. 15, 2000**

FIG. 1 is a front, bottom and left side perspective view of a  
toner cartridge for an electronic copying machine, showing  
our new design;

(51) **LOC (7) Cl.** ..... **16-03**

(52) **U.S. Cl.** ..... **D18/43**

FIG. 2 is a front, bottom and right side perspective view  
thereof;

(58) **Field of Search** ..... D18/40, 43, 56;  
399/24-27, 31, 119-123, 130, 134, 262;  
222/DIG. 1

FIG. 3 is a front elevational view thereof;

FIG. 4 is a rear elevational view thereof;

FIG. 5 is a top plan view thereof;

FIG. 6 is a bottom plan view thereof;

FIG. 7 is a right side elevational view thereof; and,

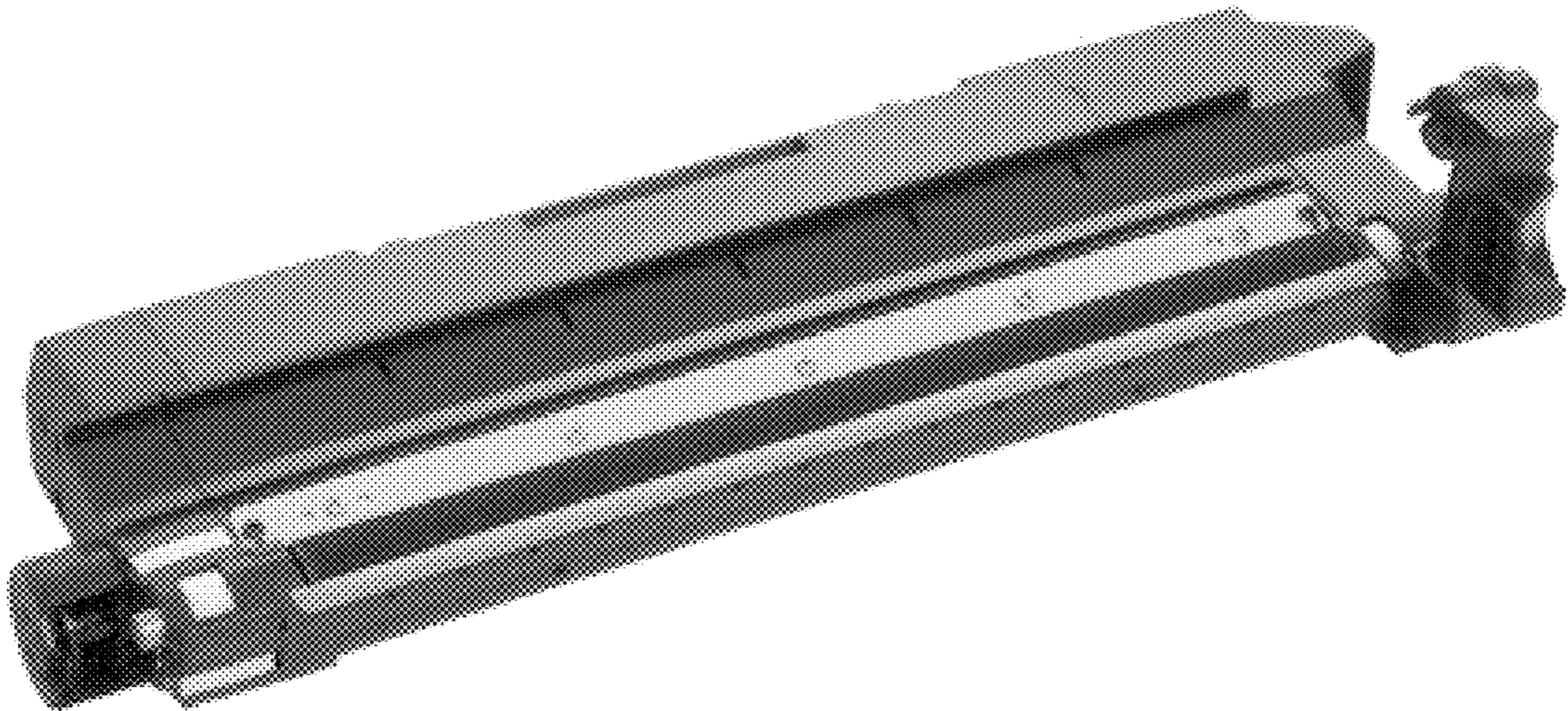
FIG. 8 is a left side elevational view thereof.

(56) **References Cited**

**U.S. PATENT DOCUMENTS**

D. 358,164 \* 5/1995 Hashizume et al. .... D18/43  
D. 359,067 \* 6/1995 Komaki et al. .... D18/43

**1 Claim, 2 Drawing Sheets**



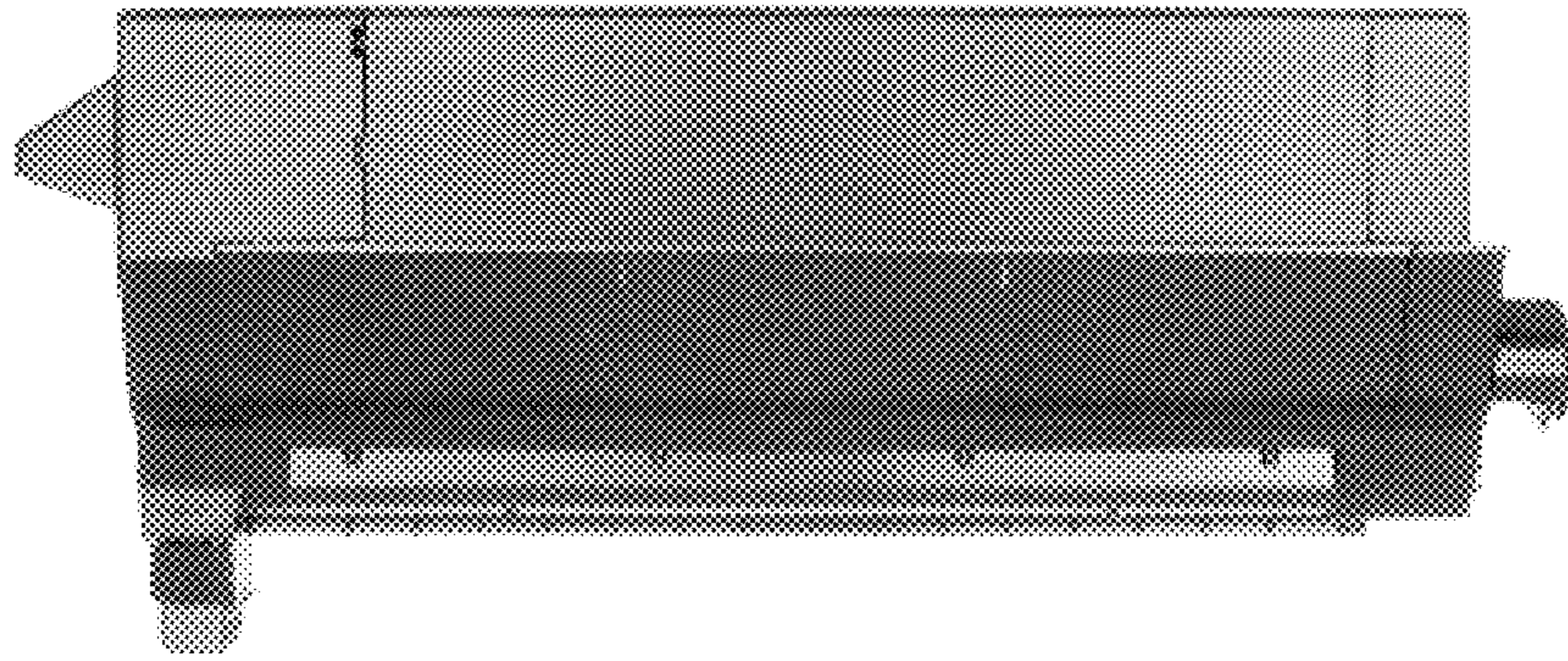


FIG. 4

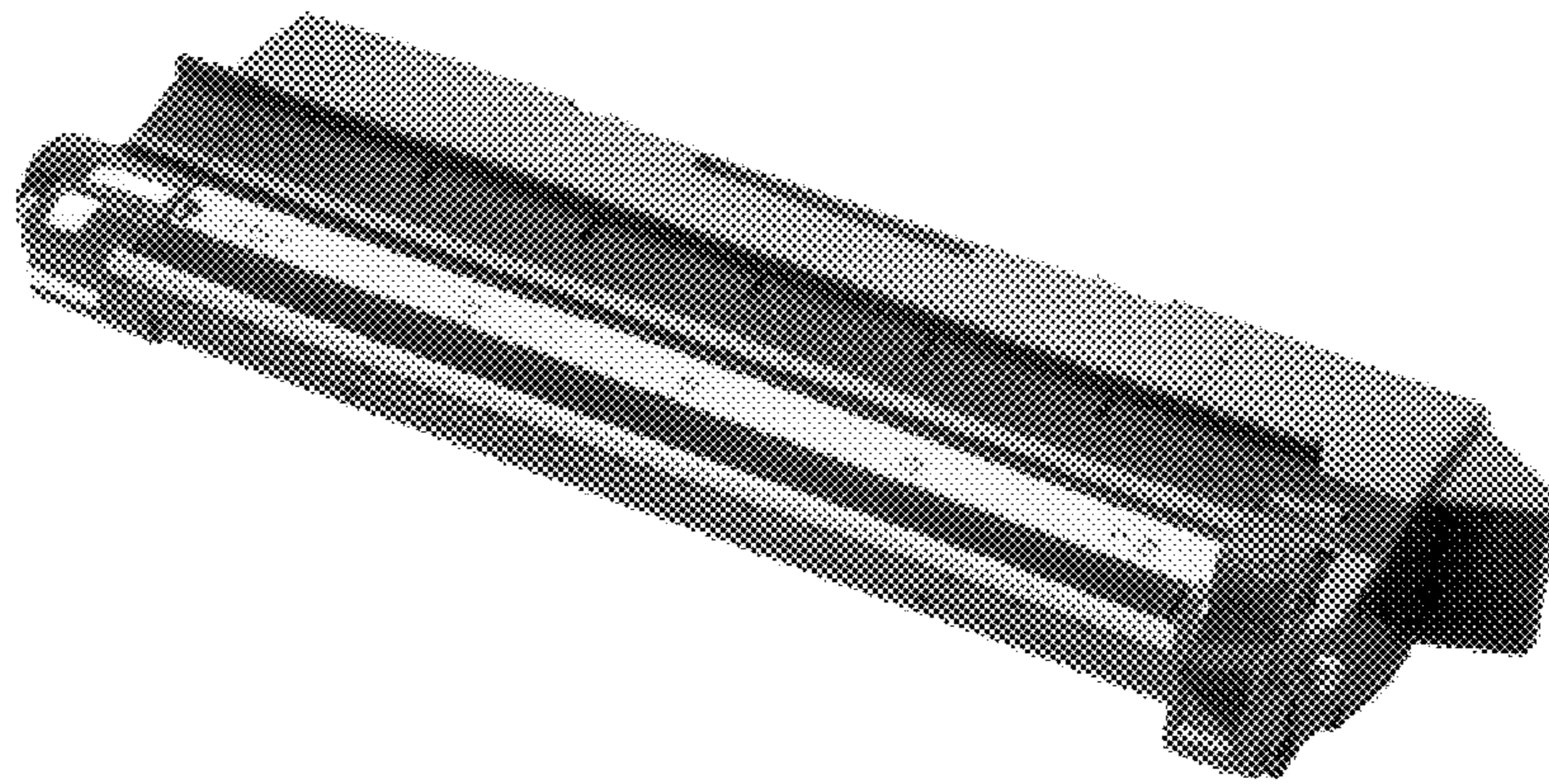


FIG. 2

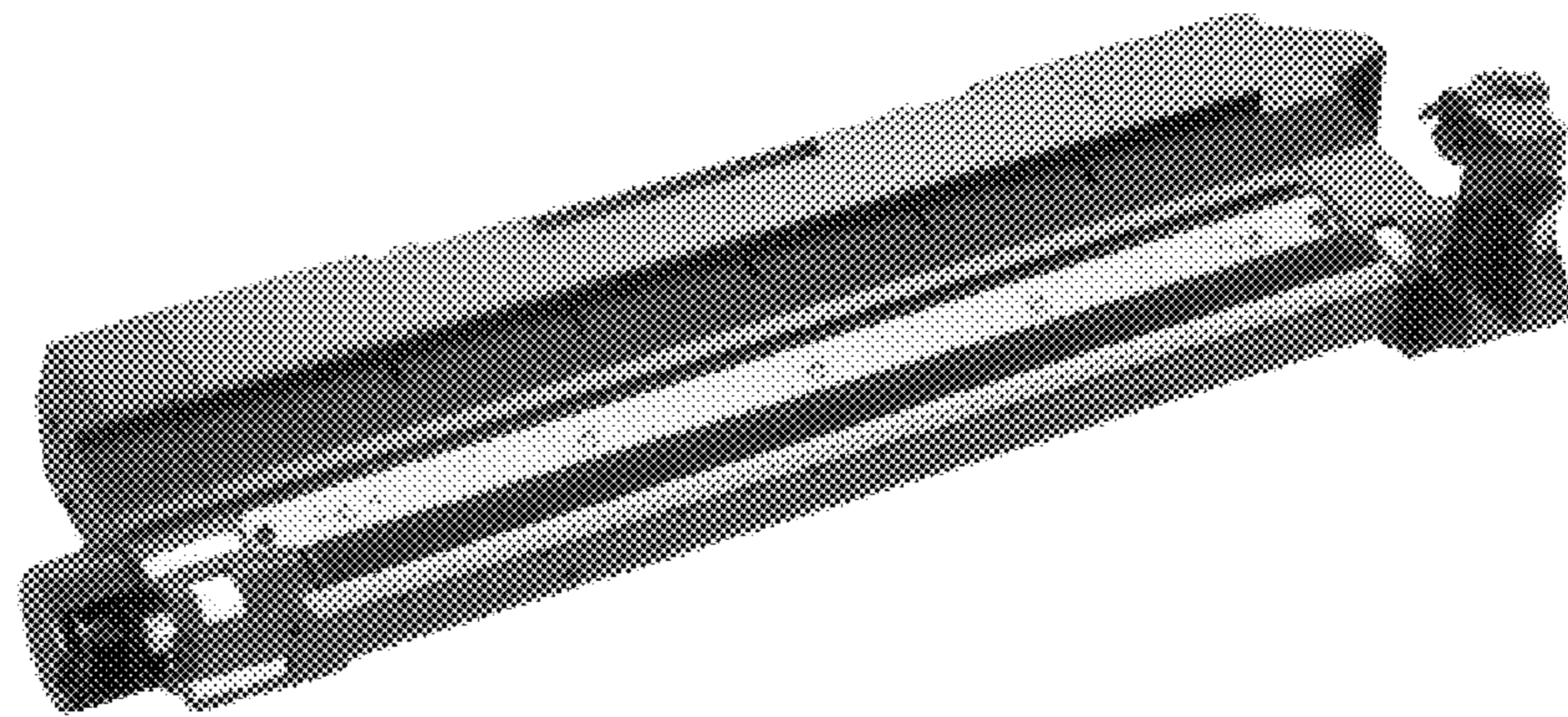


FIG. 1

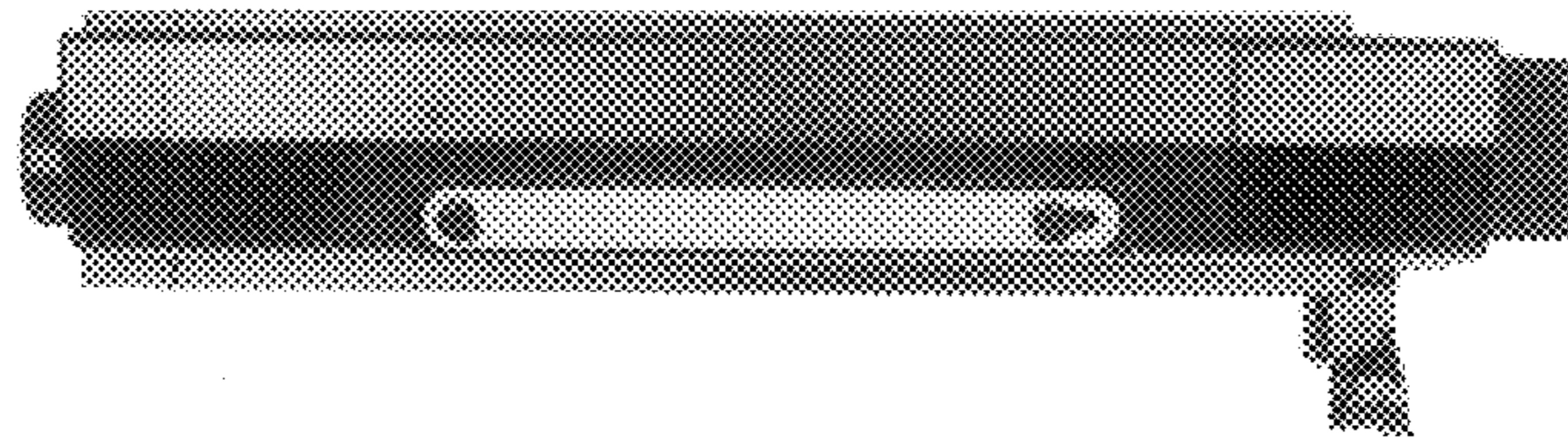


FIG. 5

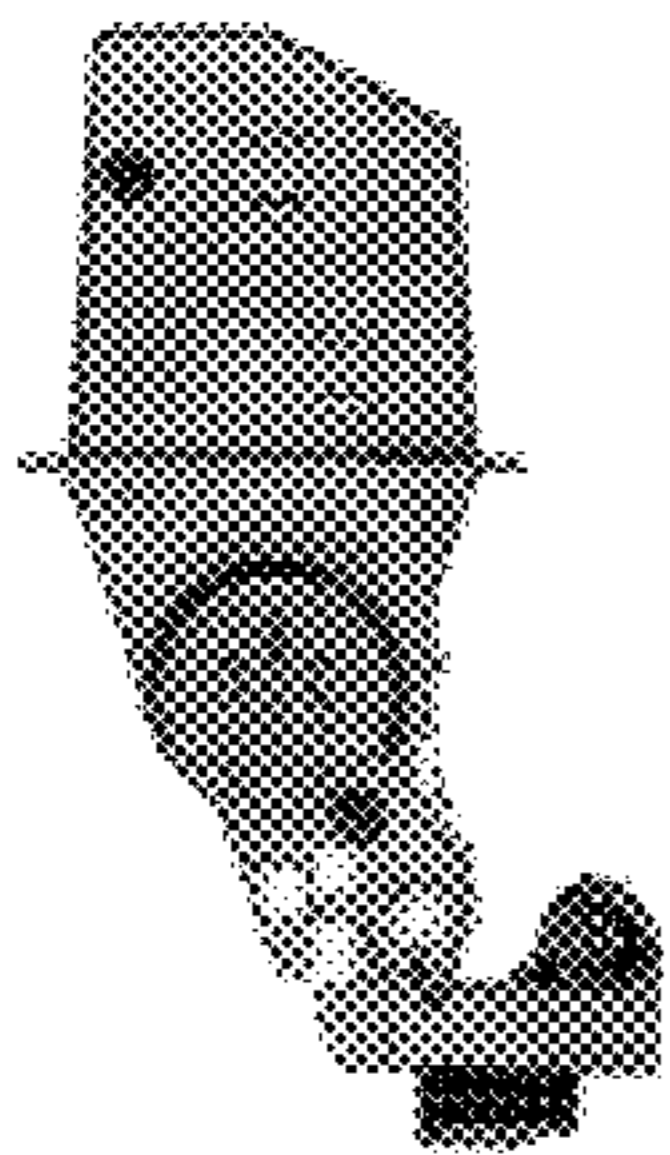


FIG. 8

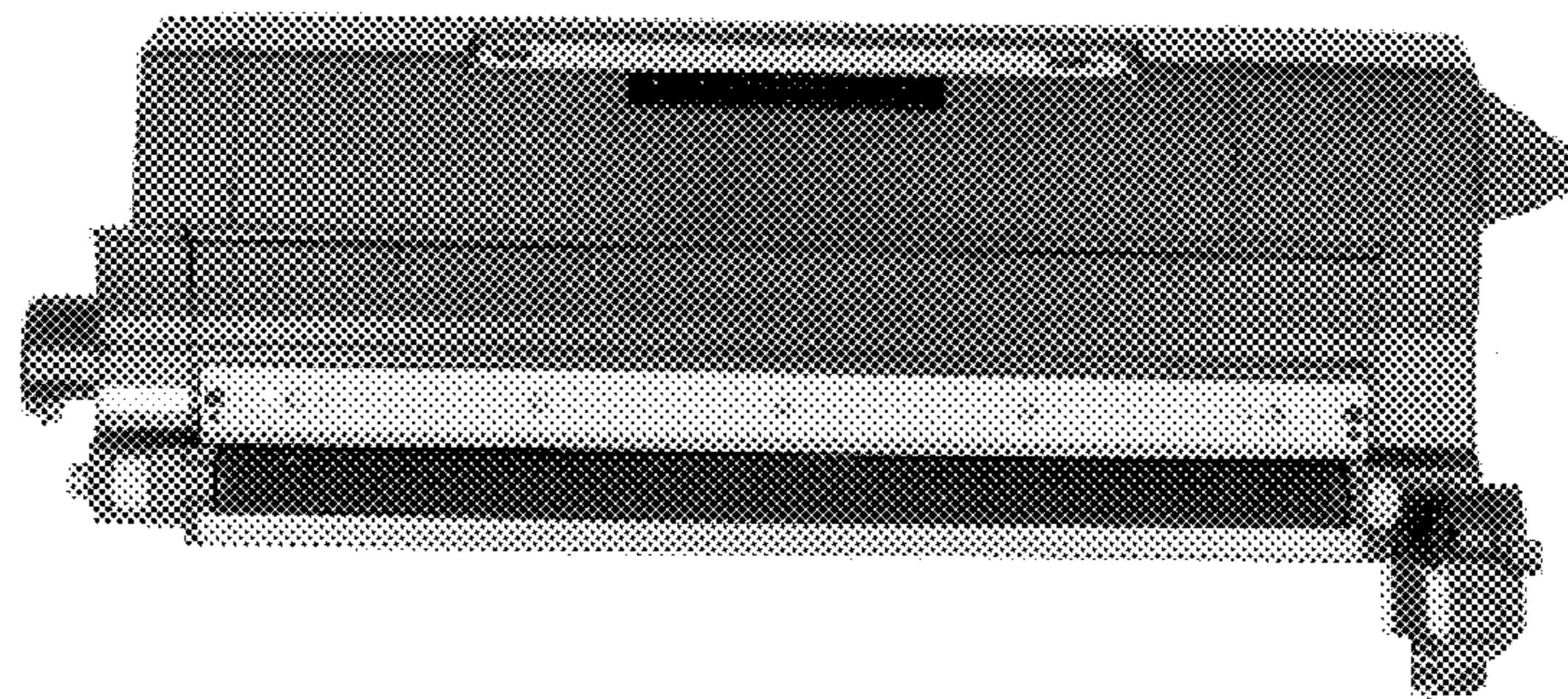


FIG. 3

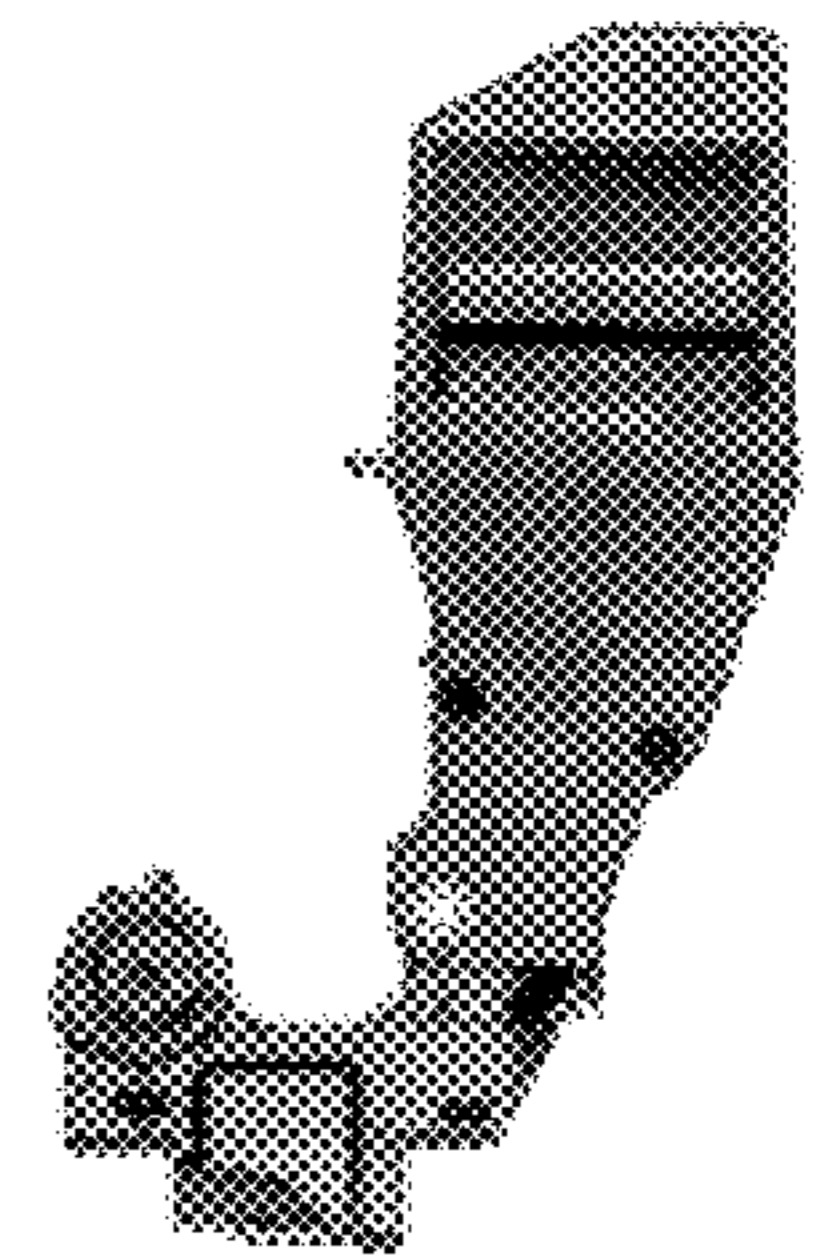


FIG. 7

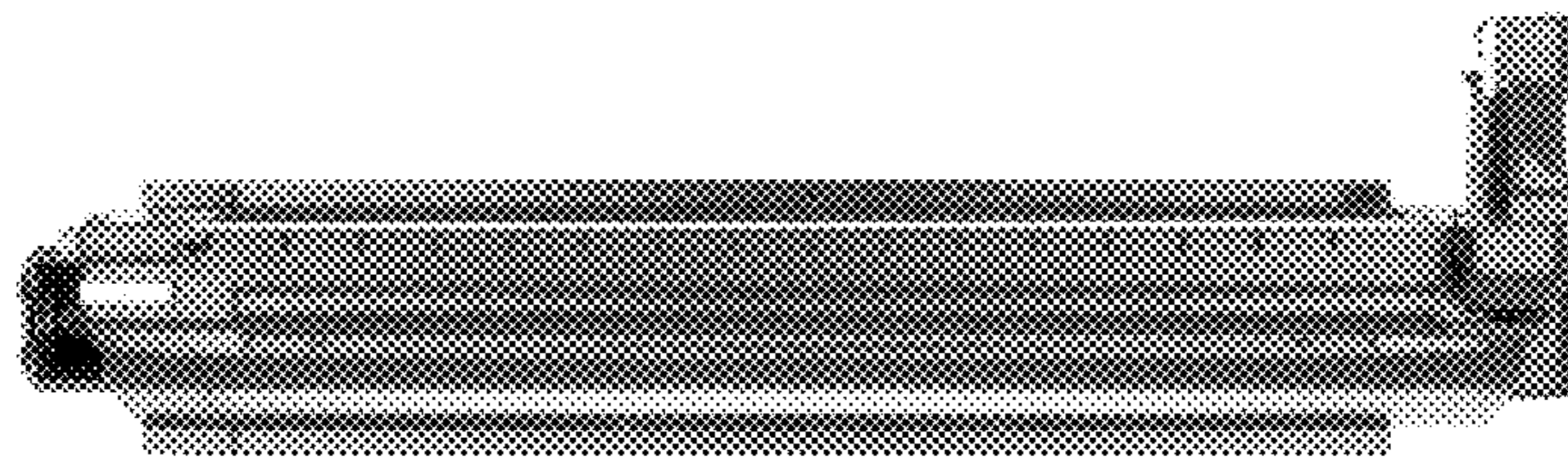


FIG. 6