



US00D446807B1

(12) **United States Design Patent**  
**Ozawa et al.**

(10) **Patent No.:** **US D446,807 S**

(45) **Date of Patent:** **\*\* Aug. 21, 2001**

(54) **CONTAINER FOR IMAGE FORMING APPARATUS**

(75) Inventors: **Junichi Ozawa; Takashi Kanagawa,**  
both of Ebina (JP)

(73) Assignee: **Fuji Xerox Co., Ltd., Tokyo (JP)**

(\*\*) Term: **14 Years**

(21) Appl. No.: **29/134,210**

(22) Filed: **Dec. 18, 2000**

(30) **Foreign Application Priority Data**

Jun. 22, 2000 (JP) ..... 12-016966

(51) **LOC (7) Cl.** ..... **16-03**

(52) **U.S. Cl.** ..... **D18/40**

(58) **Field of Search** ..... D18/36, 40, 43,  
D18/56; 399/24, 25, 26, 27, 31, 119-123,  
130, 134, 262; 222/DIG. 1

(56) **References Cited**

**U.S. PATENT DOCUMENTS**

D. 238,658 \* 2/1976 Stone ..... D18/43

D. 351,401 \* 10/1994 Intemann ..... D18/43

D. 359,069 \* 6/1995 Komaki et al. .... D18/43

D. 361,341 \* 8/1995 Komaki et al. .... D18/43

D. 424,608 \* 5/2000 Yorifuji et al. .... D18/40

5,909,610 \* 6/1999 Yoshiki et al. .... 399/262

\* cited by examiner

*Primary Examiner*—Caron D. Veynar

(74) *Attorney, Agent, or Firm*—Oliff & Berridge, PLC

(57) **CLAIM**

The ornamental design for a container for image forming apparatus, as shown and described.

**DESCRIPTION**

FIG. 1 is a perspective view of the top, front and right side of a container for image forming apparatus showing our new design;

FIG. 2 is a perspective view of the rear, bottom and left side thereof;

FIG. 3 is a left side view thereof;

FIG. 4 is a right side view thereof;

FIG. 5 is a top plan view thereof;

FIG. 6 is a front view thereof;

FIG. 7 is a rear view thereof; and,

FIG. 8 is a bottom view thereof.

**1 Claim, 4 Drawing Sheets**

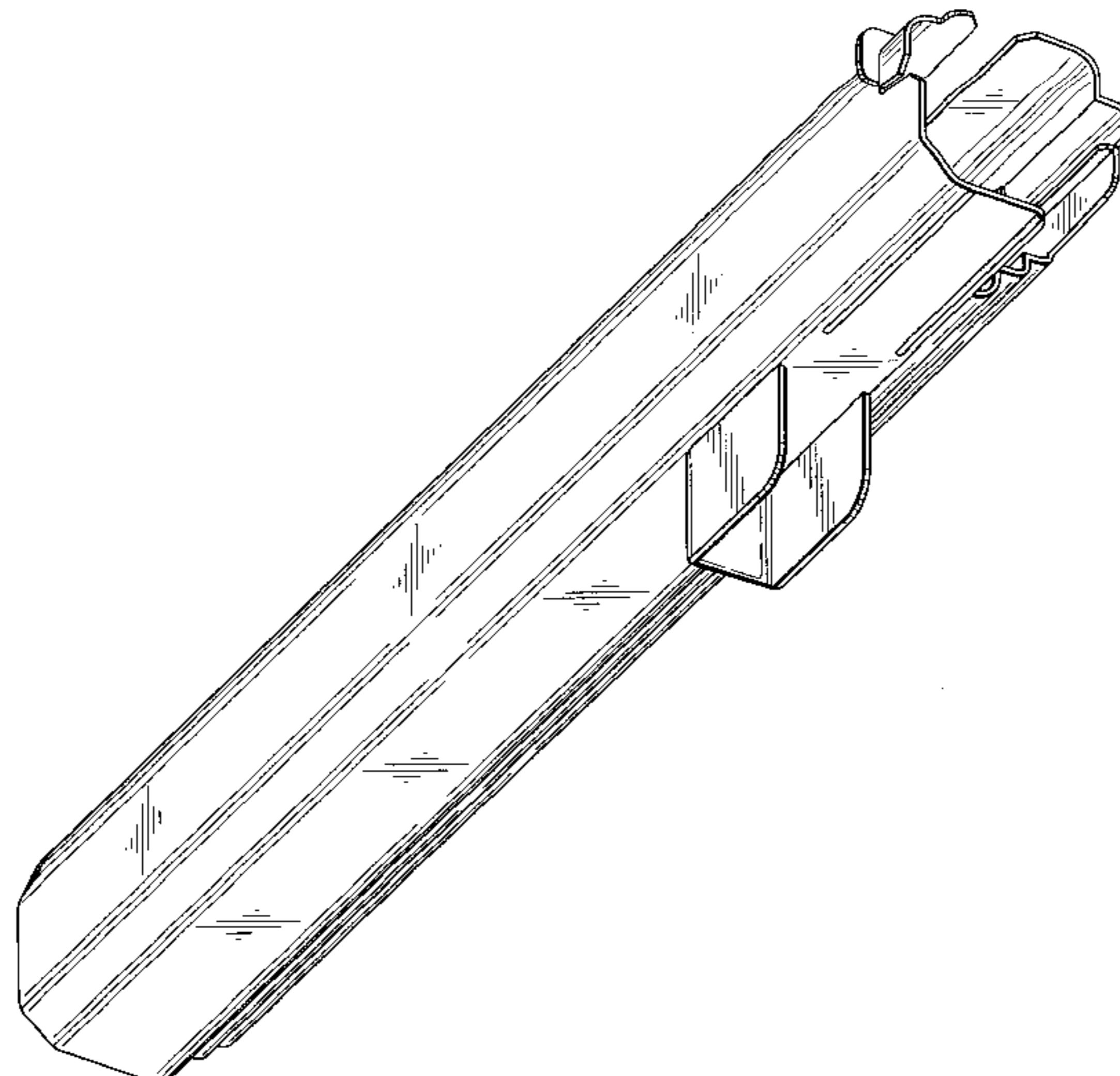
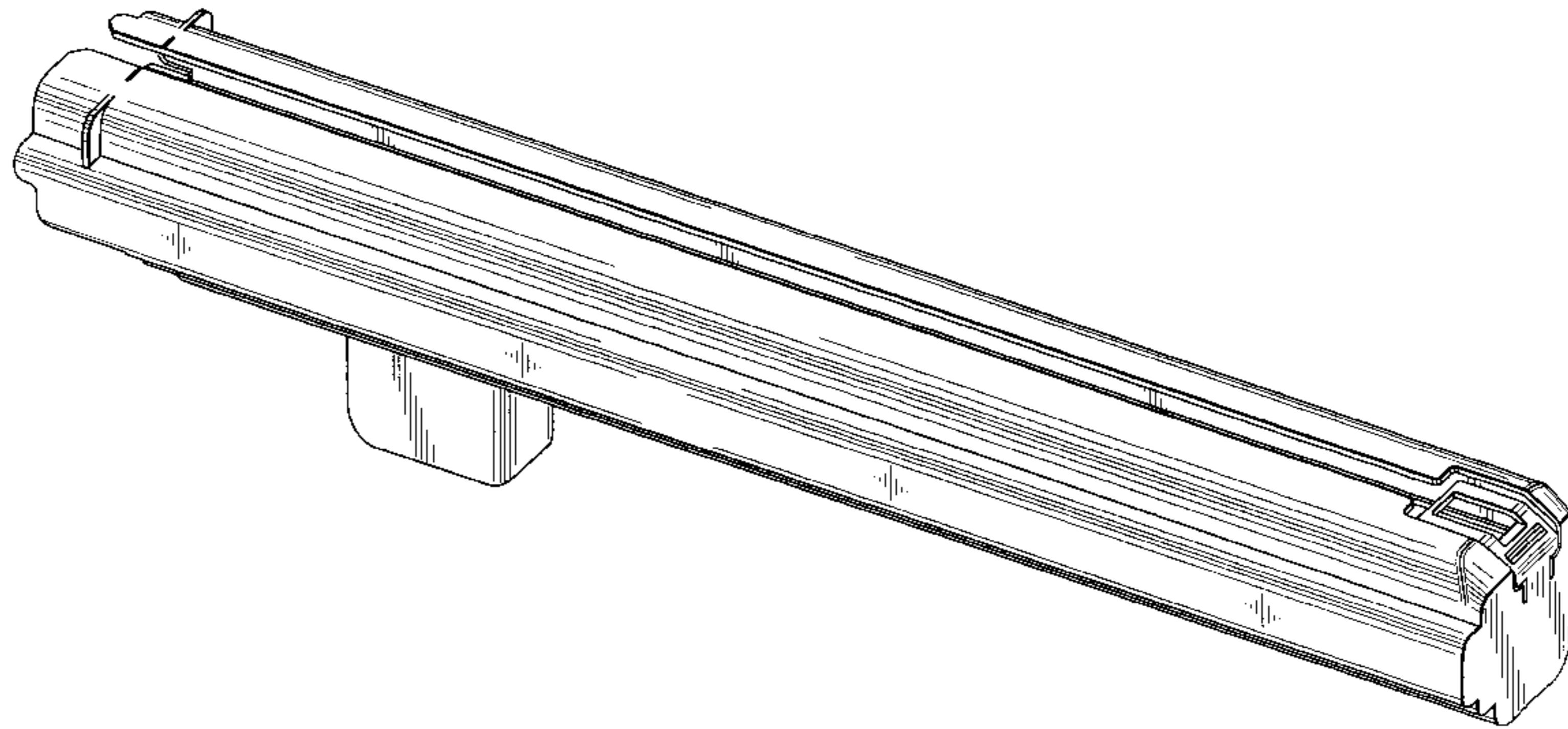
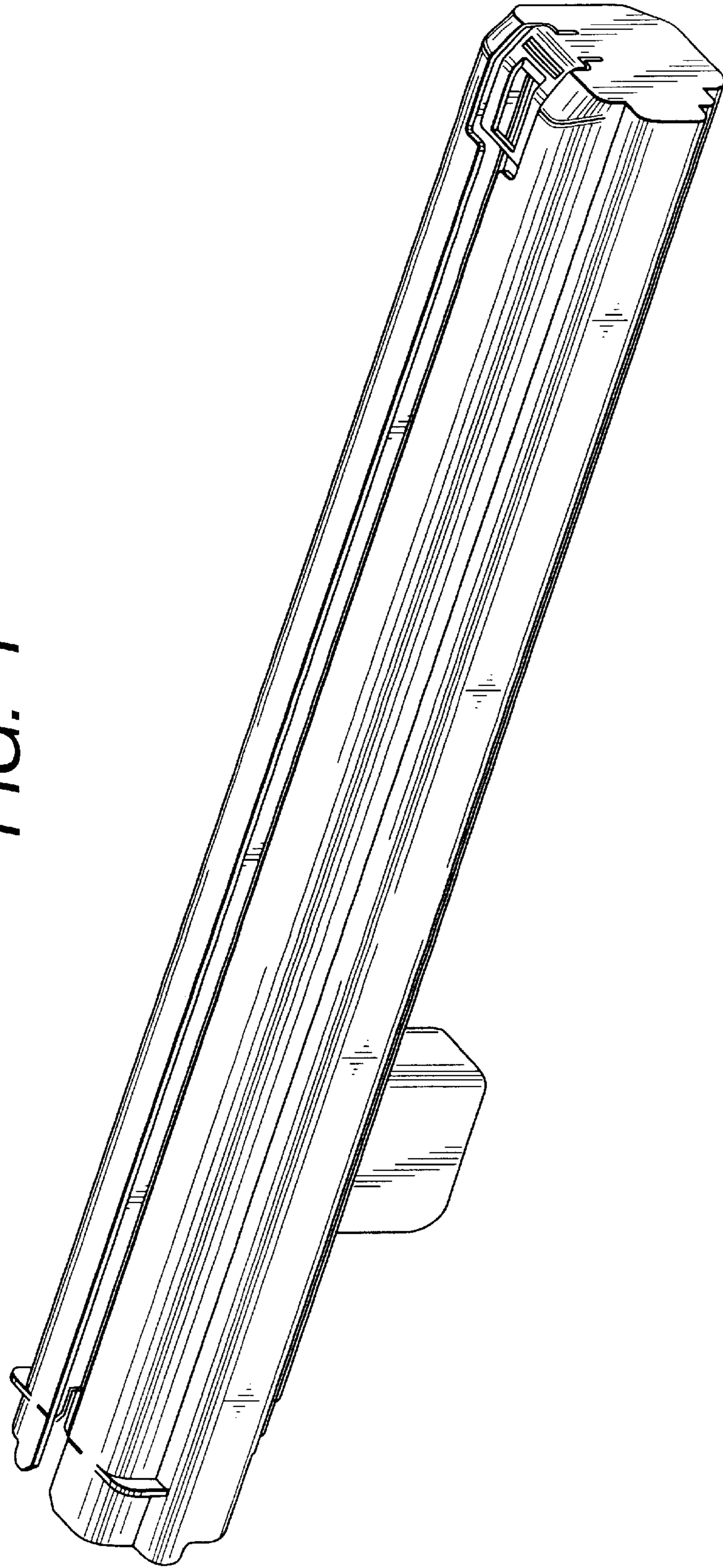
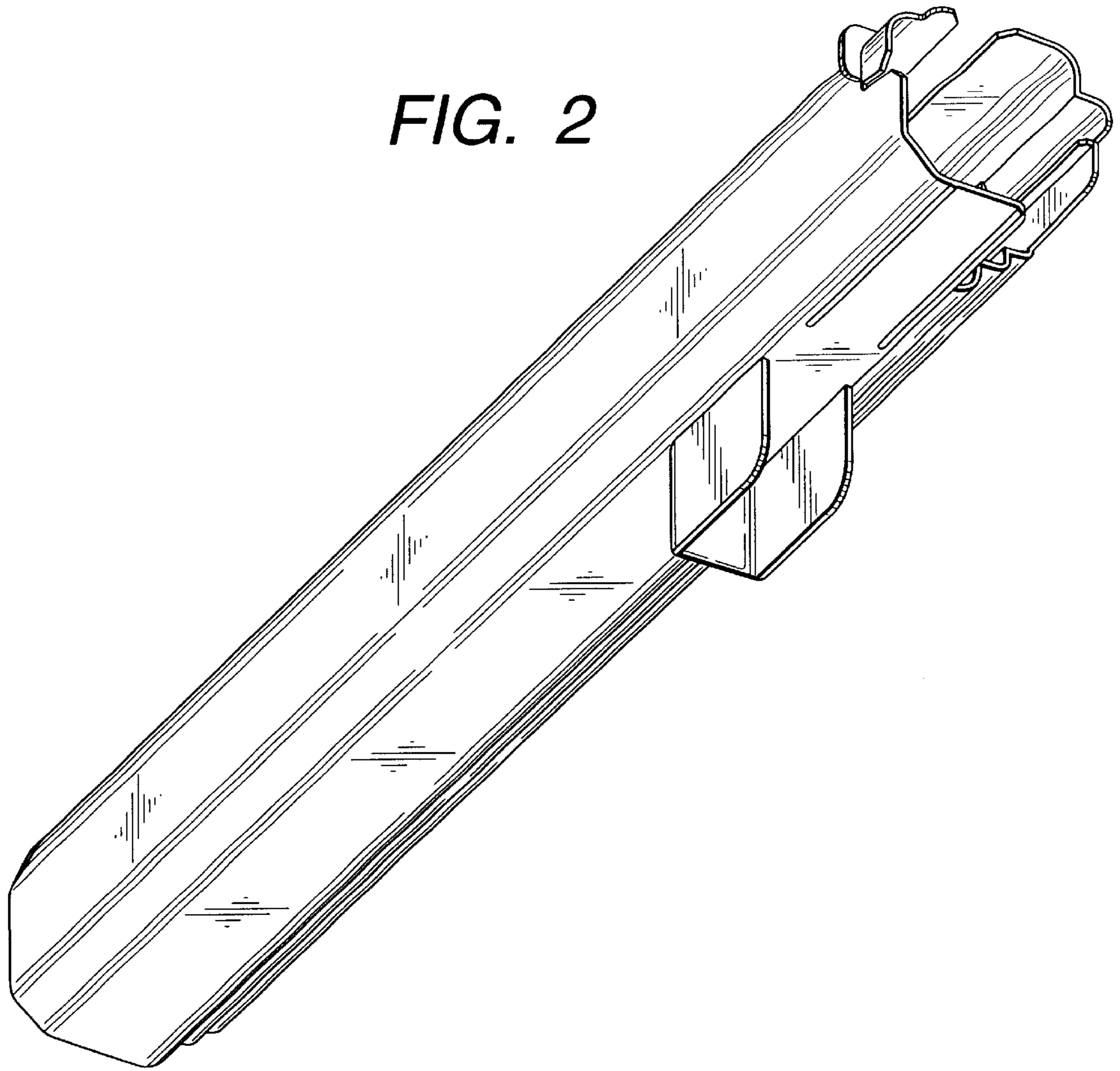
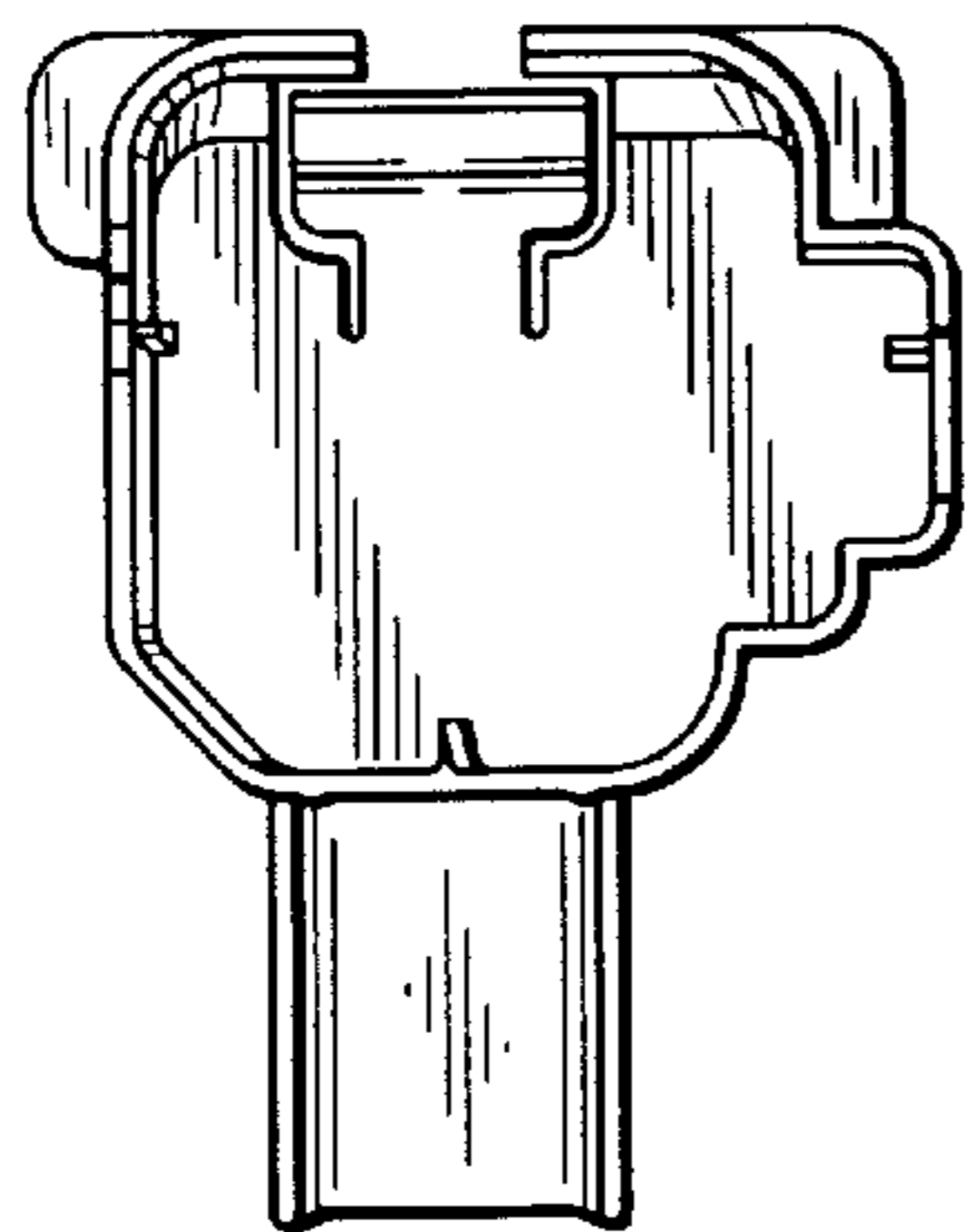


FIG. 1





*FIG. 3*



*FIG. 4*

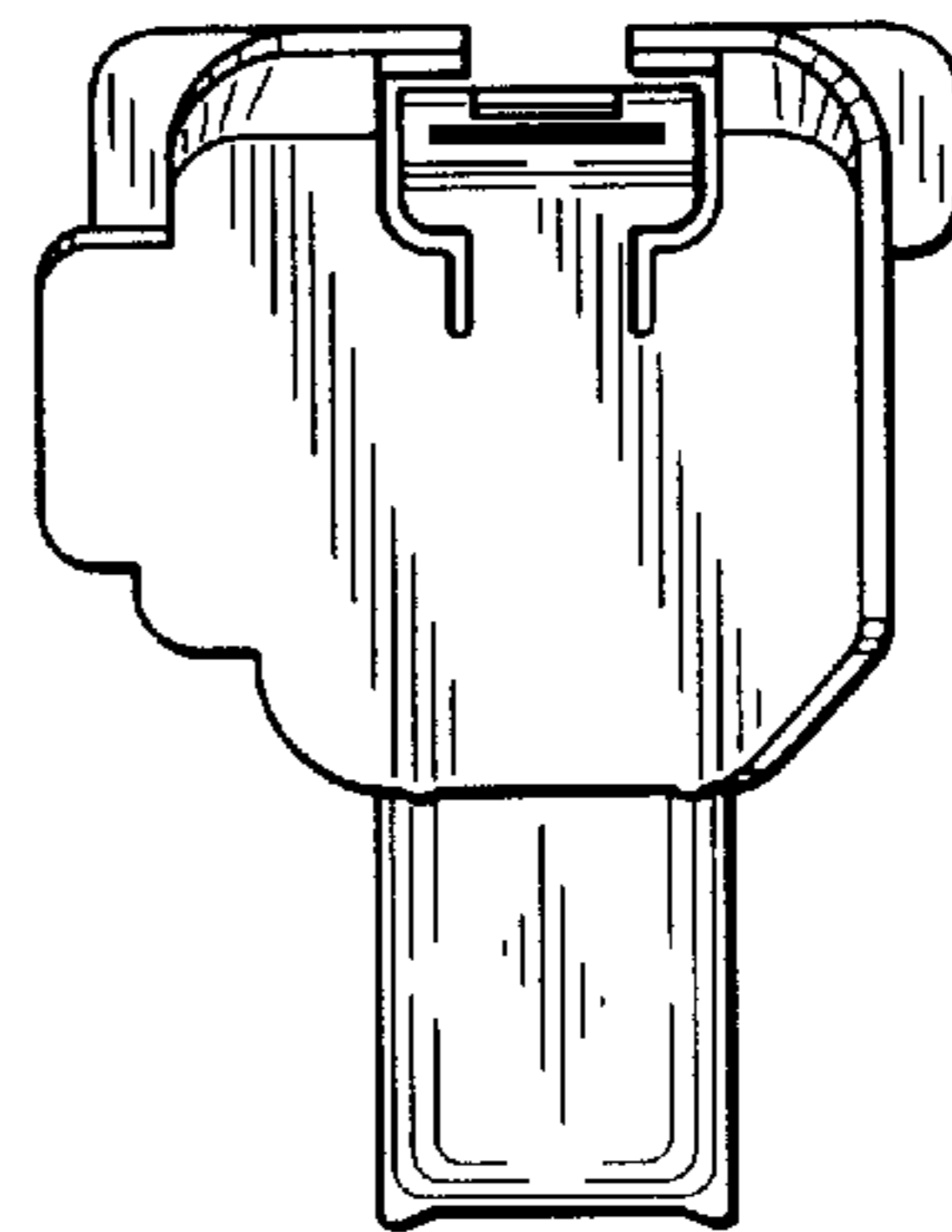




FIG. 5

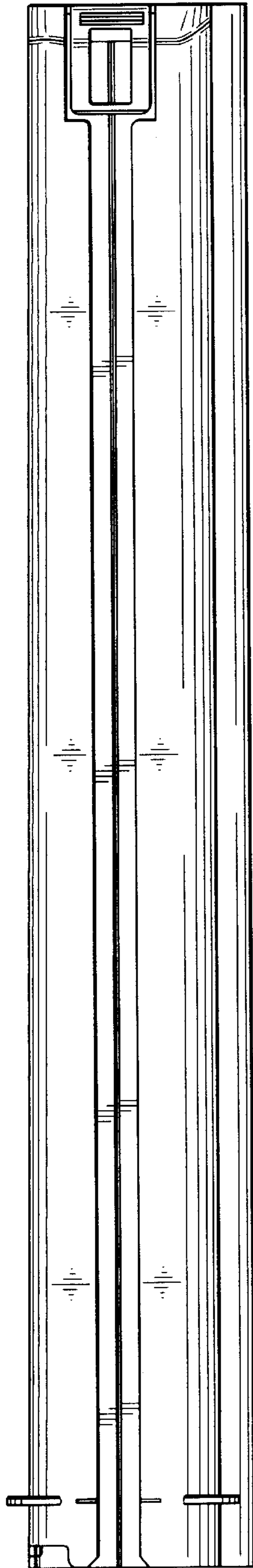


FIG. 6

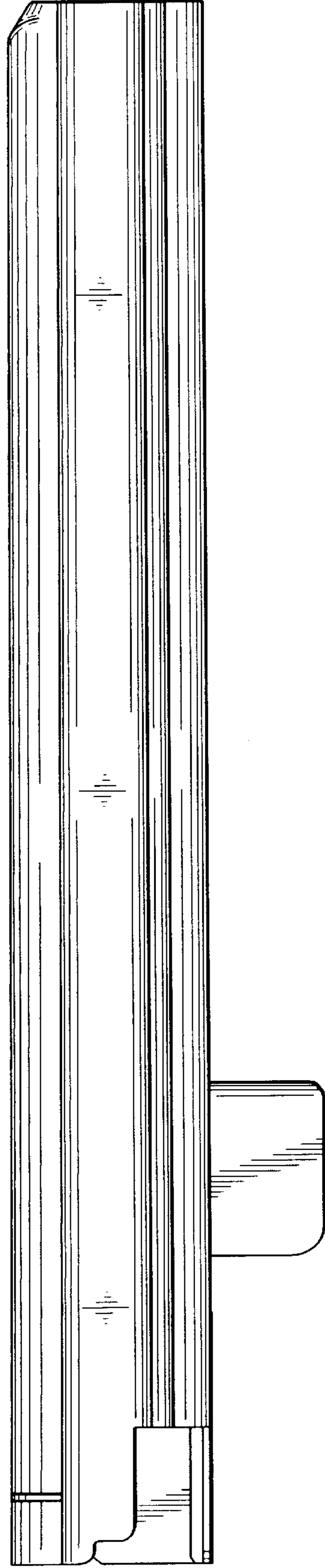


FIG. 7

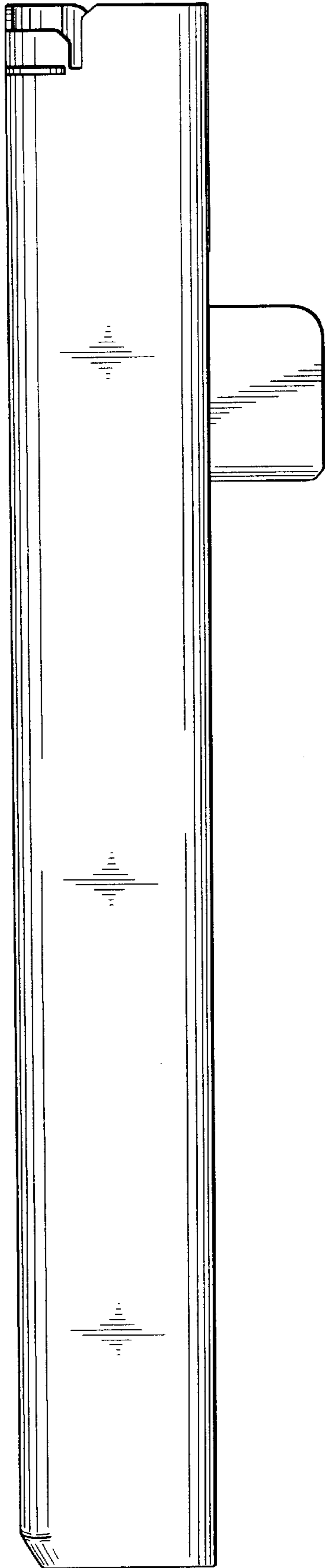


FIG. 8

