



US00D446806B1

(12) **United States Design Patent**  
**Imai**

(10) **Patent No.:** **US D446,806 S**

(45) **Date of Patent:** **\*\* Aug. 21, 2001**

(54) **ELECTRONIC COPYING MACHINE**

(75) Inventor: **Akira Imai**, Kanagawa (JP)

(73) Assignee: **Ricoh Company, Ltd.**, Tokyo (JP)

(\*\*) Term: **14 Years**

(21) Appl. No.: **29/106,788**

(22) Filed: **Jun. 23, 1999**

(30) **Foreign Application Priority Data**

Dec. 24, 1998 (JP) ..... 10-37497

(51) **LOC (7) Cl.** ..... **16-03**

(52) **U.S. Cl.** ..... **D18/36**

(58) **Field of Search** ..... D18/36-39; 399/1-7

(56) **References Cited**

**U.S. PATENT DOCUMENTS**

- D. 320,808 \* 10/1991 Ishida ..... D18/37
- D. 328,609 \* 8/1992 Isida ..... D18/36
- D. 353,829 \* 12/1994 Onoda ..... D18/39
- D. 374,454 \* 10/1996 Naruki et al. .... D18/36

D. 415,787 \* 10/1999 Clark, III et al. .... D18/36

D. 425,929 \* 5/2000 Imai ..... D18/36

D. 428,049 \* 7/2000 Imai ..... D18/36

\* cited by examiner

*Primary Examiner*—Caron D. Veynar

(74) *Attorney, Agent, or Firm*—Dickstein Shapiro Morin & Oshinsky LLP

(57) **CLAIM**

The ornamental design for the electronic copying machine, as shown and described.

**DESCRIPTION**

FIG. 1 is a top, front and left side perspective view of an electronic copying machine showing my new design;  
 FIG. 2 is a front elevation view thereof;  
 FIG. 3 is a rear elevation view thereof;  
 FIG. 4 is a top elevation view thereof;  
 FIG. 5 is a bottom elevation view thereof;  
 FIG. 6 is a right side elevation view thereof; and,  
 FIG. 7 is a left side elevation view thereof.

**1 Claim, 4 Drawing Sheets**

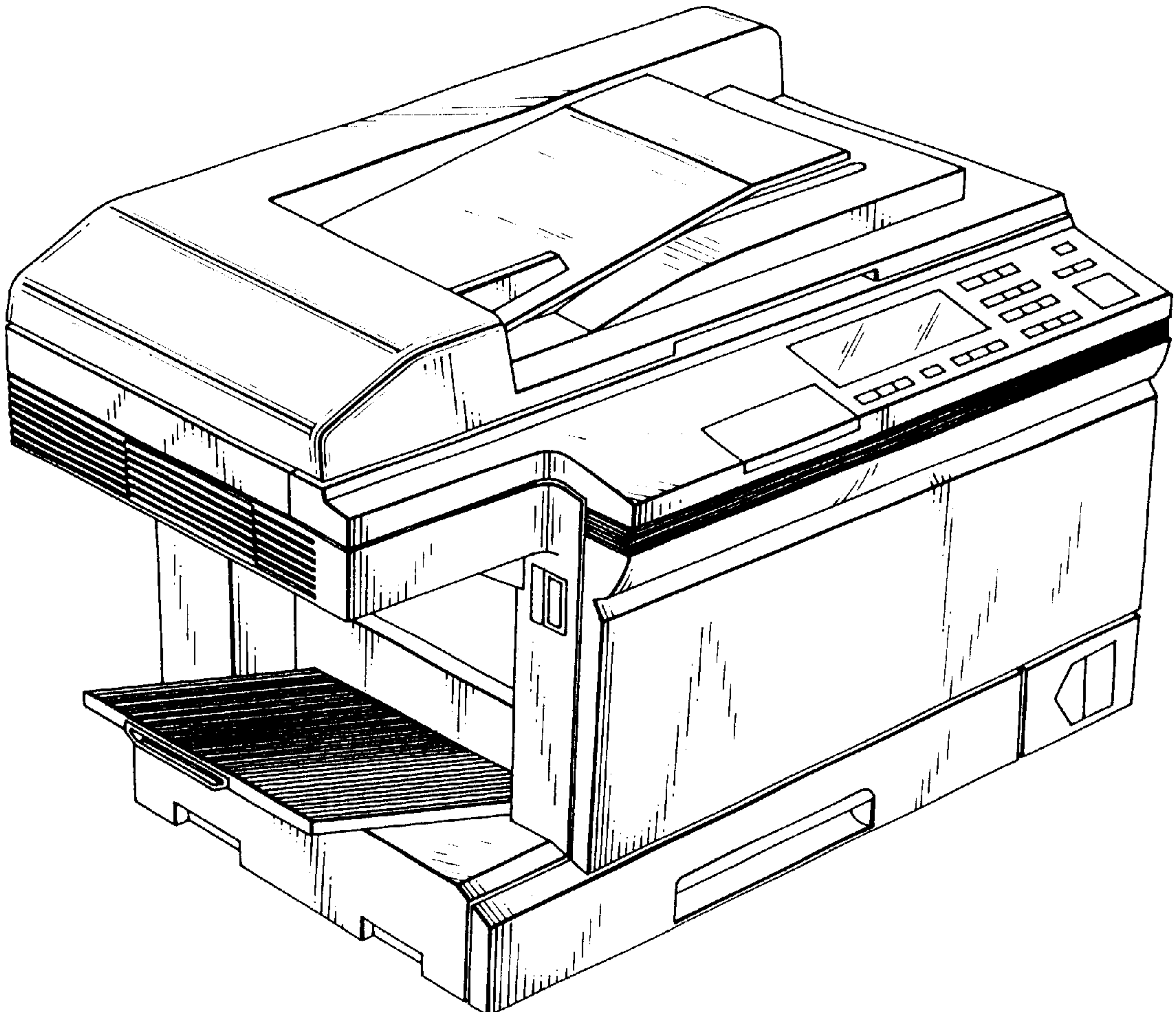


FIG. 1

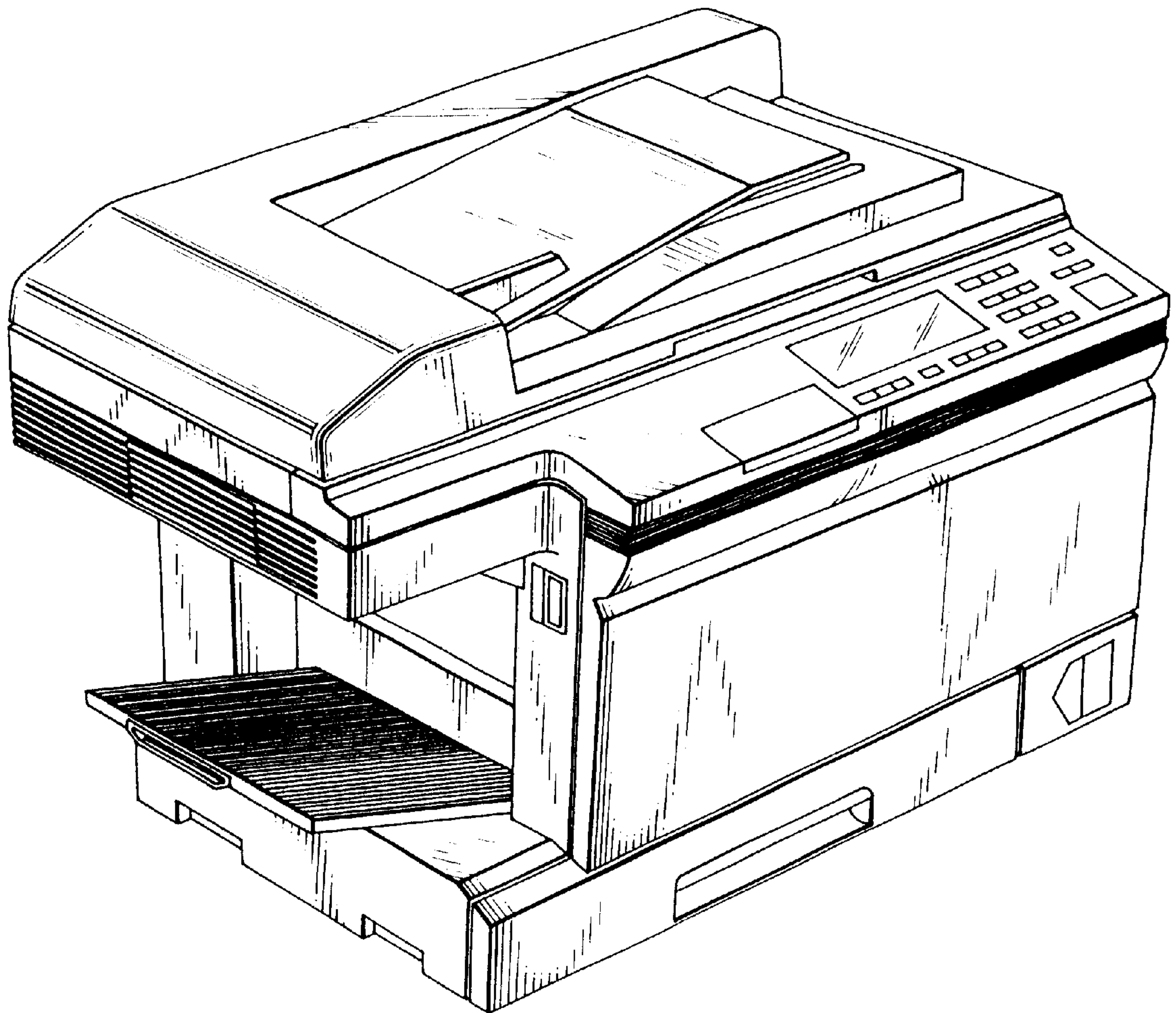


FIG. 2

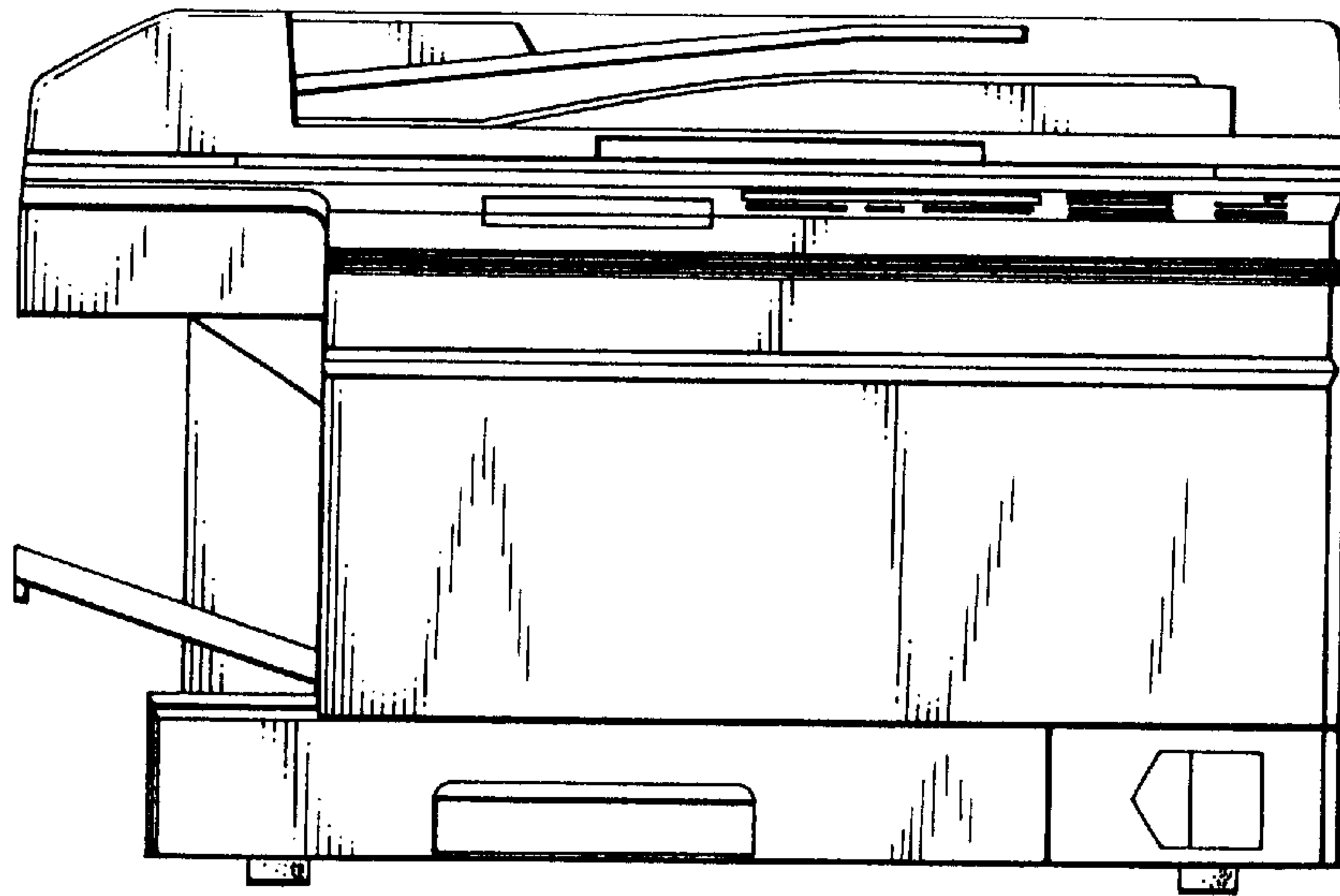


FIG. 3

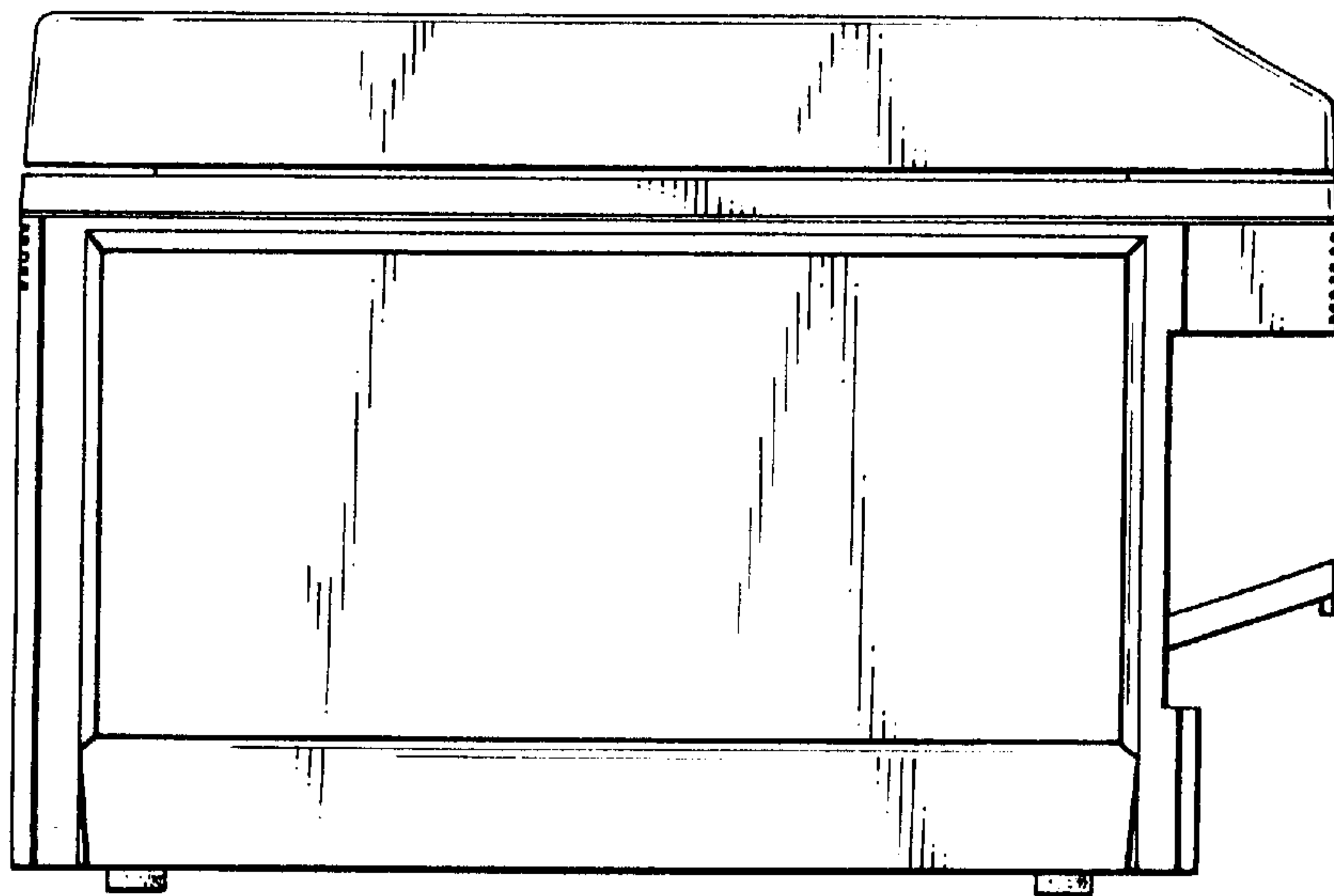


FIG. 4

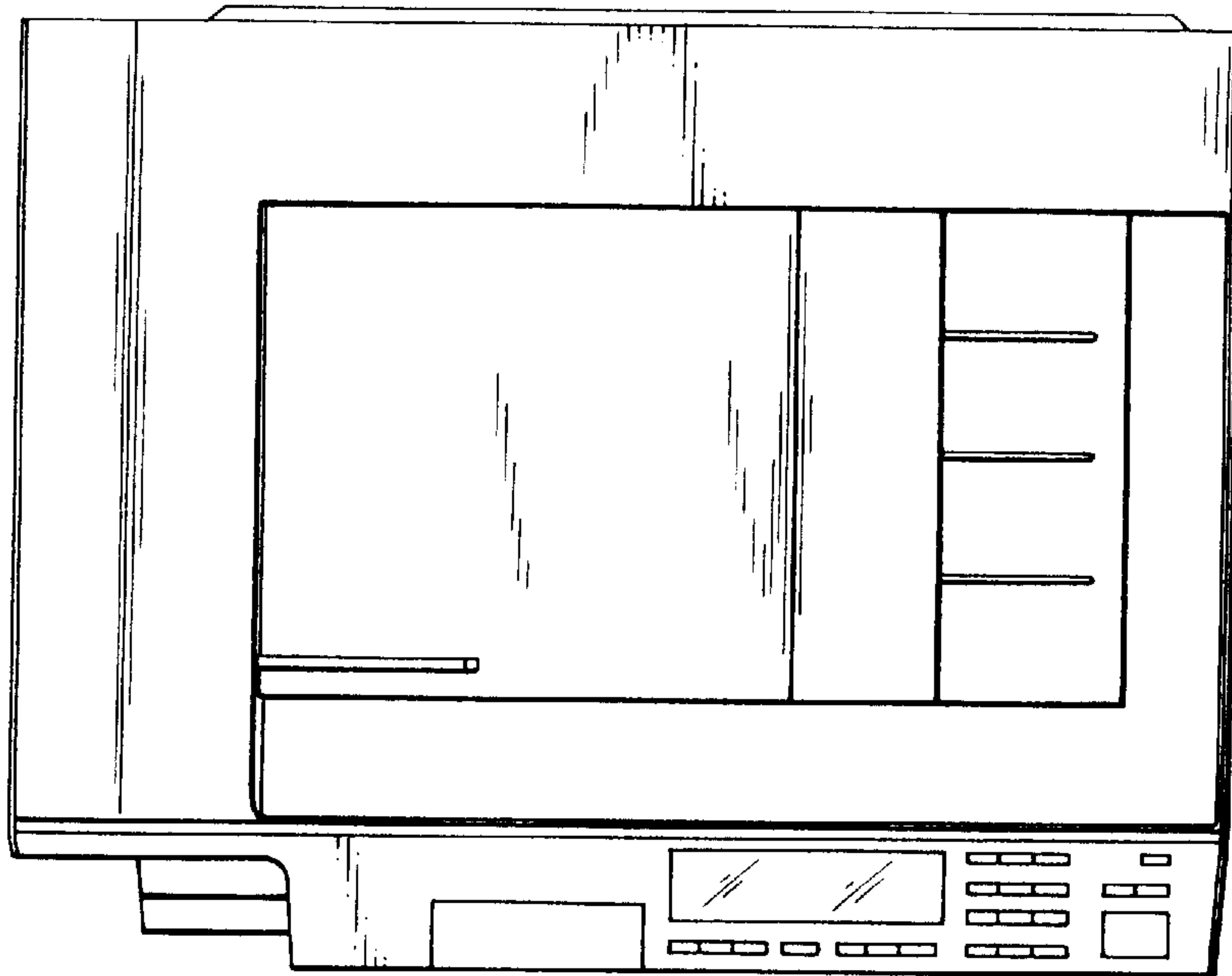


FIG. 5

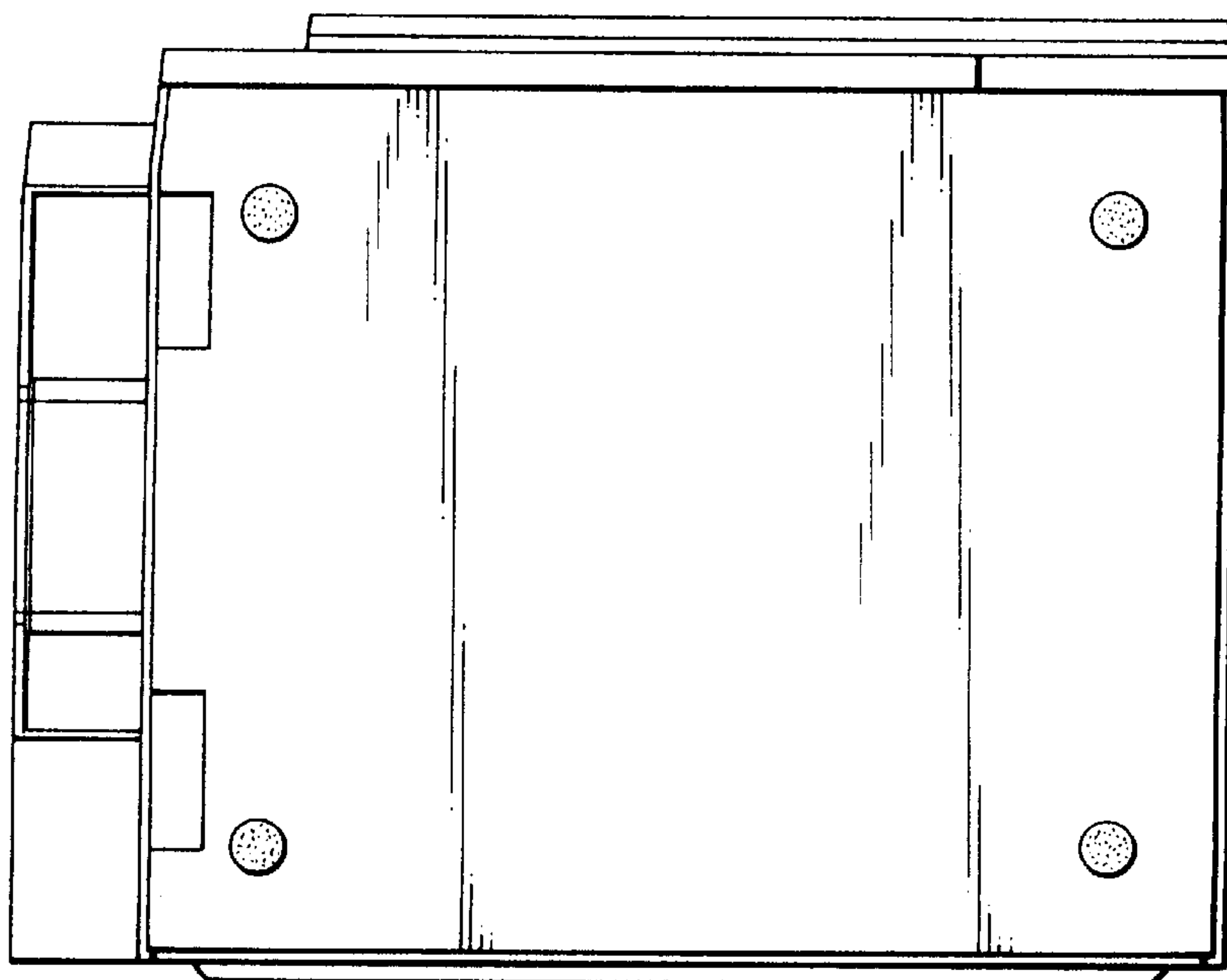




FIG. 6

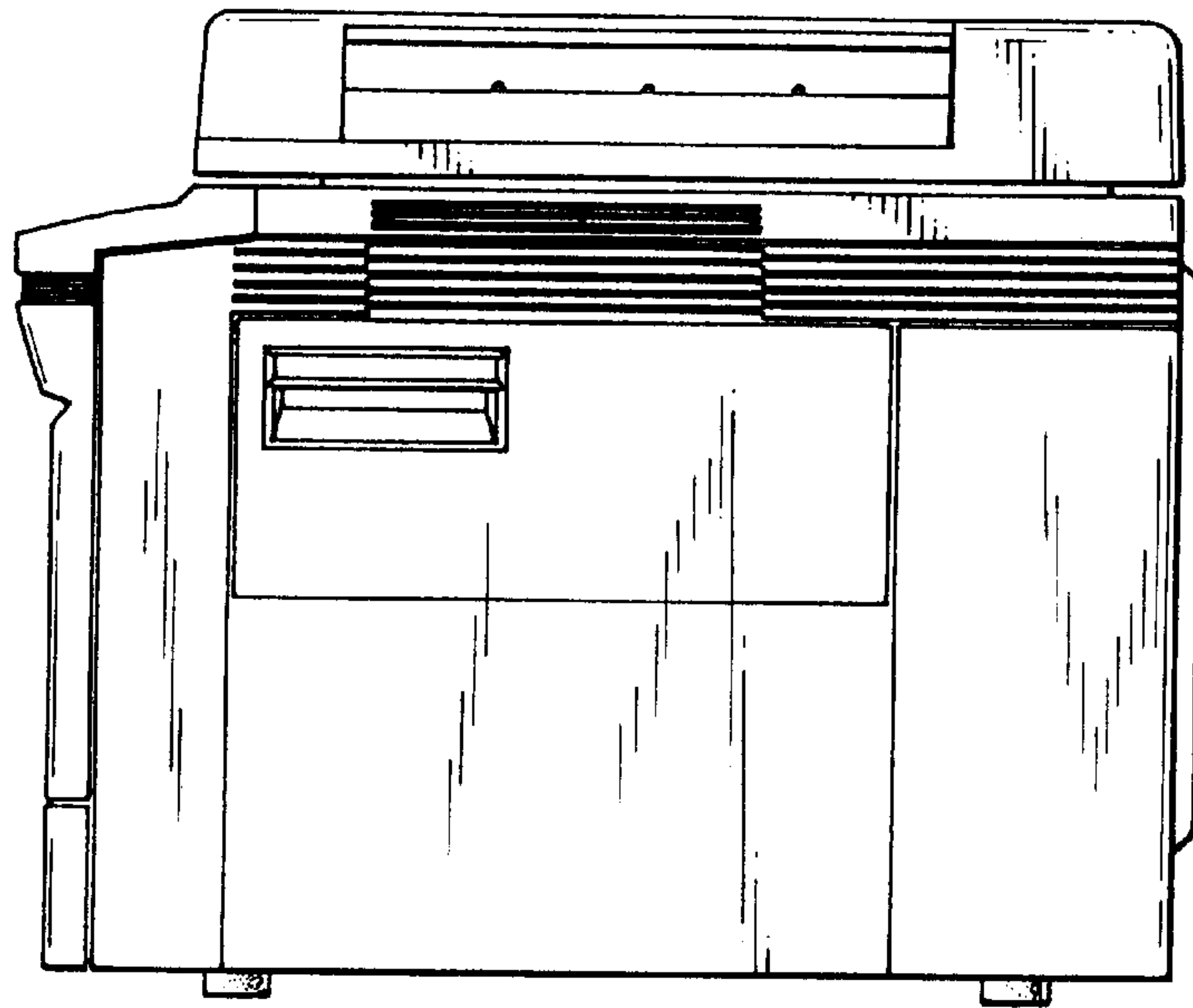


FIG. 7

