



US00D446805B1

(12) **United States Design Patent**
Suto

(10) **Patent No.:** **US D446,805 S**

(45) **Date of Patent:** **** Aug. 21, 2001**

(54) **CHANGEABLE CHARACTER STAMP**

(75) Inventor: **Kaoru Suto**, Nagoya (JP)

(73) Assignee: **Shachihata Inc.**, Nagoya (JP)

(**) Term: **14 Years**

(21) Appl. No.: **29/120,917**

(22) Filed: **Mar. 29, 2000**

(30) **Foreign Application Priority Data**

Oct. 1, 1999 (JP) 11-26789

(51) **LOC (7) Cl.** **19-02**

(52) **U.S. Cl.** **D18/15**

(58) **Field of Search** D18/14-18; D19/70;
118/264, 268; 101/103, 125, 327, 333,
334, 368, 371-373, 376, 405, 406

(56) **References Cited**

U.S. PATENT DOCUMENTS

D. 280,643 * 9/1985 Ichikawa D18/15
D. 378,597 * 3/1997 Harden D18/14

FOREIGN PATENT DOCUMENTS

768526 8/1989 (JP) .
1004156 2/1998 (JP) .

OTHER PUBLICATIONS

Millers Office Products catalog© 1994, p. 888, item C ,
Specialty Stamp—lower left of page.*

Guernsey Office Products' 2001 General Line Catalog©
2000, Items A,C and D—XpeDater.*

* cited by examiner

Primary Examiner—Alan P. Douglas

Assistant Examiner—Clare E. Heflin

(74) *Attorney, Agent, or Firm*—Jacobson Holman, PLLC

(57) **CLAIM**

The ornamental design for a changeable character stamp, as
shown.

DESCRIPTION

FIG. 1 is a right front perspective view of a changeable
character stamp taken from above;

FIG. 2 is a right front perspective view of the stamp taken
from under;

FIG. 3 is a front view of the stamp;

FIG. 4 is a rear view of the stamp;

FIG. 5 is a left side view of the stamp;

FIG. 6 is a right side view of the stamp;

FIG. 7 is a plan view of the stamp;

FIG. 8 is a bottom view of the stamp;

FIG. 9 is a front view of the stamp in which a cover cylinder
is raised so as to be able to change stamping characters; and,

FIG. 10 is a right side view of the stamp in which a cover
cylinder is raised so as to be able to change stamping
characters therein.

1 Claim, 3 Drawing Sheets

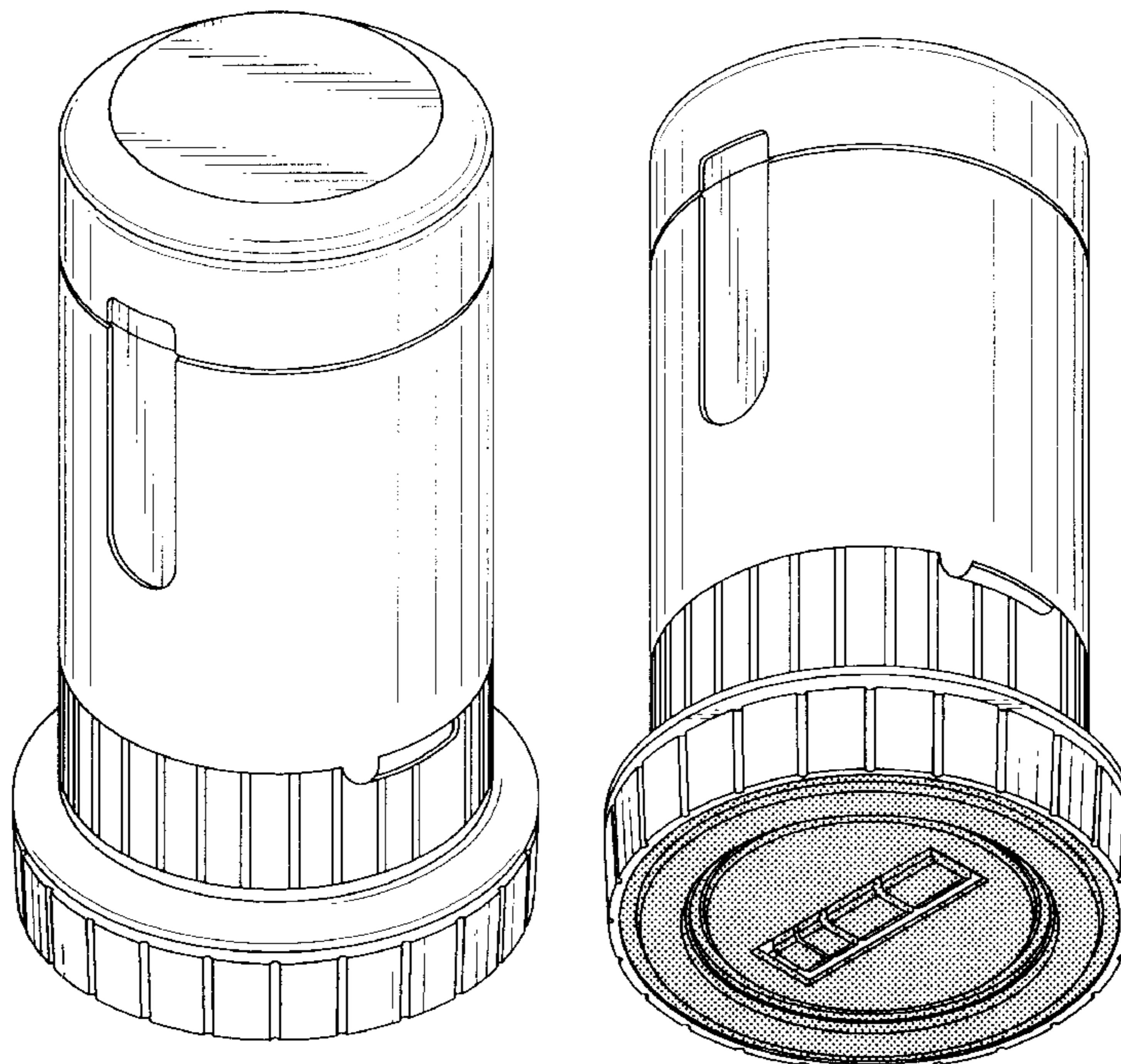


FIG. 1

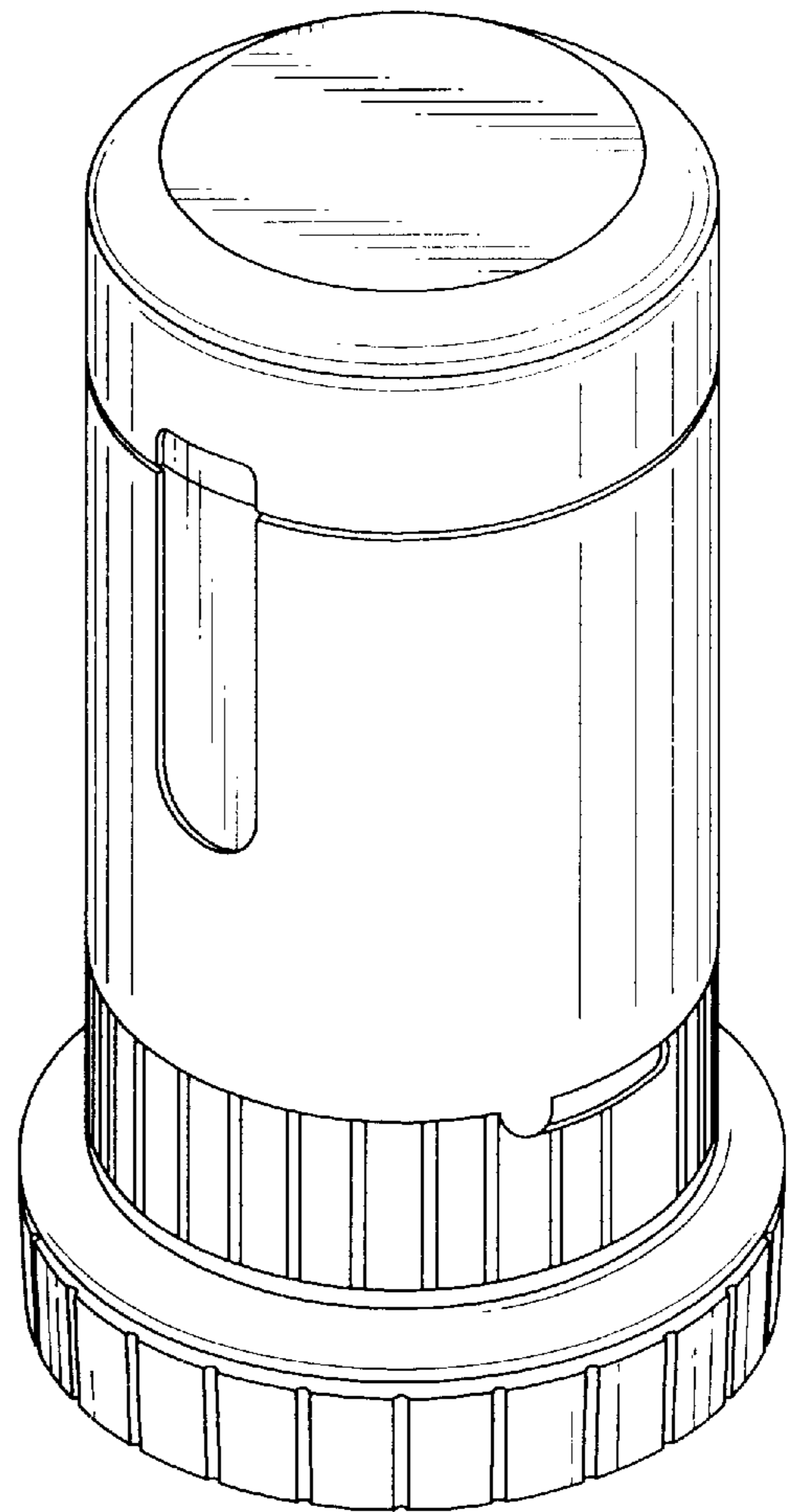


FIG. 2

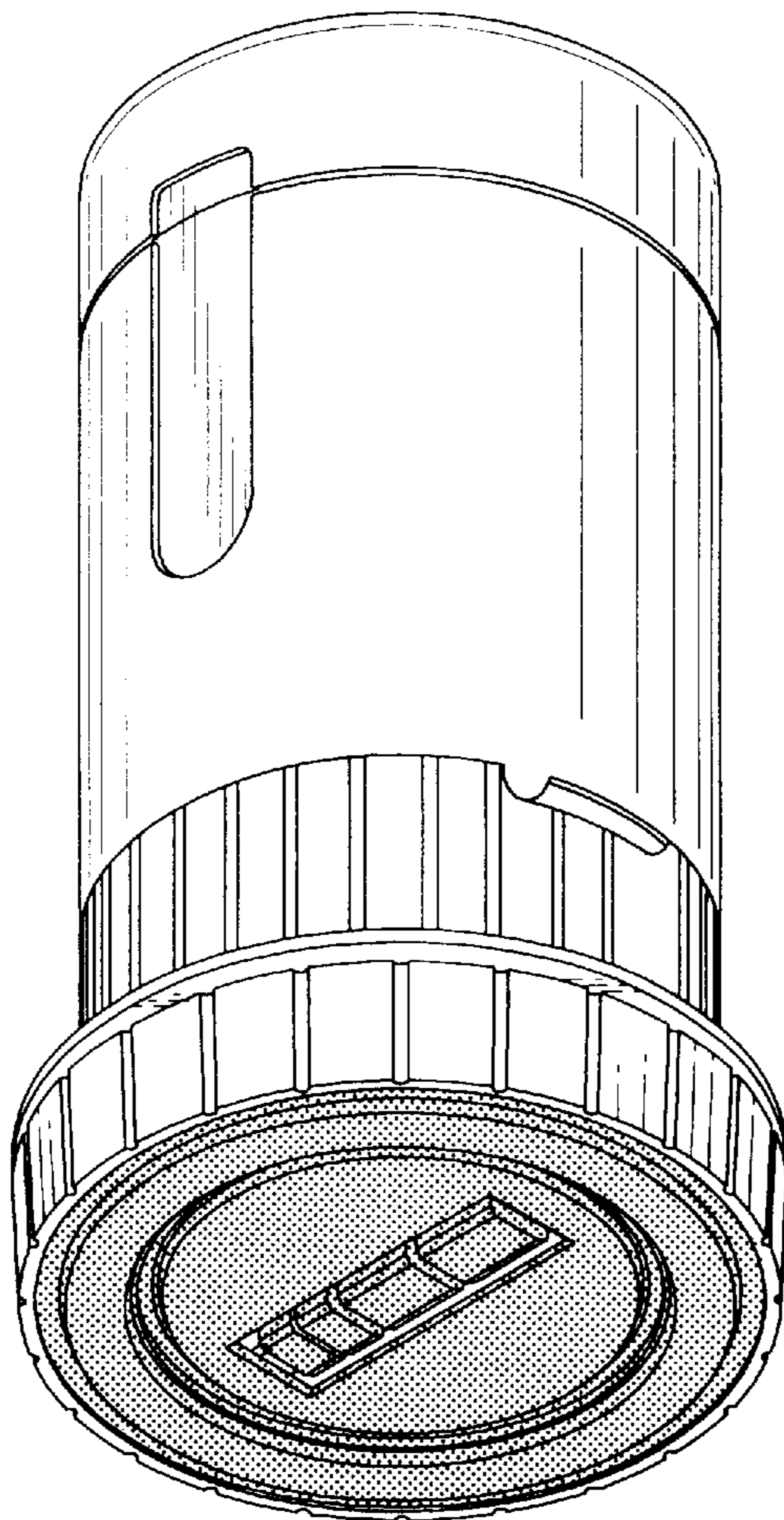


FIG.3

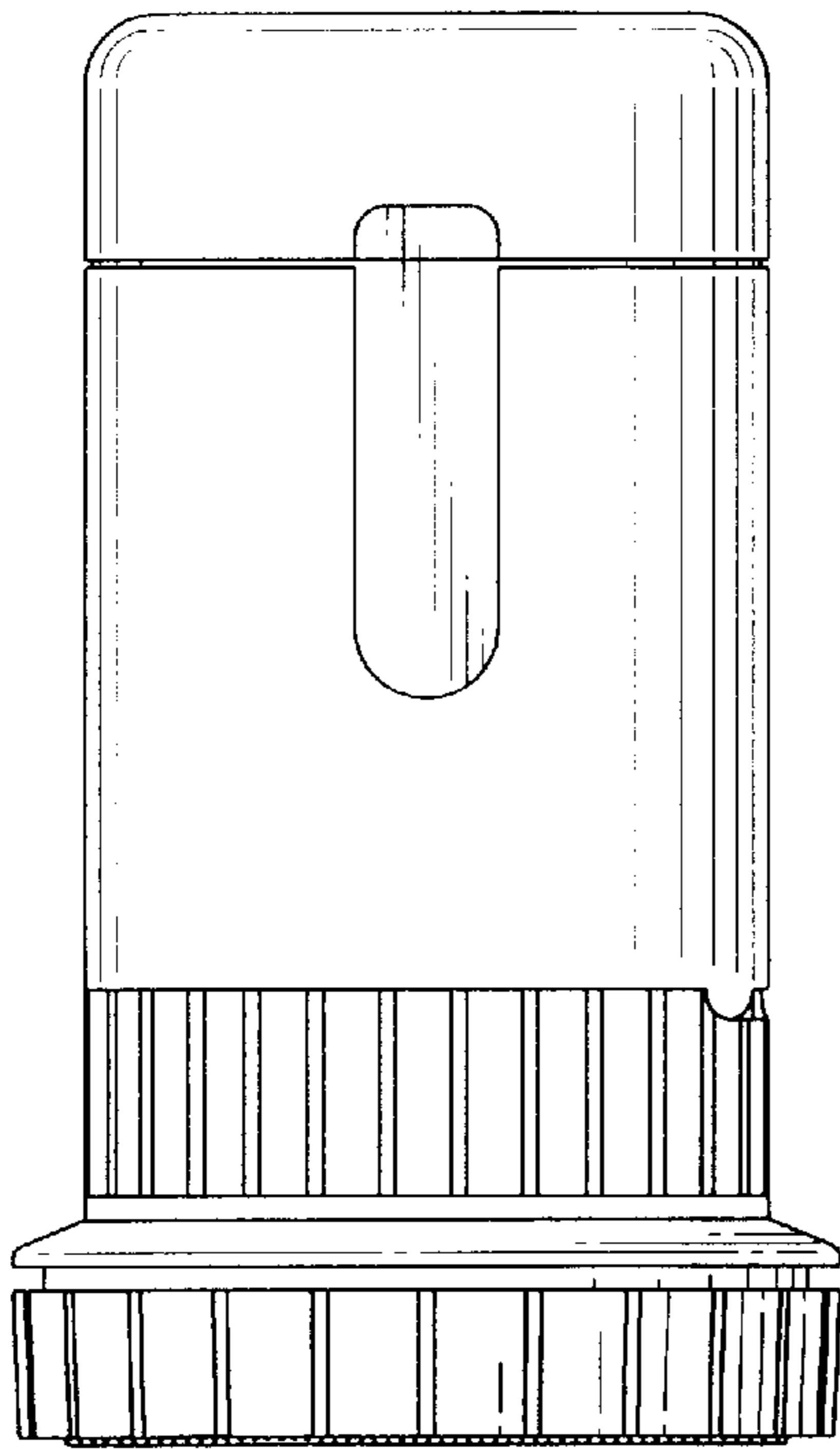


FIG.4

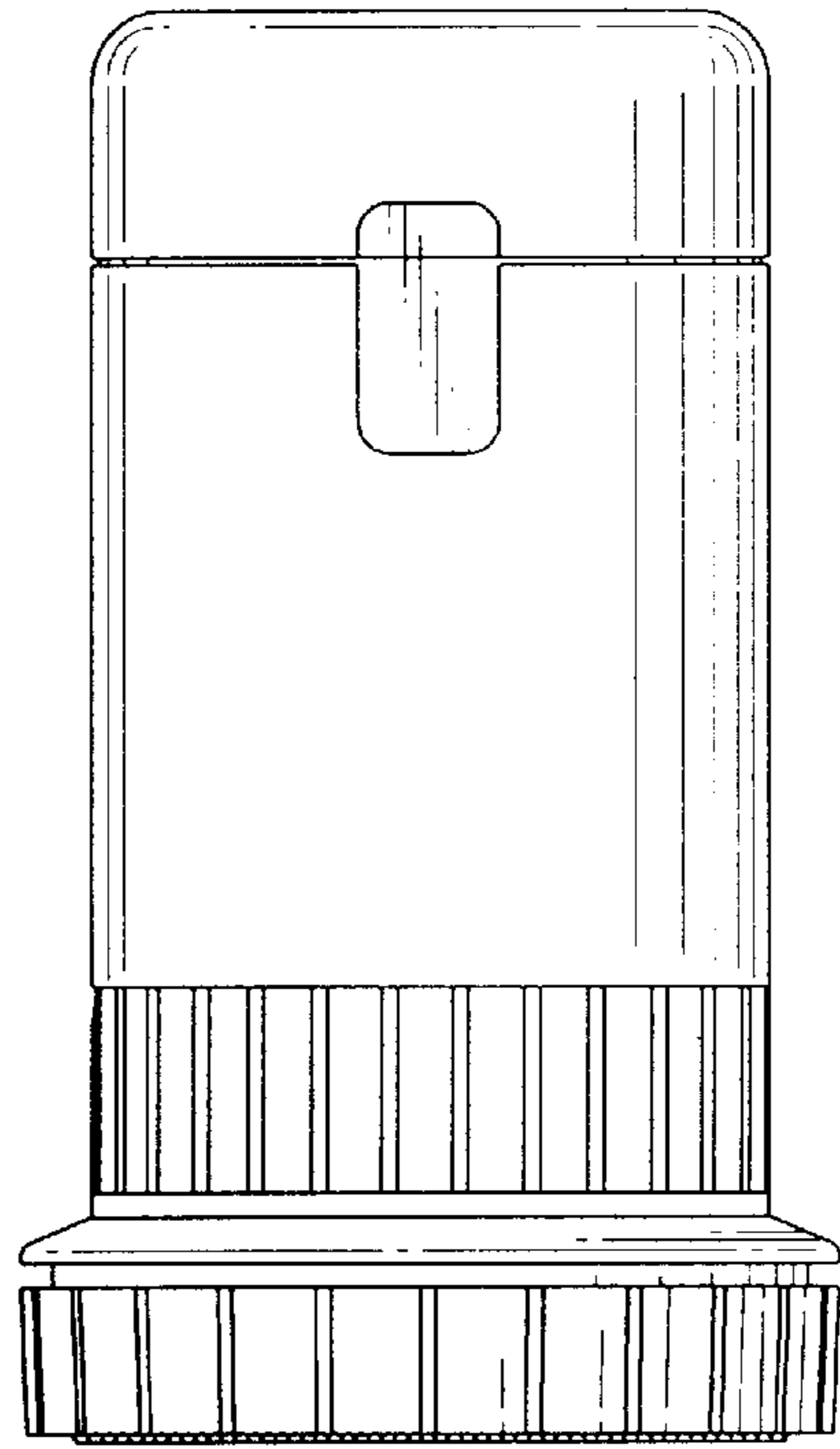


FIG.5

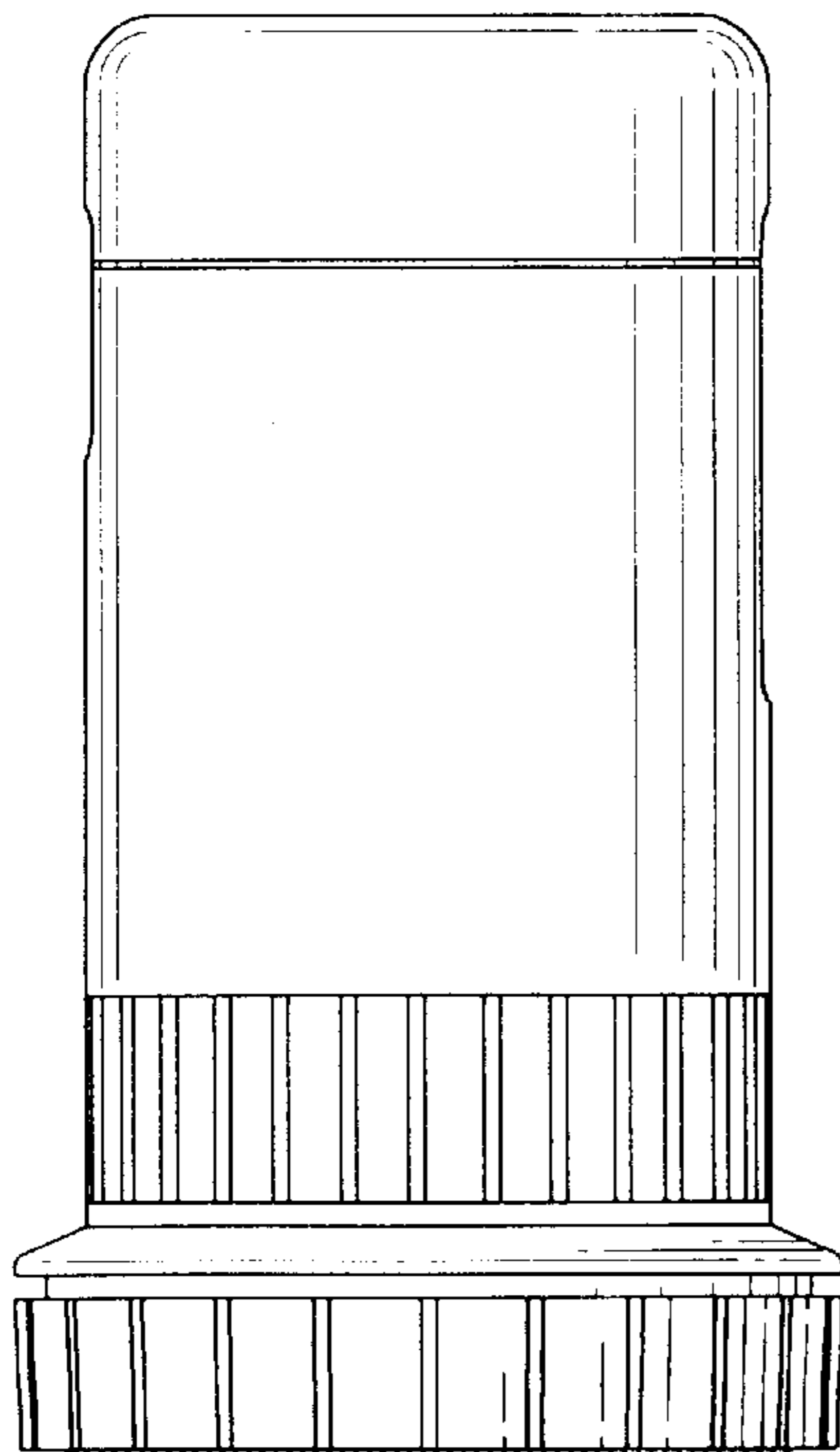


FIG.6

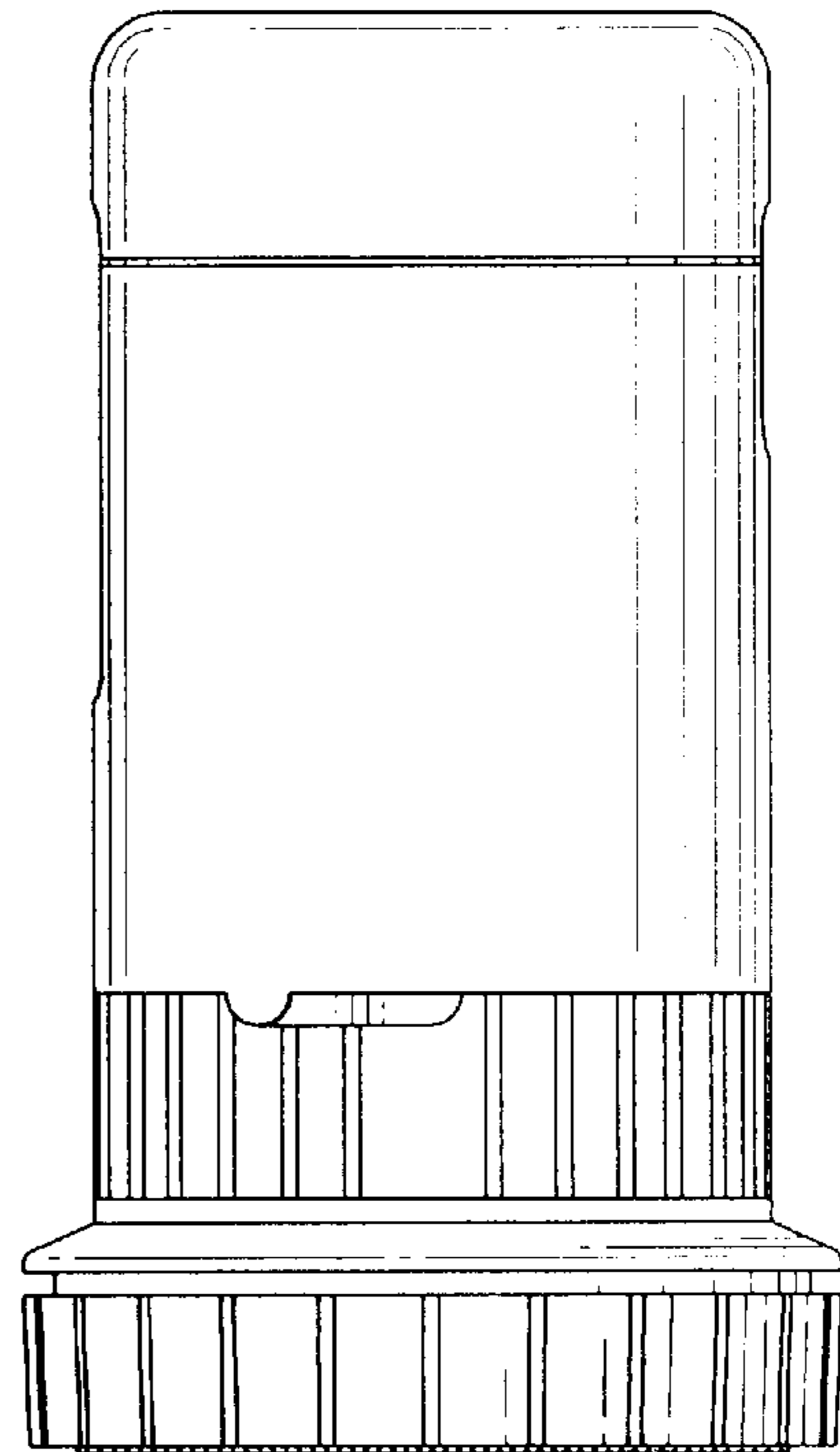


FIG.7

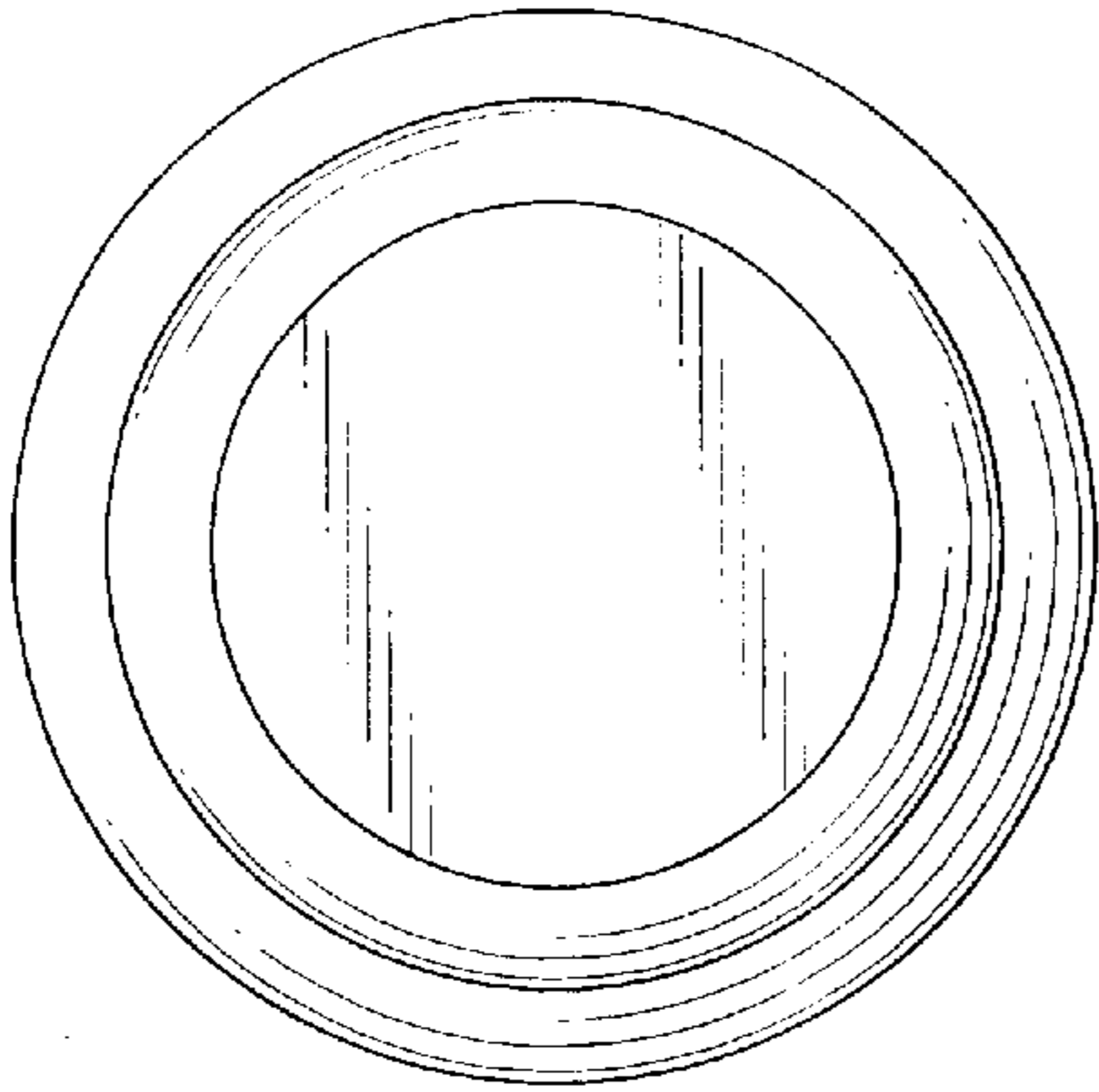


FIG.8

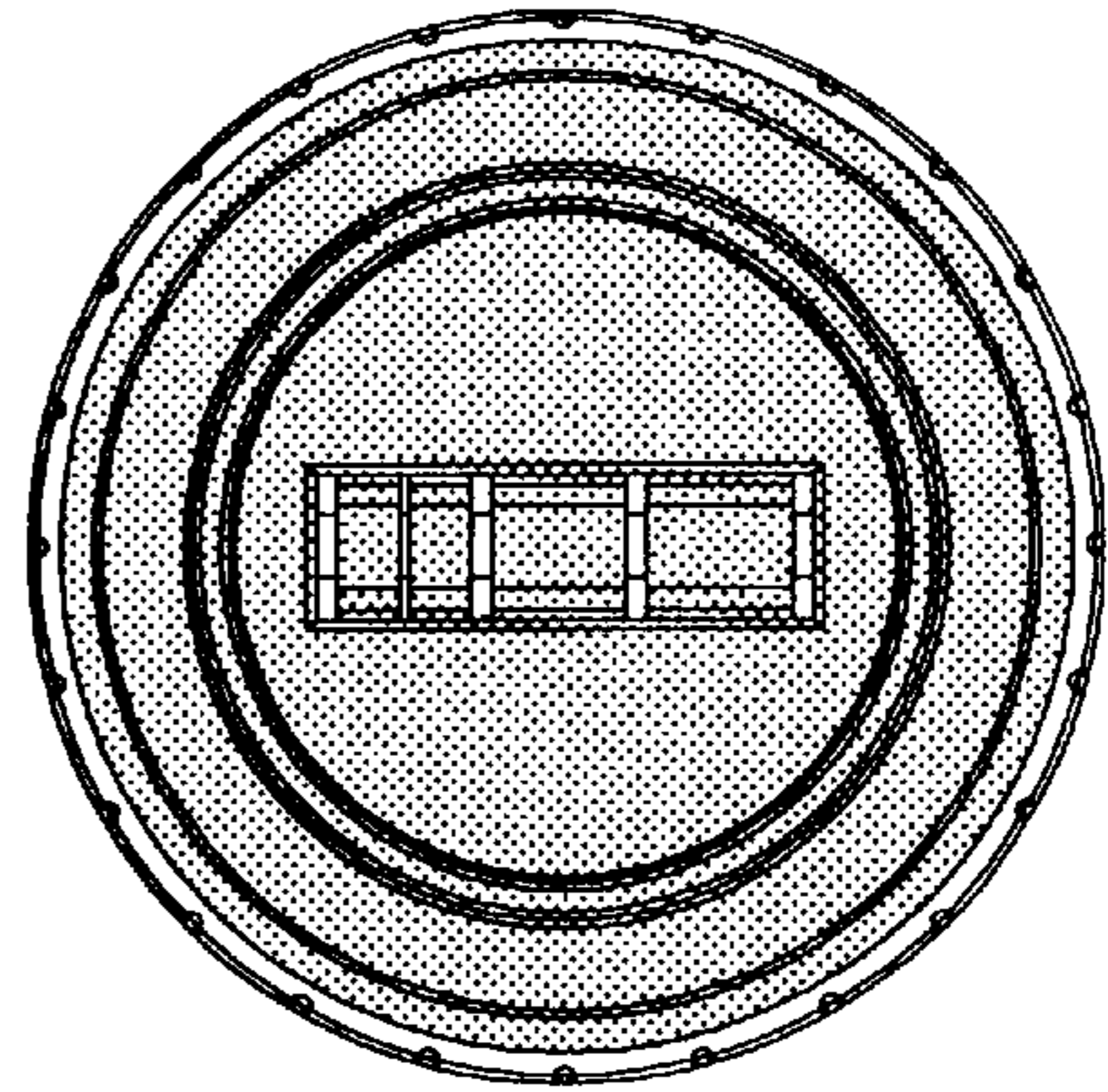


FIG.9

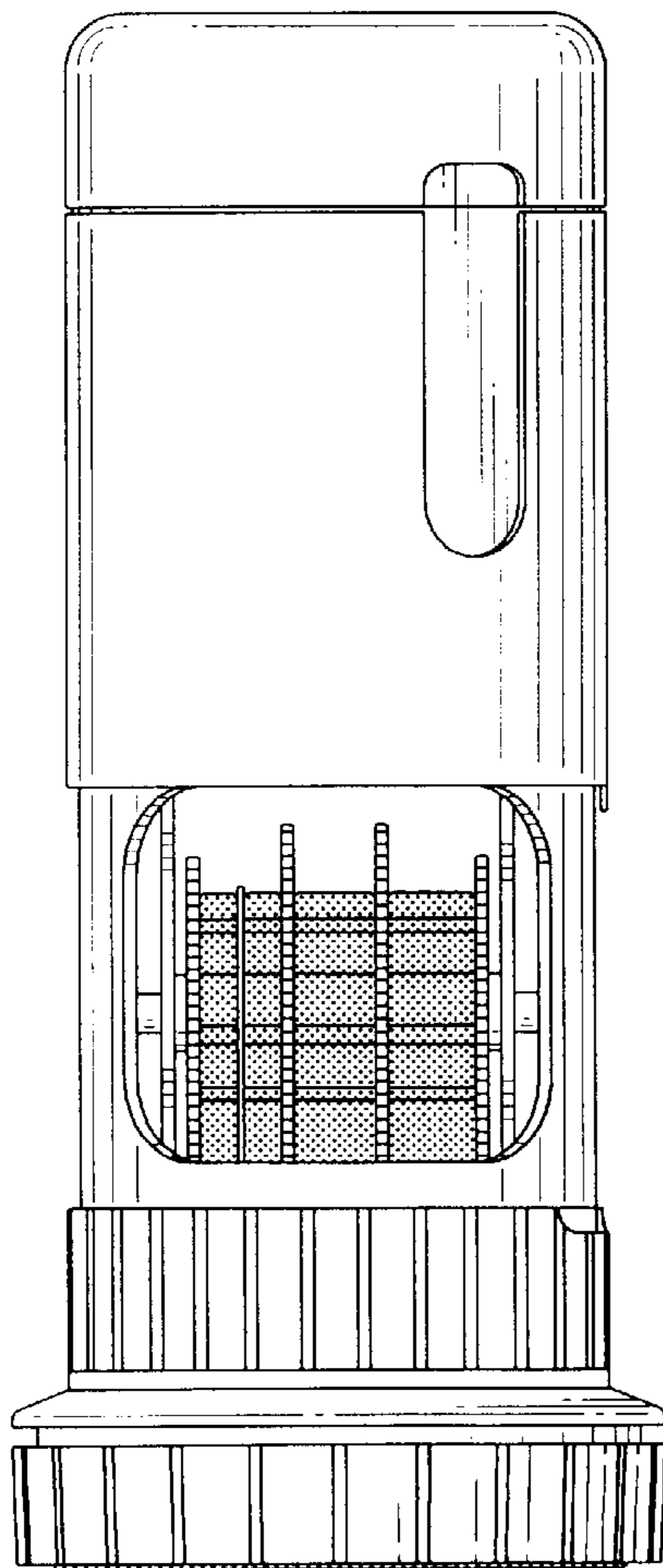


FIG.10

