



US00D446800B1

(12) **United States Design Patent**
Fukushima et al.

(10) **Patent No.: US D446,800 S**

(45) **Date of Patent: ** Aug. 21, 2001**

(54) **VIDEO CAMERA WITH VIDEO TAPE RECORDER**

(75) Inventors: **Hiroyuki Fukushima, Hoya; Yuji Kondoh, Yokohama, both of (JP)**

(73) Assignee: **Canon Kabushiki Kaisha, Tokyo (JP)**

(**) Term: **14 Years**

(21) Appl. No.: **29/133,791**

(22) Filed: **Dec. 8, 2000**

(30) **Foreign Application Priority Data**

Jun. 12, 2000 (JP) 12-015794

(51) **LOC (7) Cl. 16-01**

(52) **U.S. Cl. D16/202; D16/205**

(58) **Field of Search D16/200-206,
D16/208, 209, 217, 218; 348/373-376;
396/535-541**

(56) **References Cited**

U.S. PATENT DOCUMENTS

D. 394,075 * 5/1998 Ninomiya et al. D16/202
D. 396,051 * 7/1998 Mori D16/202

D. 407,097 * 3/1999 Suzuki et al. D16/202
D. 426,843 * 6/2000 Tanaka D16/202
D. 429,267 * 8/2000 Sumita et al. D16/202
D. 429,742 8/2000 Fukushima D16/202
D. 431,582 * 10/2000 Sumita et al. D16/202

* cited by examiner

Primary Examiner—Adir Aronovich

(74) *Attorney, Agent, or Firm—Fitzpatrick, Cella, Harper & Scinto*

(57) **CLAIM**

The ornamental design for a video camera with video tape recorder, as shown and described.

DESCRIPTION

FIG. 1 is a front view of a video camera with video tape recorder showing our new design;
FIG. 2 is a rear view thereof;
FIG. 3 is a top plan view thereof;
FIG. 4 is a bottom plan view thereof;
FIG. 5 is a left side view thereof;
FIG. 6 is a right side view thereof; and,
FIG. 7 is a perspective view thereof.

1 Claim, 5 Drawing Sheets

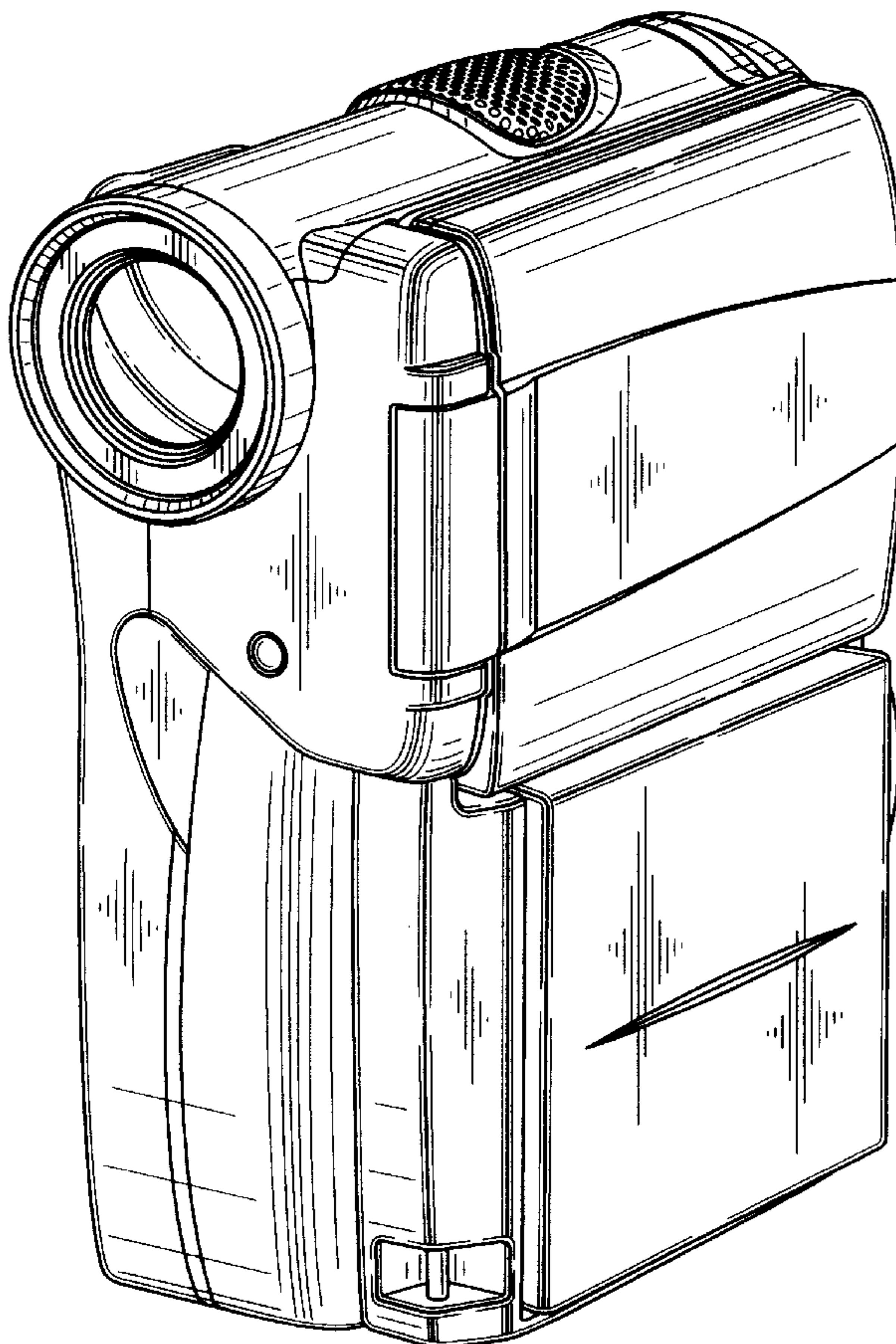


FIG. 1

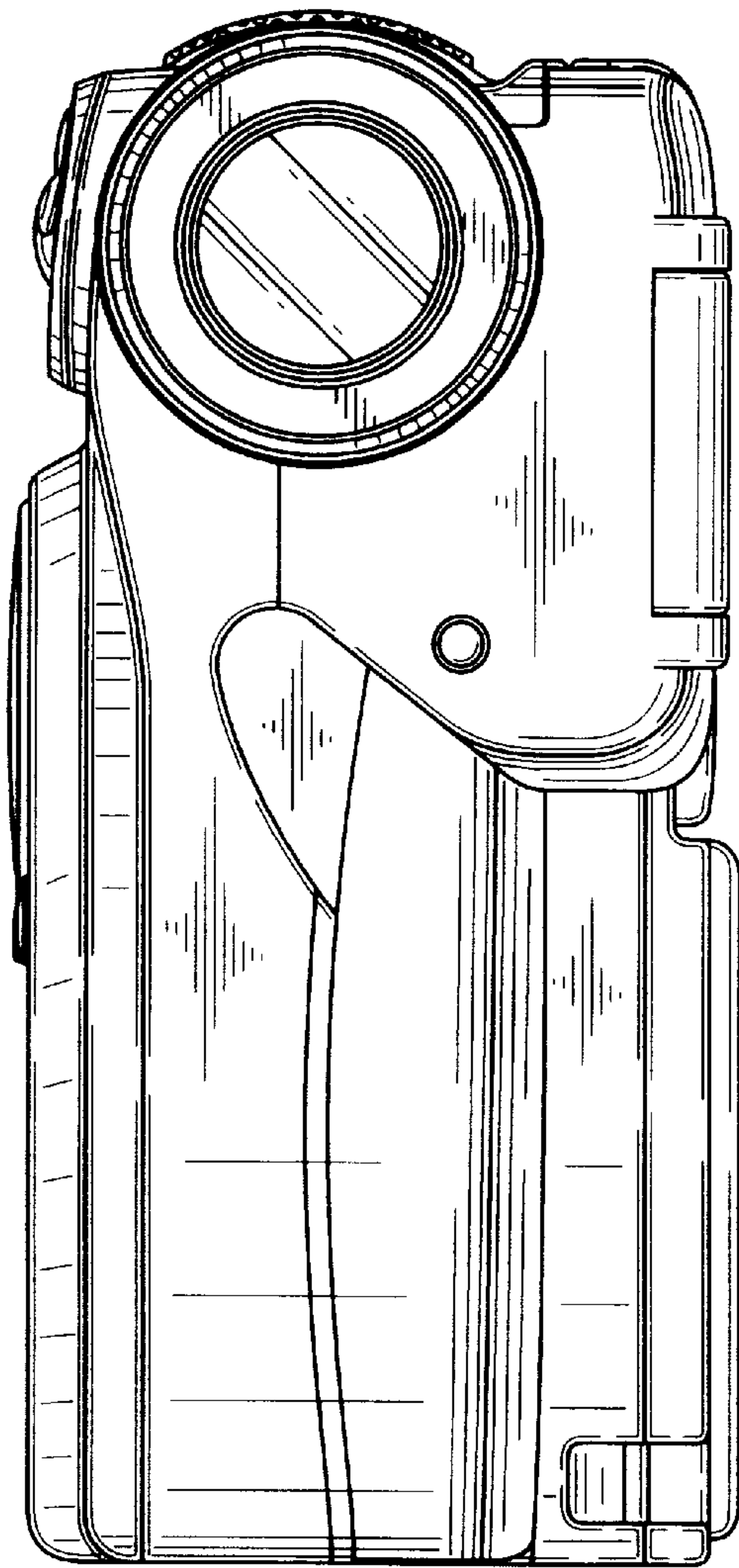


FIG. 2

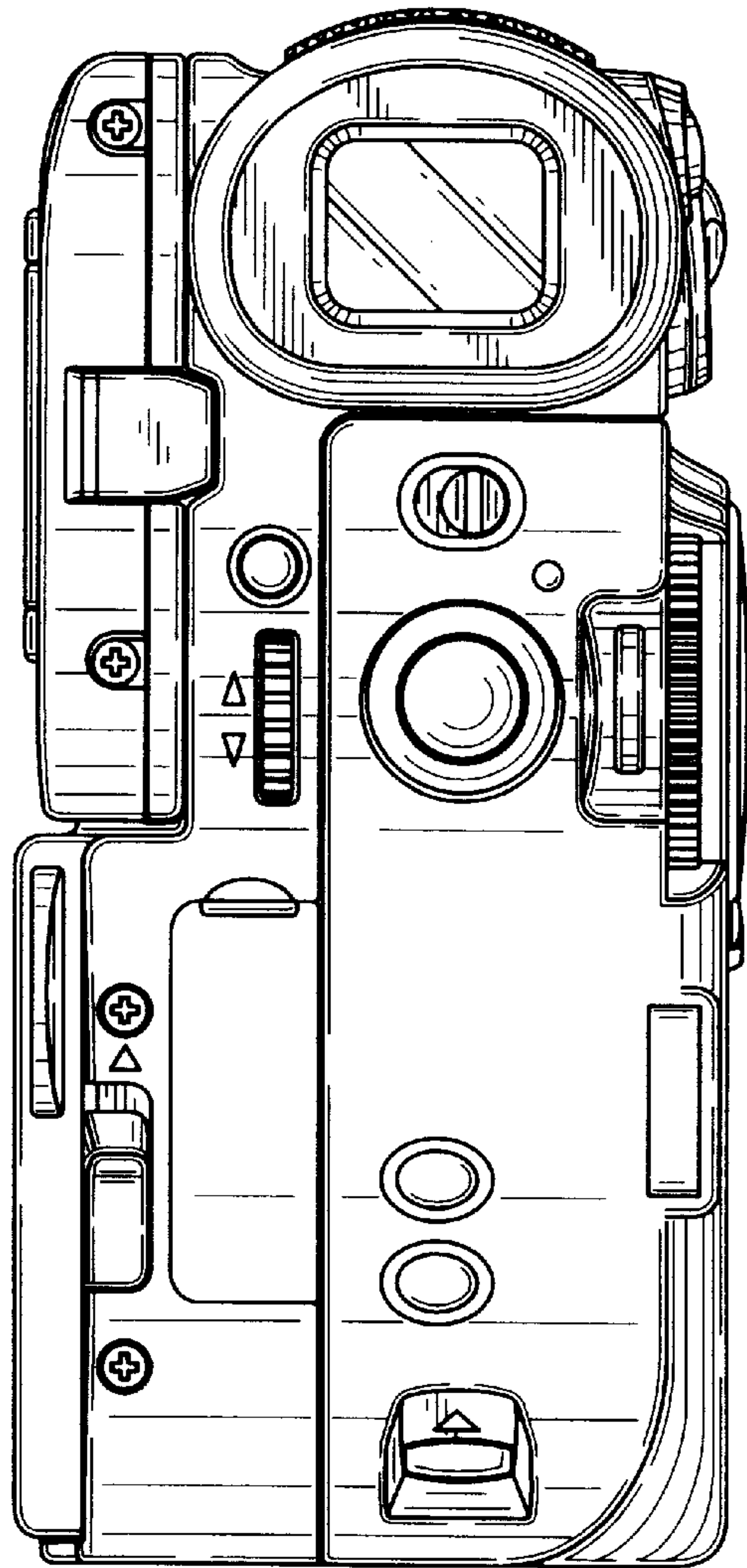


FIG. 3

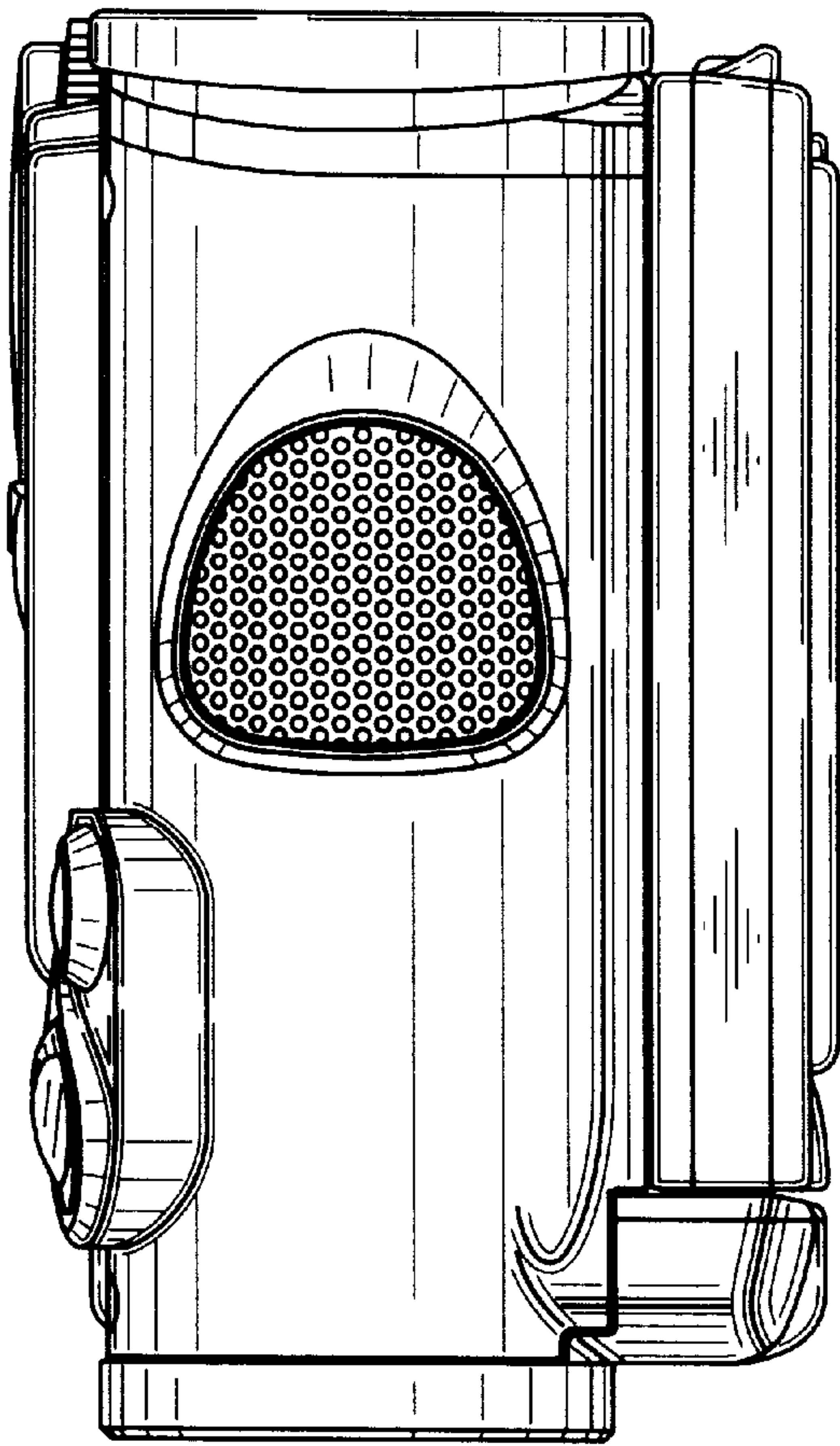


FIG. 4

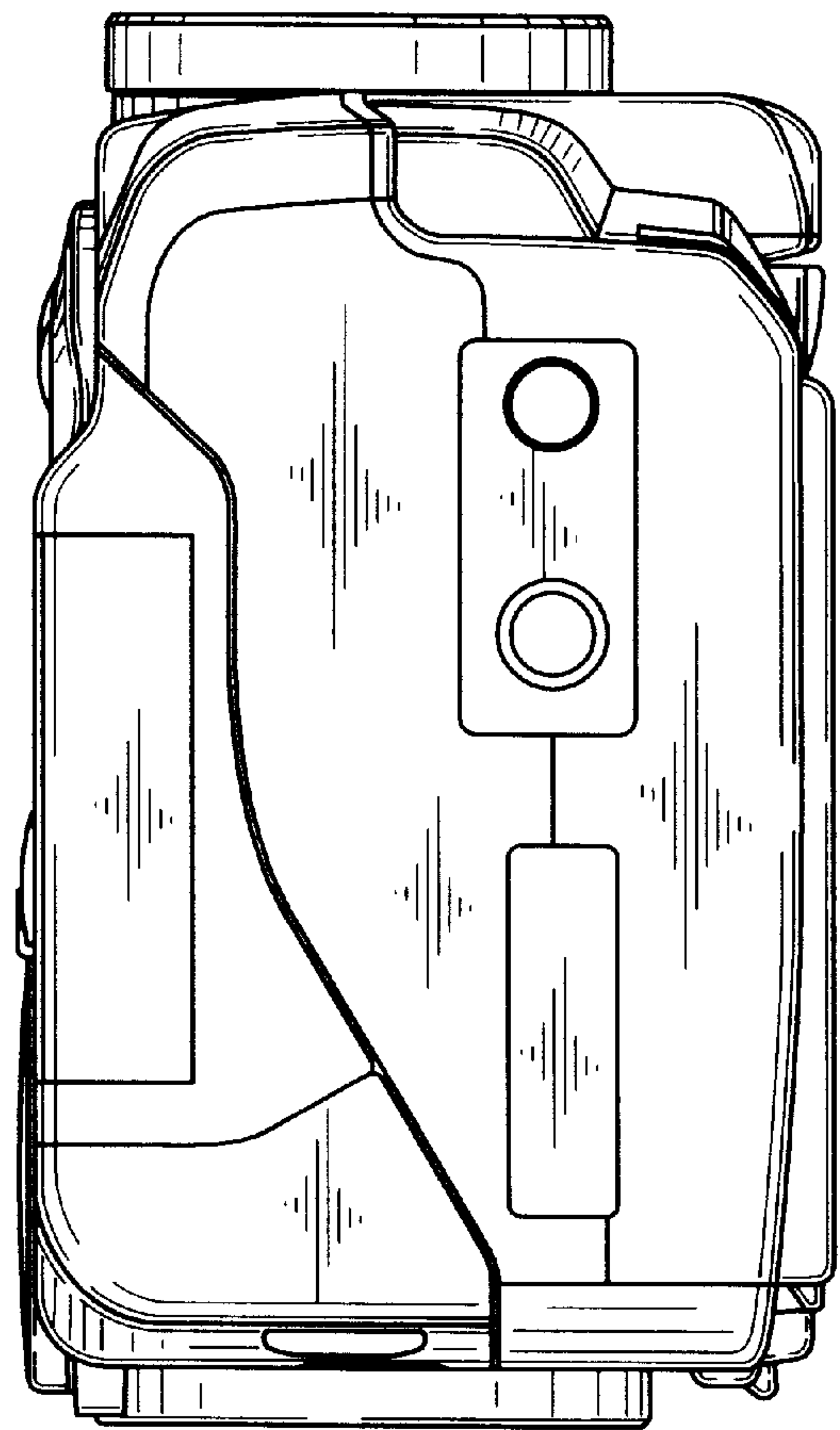


FIG. 5

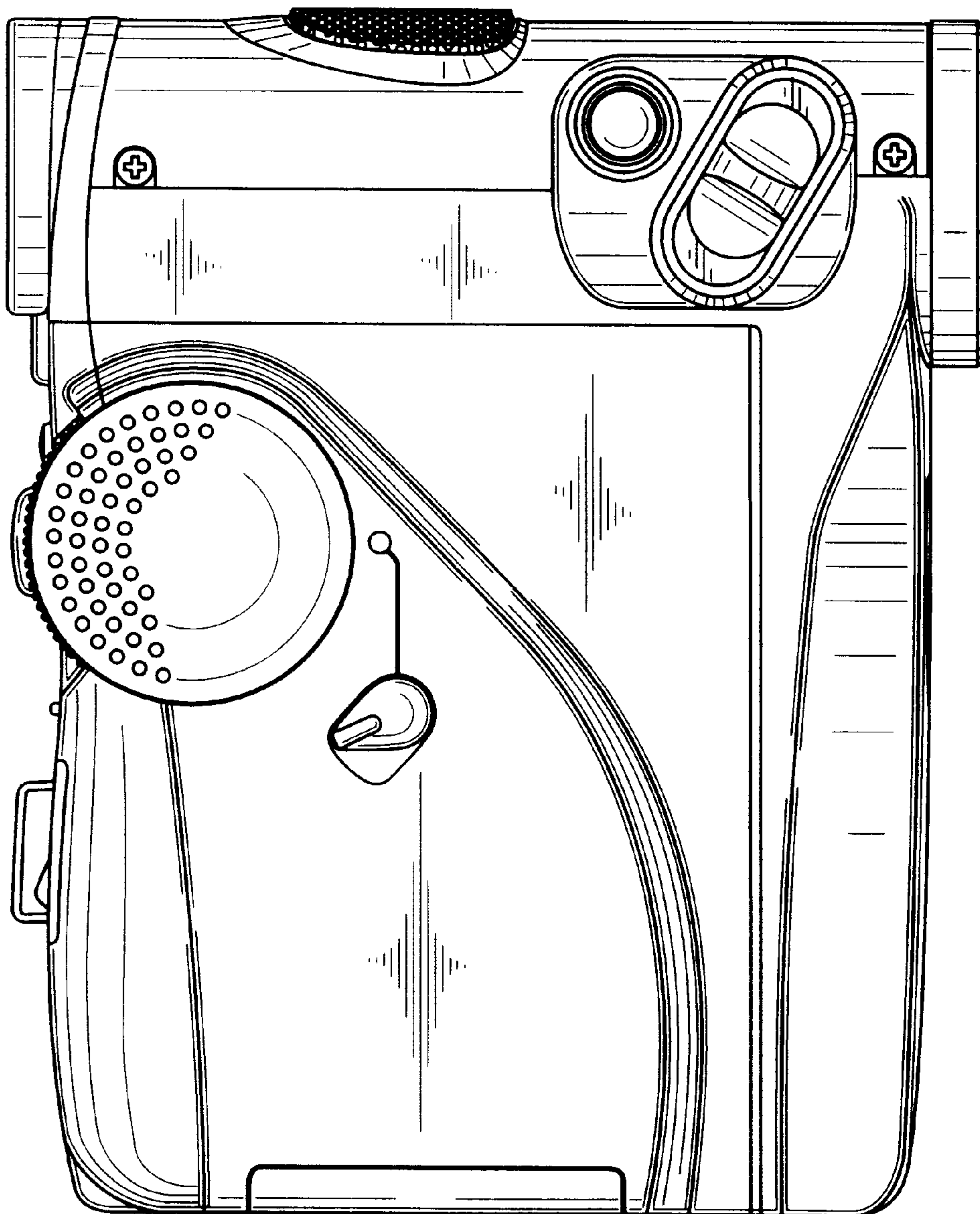


FIG. 6

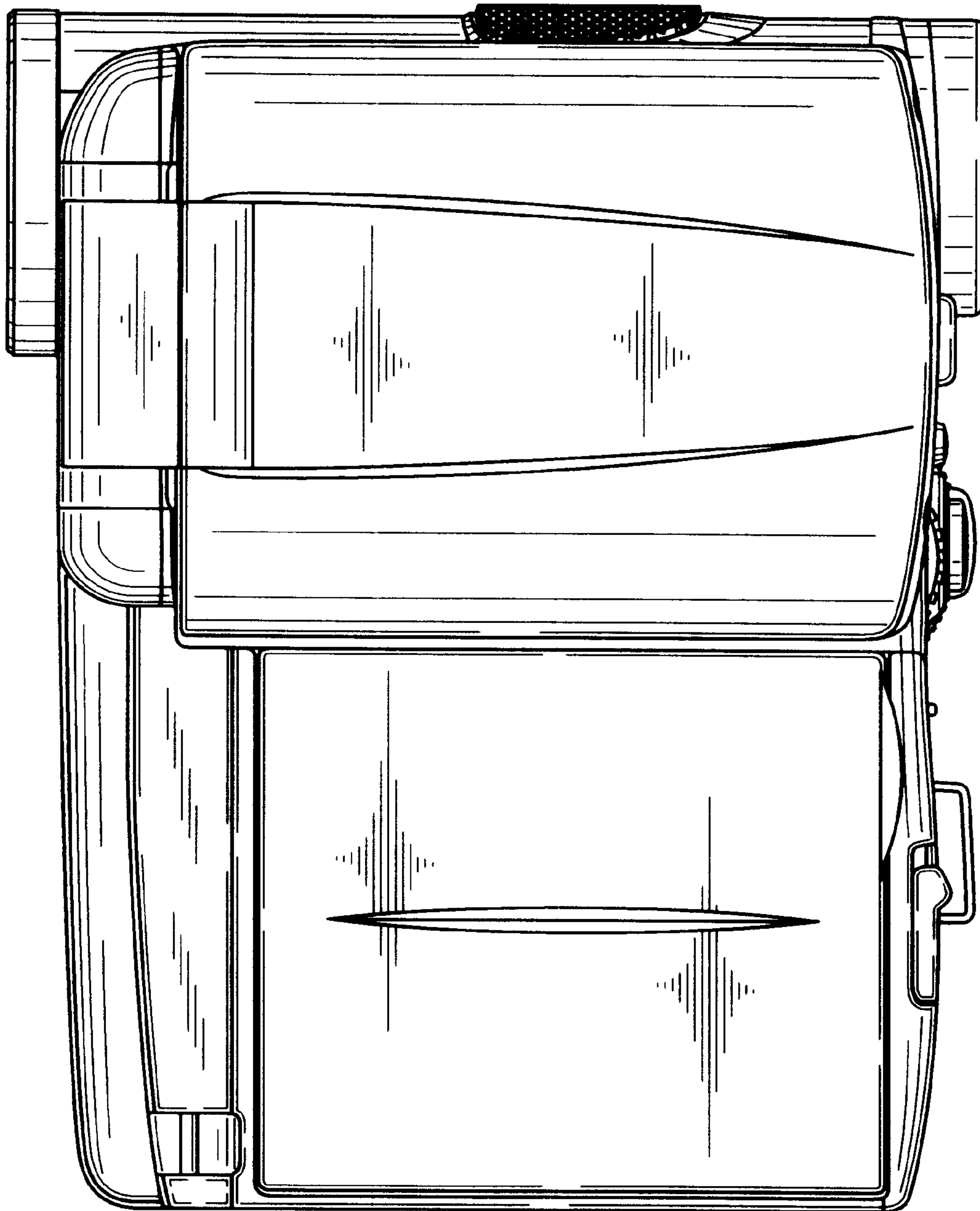


FIG. 7

